

[54] **ASPIRATOR FOR EMERGENCY  
CARDIO-PULMONARY RESUSCITATION**

[76] **Inventor: Bernhard A. Siemens, AM**  
Handweisergraben Nr. 13 Postfach  
1262, 3406 Bovenden, Fed. Rep. of  
Germany

[\*\*] **Term: 14 Years**

[21] **Appl. No.: 554,593**

[22] **Filed: Jul. 19, 1990**

**Related U.S. Application Data**

[63] Continuation of Ser. No. 378,231, May 19, 1989, abandoned.  
[52] **U.S. Cl. .... D24/110**  
[58] **Field of Search ..... D24/34, 62; 128/203.11,**  
128/201.22, 202.28, 206.25, 207.16, 207.18

[56] **References Cited**  
**U.S. PATENT DOCUMENTS**

D. 301,618 6/1989 Barros ..... D24/62  
D. 311,607 10/1990 Howells ..... D24/62 X  
3,057,347 10/1962 McGee ..... 128/202.28  
3,538,913 11/1970 Stolfi ..... 128/202.28

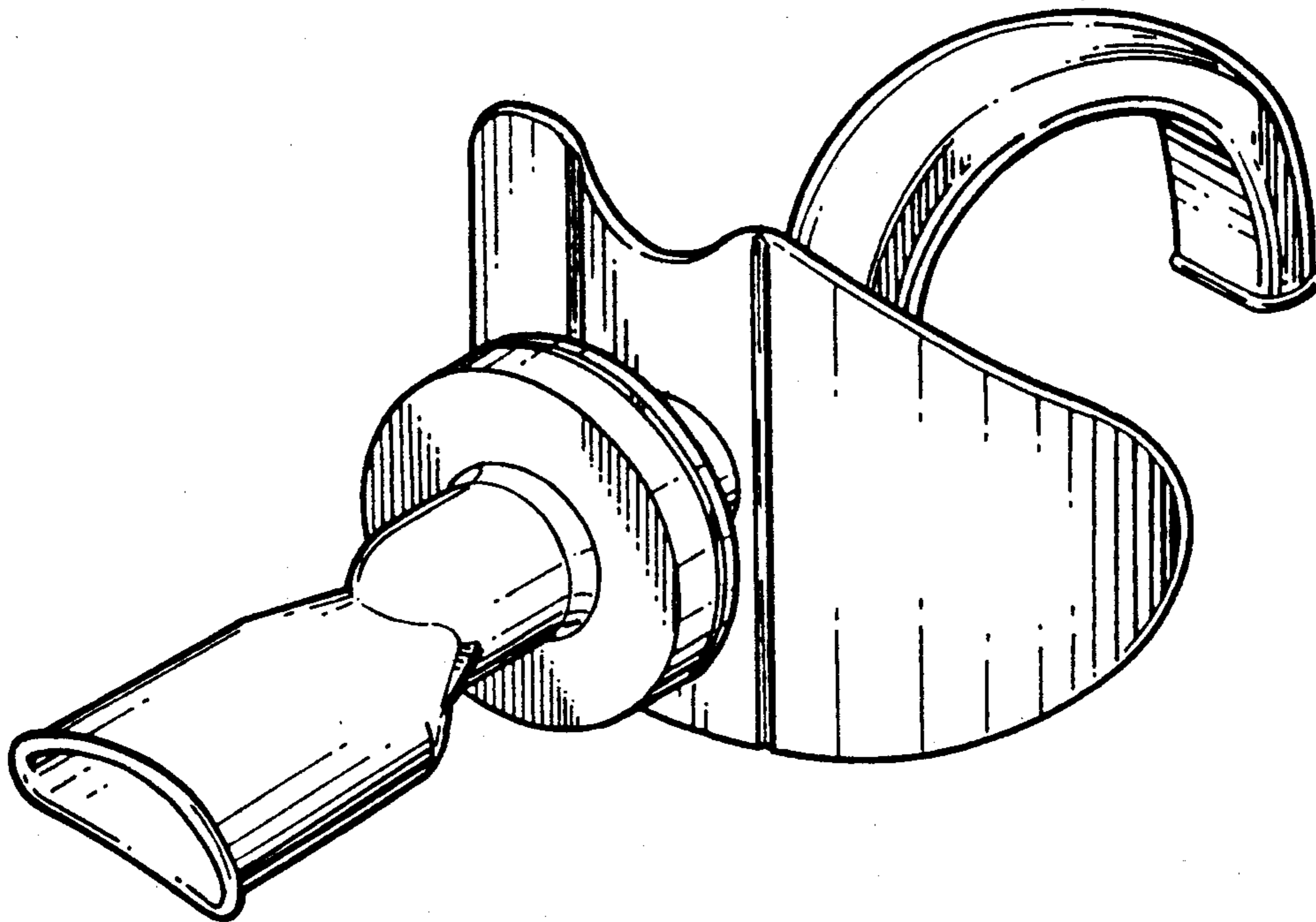
*Primary Examiner—Stella Reid*  
*Attorney, Agent, or Firm—Witherspoon & Hargest*

[57] **CLAIM**

The ornamental design for an aspirator for emergency cardio-pulmonary resuscitation, as shown and described.

**DESCRIPTION**

FIG. 1 is a front perspective view of an aspirator for emergency cardio-pulmonary resuscitation, showing my new design;  
FIG. 2 is a front elevational view thereof;  
FIG. 3 is a side elevational view thereof, the opposite side being identical;  
FIG. 4 is a bottom plan view thereof; and  
FIG. 5 is a cross-sectional view taken along line I—I of FIG. 2.  
Both sides are the same.



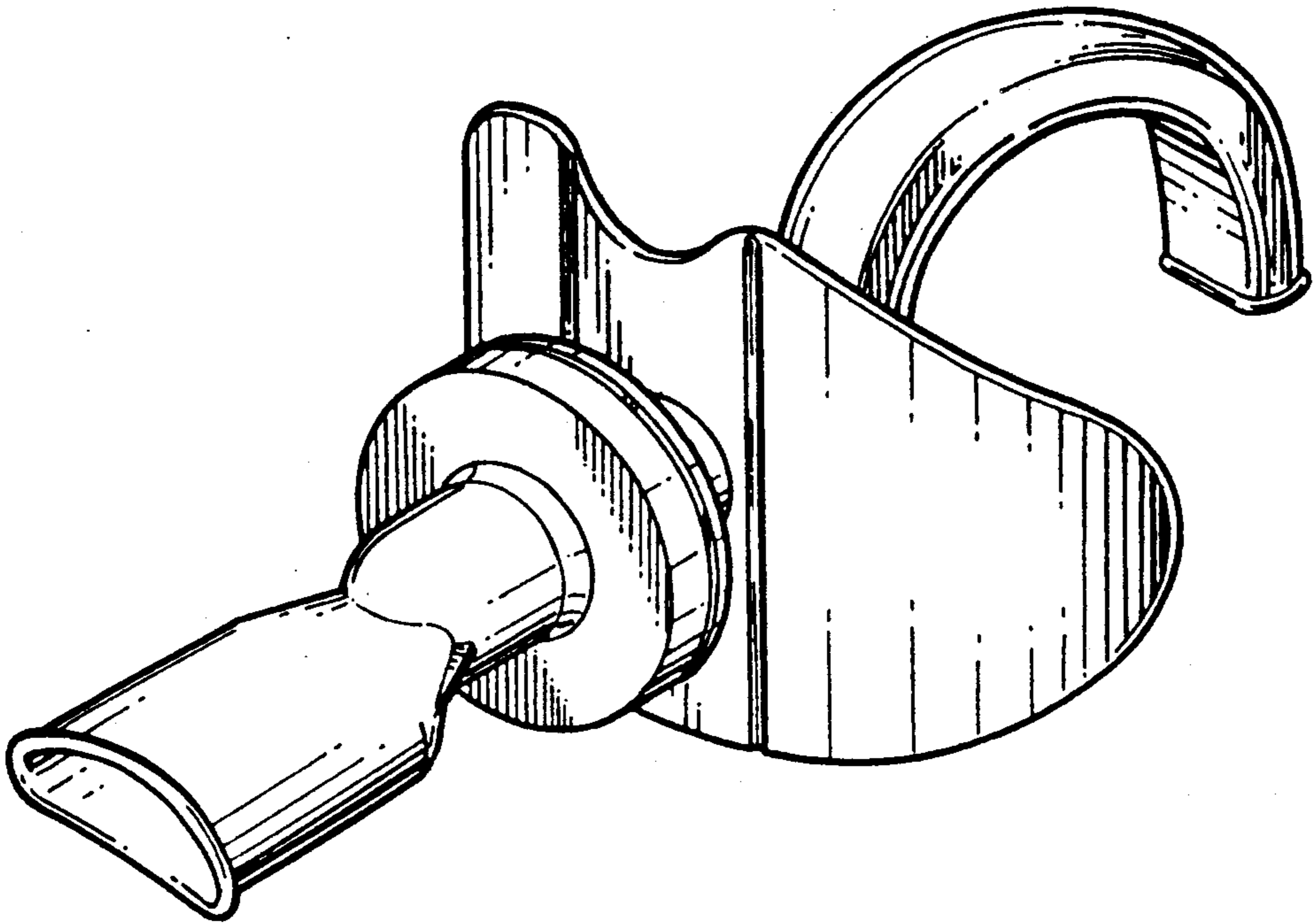


FIG. 1

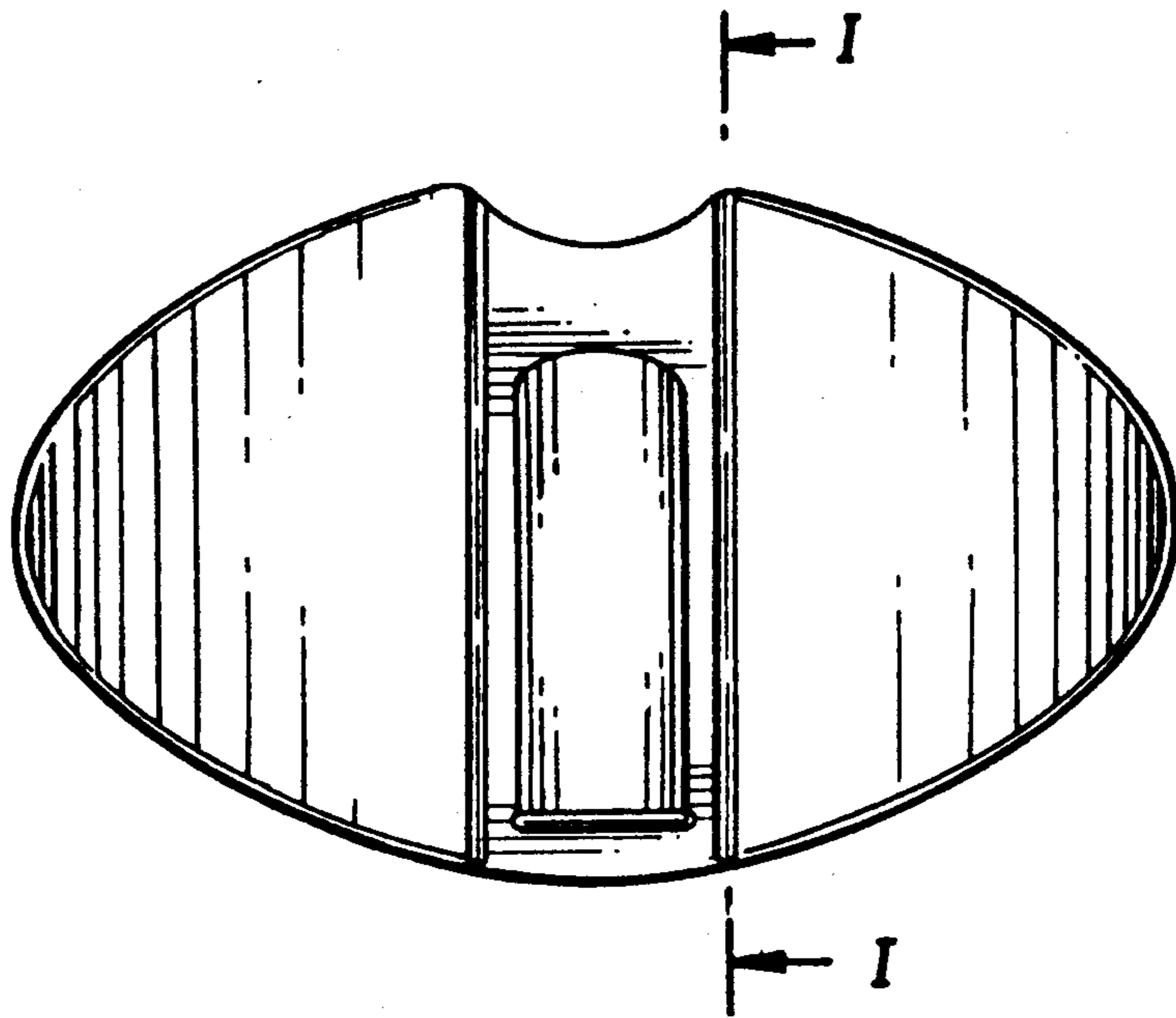


FIG. 2

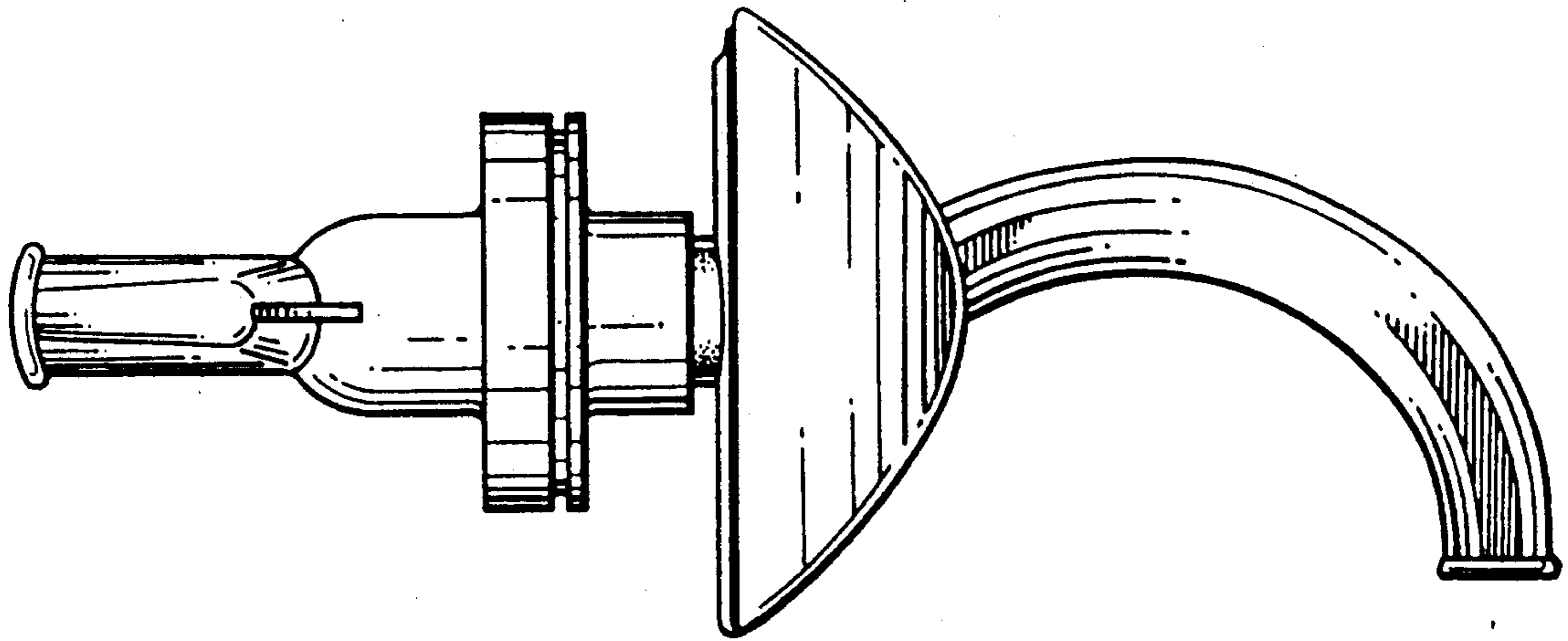


FIG. 3

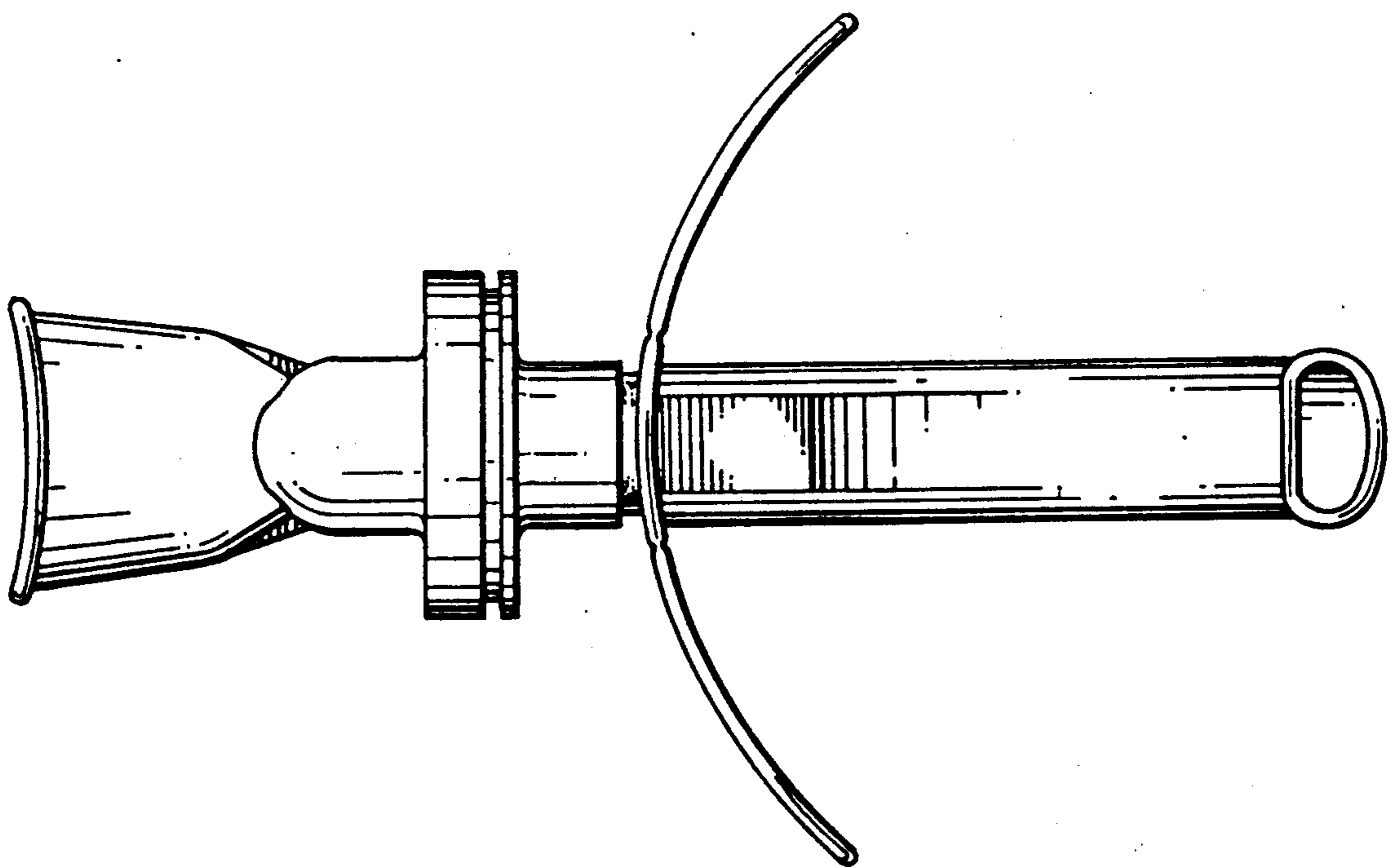
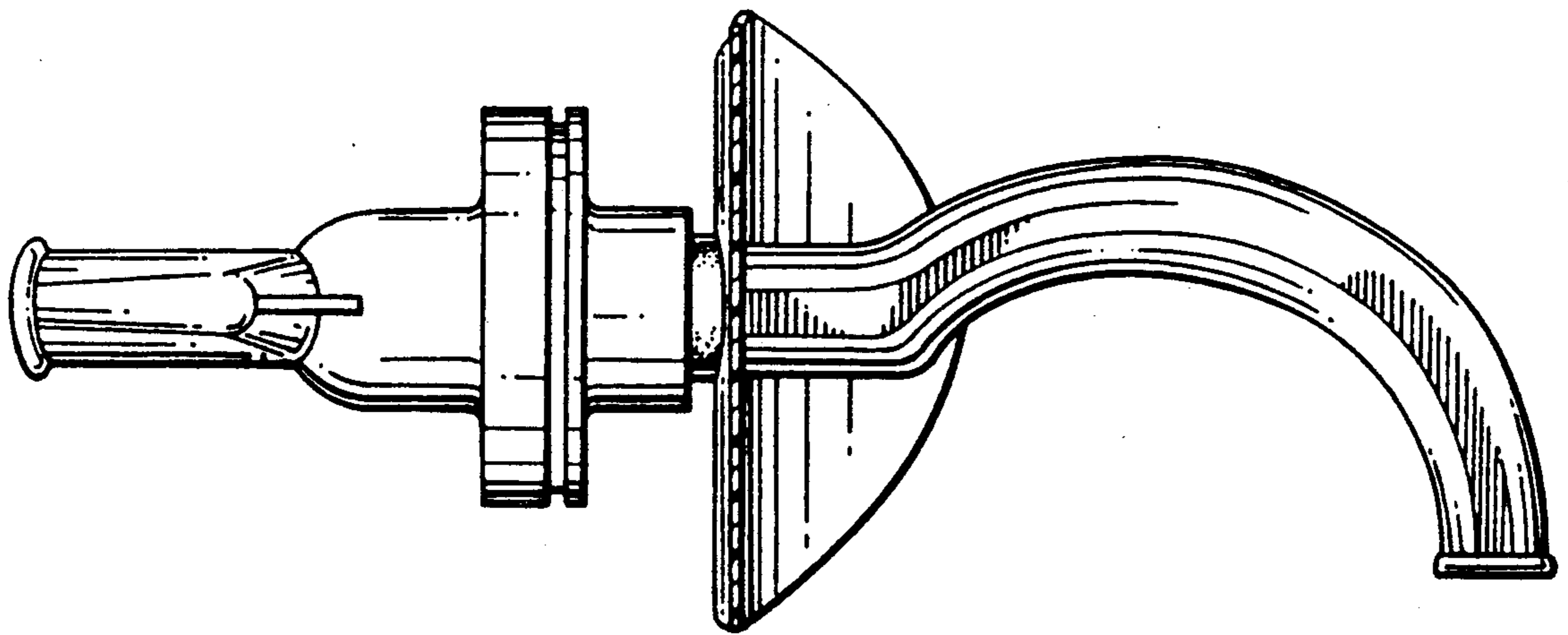


FIG. 4



*FIG. 5*