

[54] CONVECTOR TRAY FOR USE WITH AIR CONDITIONERS OR SIMILAR ARTICLES

[76] Inventor: John T. Sullivan, 3910 Madison St., Hyattsville, Md. 20781

[\*\*] Term: 14 Years

[21] Appl. No.: 259,004

[22] Filed: Oct. 17, 1988

[52] U.S. Cl. .... D23/354

[58] Field of Search ..... D23/354, 386, 499; D15/89; 62/272, 285, 289, 291

[56] References Cited

U.S. PATENT DOCUMENTS

- 4,597,269 7/1986 Kim ..... 62/286
- 4,783,971 11/1988 Alba ..... 62/291

OTHER PUBLICATIONS

"Introducing CAPCO's New Convector Trays . . ." (3 pages) published prior to Oct. 1988.

Primary Examiner—James M. Gandy  
Attorney, Agent, or Firm—Diller, Ramik & Wight

[57] CLAIM

The ornamental design for a convector tray for use with air conditioners or similar articles, as shown and described.

DESCRIPTION

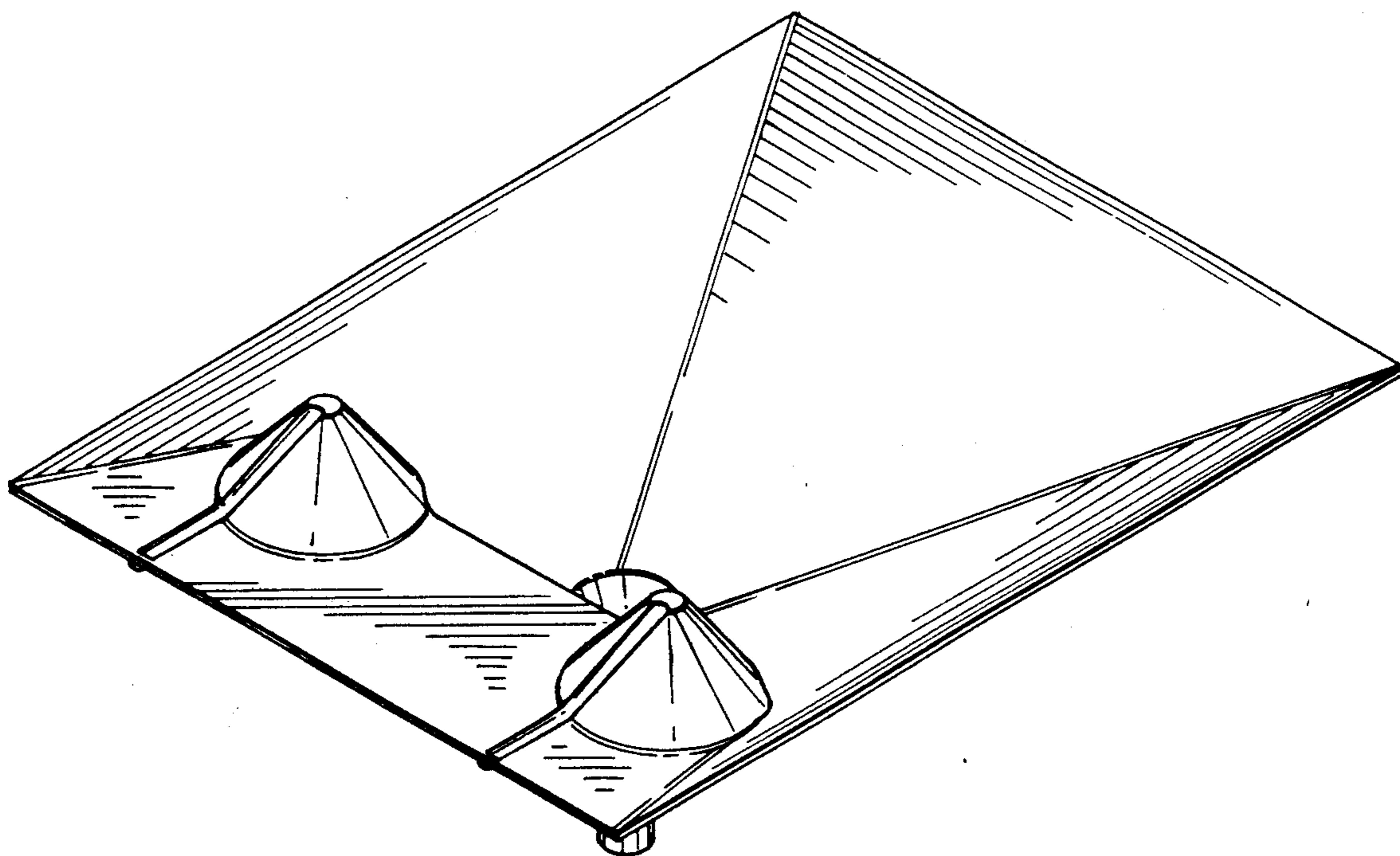
FIG. 1 is a top perspective view of a convector tray for use with air conditioners or similar articles showing my new design;

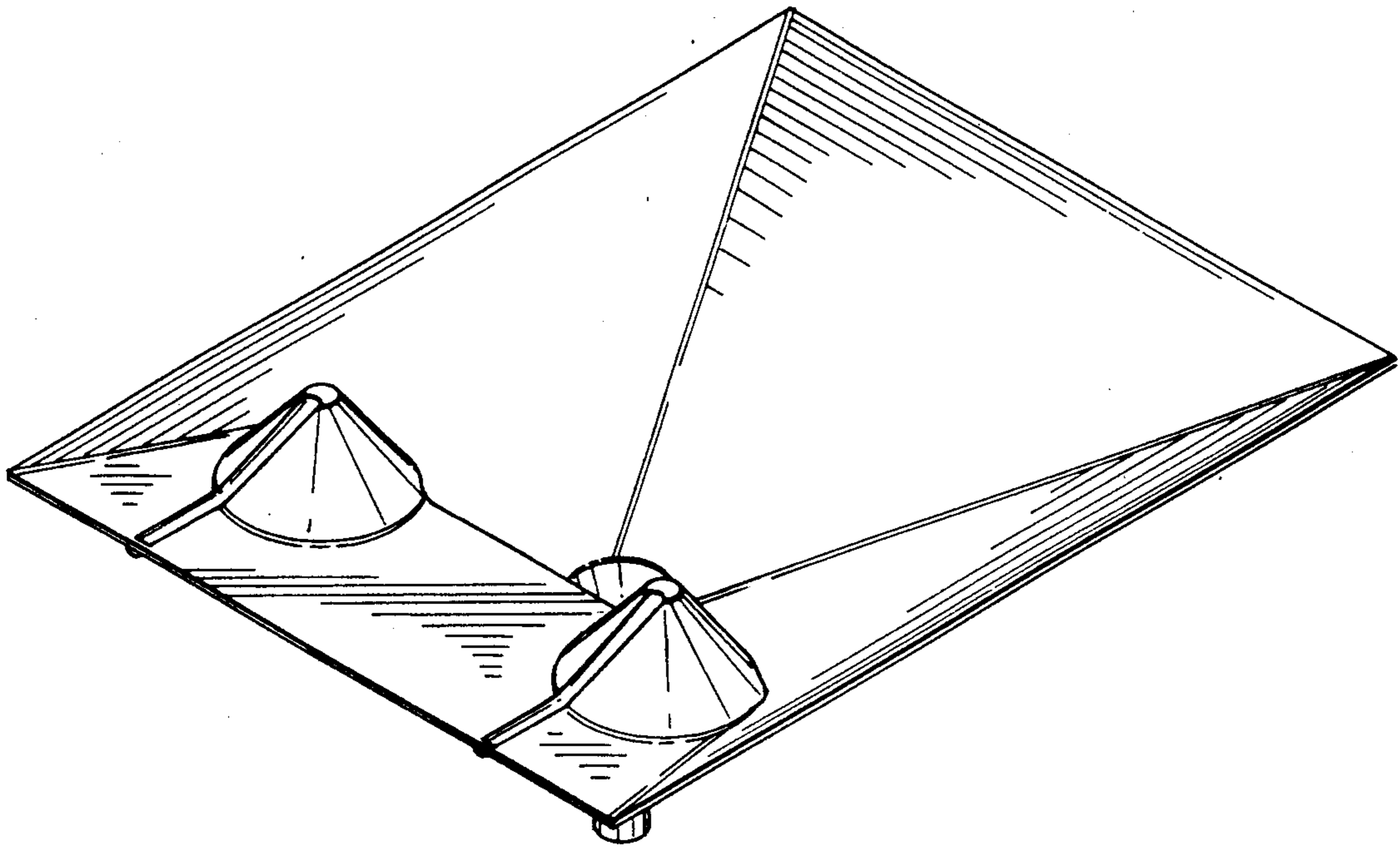
FIG. 2 is a bottom perspective view thereof;

FIG. 3 is a right side elevational view thereof, the opposite side being substantially a mirror image;

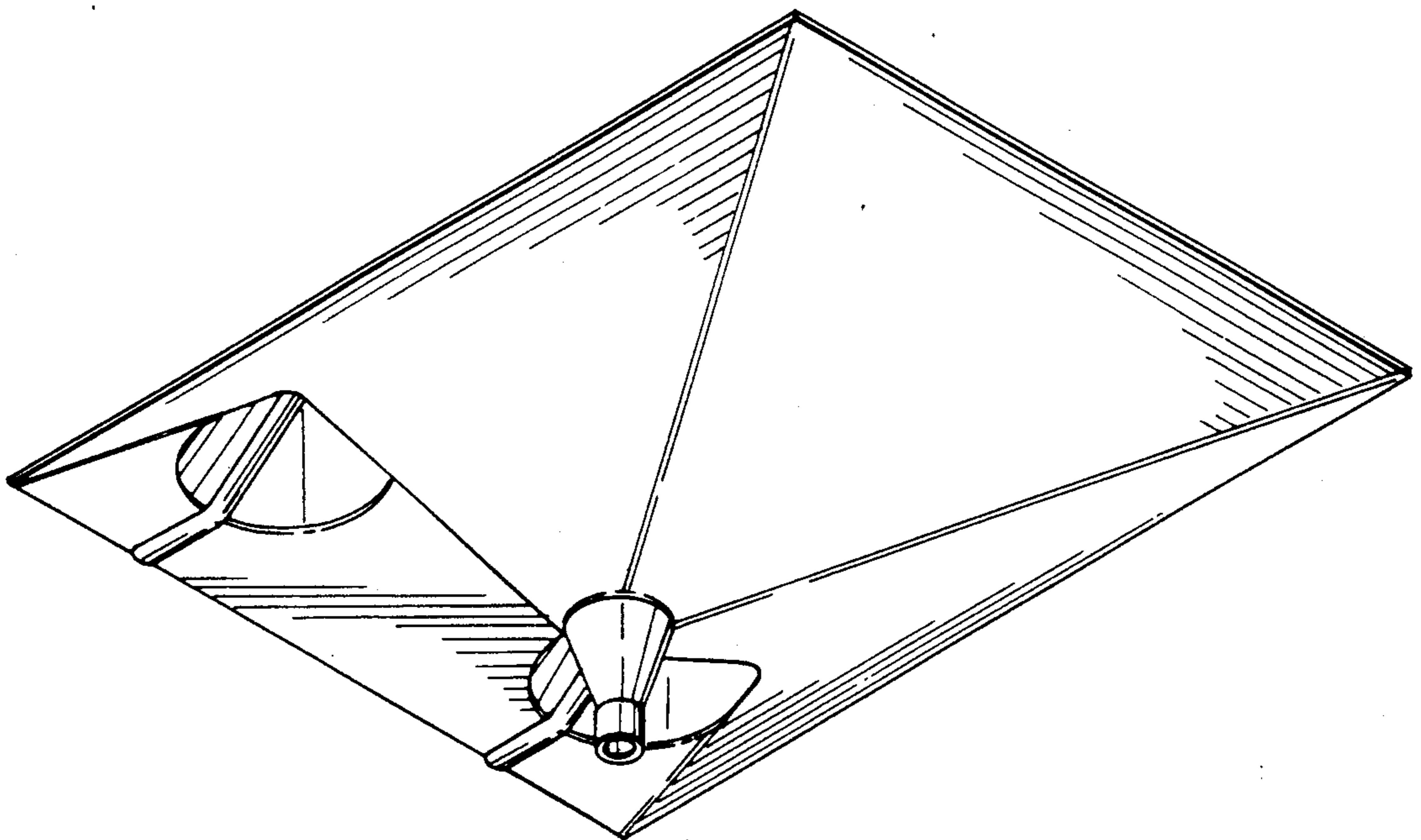
FIG. 4 is a front elevation view thereof; and

FIG. 5 is a rear elevation view thereof.





*FIG. 1*



*FIG. 2*

FIG. 3

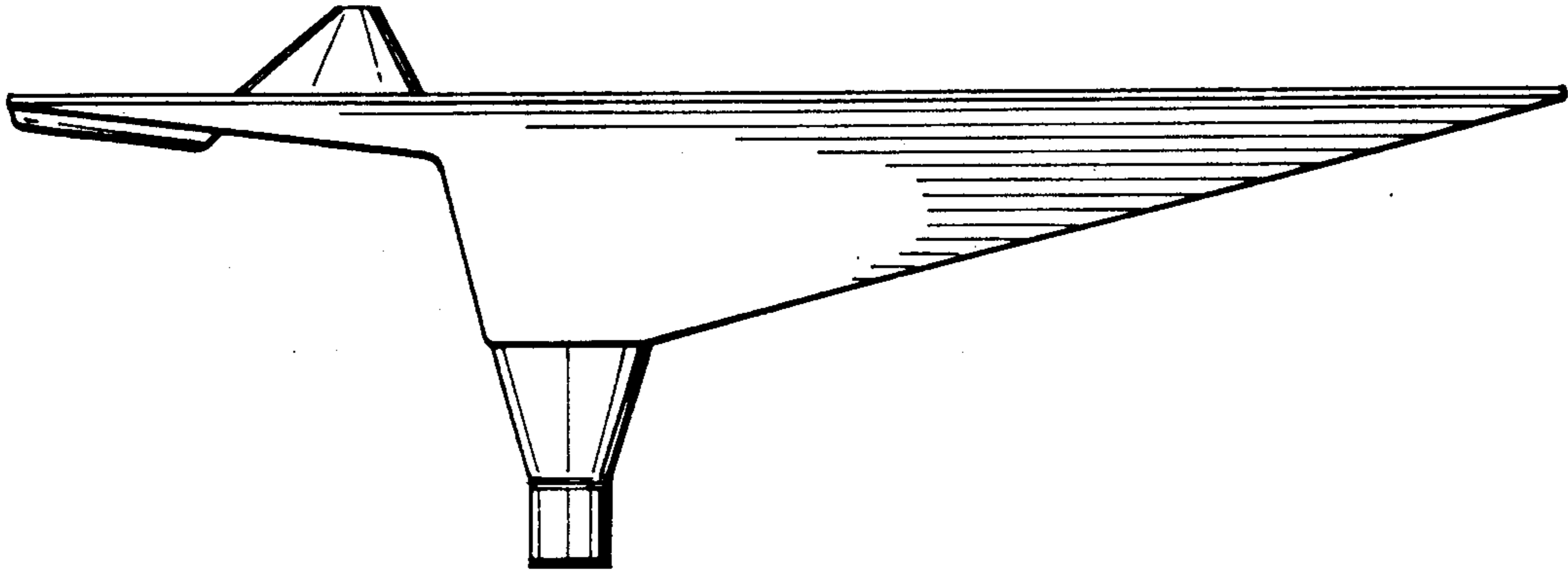


FIG. 4

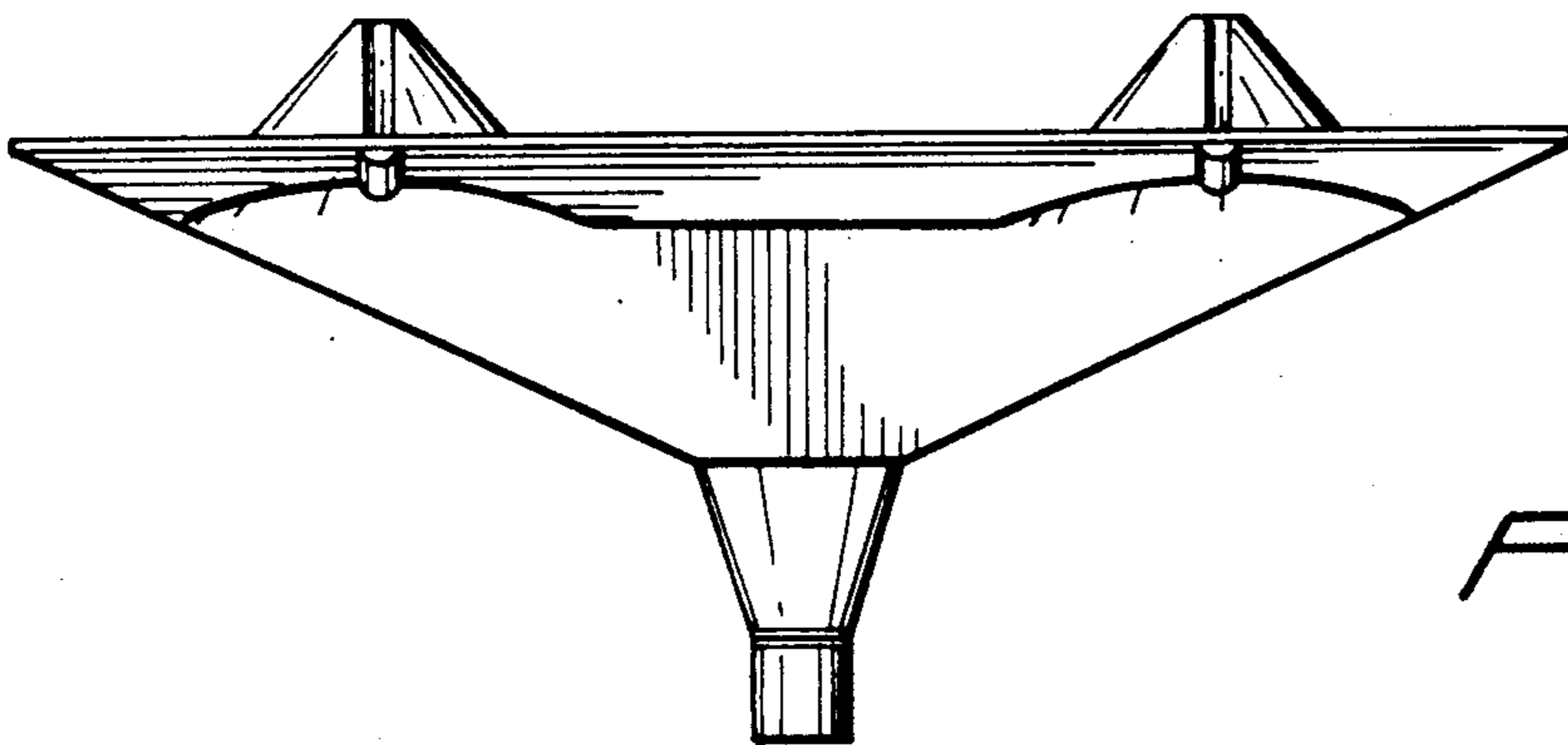
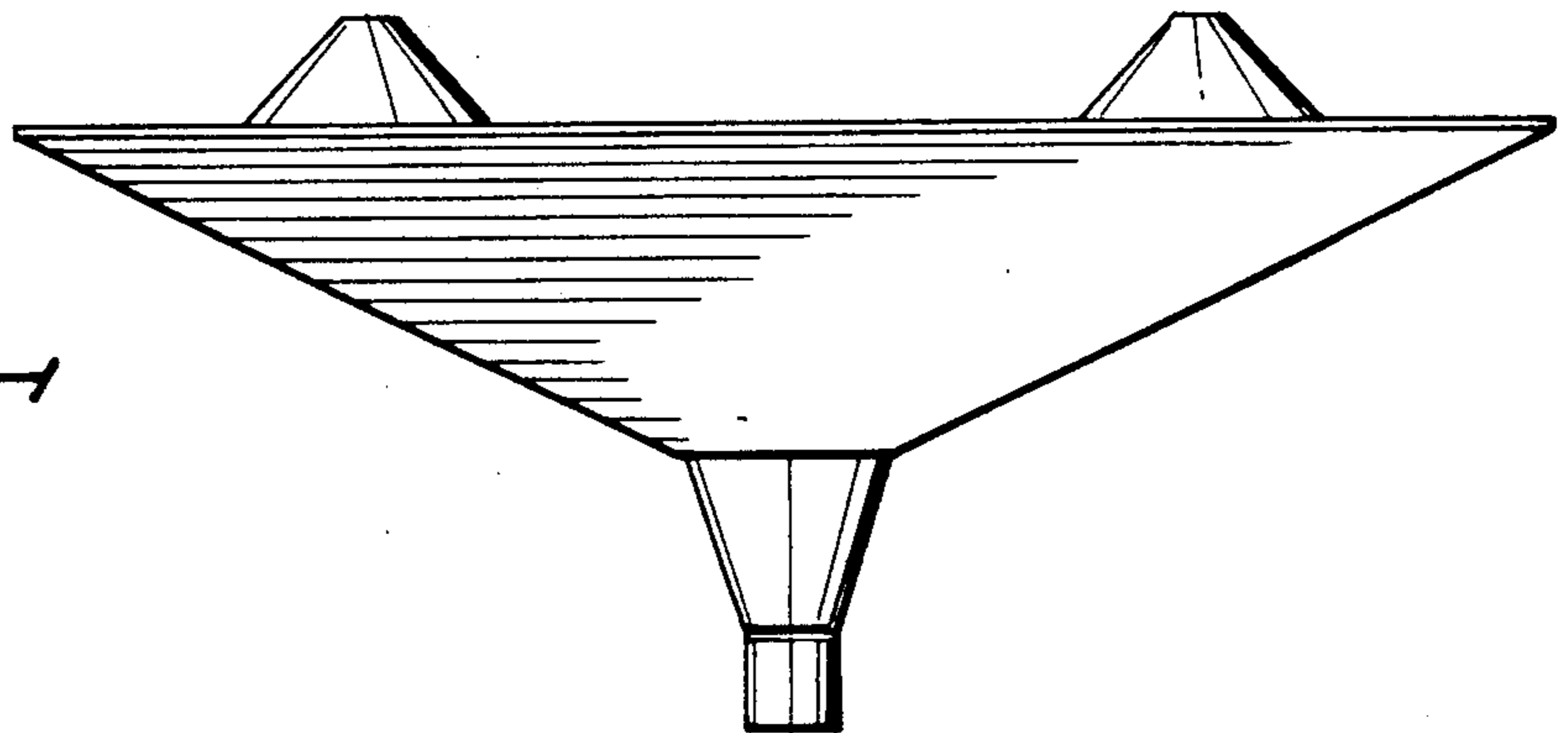


FIG. 5