

[54] COVER FOR A TRANSPORT REFRIGERATION UNIT

[75] Inventors: Peter B. Allard, Minnetonka; Gregory D. Bleck, Chaska, both of Minn.

[73] Assignee: Thermo King Corporation, Minneapolis, Minn.

[**] Term: 14 Years

[21] Appl. No.: 404,374

[22] Filed: Sep. 7, 1989

[52] U.S. Cl. D23/325

[58] Field of Search D23/325; 296/180.4; 62/239

[56] References Cited

U.S. PATENT DOCUMENTS

- D. 226,087 1/1973 Forsty et al. D23/325
- D. 252,468 7/1979 Seipp D23/325

- D. 266,870 11/1982 Allard et al. D23/325
- D. 283,437 4/1986 Neimy et al. D23/325
- D. 309,346 7/1990 Allard et al. D23/325
- D. 310,711 9/1990 Welch et al. D23/325
- 3,959,985 6/1976 Schulze, Sr. 62/239
- 4,811,569 3/1989 Welch et al. 62/239

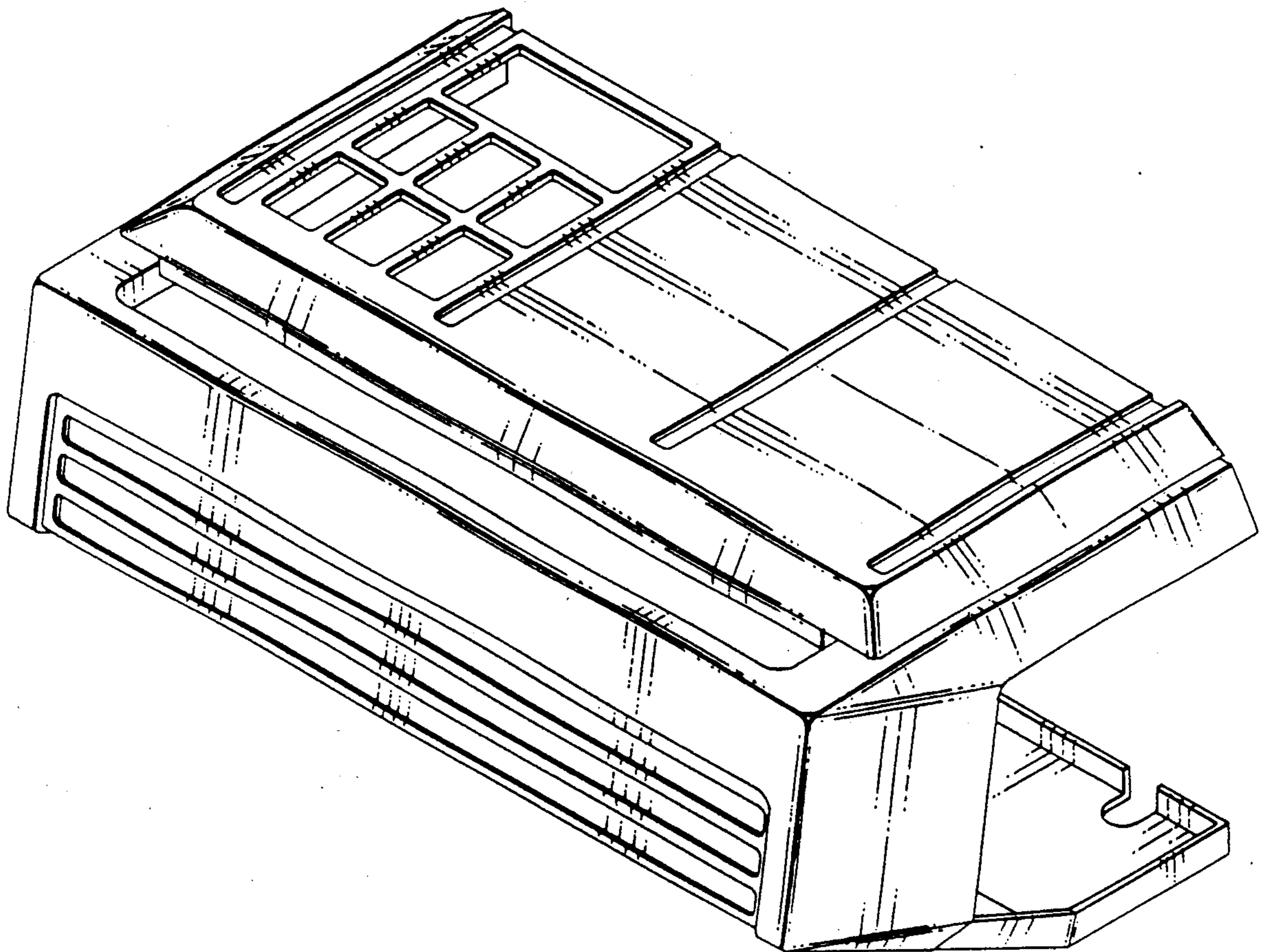
Primary Examiner—James M. Gandy
Assistant Examiner—Lisa Lichtenstein
Attorney, Agent, or Firm—D. R. Lackey

[57] CLAIM

The ornamental design of a cover for a transport refrigeration unit, as shown and described.

DESCRIPTION

FIG. 1 is a perspective view of a cover for a transport refrigeration unit showing our new design; FIG. 2 is an enlarged front elevational view thereof; FIG. 3 is an enlarged top plan view thereof; FIG. 4 is an enlarged bottom plan view thereof; and FIG. 5 is an enlarged side elevational view thereof, the opposite side being identical thereto.



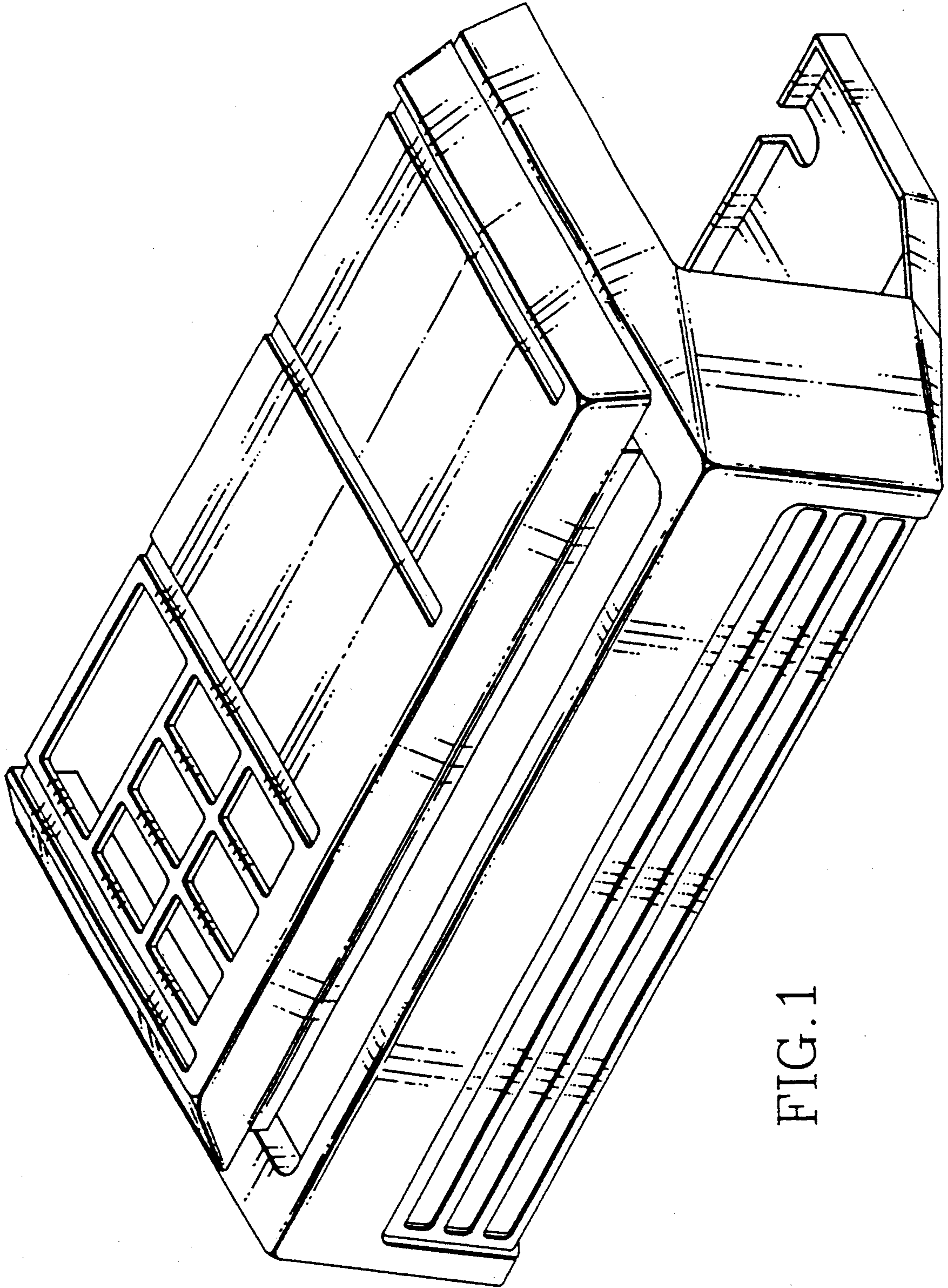


FIG. 1

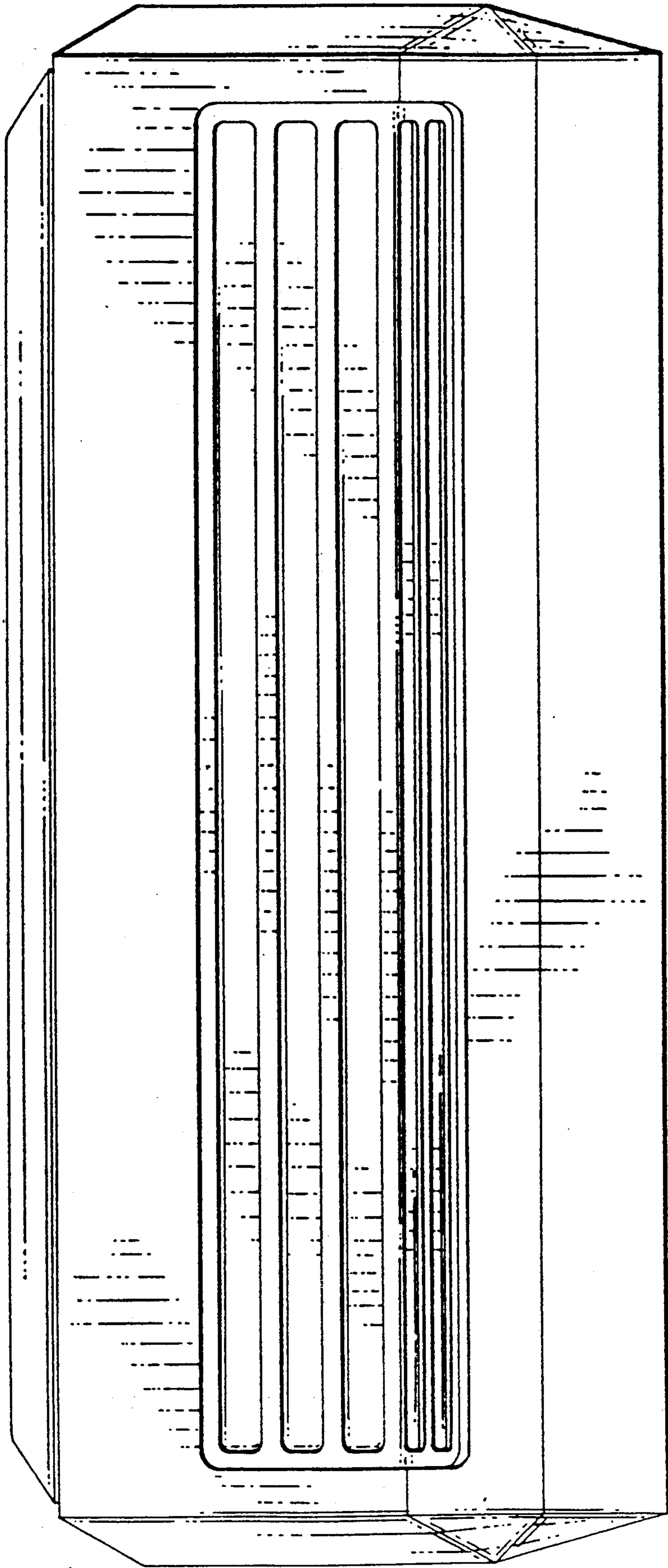


FIG. 2

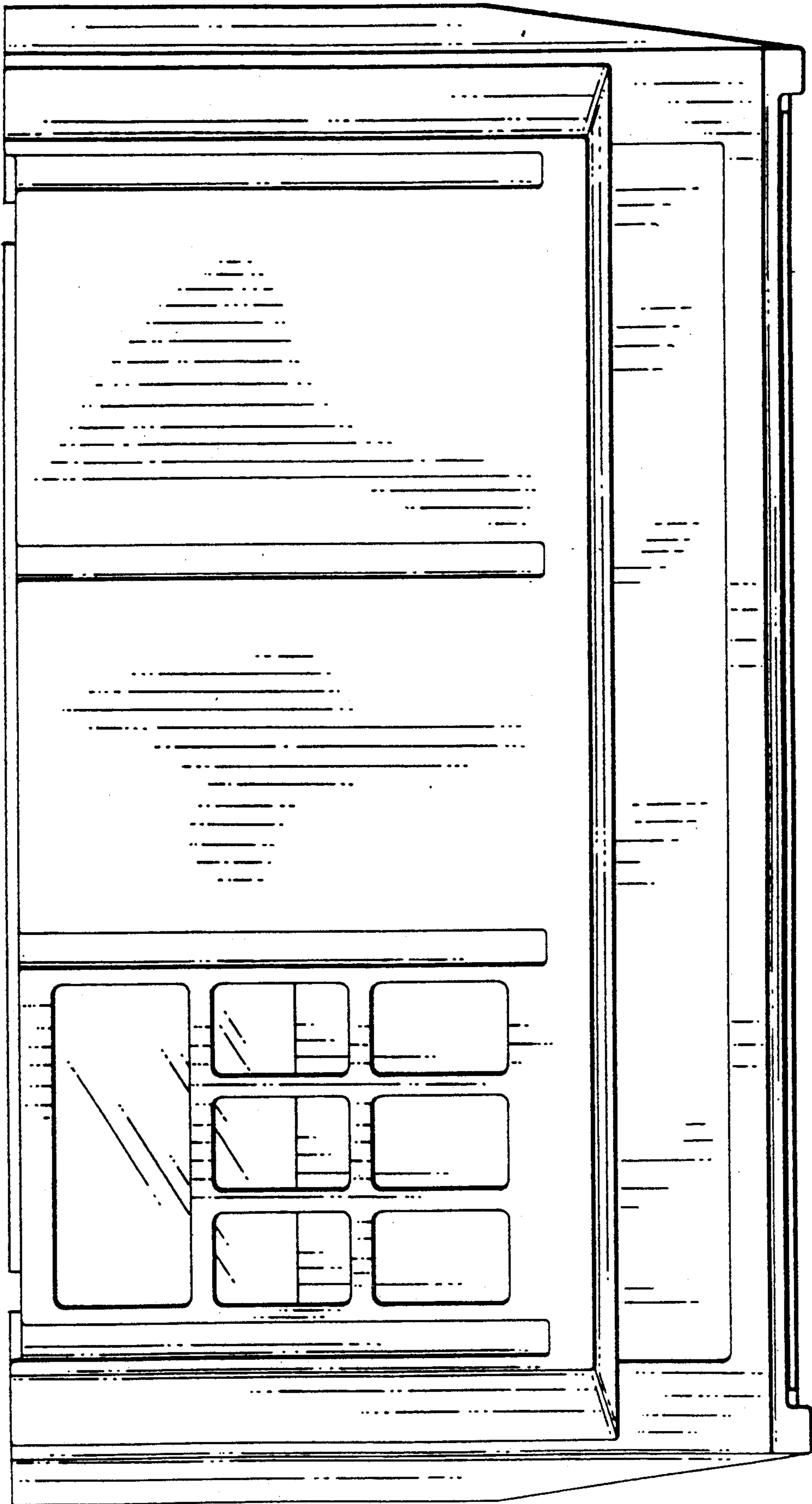


FIG. 3

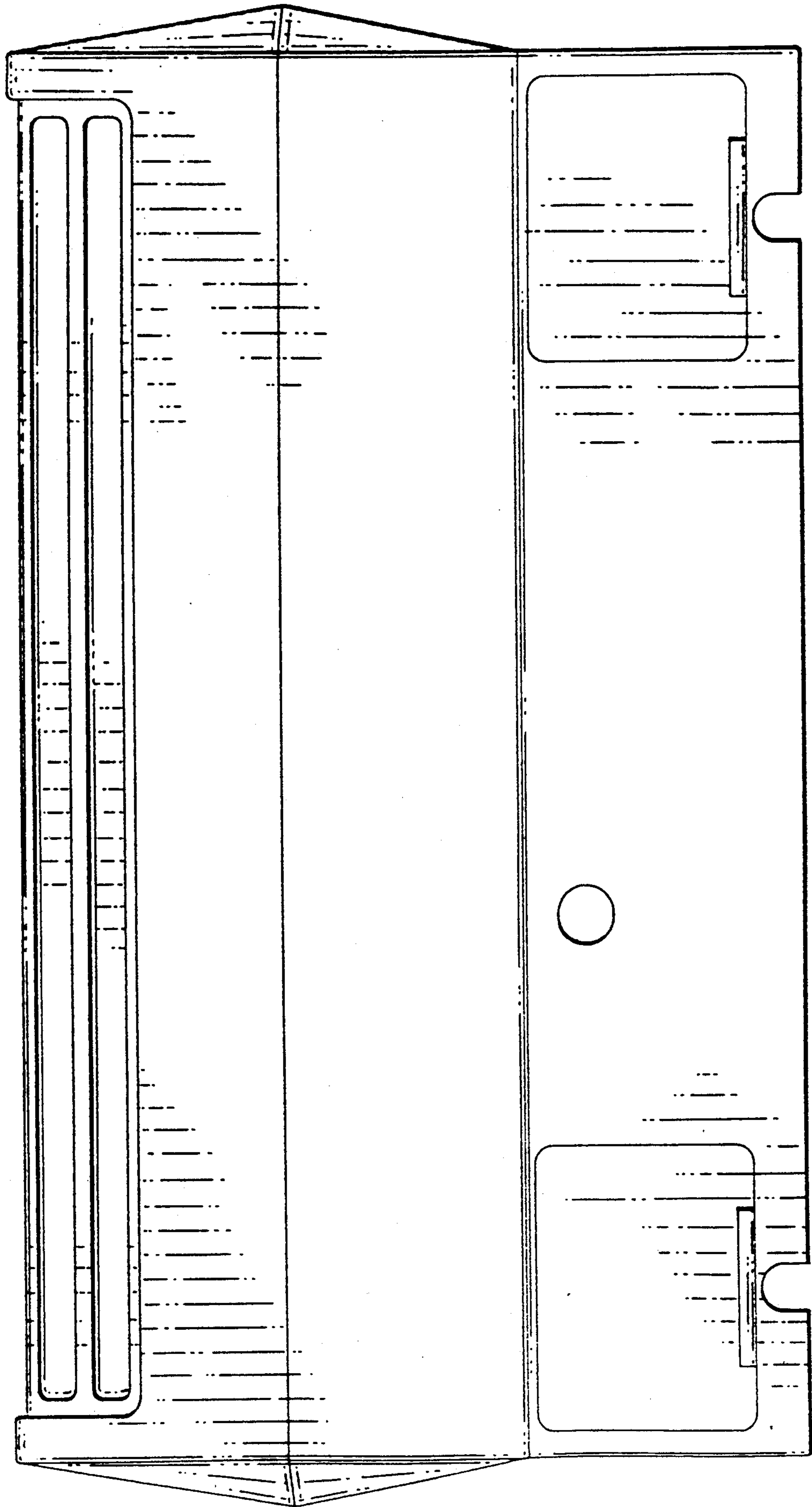


FIG. 4

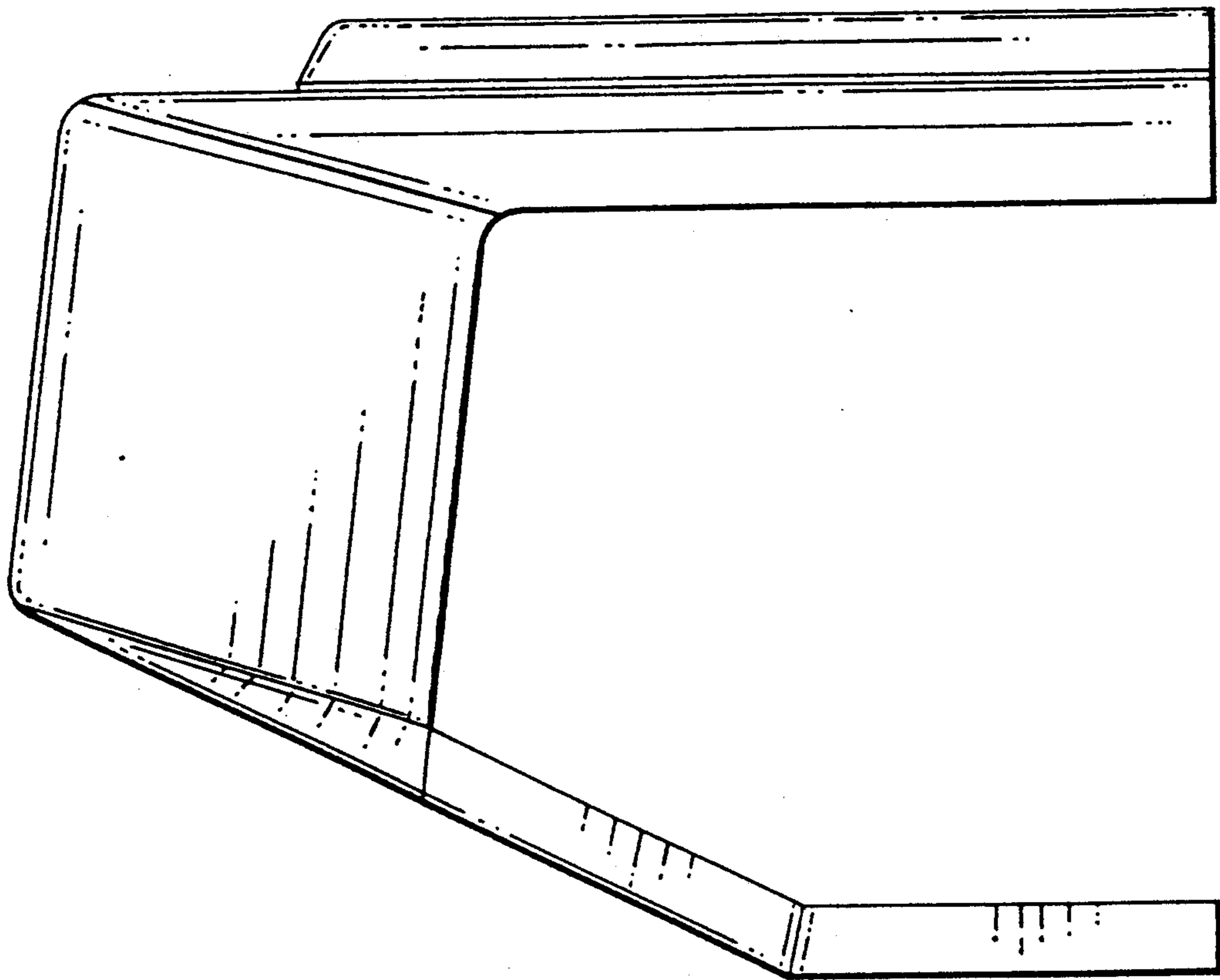


FIG. 5