

[54] ELECTRIC FORCED AIR OR GAS HEATER

[75] Inventors: Jonathan B. Arold, Exeter; Joan L. Mishou, Portsmouth; Edward A. Webb, Wolfeboro, all of N.H.

[73] Assignee: GTE Products Corporation, Stamford, Conn.

[**] Term: 14 Years

[21] Appl. No.: 522,359

[22] Filed: Apr. 13, 1990

[52] U.S. Cl. D23/314

[58] Field of Search D23/332, 326, 336, 328, D23/339, 335, 314, 336, 324, 386; 392/379, 383, 473, 488

[56] References Cited

U.S. PATENT DOCUMENTS

D. 276,840	12/1984	Church	D23/336
1,465,292	8/1923	Wessig	392/379
2,396,190	5/1946	Morgan et al.	392/488

2,597,215	5/1952	Wright et al.	392/488
3,054,252	9/1962	Beckett et al.	392/473
3,482,395	12/1969	Rando et al.	392/488

FOREIGN PATENT DOCUMENTS

543823 2/1932 Fed. Rep. of Germany 392/379

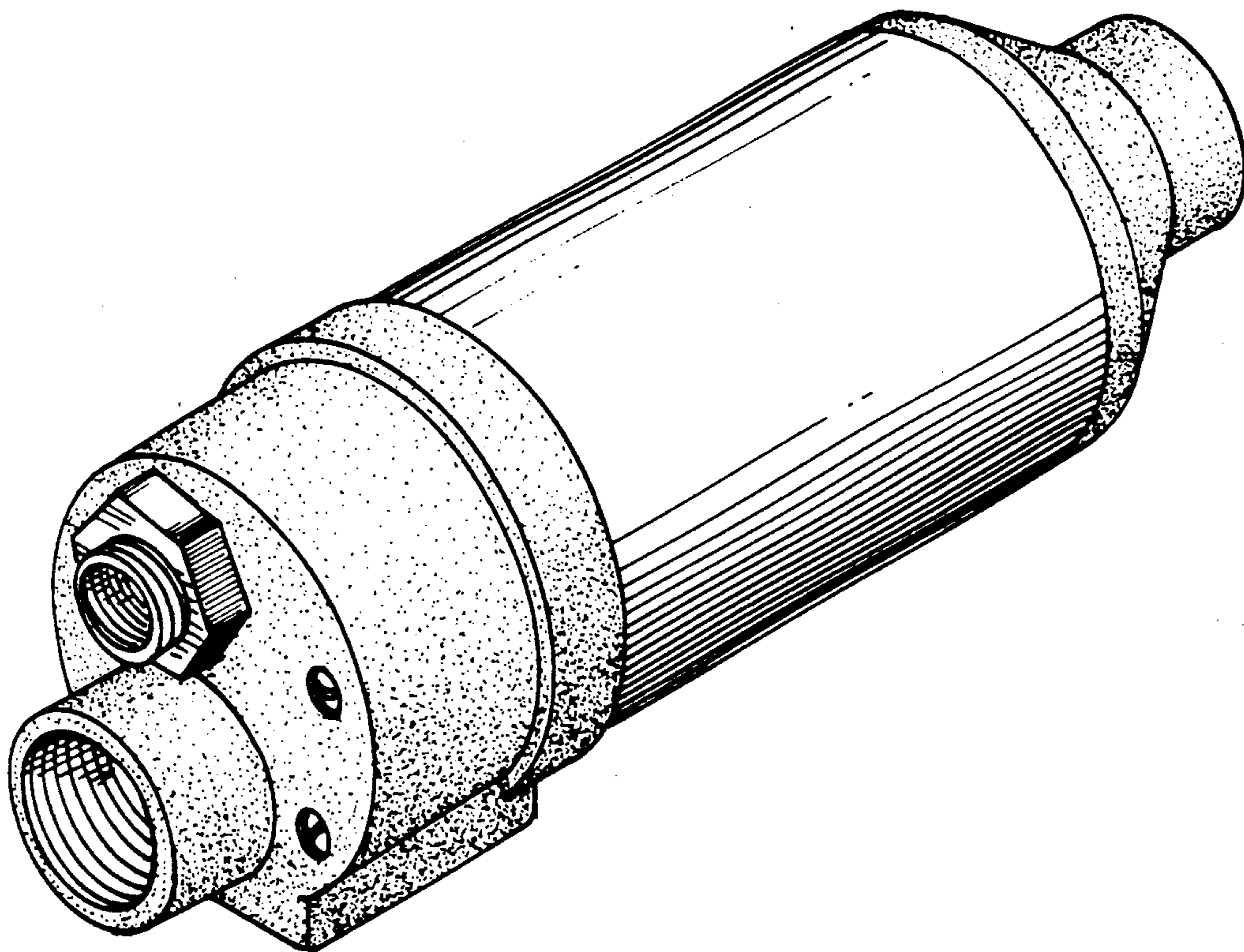
Primary Examiner—James M. Gandy
Assistant Examiner—Lisa Lichtenstein
Attorney, Agent, or Firm—James Theodosopoulos

[57] CLAIM

The ornamental design for an electric forced air or gas heater, as shown.

DESCRIPTION

FIG. 1 is a front top and side perspective view of an electric forced air or gas heater showing our new design; FIG. 2 is an enlarged front end elevation view thereof; FIG. 3 is an enlarged rear end elevational view thereof; FIG. 4 is a top plan view thereof; and FIG. 5 is a bottom plan view thereof.



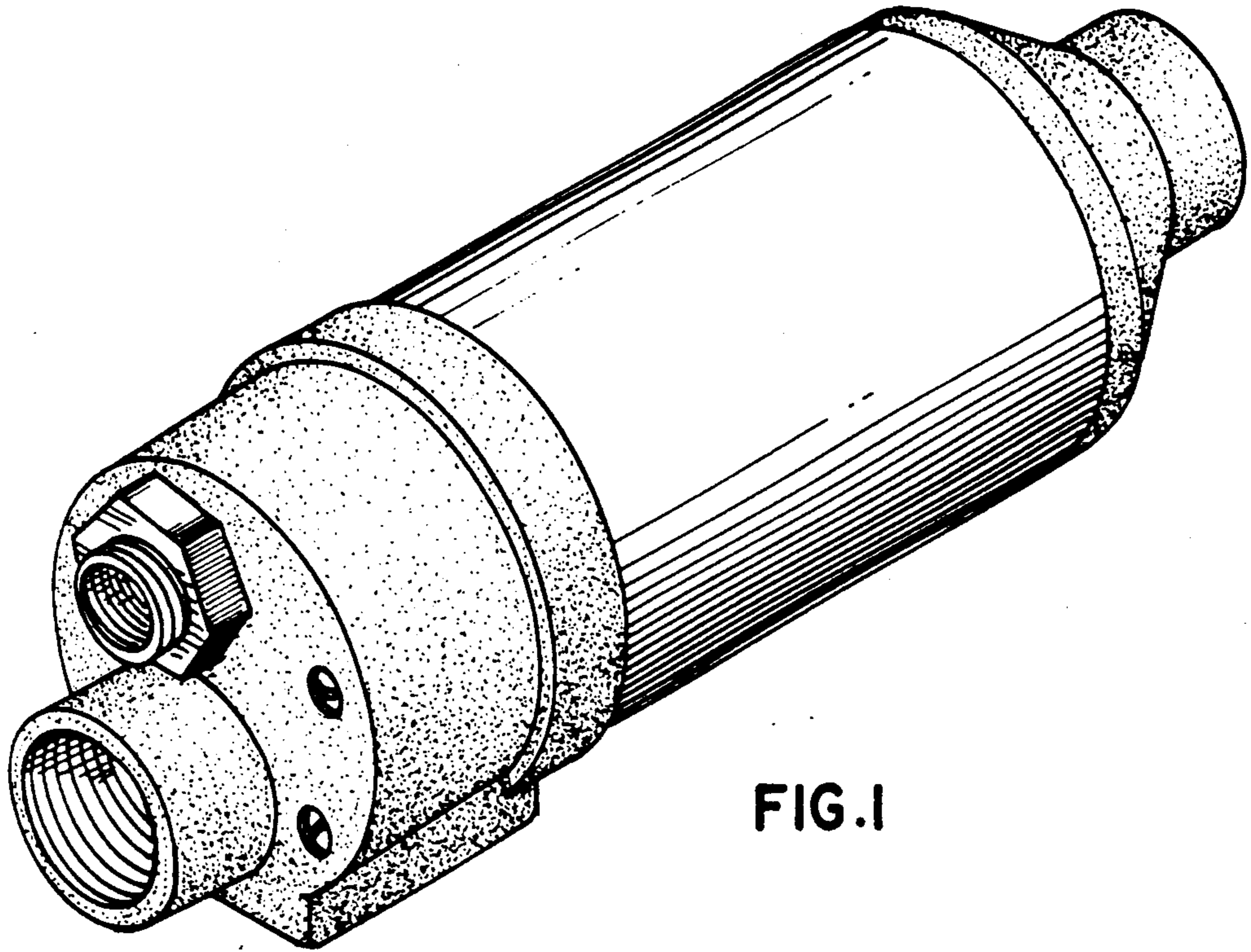


FIG. 1

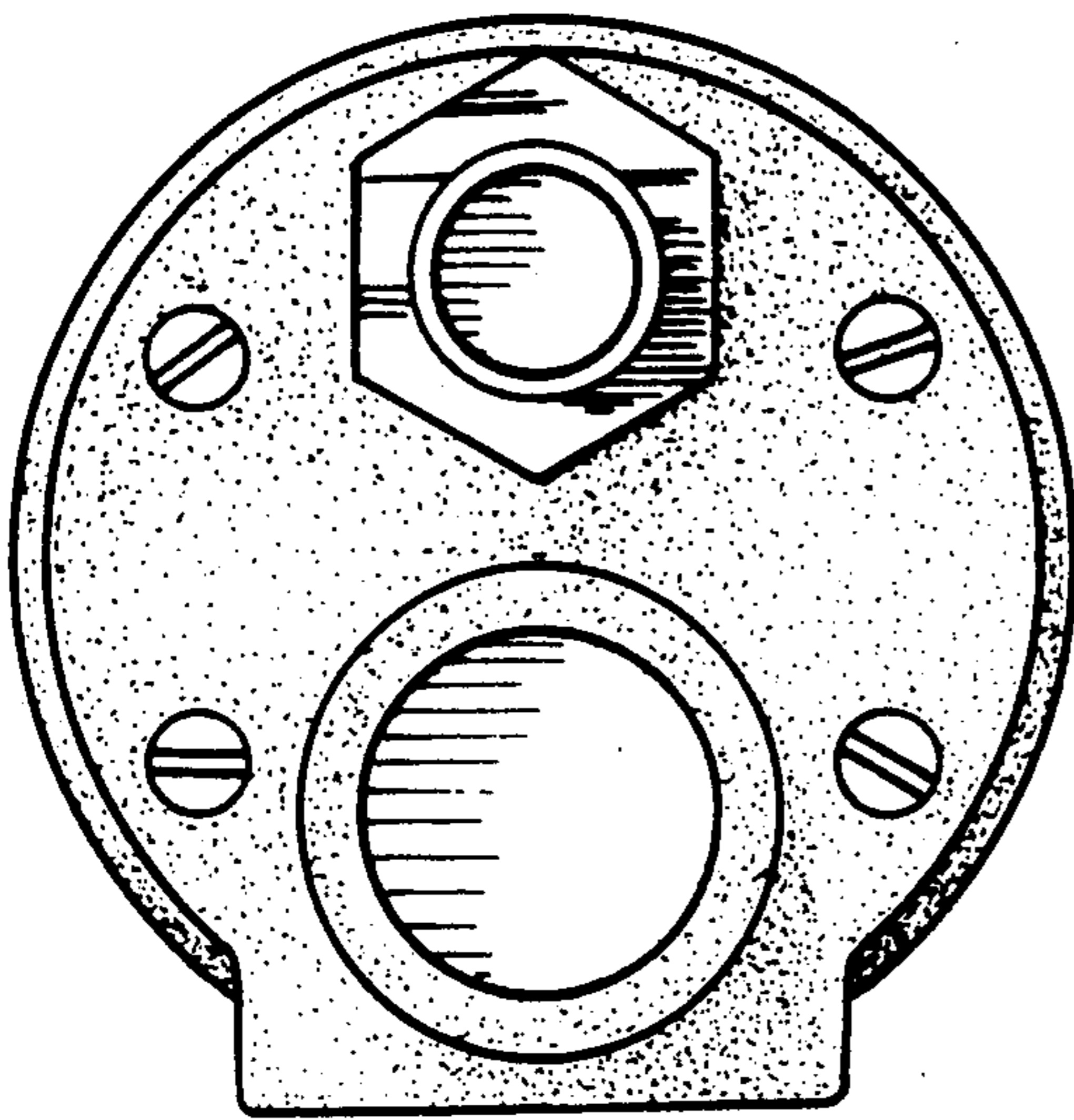


FIG. 2

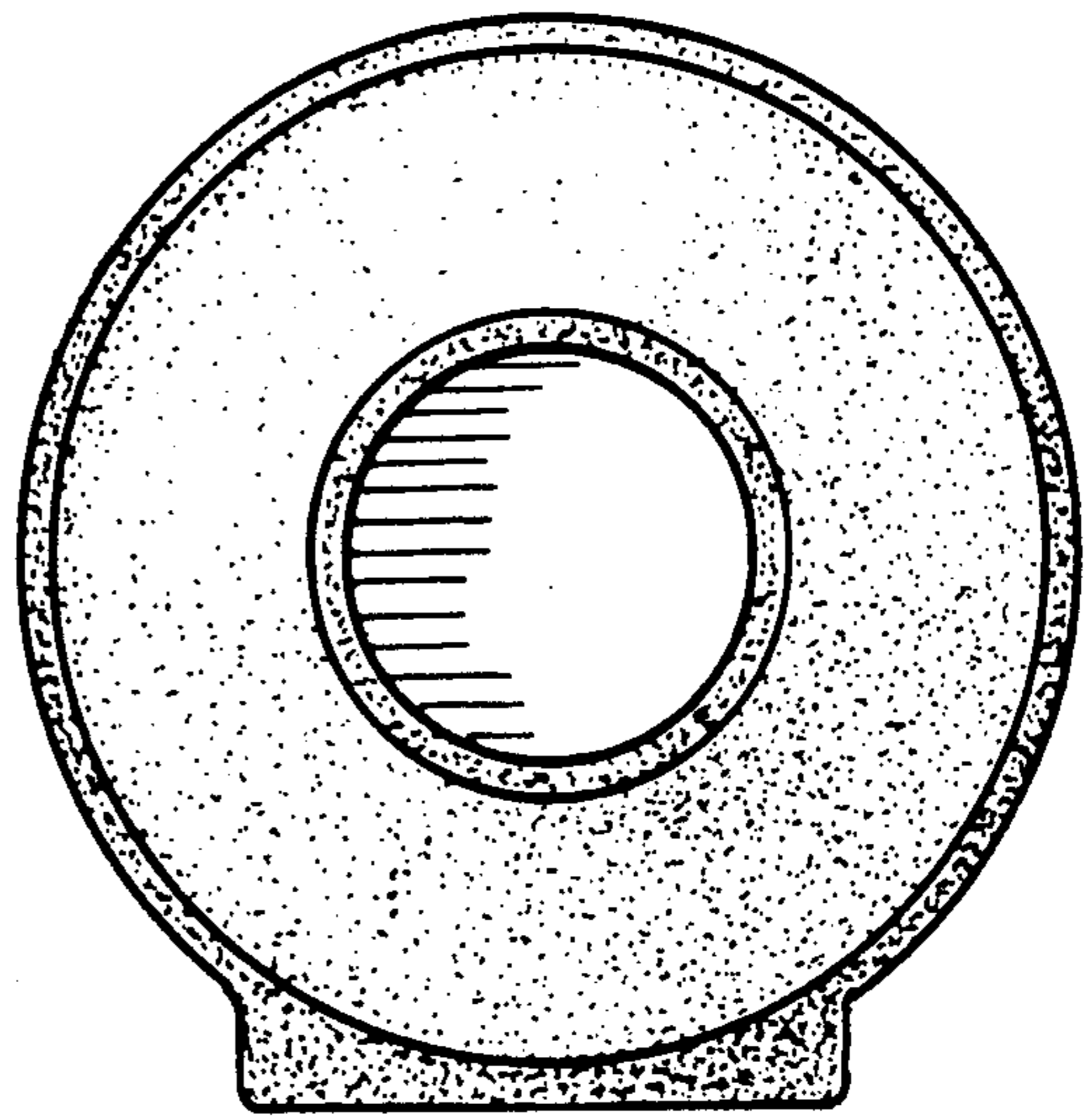


FIG. 3

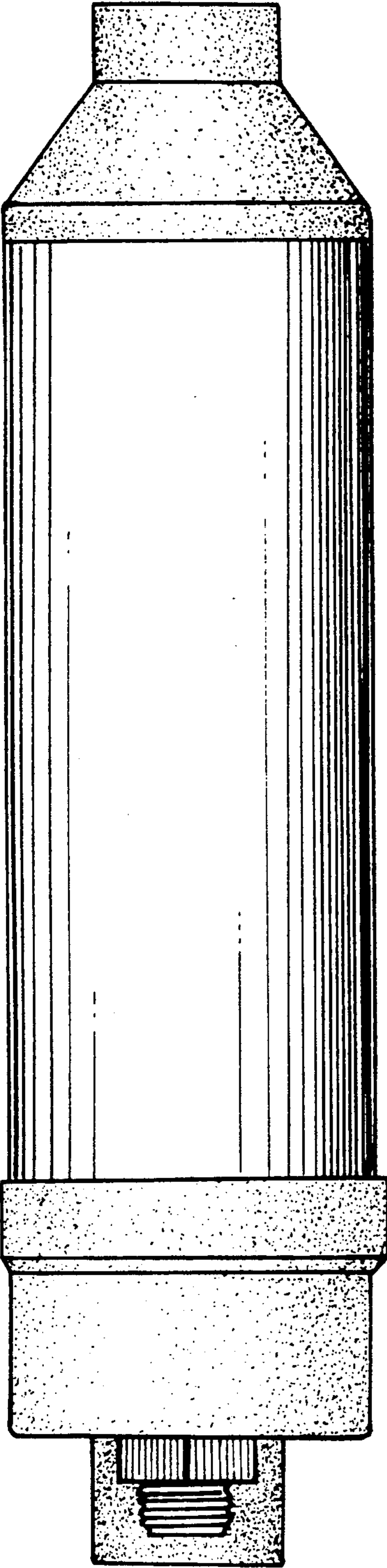


FIG. 4

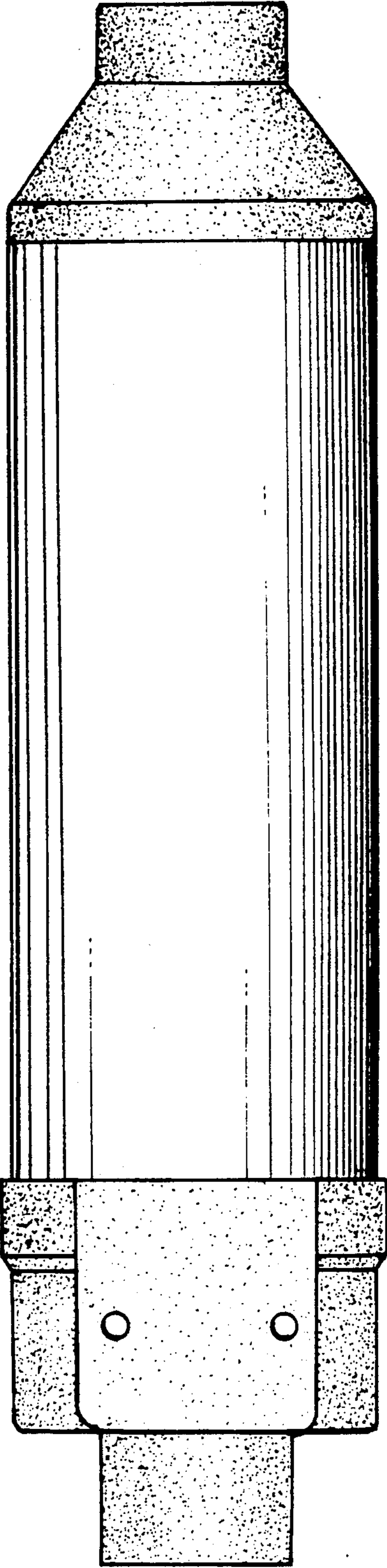


FIG. 5