

[54] SINK

[75] Inventors: Herbert V. Kohler, Jr., Kohler; Mary J. Reid, Sheboygan, both of Wis.

[73] Assignee: Kohler Co., Kohler, Wis.

[**] Term: 14 Years

[21] Appl. No.: 144,432

[22] Filed: Jan. 12, 1988

[52] U.S. Cl. D23/292

[58] Field of Search D23/284-291, D23/308; 4/619, 628, 630, 631, 646 & 660

[56] References Cited

U.S. PATENT DOCUMENTS

D. 74,844	4/1928	Smith	D23/294
D. 258,079	1/1981	Primault	D23/292
D. 258,680	3/1981	Wilson .	
D. 258,681	3/1981	Wilson .	
D. 258,906	4/1981	Doman	D23/292
D. 273,978	5/1984	Enthoven	D23/292
D. 273,980	5/1984	Kaiser	D23/292
D. 274,164	6/1984	Enthoven	D23/292
D. 282,565	2/1986	Tuduri	D23/294
1,891,591	12/1932	Finley	4/646
2,767,407	10/1956	Weiss	D23/284 X
2,783,111	2/1957	Hammer .	

OTHER PUBLICATIONS

Page 2 of a 1982 Ideal Standard brochure showing the Pierre Cardin line of fixtures.

A one page Ceramica ad showing the Europa lavatory, undated (admitted prior art).

Primary Examiner—James R. Largen
Attorney, Agent, or Firm—Quarles & Brady

[57] CLAIM

The ornamental design for a sink, as shown and described.

DESCRIPTION

FIG. 1 is a perspective view taken from the top, front and right side of a sink showing our new design;

FIG. 2 is a top plan view thereof;

FIG. 3 is a front elevational view thereof;

FIG. 4 is a right side elevational view thereof, the left side elevational view being the mirror image thereof;

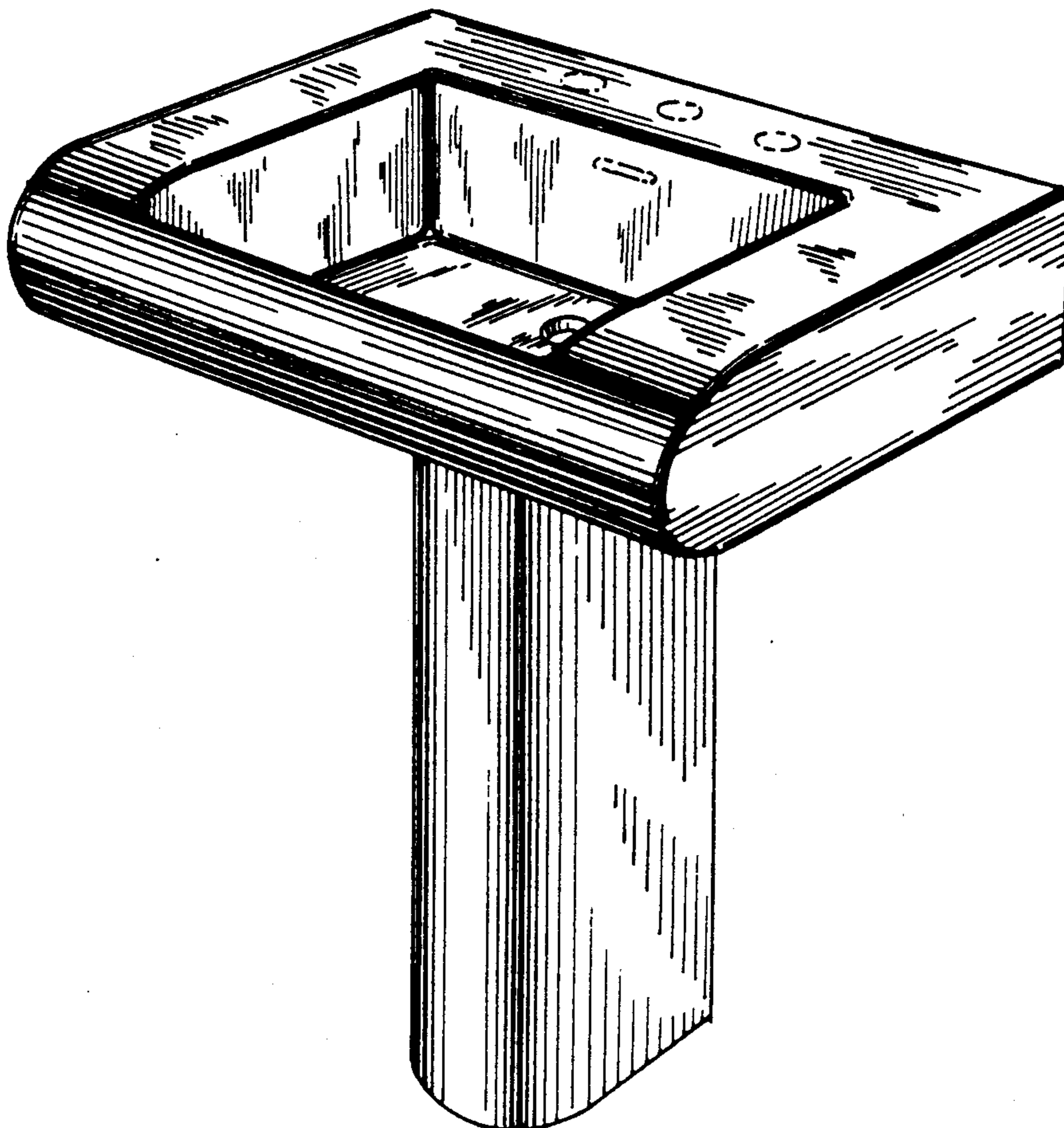
FIG. 5 is a bottom plan view thereof;

FIG. 6 is a rear elevational view thereof;

FIG. 7 is a fragmentary cross-sectional view taken on line 7—7 of FIG. 2; and

FIG. 8 is a fragmentary cross-sectional view taken on line 8—8 of FIG. 2.

The broken line representations of openings in FIGS. 1, 2, and 7 for the purpose of illustration only.



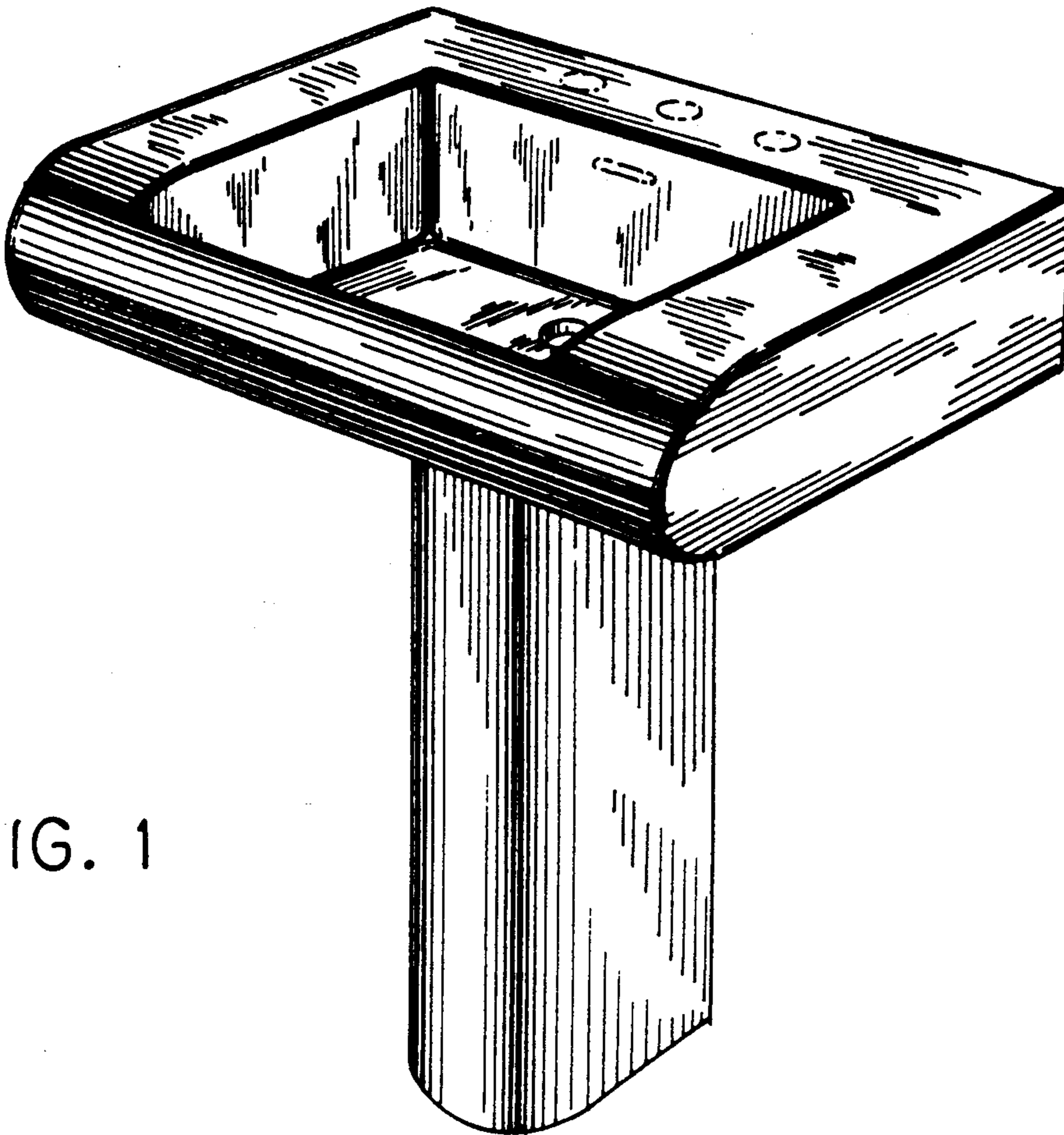


FIG. 1

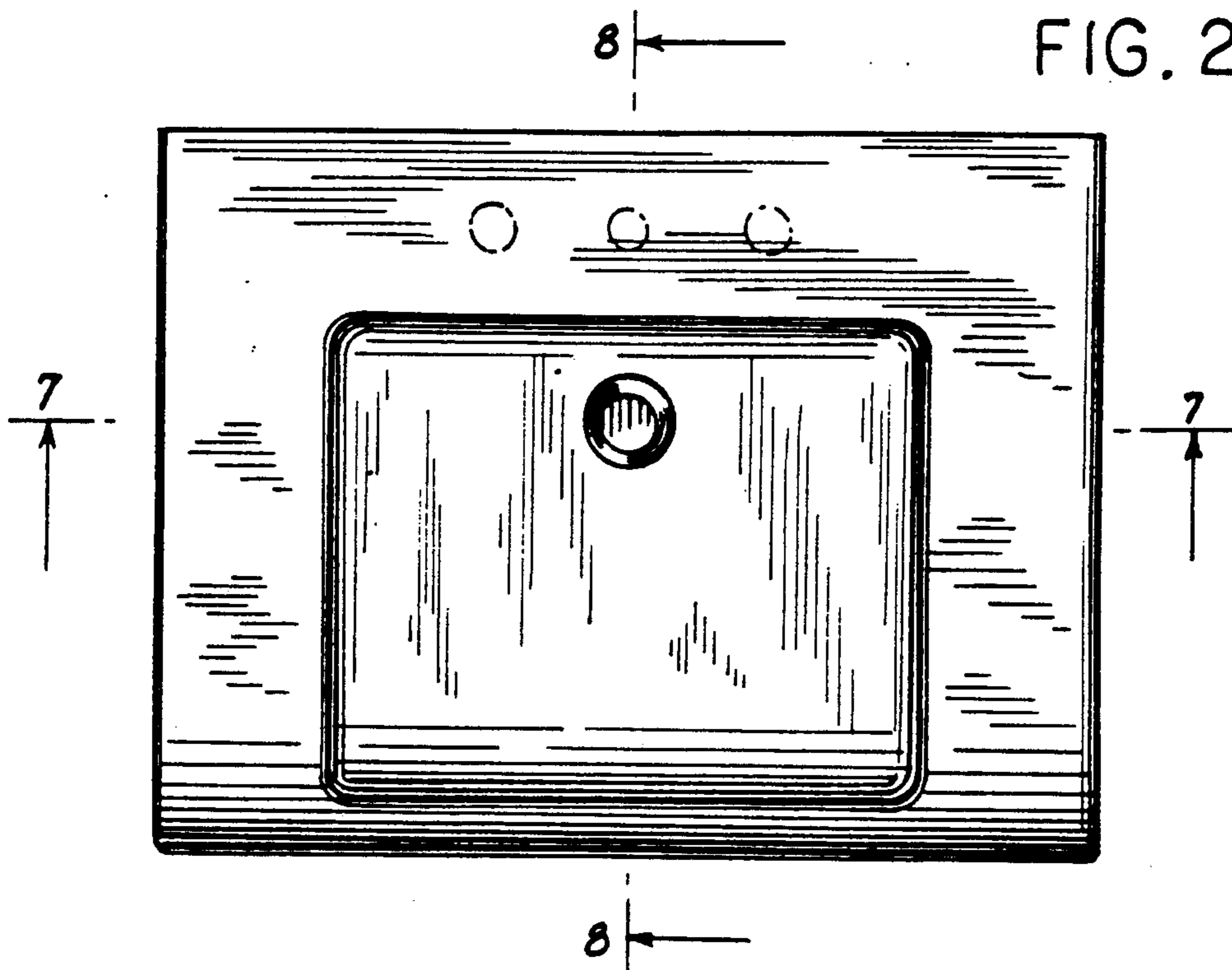


FIG. 2

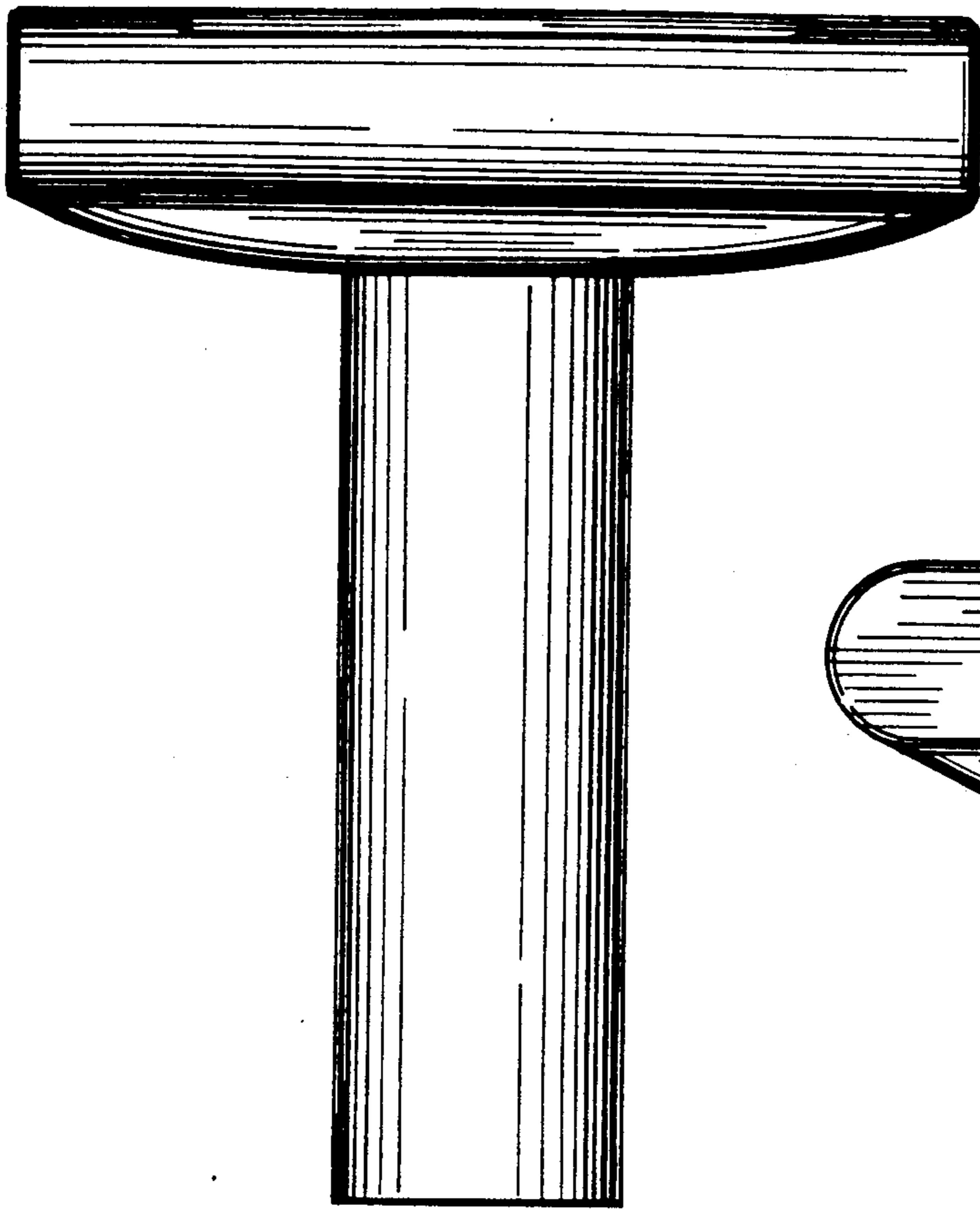


FIG. 3

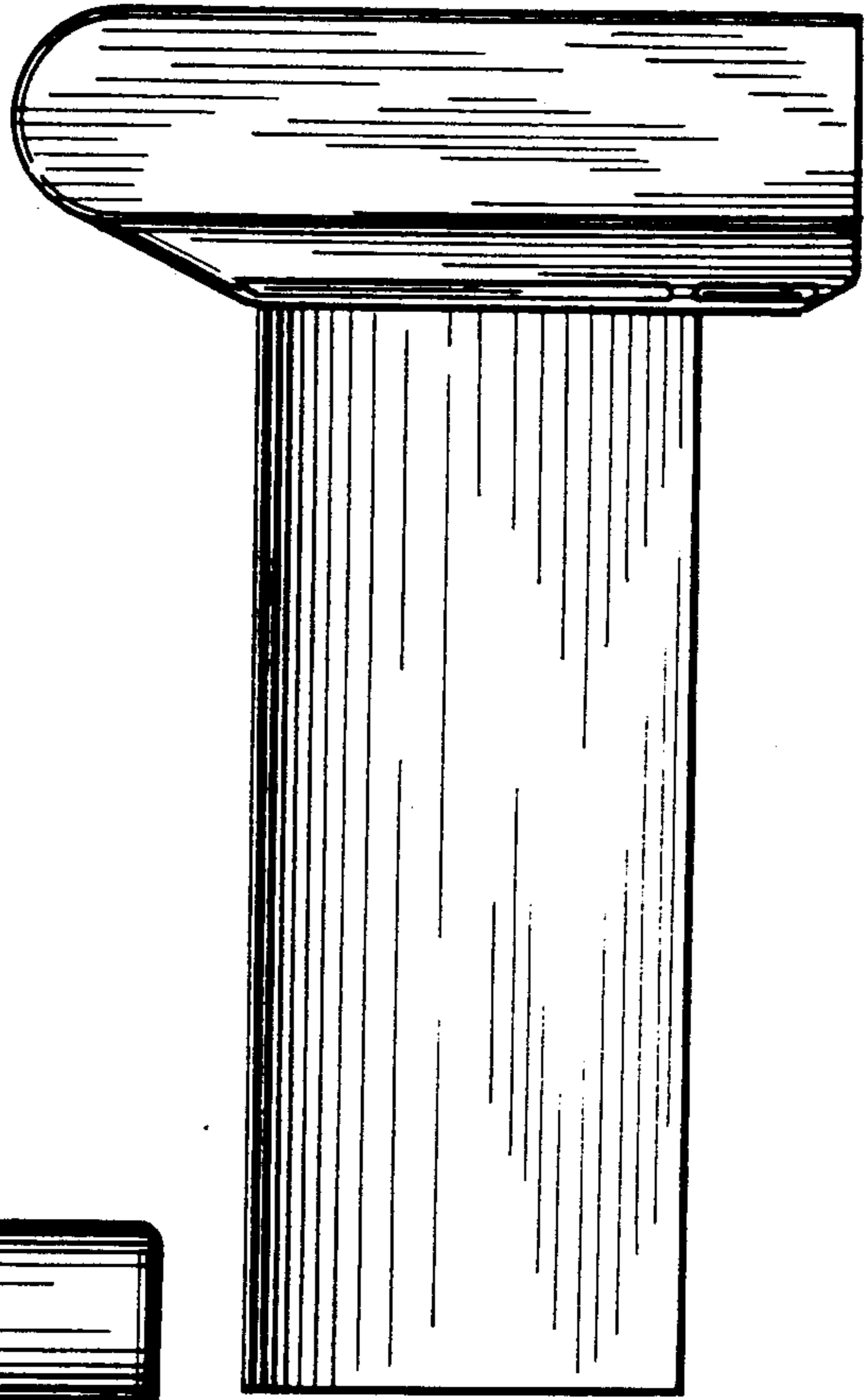


FIG. 4

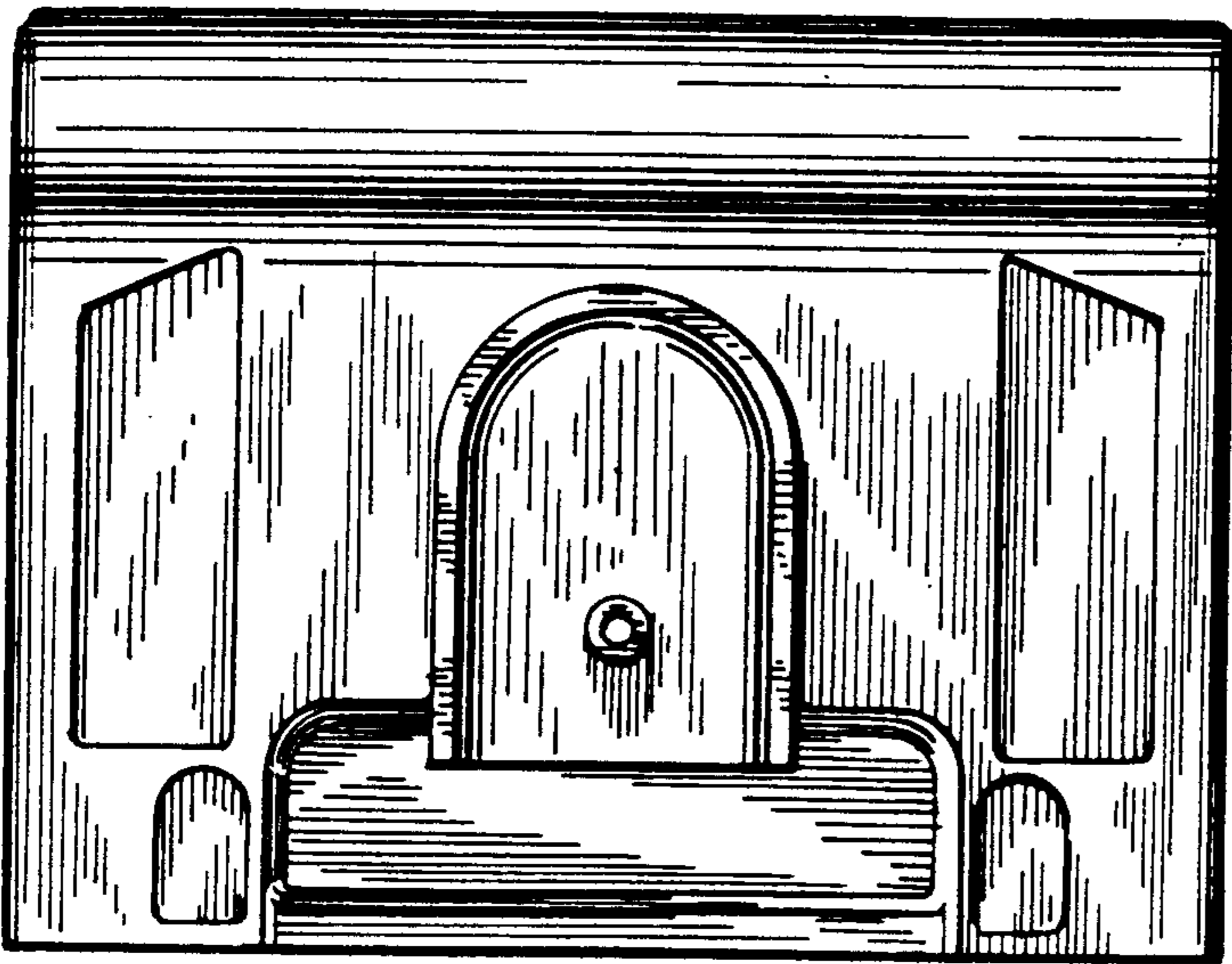


FIG. 5

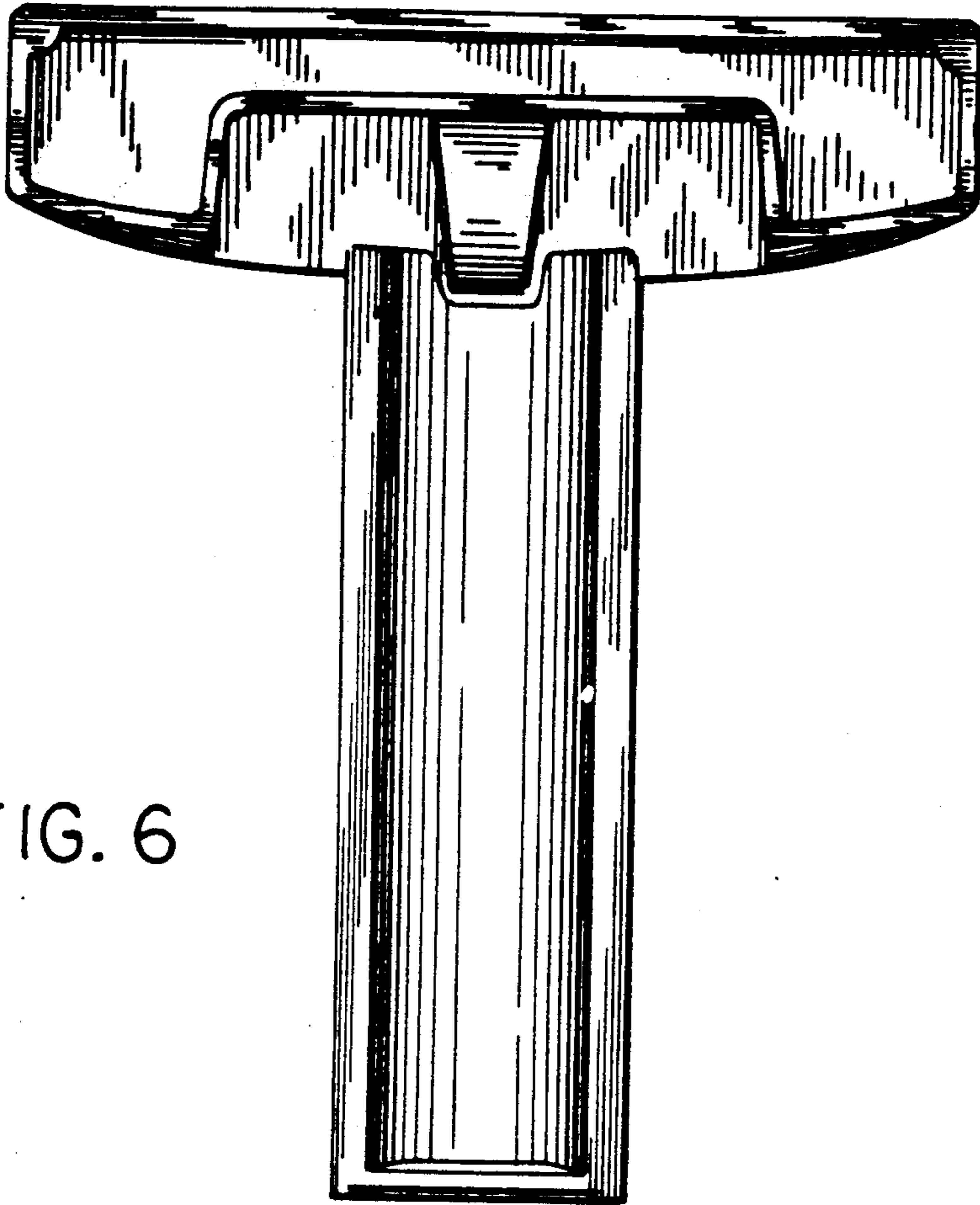


FIG. 6

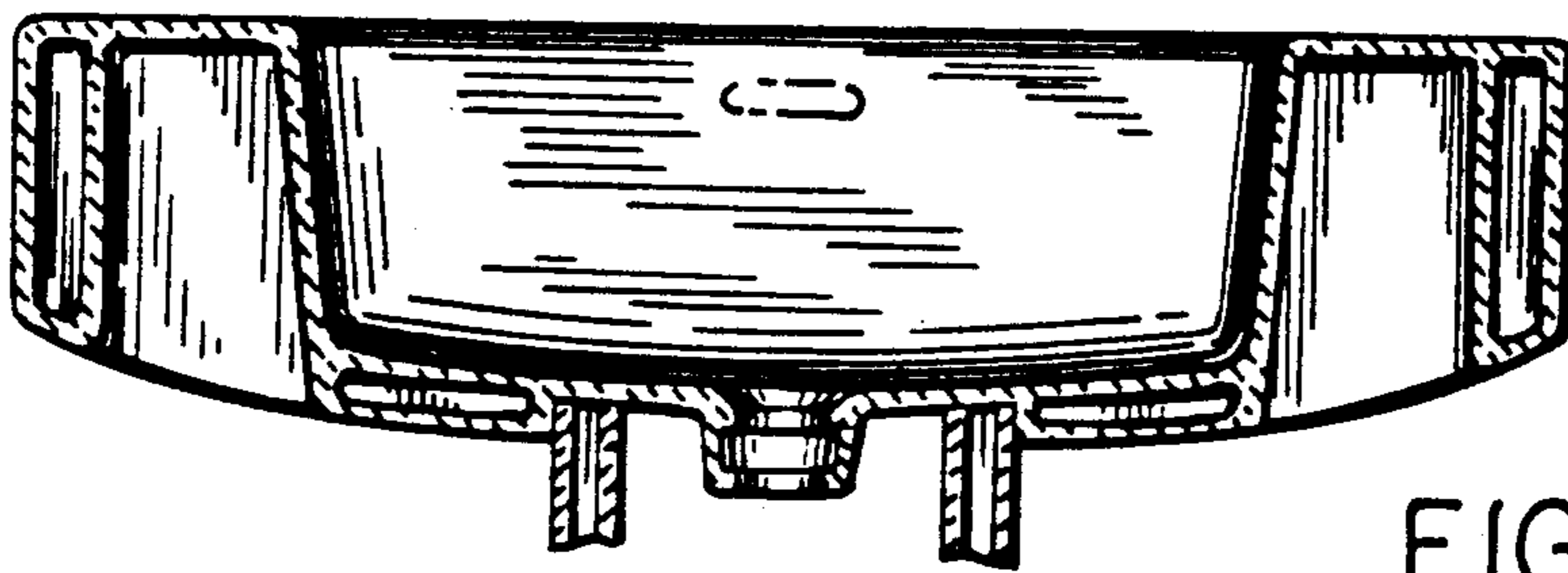


FIG. 7

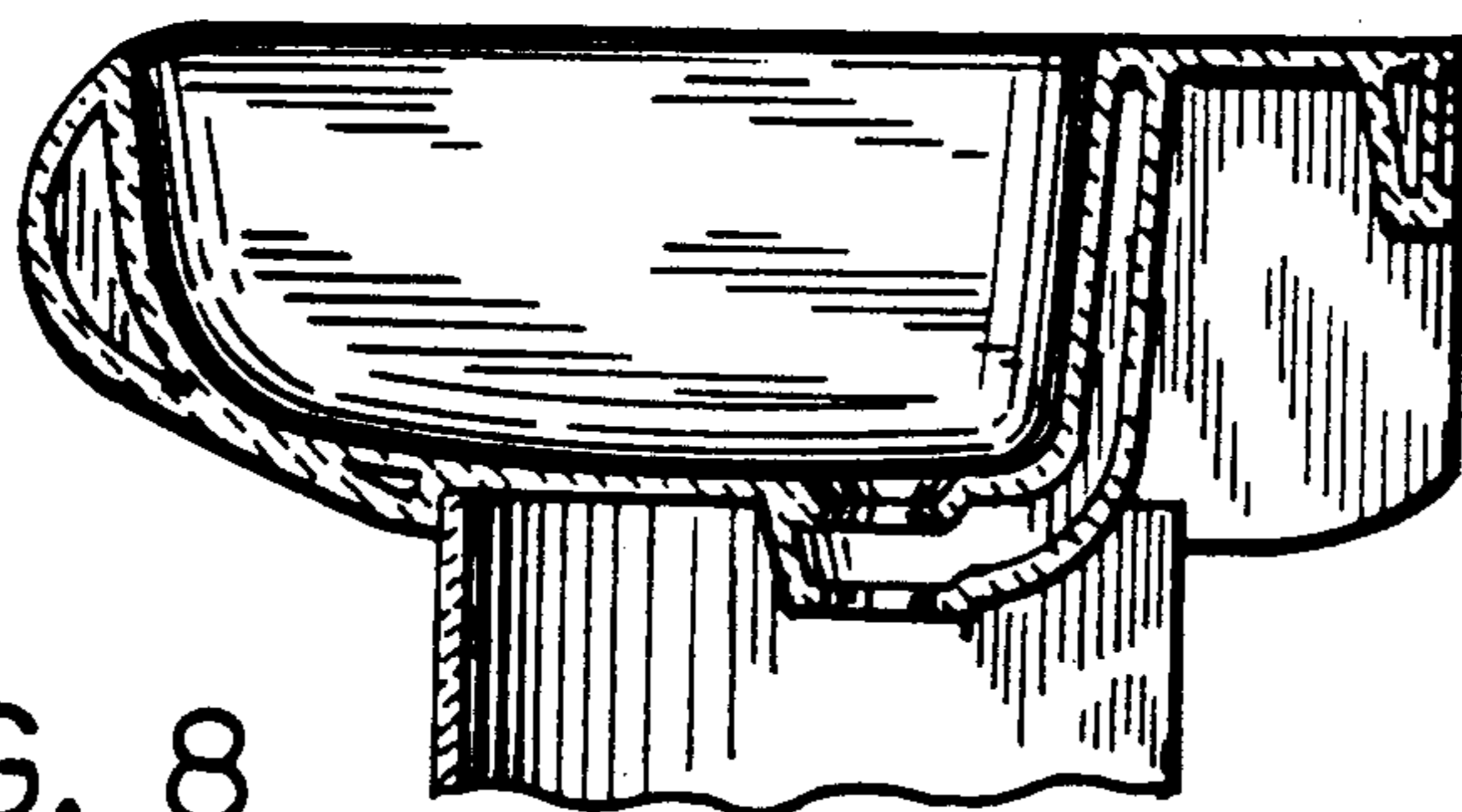


FIG. 8