

- [54] **BATHTUB OR THE LIKE**
[76] **Inventor: Bahram Zarinfar, 14960 Dickens St., #108, Sherman Oaks, Calif. 91403**
[**] **Term: 14 Years**
[21] **Appl. No.: 265,124**
[22] **Filed: Oct. 31, 1988**
[52] **U.S. Cl. D23/280**
[58] **Field of Search D23/270-275, D23/276-283, 303, 304; D24/38, 36; 4/538, 539, 541-544, 546, 548, 549, 559, 571-579, 582-584, 589-594; 128/66, 369**

[56] **References Cited**

U.S. PATENT DOCUMENTS

D. 211,876	8/1968	Doman	D23/281
D. 241,643	9/1976	Bonsack	D23/281
D. 279,028	5/1985	Kohler, Jr. et al.	D23/281
D. 279,702	7/1985	Harrison	D23/280
D. 311,770	10/1990	Sauter et al.	D23/277
1,445,243	2/1923	Spaleck	D23/281 X

OTHER PUBLICATIONS

Domestic Engineering, 10-1987, p. 119, Bath Tub.

Primary Examiner—Susan J. Lucas
Attorney, Agent, or Firm—Kelly, Bauersfeld & Lowry

[57] **CLAIM**

The ornamental design for a bathtub or the like, as shown and described.

DESCRIPTION

FIG. 1 is a perspective view of a bathtub or the like embodying the new design;
FIG. 2 is a right side elevational view thereof an enlarged scale, the left side elevational view being the mirror image of the right;
FIG. 3 is a top plan view thereof an enlarged scale;
FIG. 4 is a bottom plan view thereof an enlarged scale; and
FIG. 5 is a front elevational view thereof an enlarged scale, the rear elevational view being a mirror image of the front.

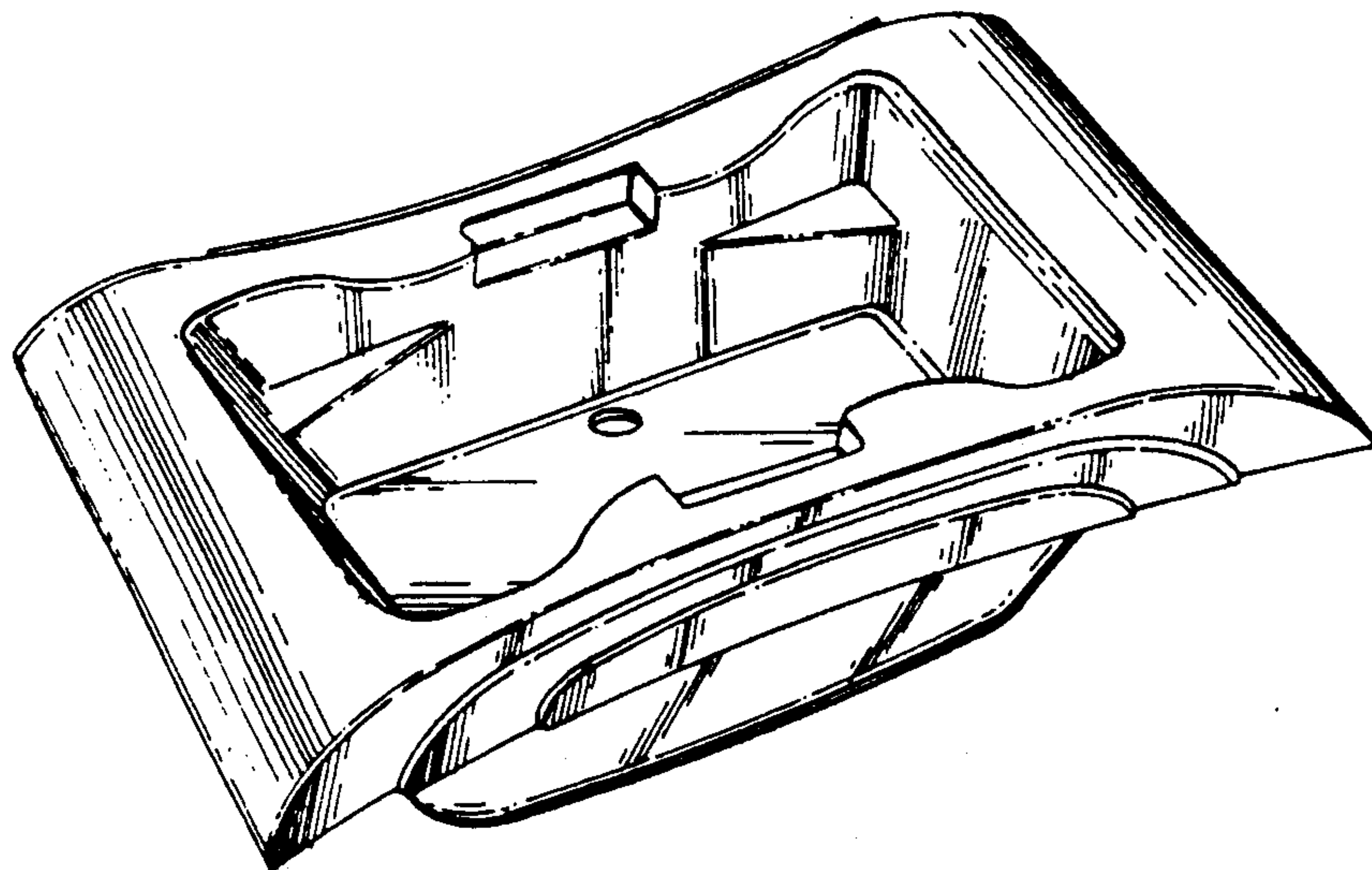


FIG. 1

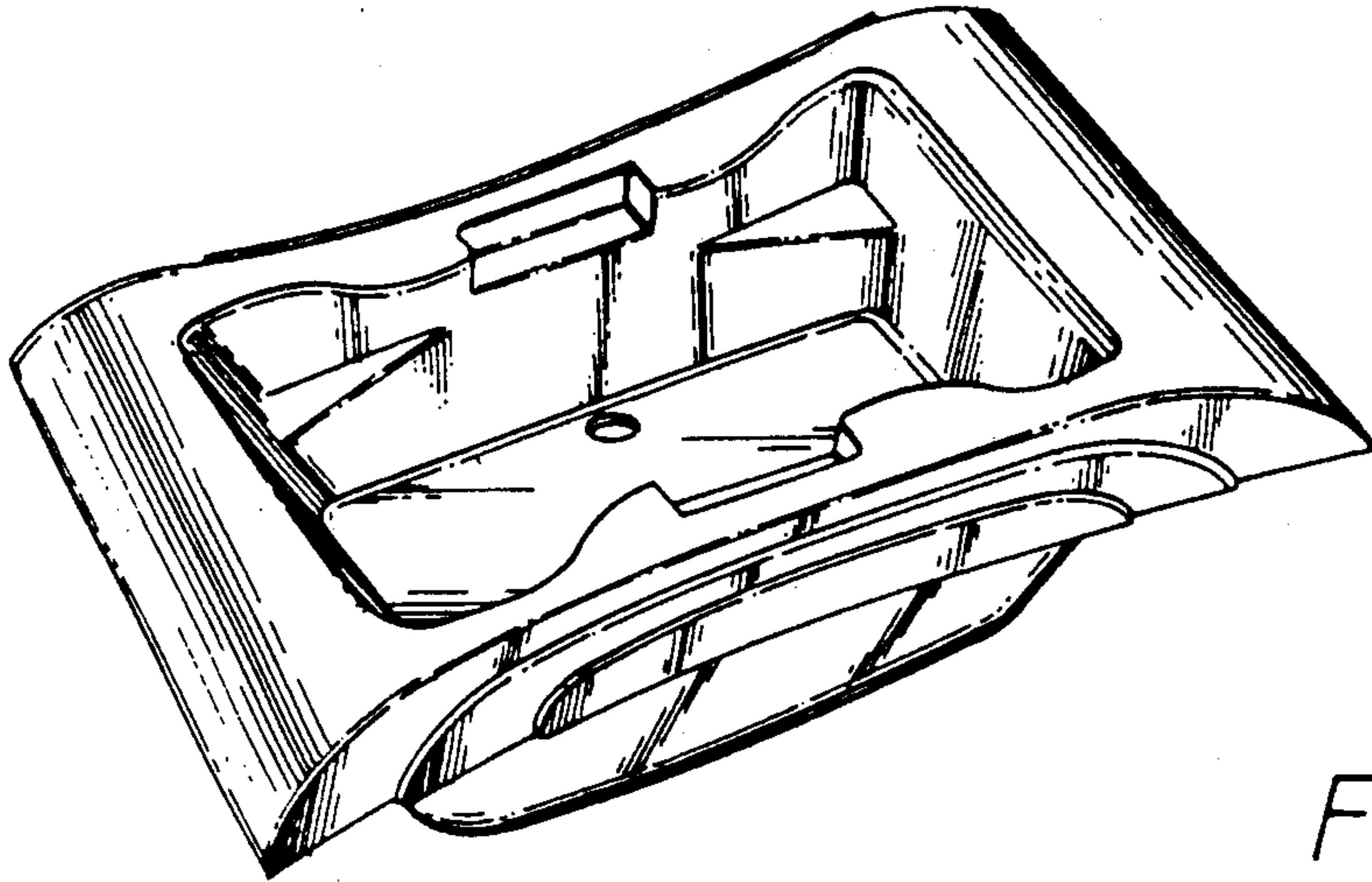


FIG. 2

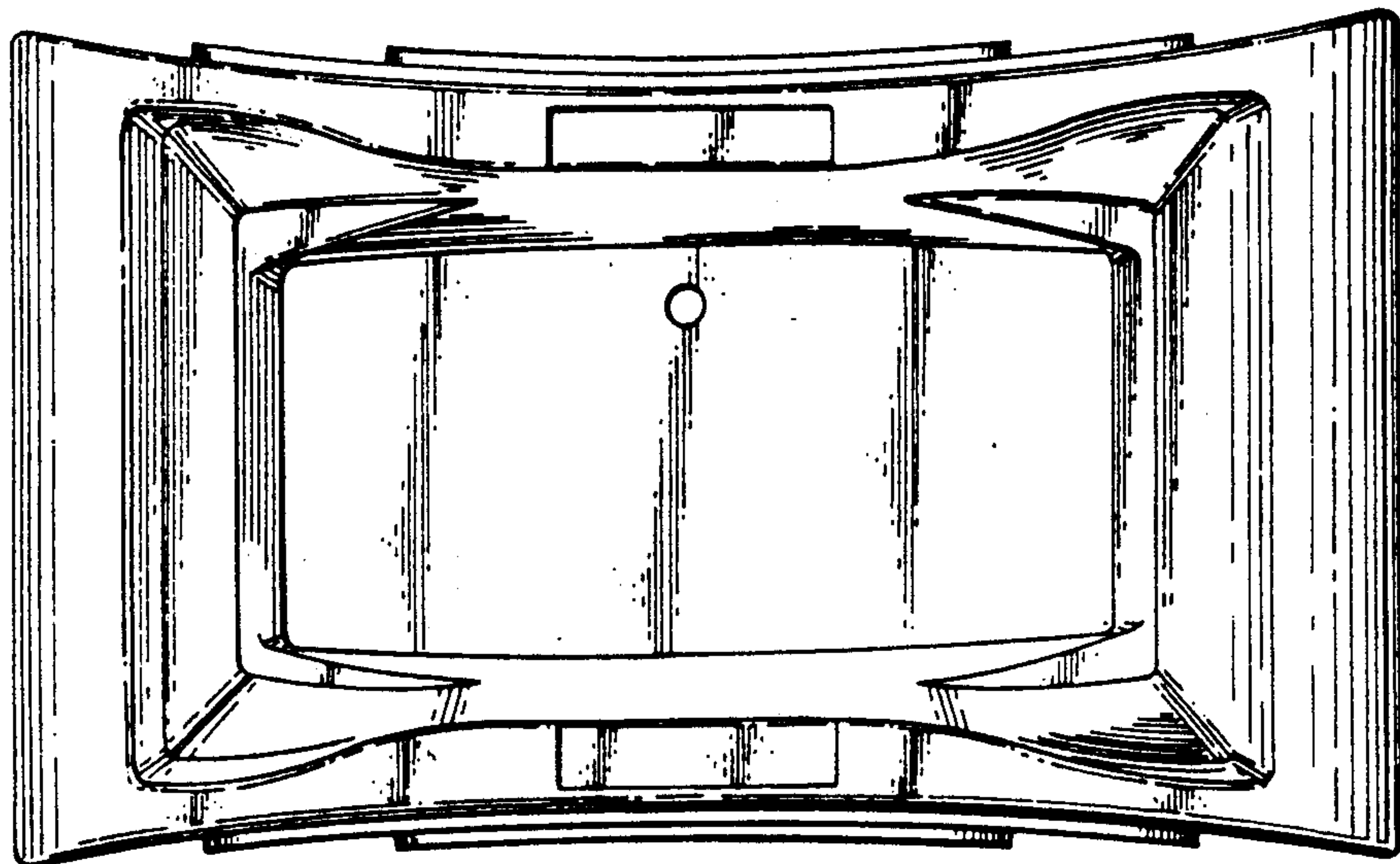
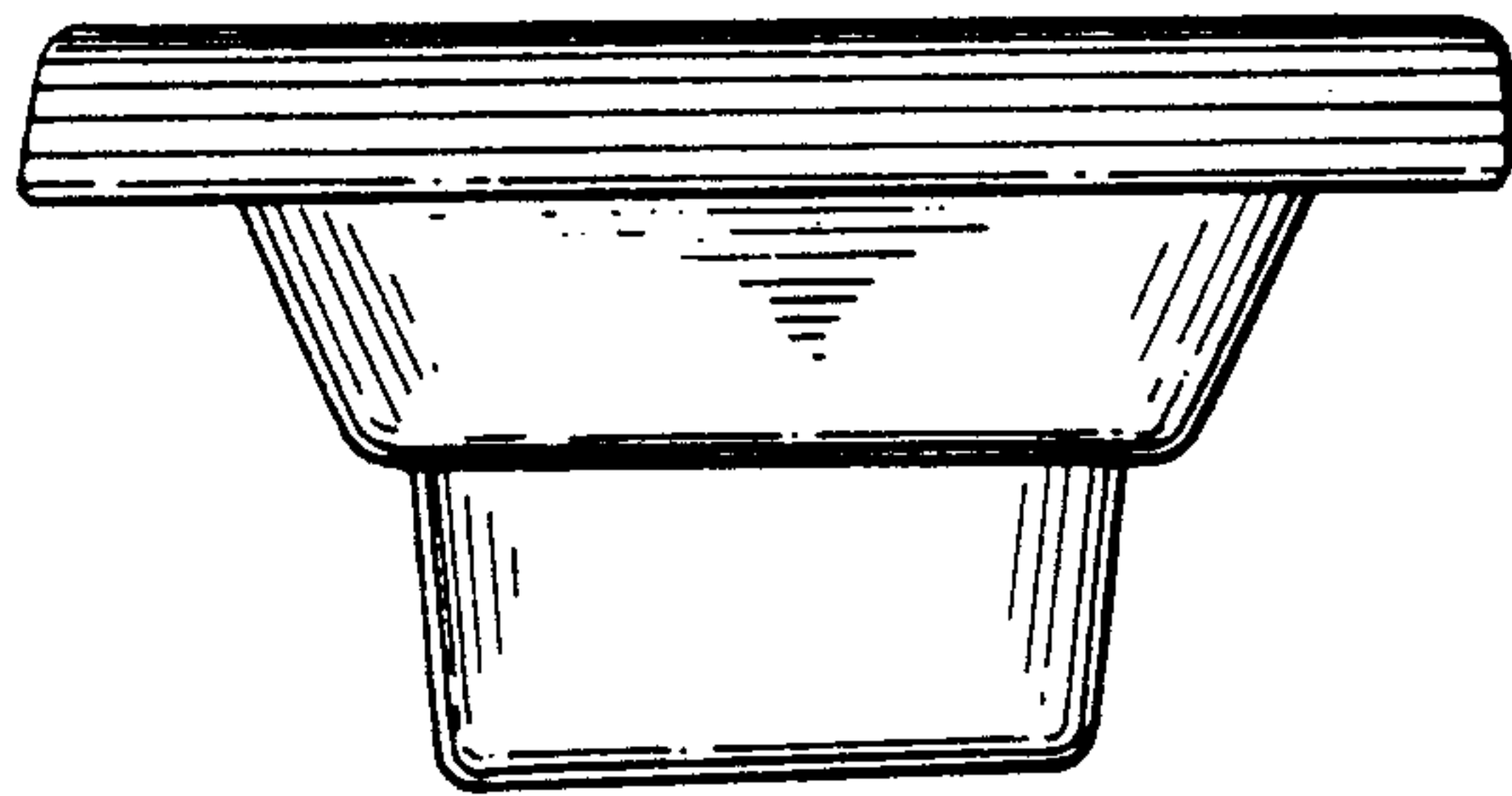


FIG. 3

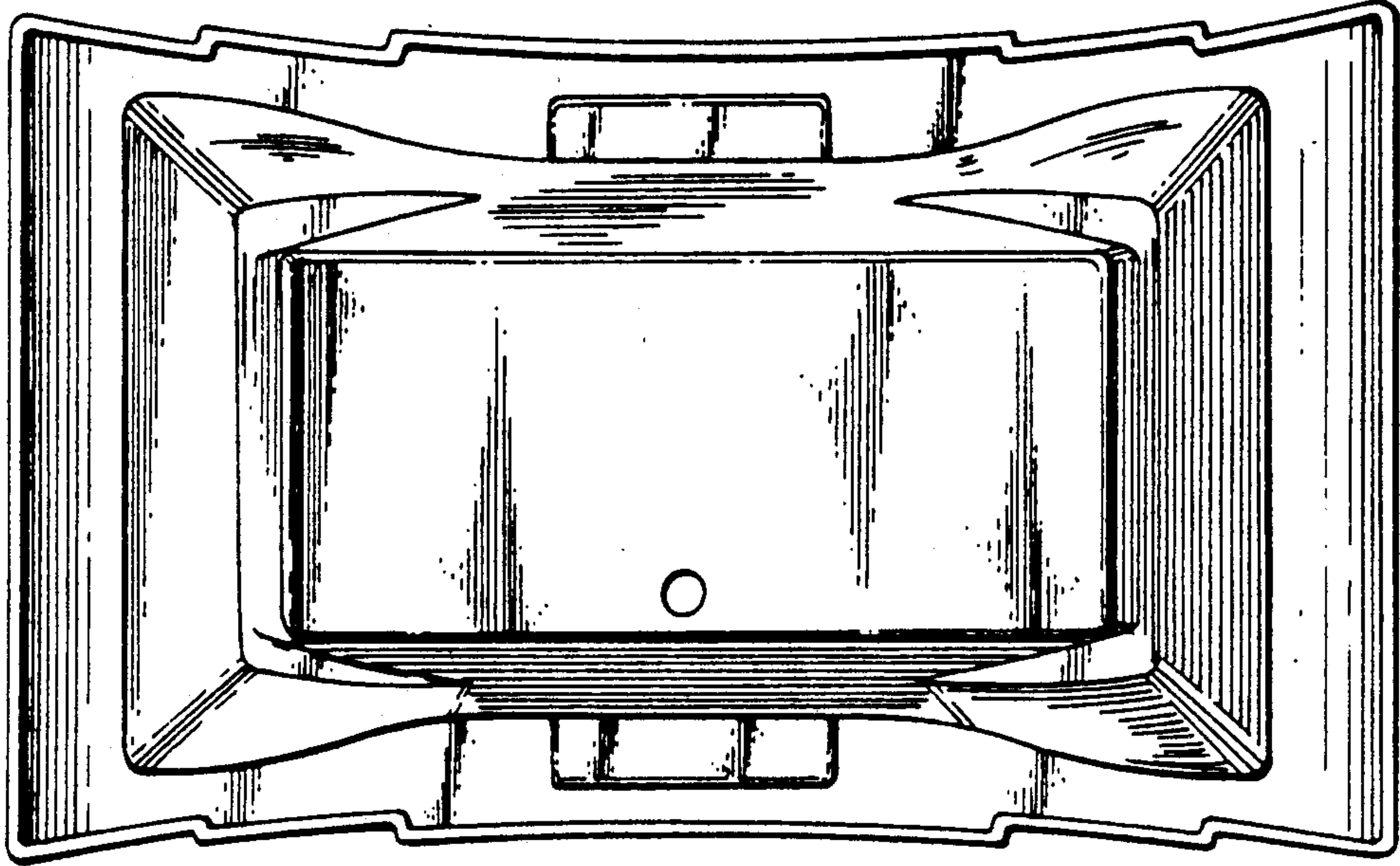


FIG. 4

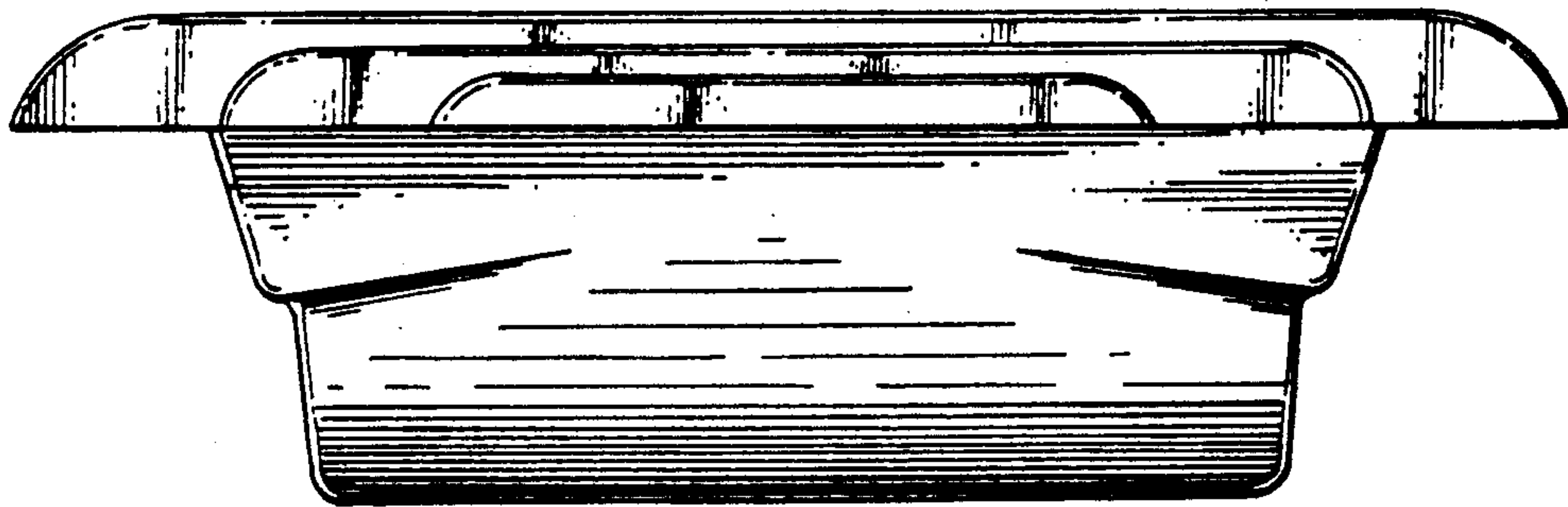


FIG. 5