

[54] **THREADED BARB FITTING**

[76] **Inventor: Steven P. Papai, 5 Dundee St.,  
Wingfield, Australia**

[\*\*] **Term: 14 Years**

[21] **Appl. No.: 910,771**

[22] **Filed: Sep. 23, 1986**

[52] **U.S. Cl. .... D23/266**

[58] **Field of Search ..... D23/259-269,  
D23/245, 247; 285/239, 397**

[56] **References Cited**

**U.S. PATENT DOCUMENTS**

- D. 239,021 3/1976 D'Alo ..... D23/247
- D. 260,810 9/1981 Cleveland ..... D23/245

**FOREIGN PATENT DOCUMENTS**

- 533642 9/1931 Fed. Rep. of Germany ..... 285/397
- 22737 8/1921 France ..... 285/239

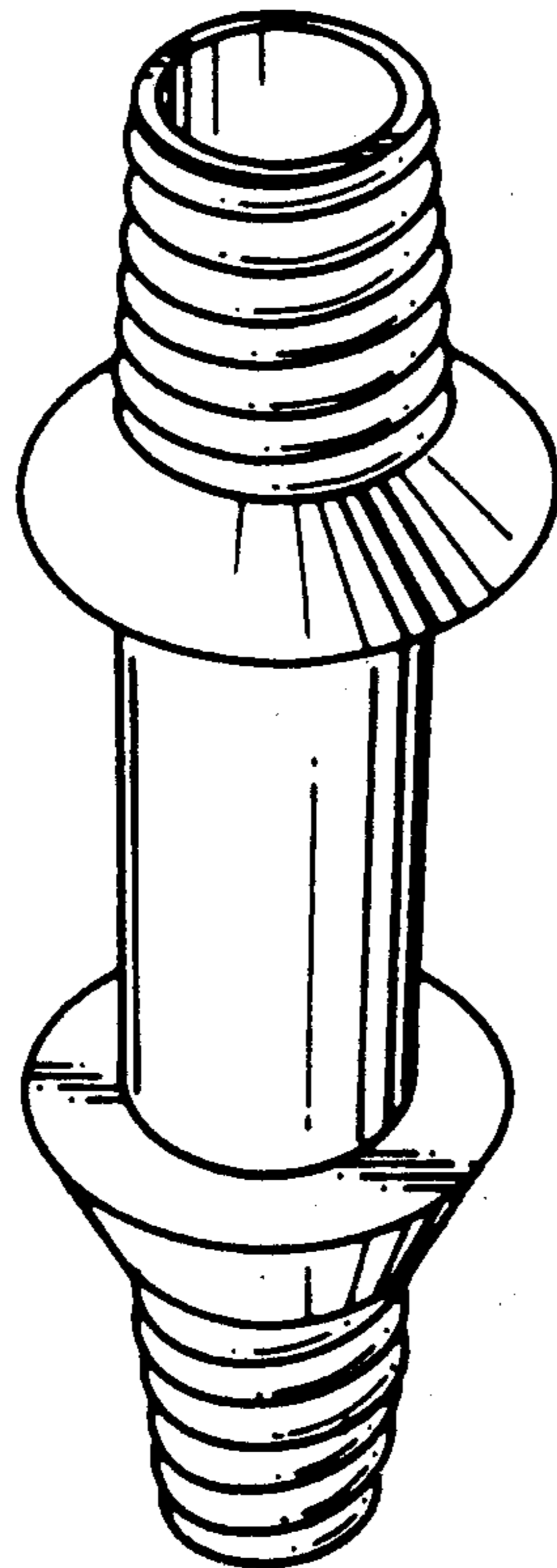
*Primary Examiner—Louis S. Zarfes*  
*Attorney, Agent, or Firm—Cushman, Darby & Cushman*

[57] **CLAIM**

The ornamental design for a threaded barb fitting, as shown and described.

**DESCRIPTION**

FIG. 1 is a side elevational view of a threaded barb fitting showing my new design;  
FIG. 2 is an end elevational view in the direction of arrow A on FIG. 1 thereof;  
FIG. 3 is an end perspective view thereof; and  
FIG. 4 is another end perspective view thereof.



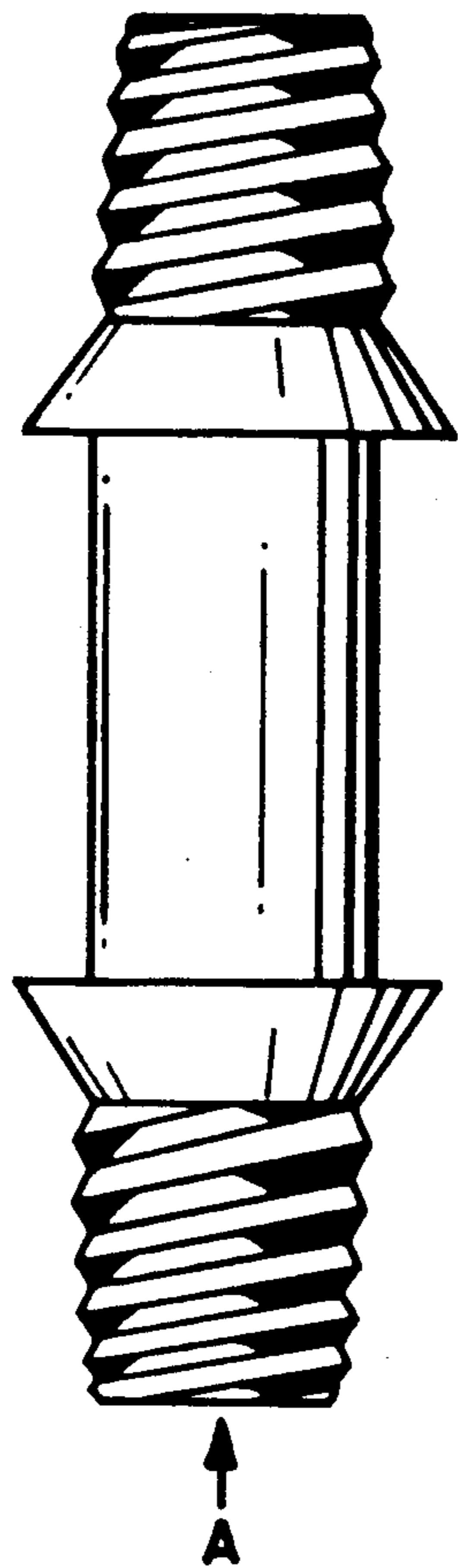
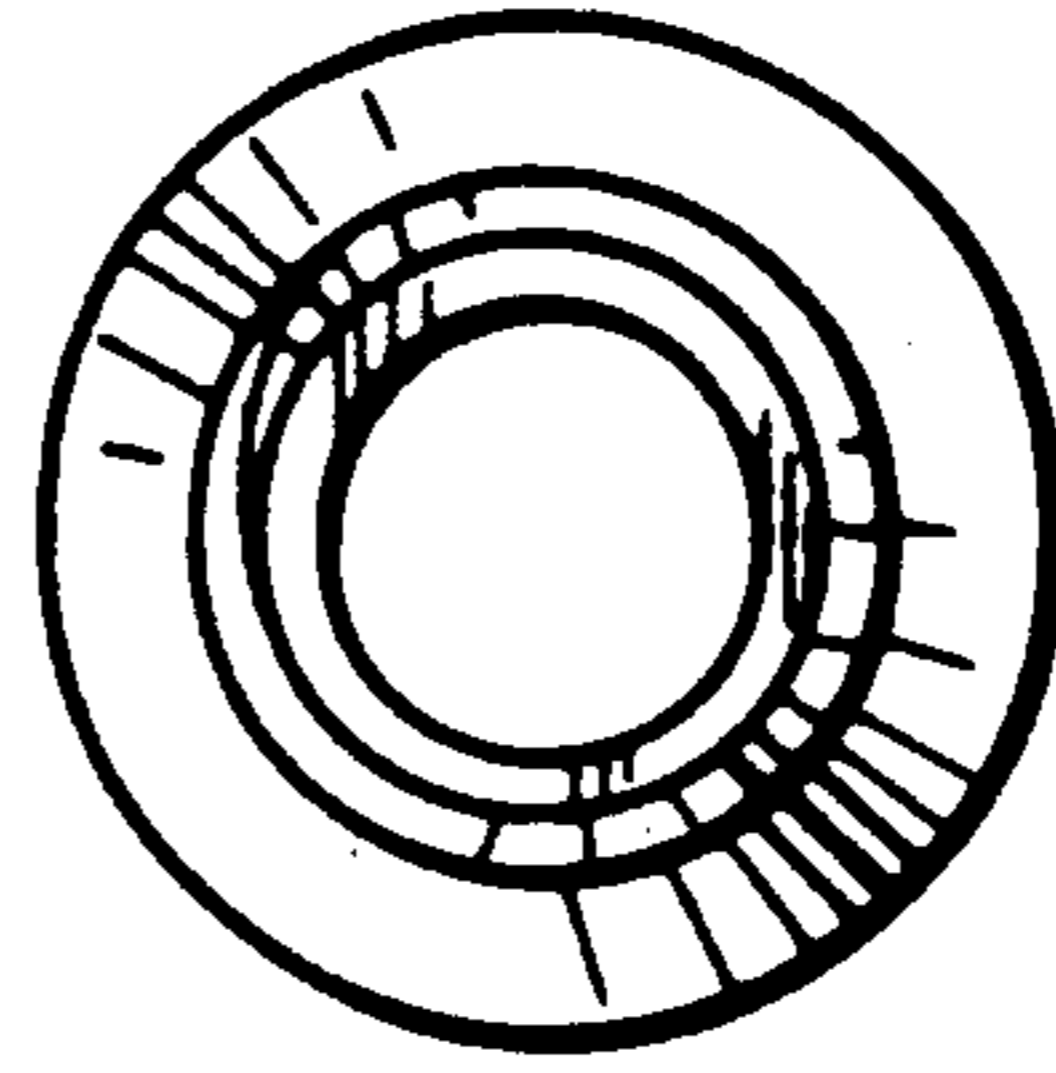


FIG. 1



VIEW ON ARROW 'A'

FIG. 2

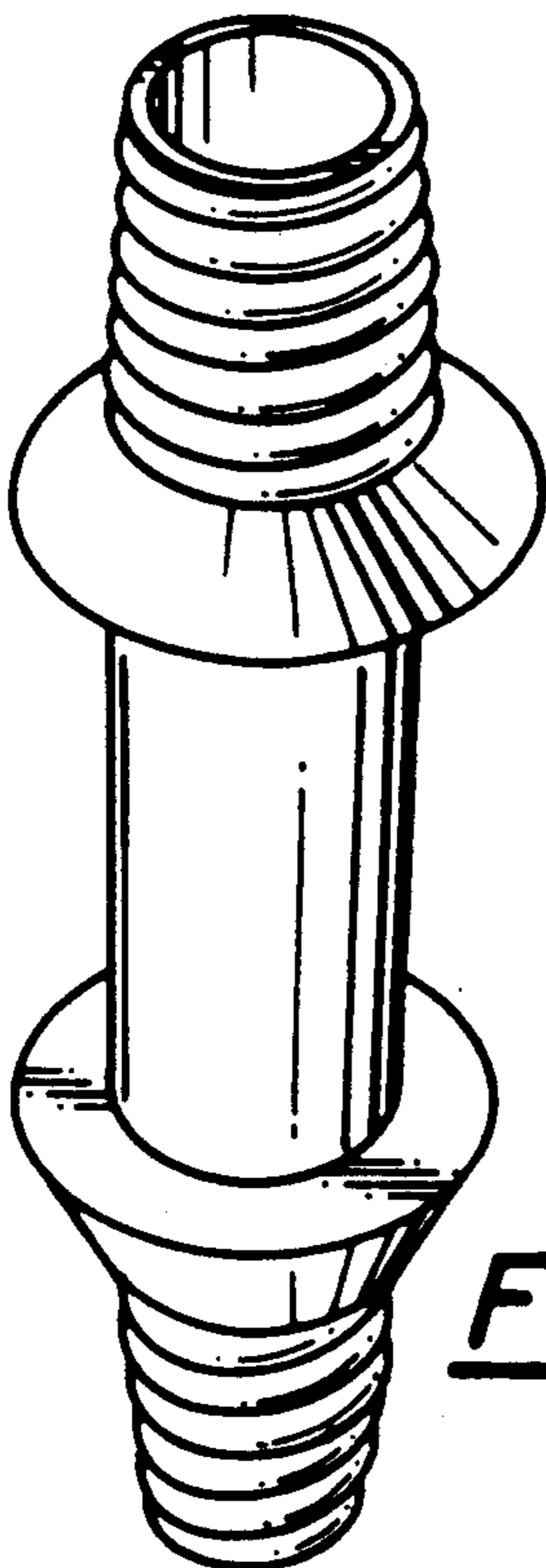


FIG. 3

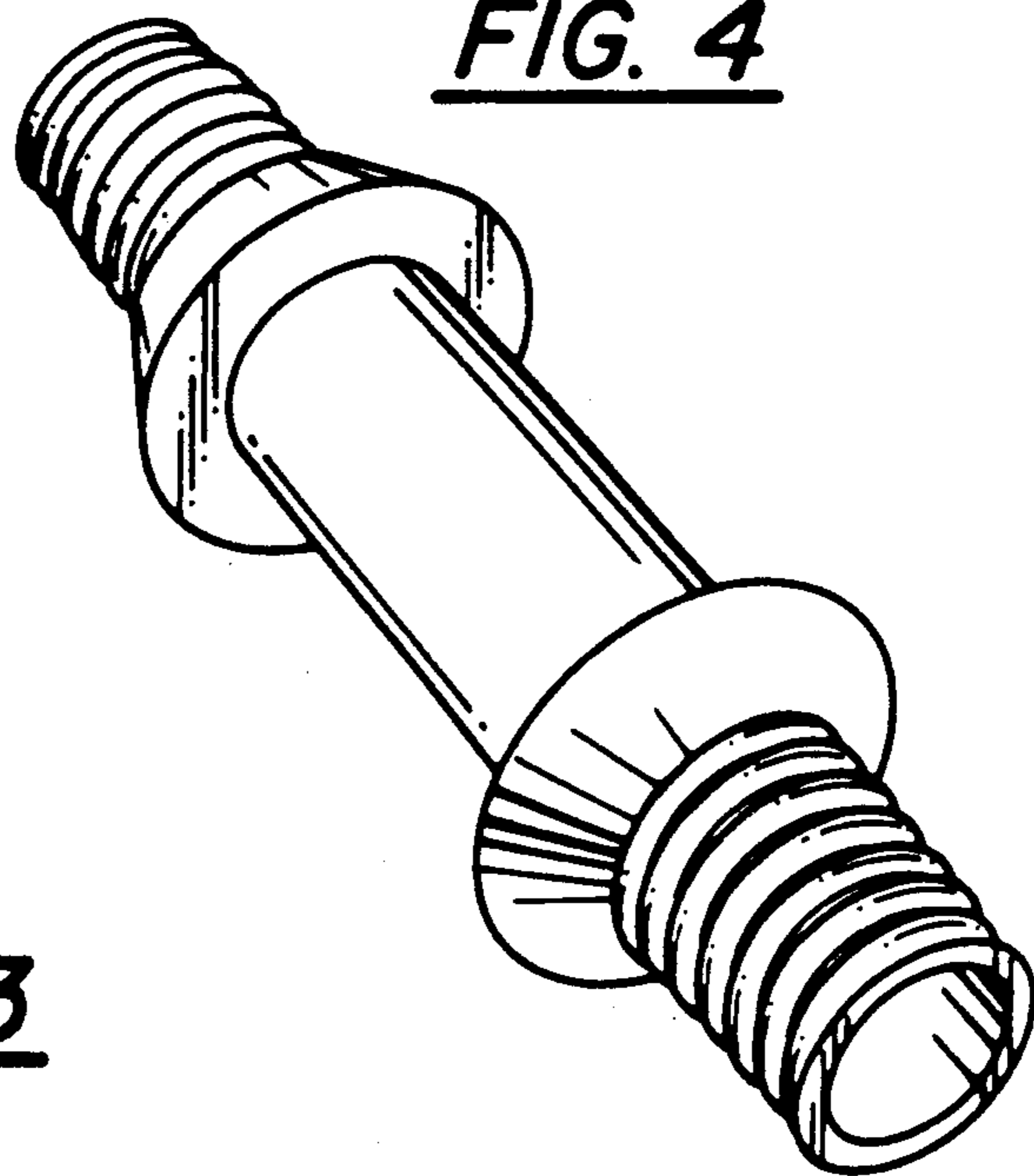


FIG. 4