

[54] **WATERING CAN**

[75] **Inventor: Heinz Hankammer, Taunusstein, Fed. Rep. of Germany**

[73] **Assignee: Brita Wasser-Filter-System AG, Eschenbach, Switzerland**

[**] **Term: 14 Years**

[21] **Appl. No.: 178,520**

[22] **Filed: Apr. 7, 1988**

[30] **Foreign Application Priority Data**

Oct. 8, 1987 [DE] Fed. Rep. of Germany ... MR 28469

[52] **U.S. Cl. D23/212**

[58] **Field of Search D23/812; 220/85 SD; 222/465.1, 468, 565, 567, 571, 572-573; 239/375-379; D7/514-516, 519, 300-301, 302**

[56] **References Cited**

U.S. PATENT DOCUMENTS

D. 256,152 7/1980 Darnell D23/212
D. 295,547 5/1988 Cuning D23/212
4,230,238 10/1980 Wilson 220/85 SP X

Primary Examiner—Susan J. Lucas
Assistant Examiner—M. H. Tung
Attorney, Agent, or Firm—Dann, Dorfman, Herrell & Skillman

[57] **CLAIM**

The ornamental design for a watering can, as shown.

DESCRIPTION

FIG. 1 is a perspective view of a watering can showing my new design;

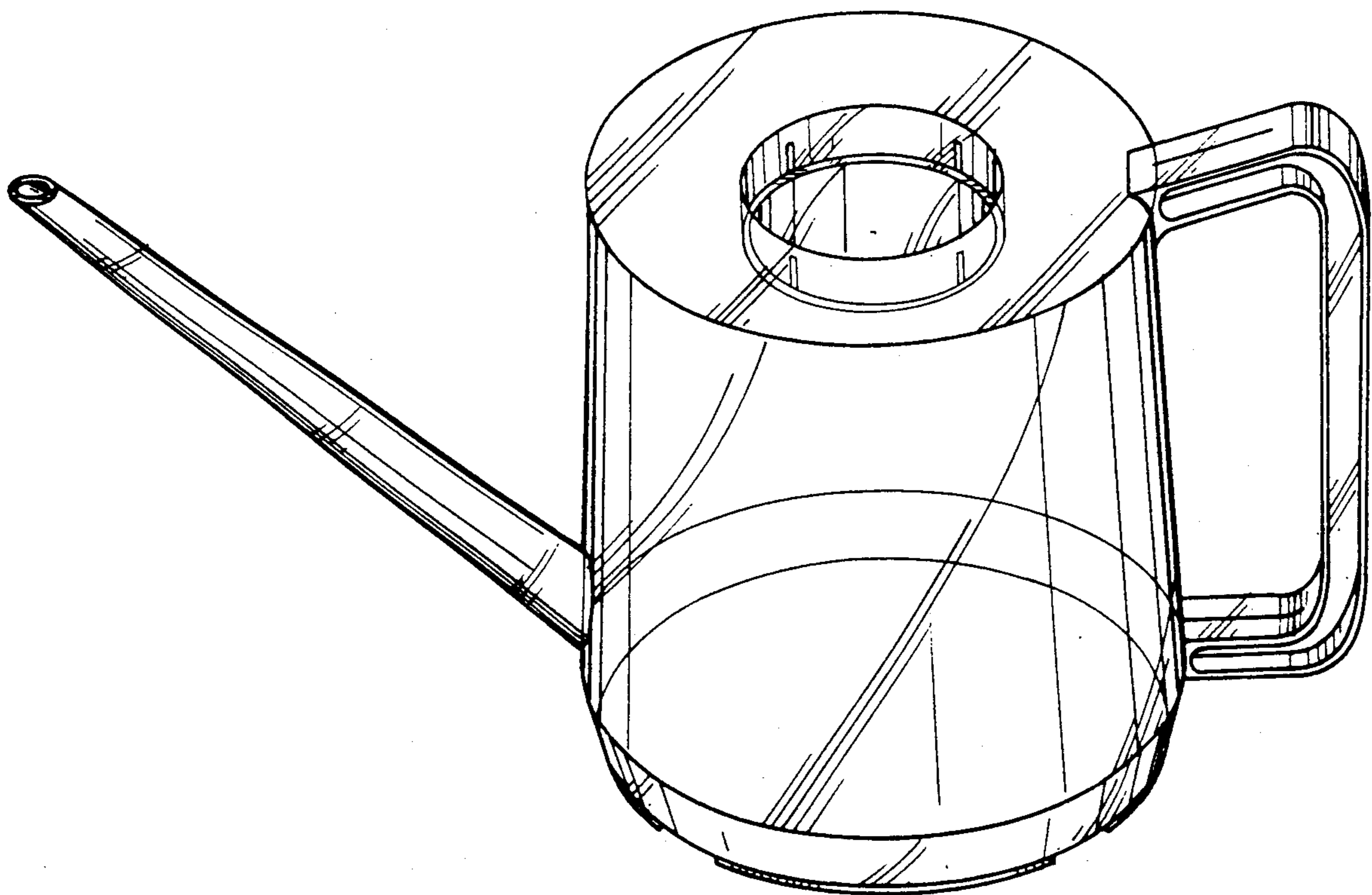
FIG. 2 is a front elevational view thereof;

FIG. 3 is a right side elevational view thereof;

FIG. 4 is a left side elevational view thereof;

FIG. 5 is bottom plan view thereof; and

FIG. 6 is a top plan view thereof.



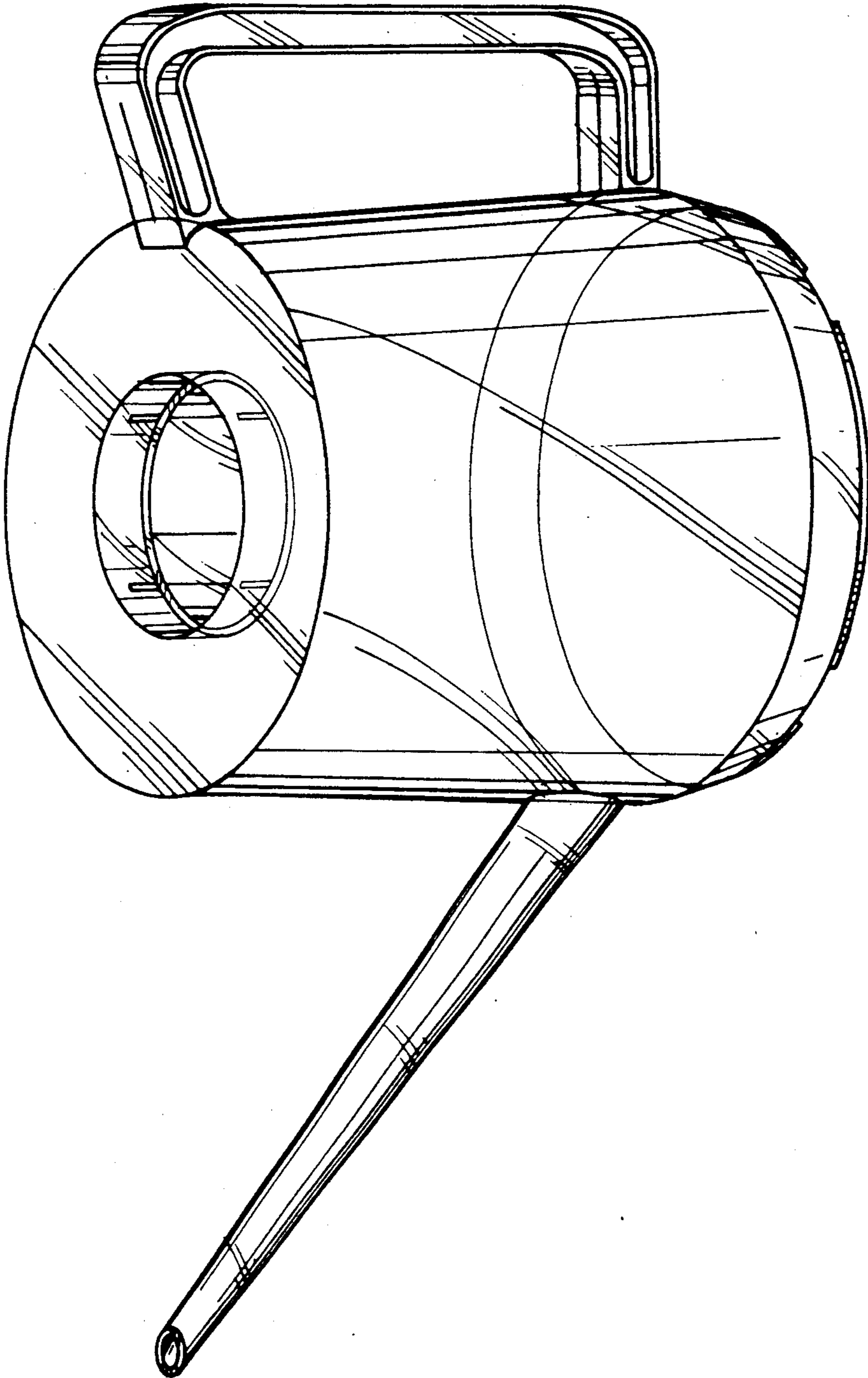


FIG. 1

FIG. 2

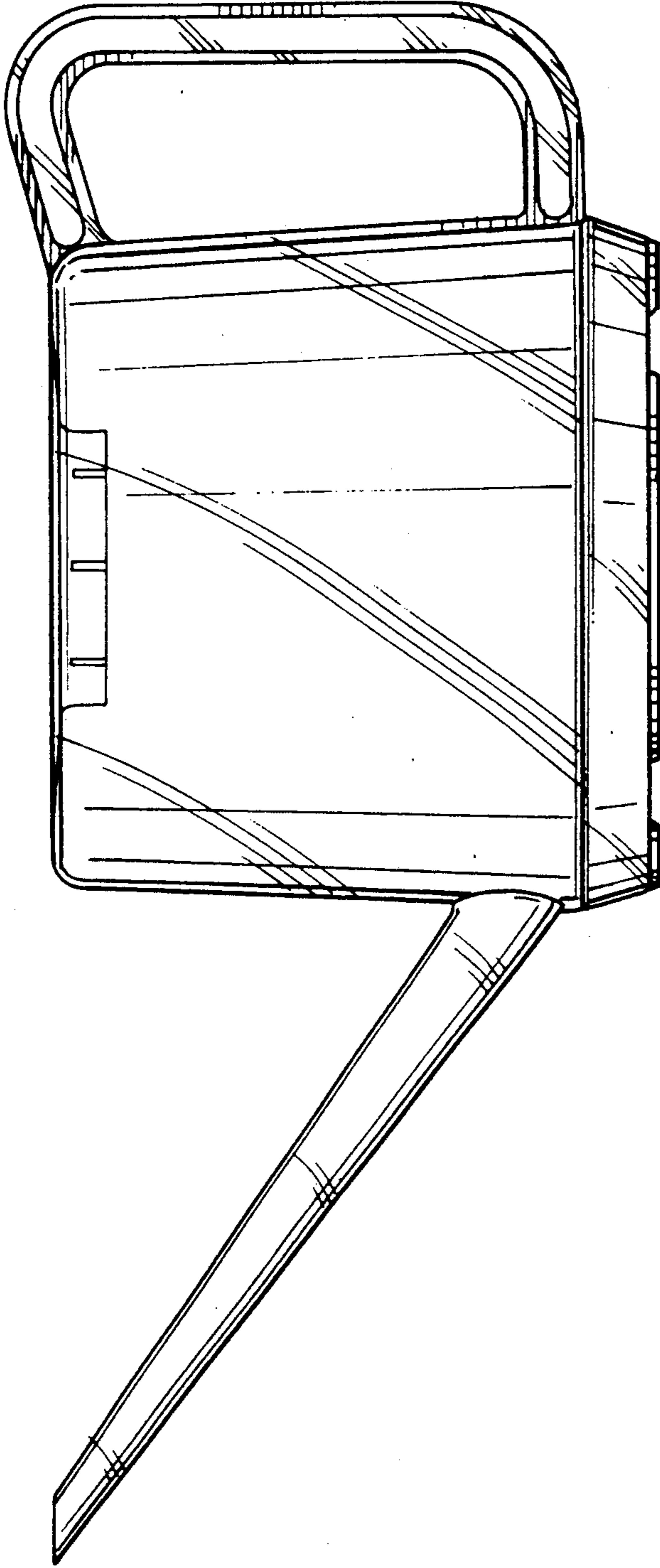


FIG. 4

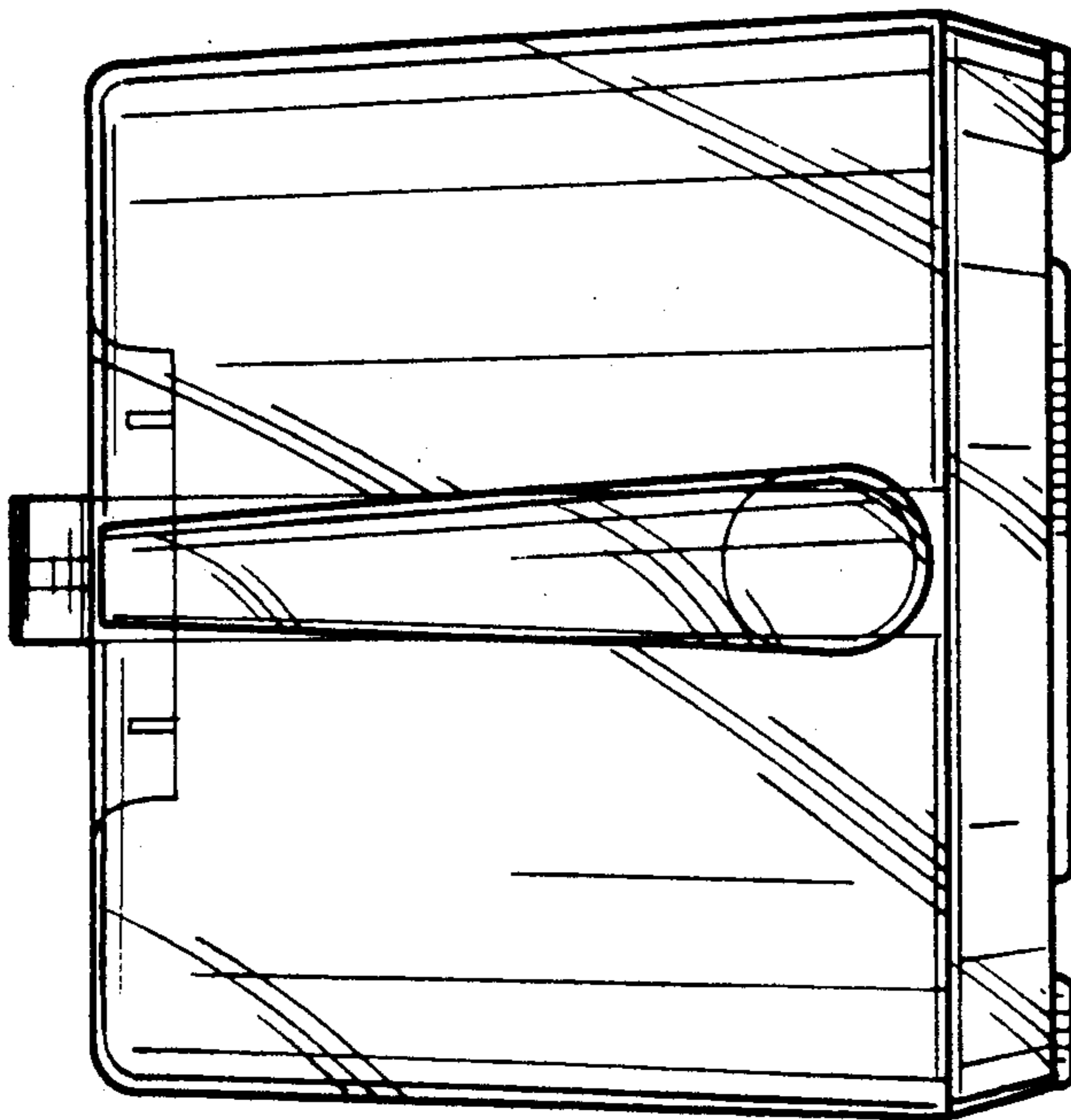
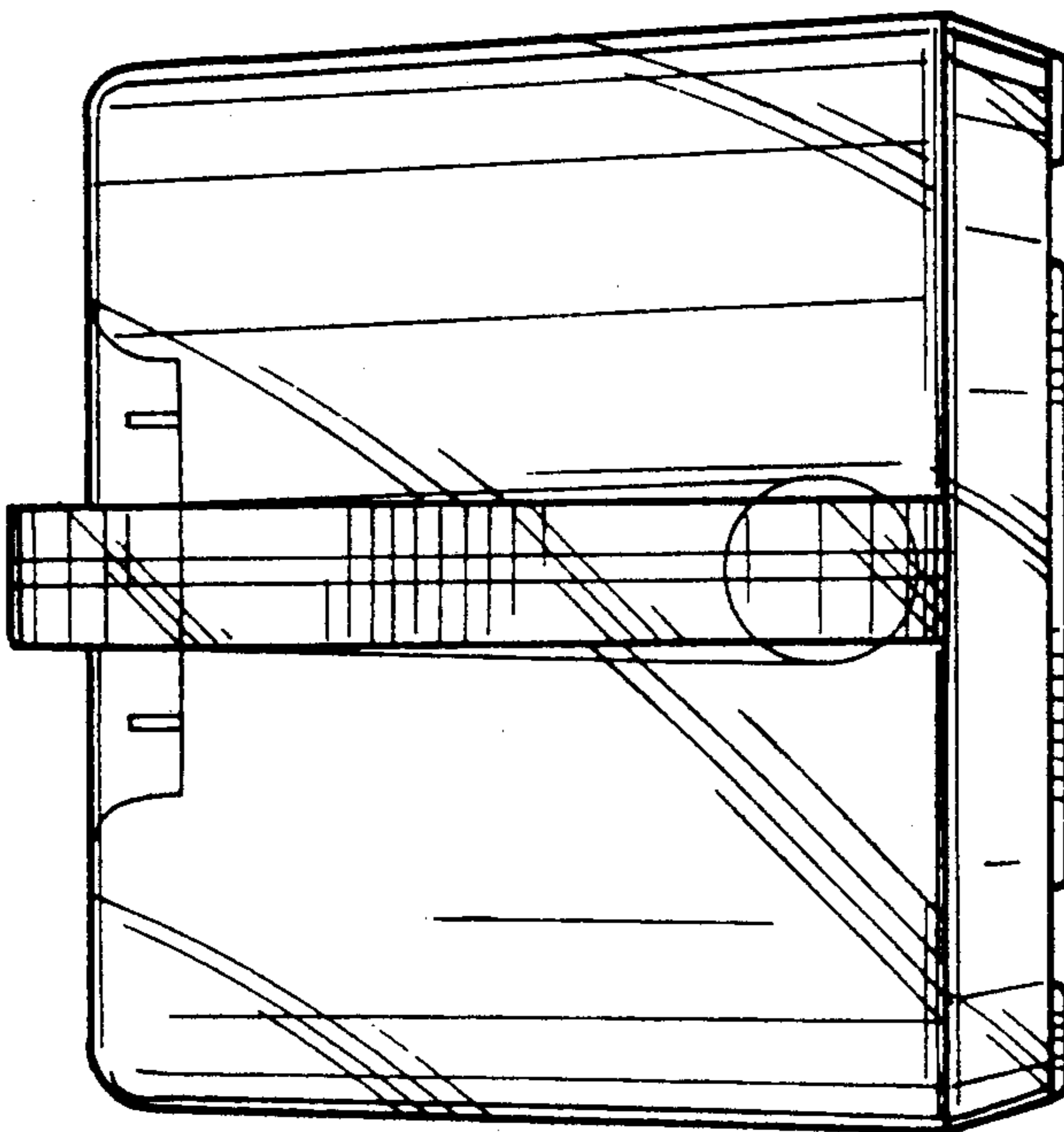


FIG. 3



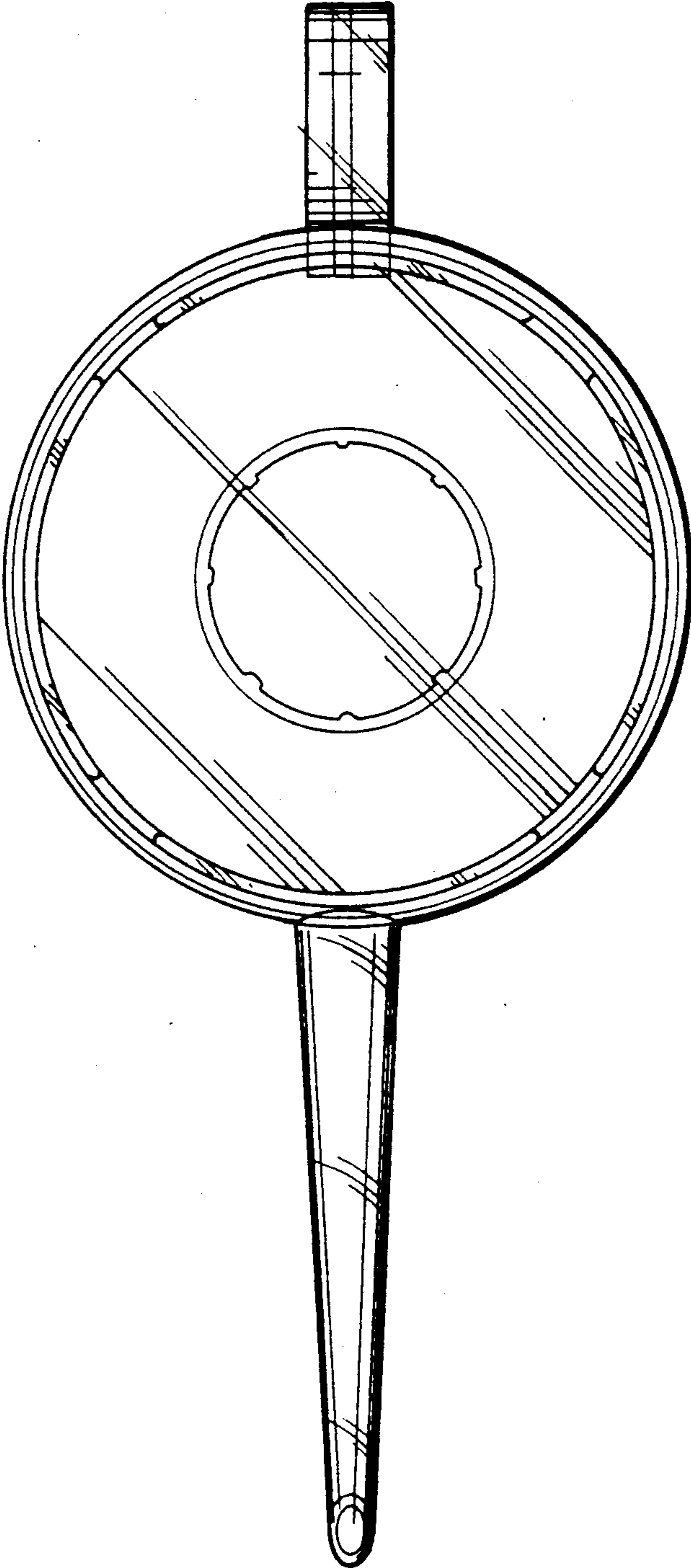


FIG. 5

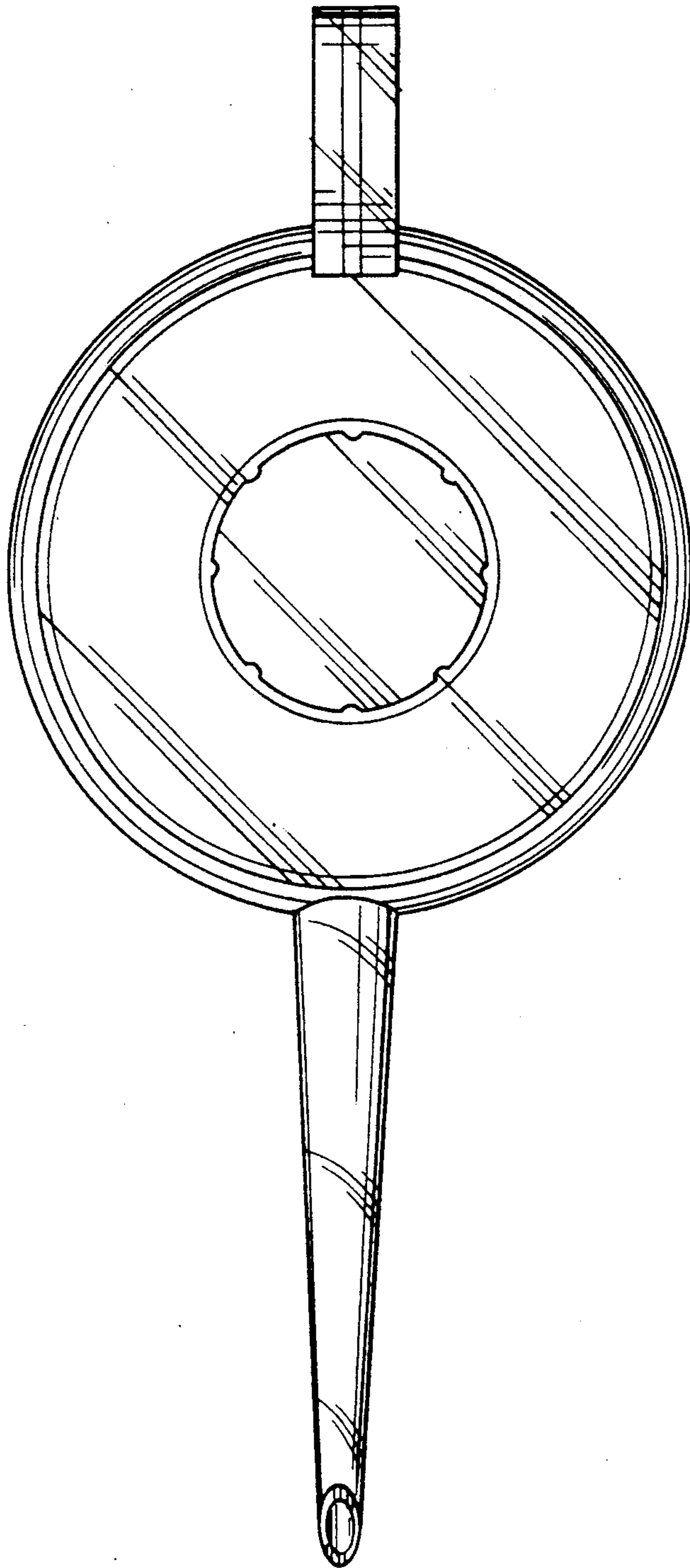


FIG. 6