

United States Patent [19]

Sherman

[11] Patent Number: **Des. 318,094**

[45] Date of Patent: **** Jul. 9, 1991**

[54] **WATER PURIFIER**

[75] Inventor: **Mark Sherman, St. Louis, Mo.**

[73] Assignee: **Floatron, Inc., St. Louis, Mo.**

[**] Term: **14 Years**

[21] Appl. No.: **483,946**

[22] Filed: **Feb. 22, 1990**

3,184,064	5/1965	Sampson et al.	210/266 X
3,222,269	11/1965	Stanton	204/270
3,929,648	12/1975	Cuthbert	210/445
4,337,136	6/1982	Dahlgren	204/242
4,352,722	10/1982	Ohkawa	204/129
4,525,253	6/1985	Hayes et al.	204/149
4,525,272	6/1985	Henson	210/149
4,769,119	9/1988	Grundler	204/149

FOREIGN PATENT DOCUMENTS

8601543 3/1986 PCT Int'l Appl. .

Primary Examiner—Susan J. Lucas

Assistant Examiner—M. H. Tung

Attorney, Agent, or Firm—Polster, Polster and Lucchesi

Related U.S. Application Data

[63] Continuation-in-part of Ser. No. 343,932, Apr. 26, 1989.

[52] U.S. Cl. **D23/209**

[58] Field of Search D23/200, 207-210; 210/136, 198.1, 205-206, 231, 241, 244-245, 257.1-257.2, 258, 260-261, 266, 269, 275, 282, 288-290, 295, 321.6, 321.64, 321.78, 416.3, 443-449; D13/102; 136/291; 204/129, 149, 242, 270, 272

[57] **CLAIM**

The ornamental design for a water purifier, as shown and described.

DESCRIPTION

FIG. 1 is a side top perspective view of a water purifier showing my new design;

FIG. 2 is a top plan view thereof;

FIG. 3 is a side elevational view thereof; and

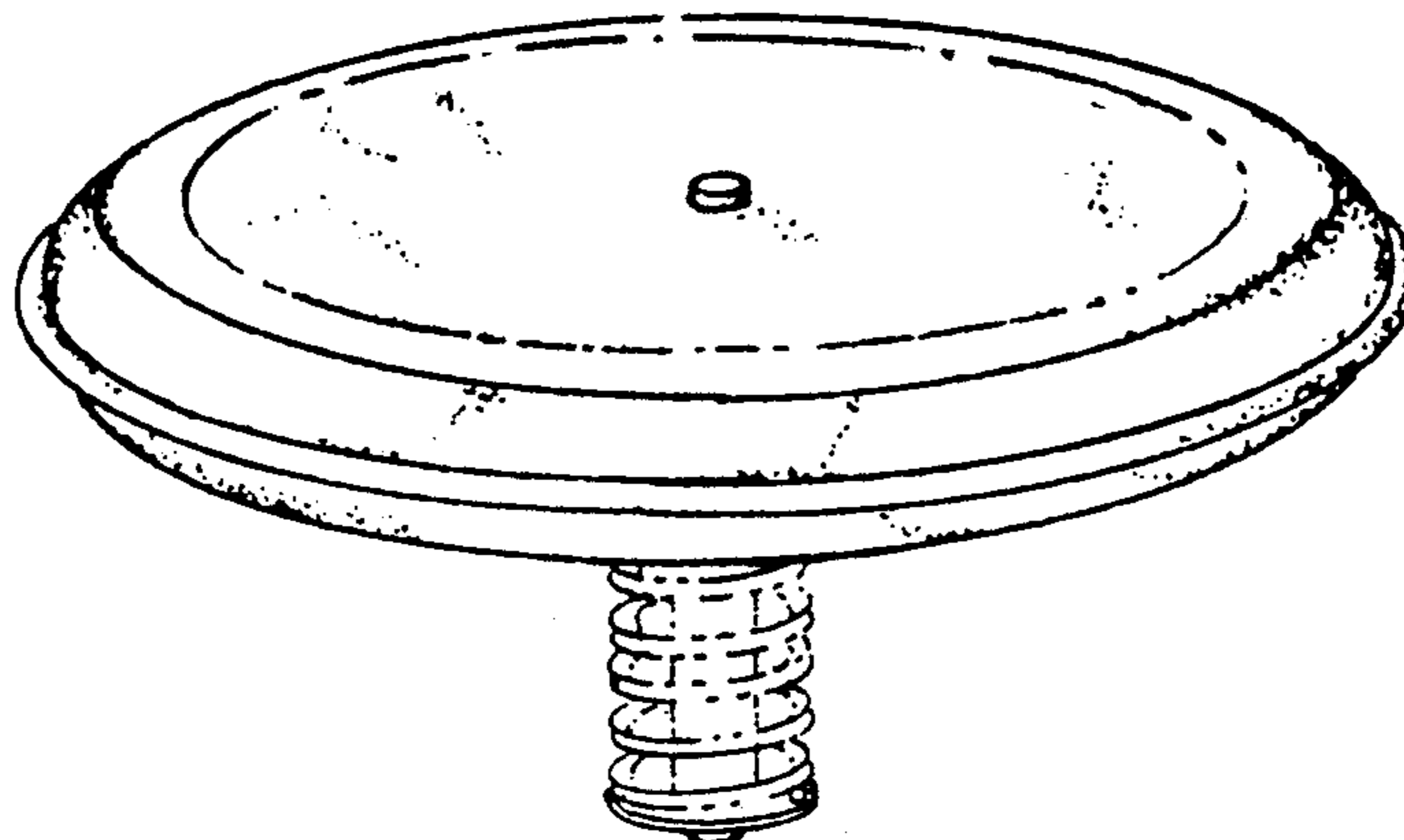
FIG. 4 is a bottom plan view thereof.

The broken line drawing is for illustrative purposes only and forms no part of the claimed design.

[56] **References Cited**

U.S. PATENT DOCUMENTS

D. 212,090	8/1968	Edmiston	D23/209
D. 224,401	7/1972	Clinton	D23/207
D. 305,682	1/1990	Stromberg	D23/209



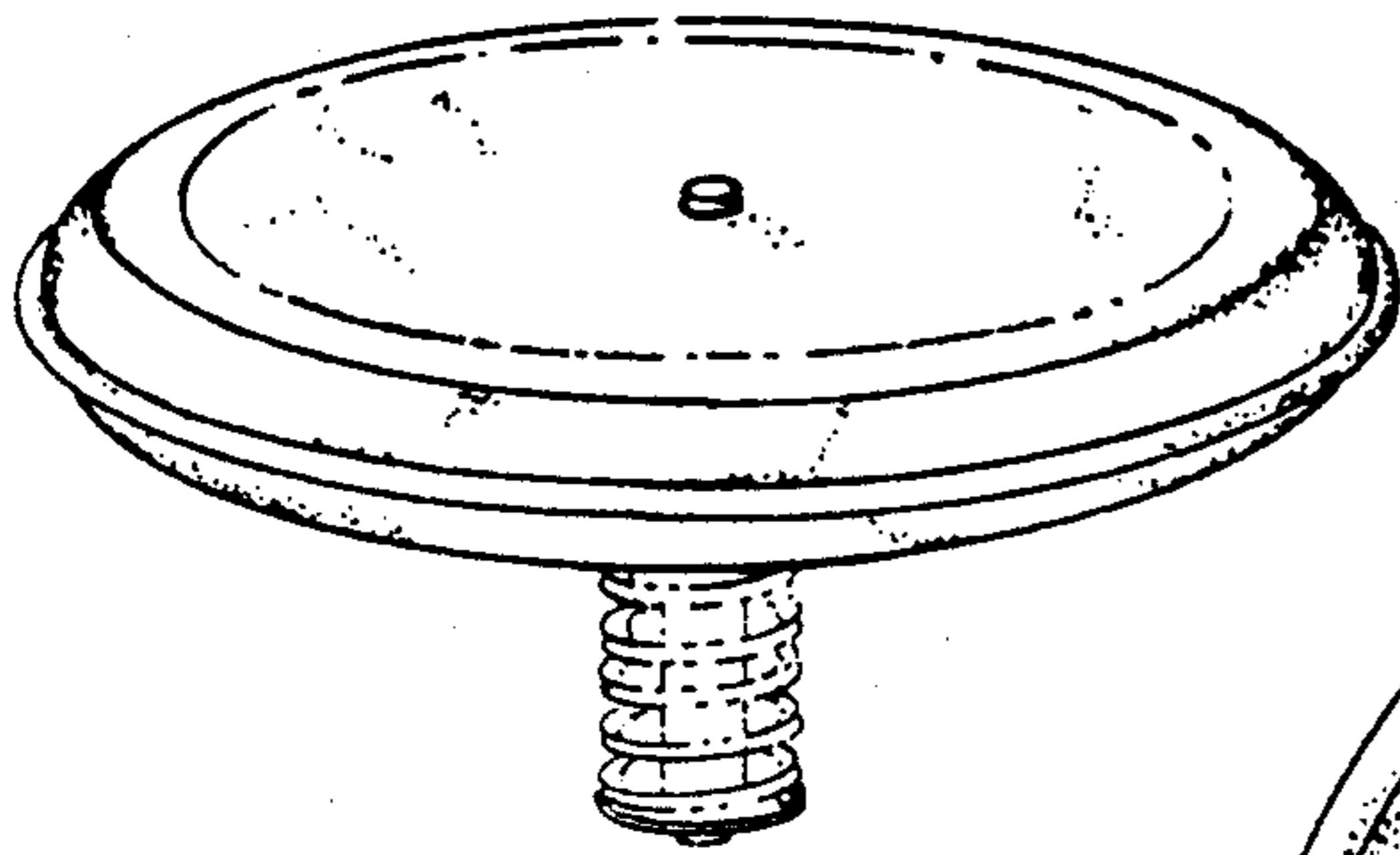


FIG. 1.

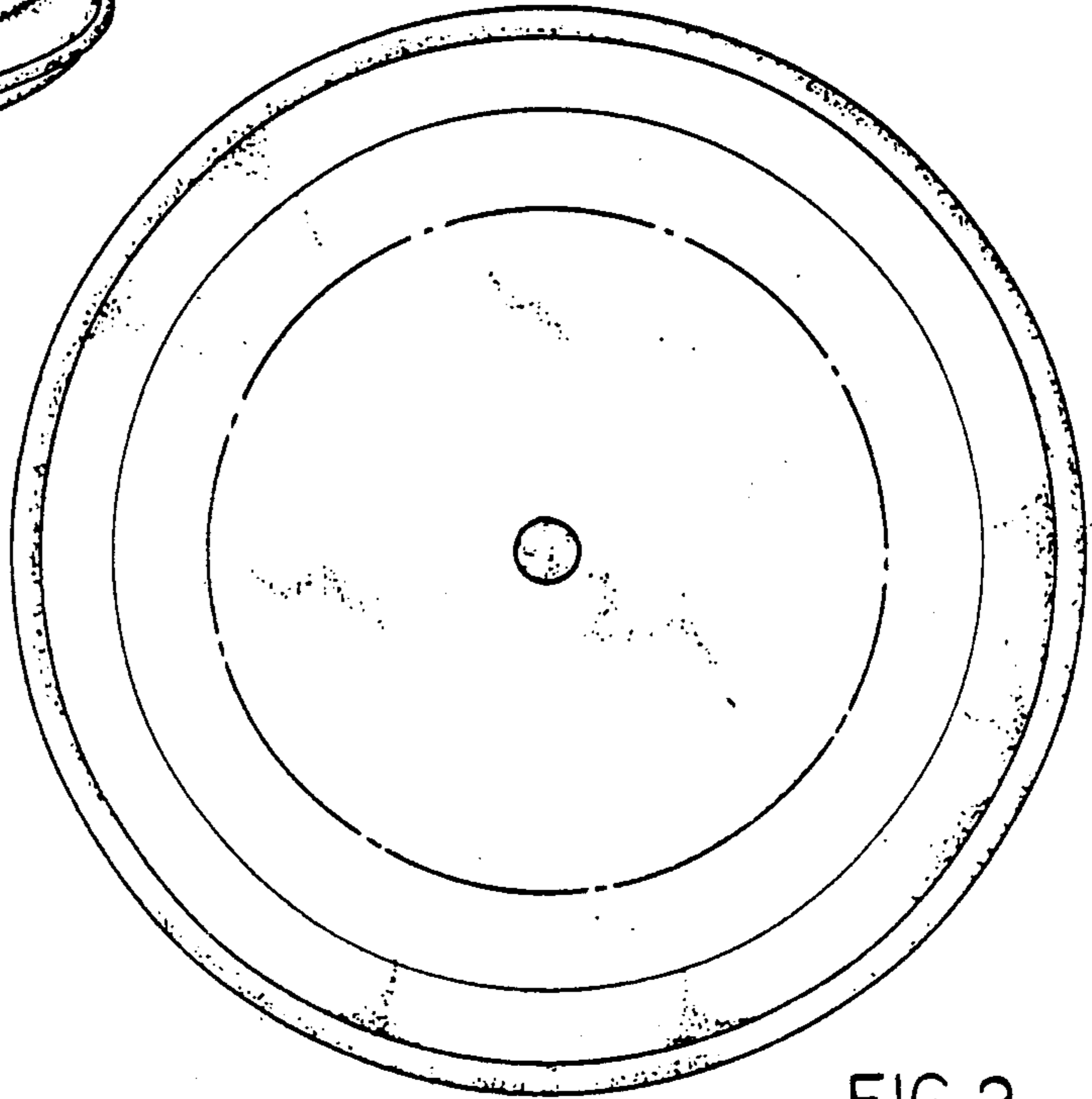


FIG. 2.

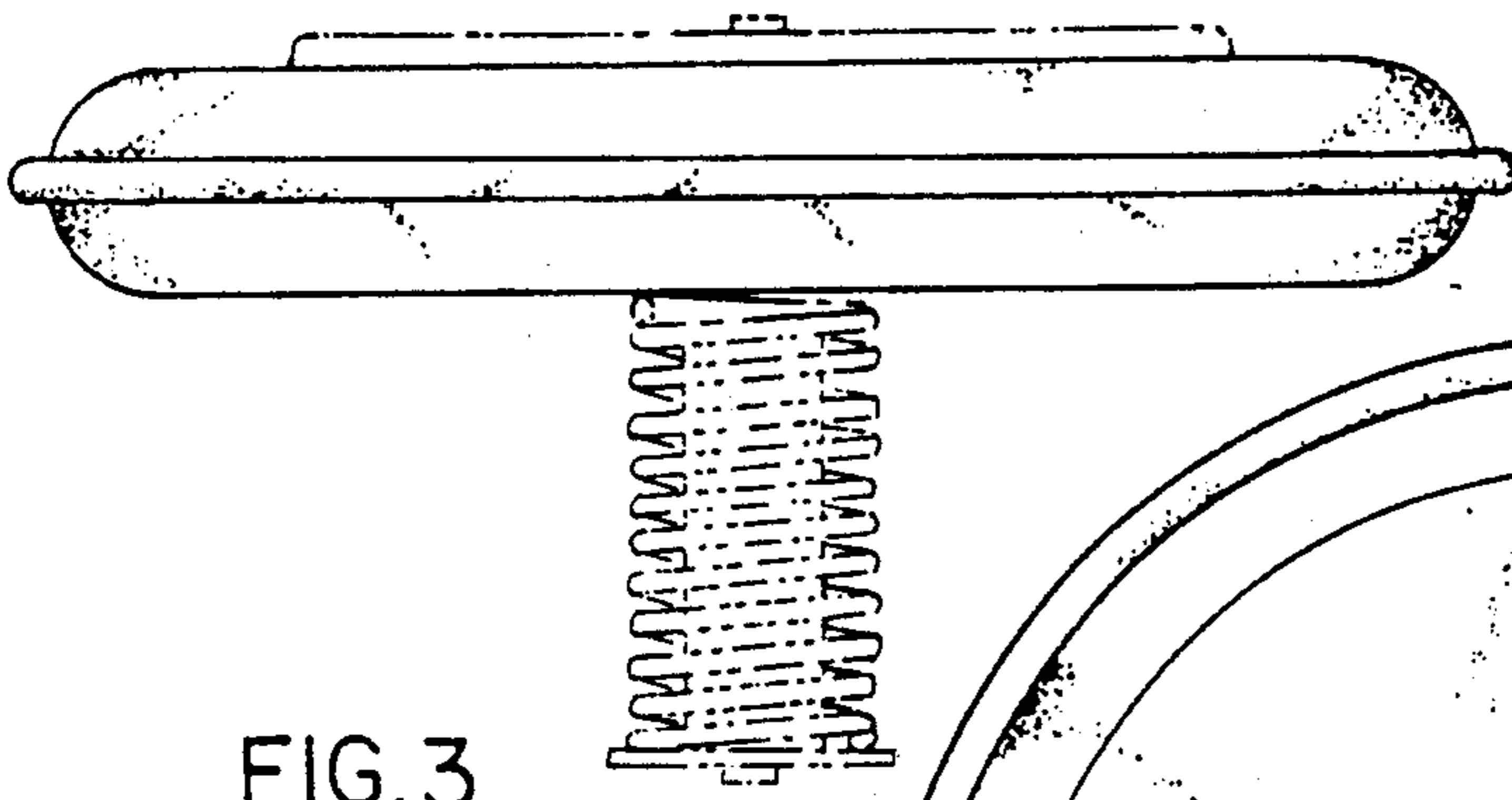


FIG. 3.

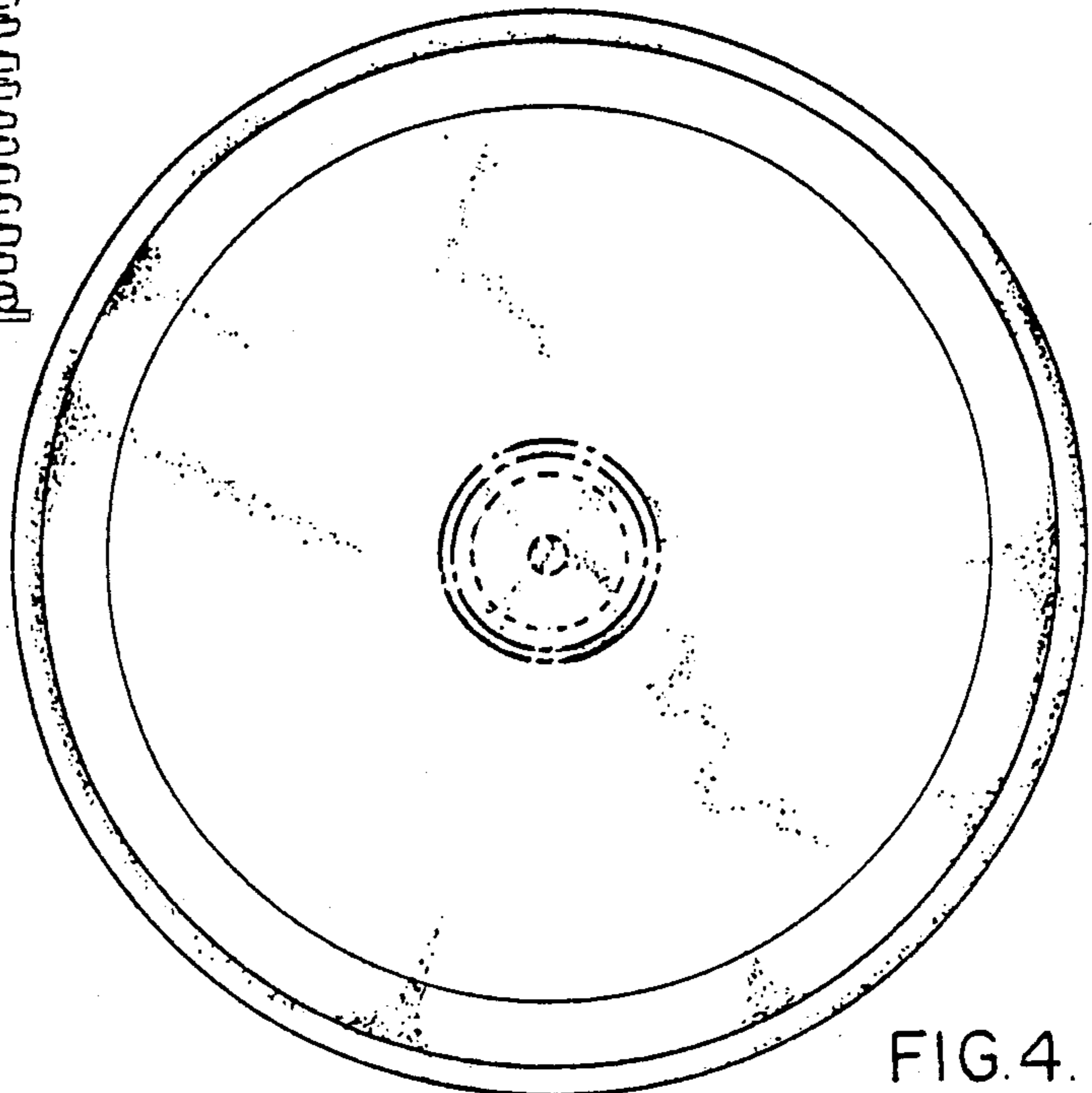


FIG. 4.