

[54] WATER FILTER OR SIMILAR ARTICLE

[76] Inventor: George Ferguson, 7740 E. Glenrosa, No. 112, Scottsdale, Ariz. 85251

[**] Term: 14 Years

[21] Appl. No.: 482,404

[22] Filed: Feb. 20, 1990

[52] U.S. Cl. D23/209

[58] Field of Search D23/200, 207-210; 210/136, 198.1, 205-206, 231, 241, 244-245, 257.1-257.2, 258, 260-261, 269, 275, 282, 288-290, 295, 321.6, 321.78, 416.3, 443-449

[56] References Cited

U.S. PATENT DOCUMENTS

- D. 282,767 7/1986 Shofner D23/209
- D. 296,126 6/1988 Clark D23/207

- D. 296,463 6/1988 Padillo D23/207 X
- D. 307,933 5/1990 Baer D23/209
- D. 310,707 9/1990 Sedman D23/209
- 4,218,317 8/1980 Nirschmann 210/449 X

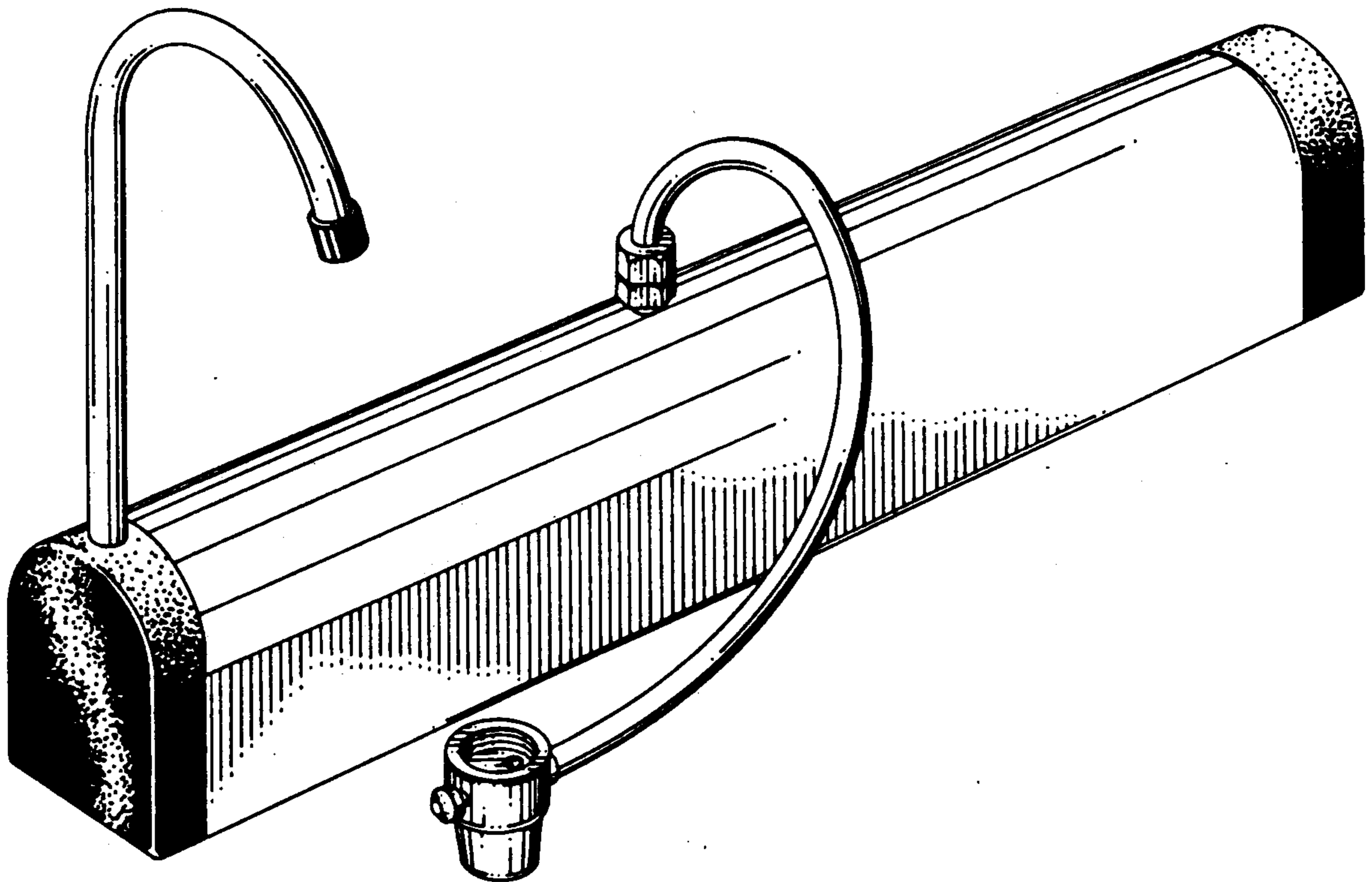
Primary Examiner—Susan J. Lucas
Assistant Examiner—M. H. Tung
Attorney, Agent, or Firm—David G. Rosenbaum

[57] CLAIM

The ornamental design for a water filter, as shown and described.

DESCRIPTION

FIG. 1 is a front perspective view of a water filter showing my new design, on an enlarged scale; FIG. 2 is an end elevational view thereof; FIG. 3 is a rear elevational view thereof. FIG. 4 is a bottom plan view thereof. The ends of the filter are shaded to indicate a contrast.



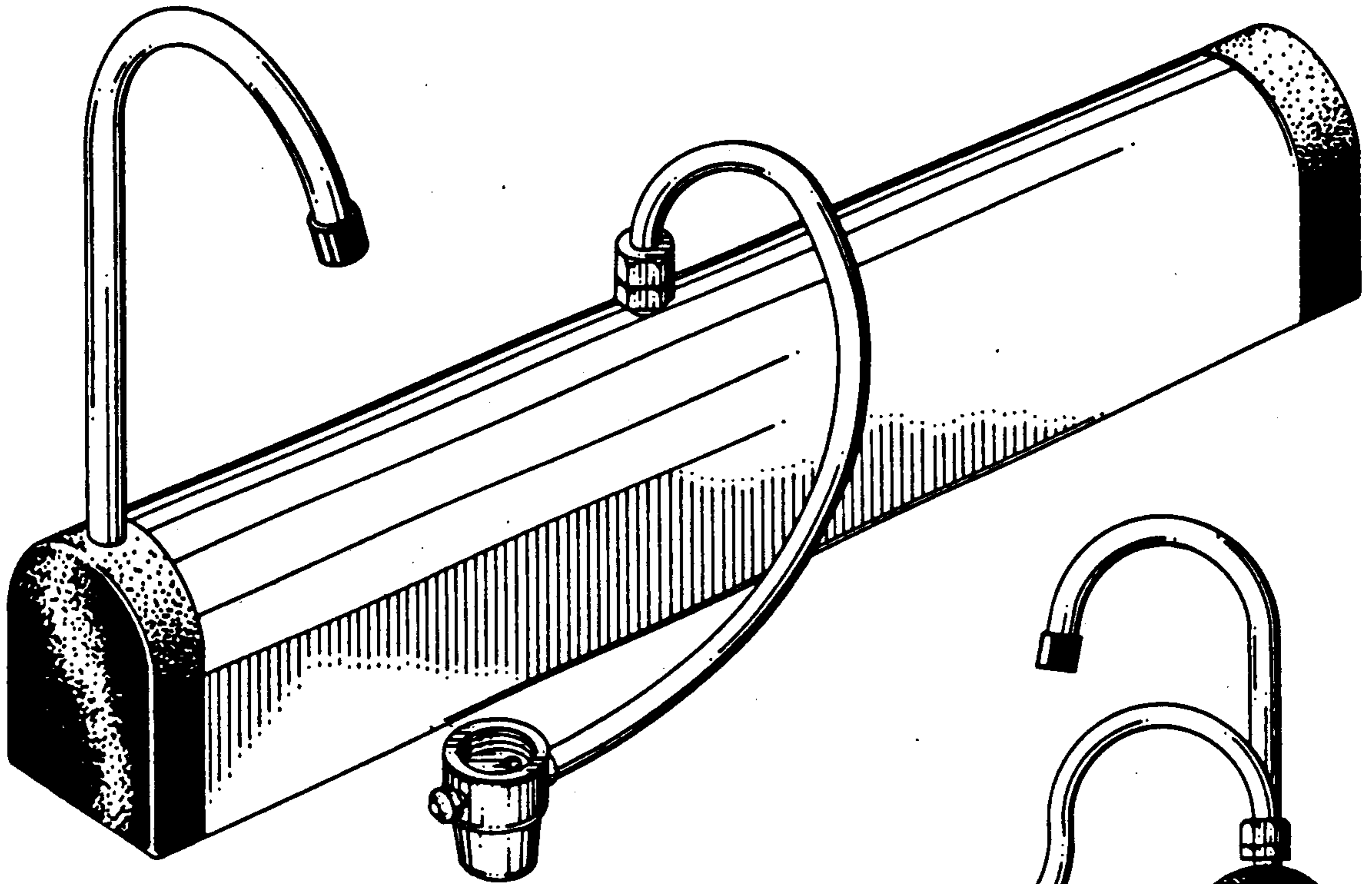


FIG. 1

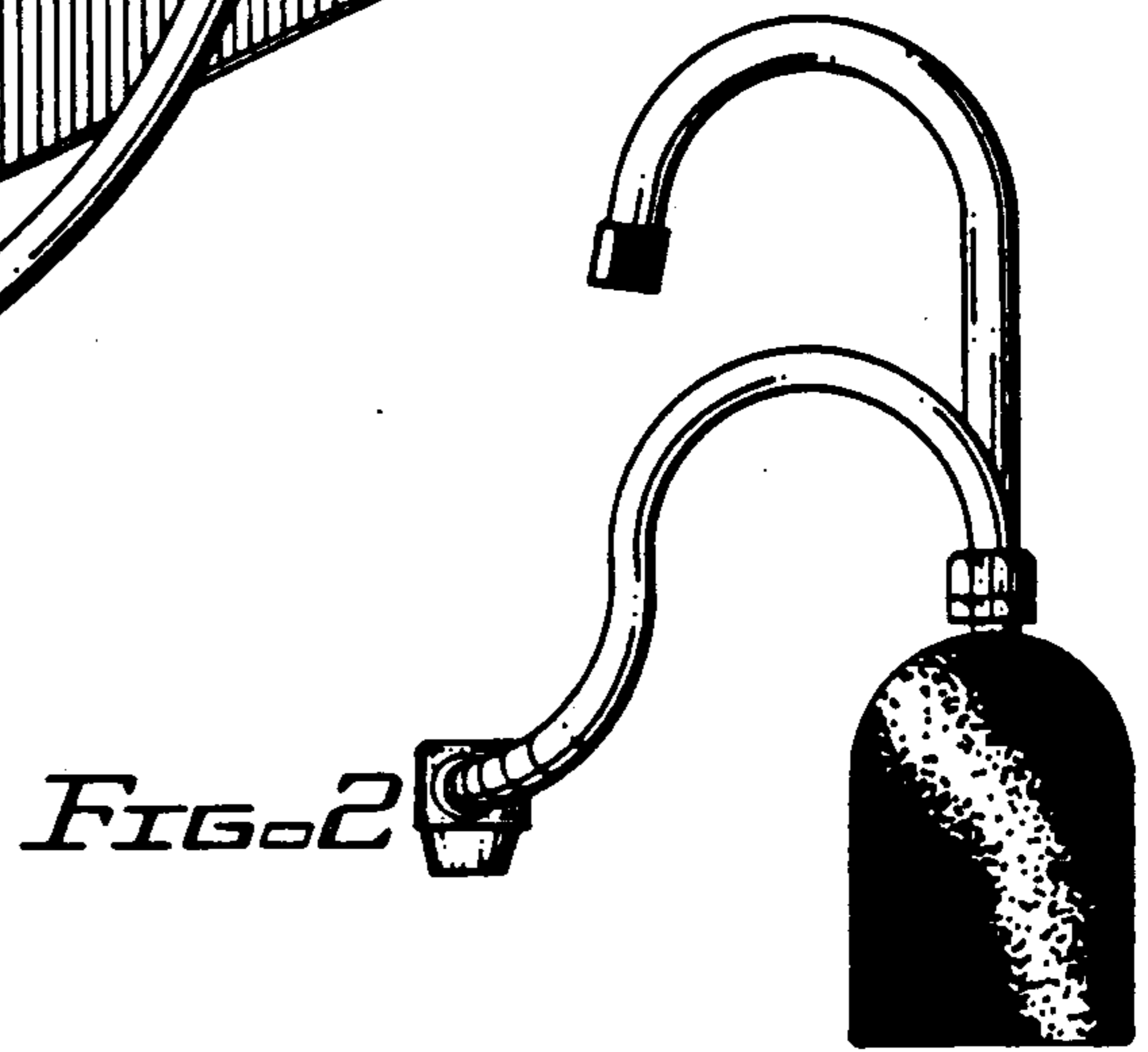


FIG. 2

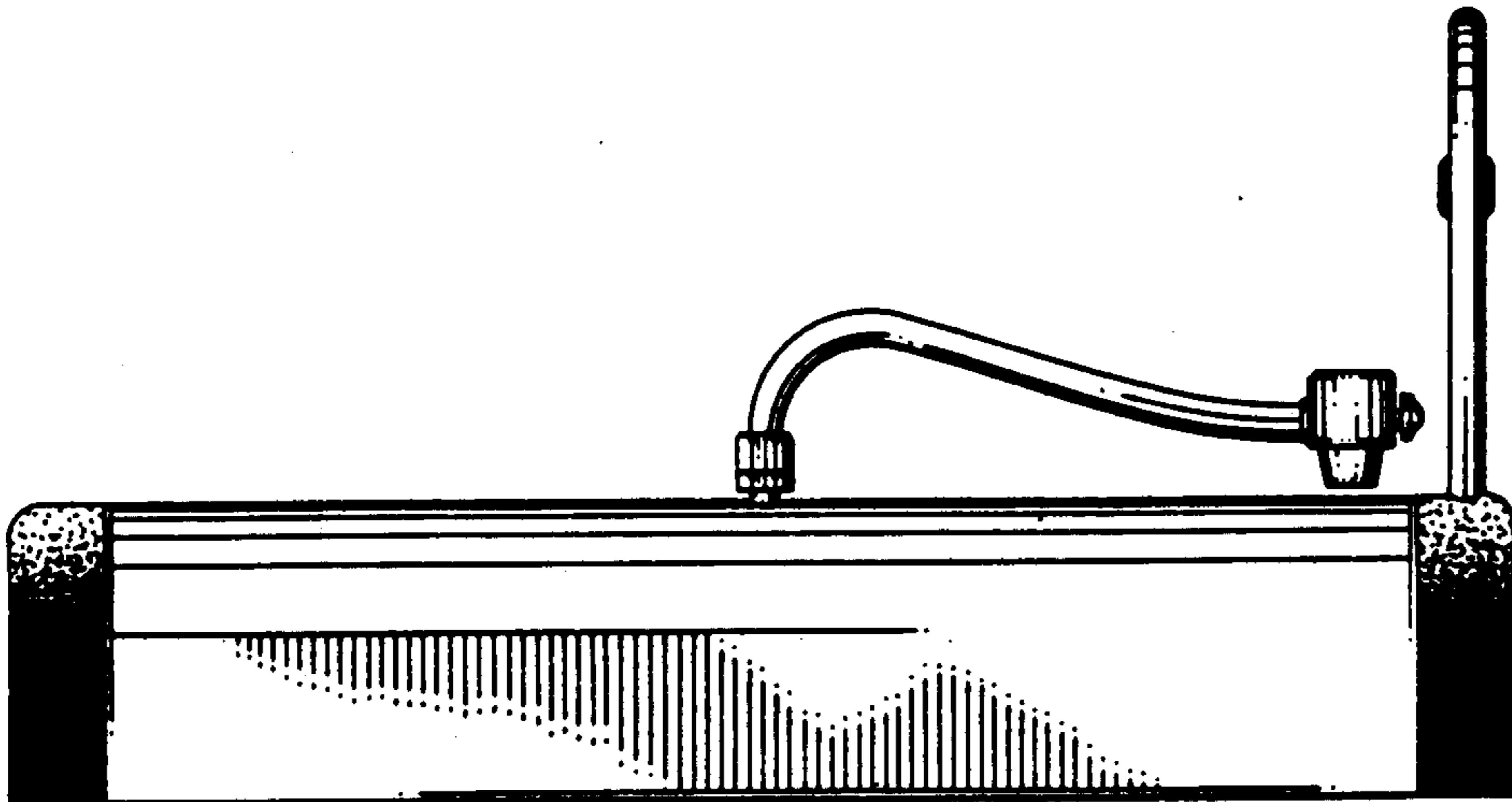


FIG. 3

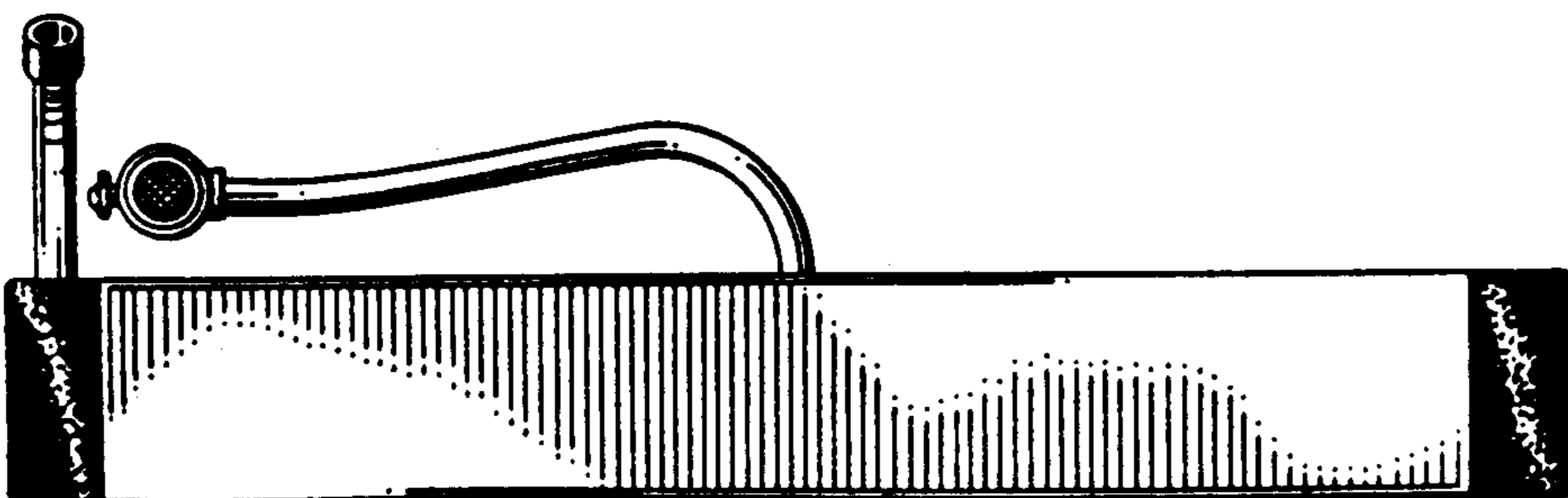


FIG. 4