

[54] WATER PURIFIER

[75] Inventor: Mark Sherman, St. Louis, Mo.

[73] Assignee: Floatron, Inc., St. Louis, Mo.

[**] Term: 14 Years

[21] Appl. No.: 343,932

[22] Filed: Apr. 26, 1989

[52] U.S. Cl. D23/209

[58] Field of Search D23/200, 207-210; 210/136, 198.1, 205-206, 231, 241, 244-245, 257.1-257.2, 258, 260-261, 266, 269, 275, 282, 288-290, 295, 321.6, 321.64, 321.78, 416.3, 443-449; D13/102

[56] References Cited

U.S. PATENT DOCUMENTS

D. 212,090	8/1968	Edmiston	D23/209
D. 224,401	7/1972	Clinton	D23/207
D. 305,682	1/1990	Stromberg	D23/209
3,184,064	5/1965	Sampson et al.	210/266 X
3,222,269	11/1965	Stanton	204/270
3,929,648	12/1973	Cuthbert	210/445

4,337,136	6/1982	Dahlgren	204/242
4,352,722	10/1982	Ohkawa	204/129
4,525,253	6/1985	Hayes et al.	204/149
4,525,272	6/1985	Henson	210/149
4,769,119	9/1988	Grundler	204/149

FOREIGN PATENT DOCUMENTS

8601543 3/1986 PCT Int'l Appl. .

Primary Examiner—Susan J. Lucas

Assistant Examiner—M. H. Tung

Attorney, Agent, or Firm—Polster, Polster and Lucchesi

[57] CLAIM

The ornamental design for a water purifier, as shown and described.

DESCRIPTION

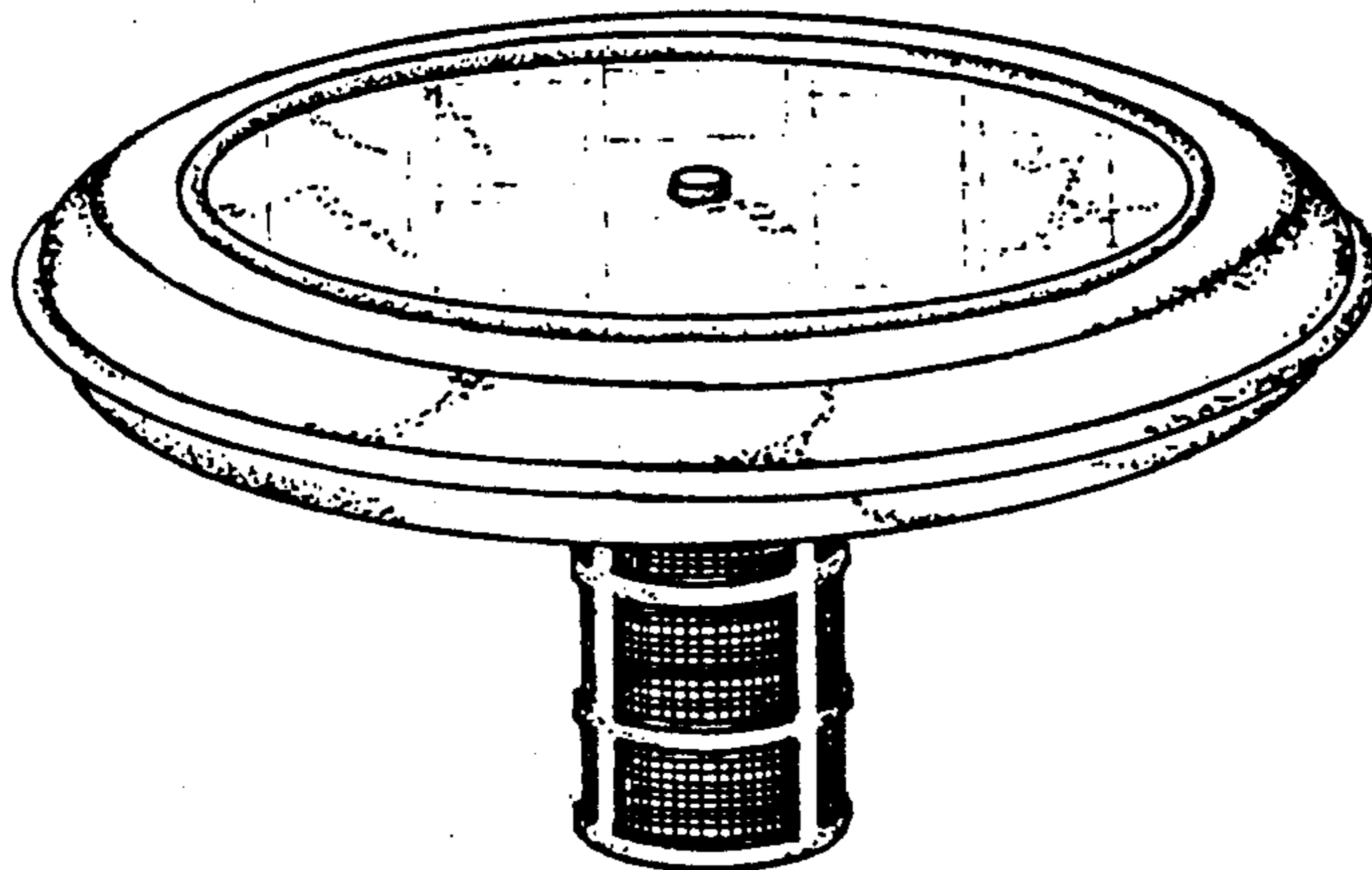
FIG. 1 is a side top perspective view of a water purifier showing my new design;

FIG. 2 is a top plan view thereof;

FIG. 3 is a side elevational view thereof; and

FIG. 4 is a bottom plan view thereof.

The broken line drawing of solar panels is for illustrative purposes only and forms no part of the claimed design.



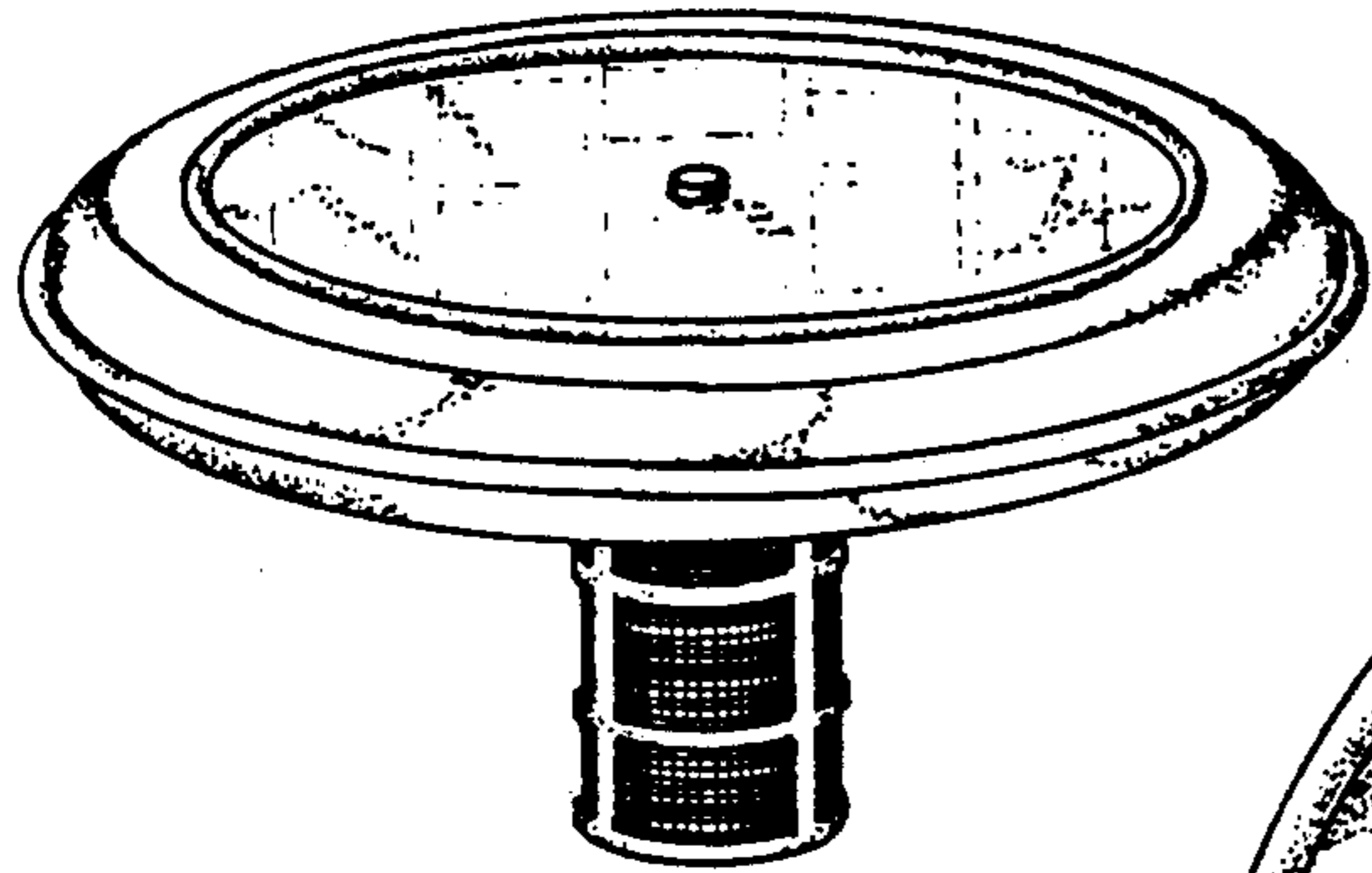


FIG. 1.

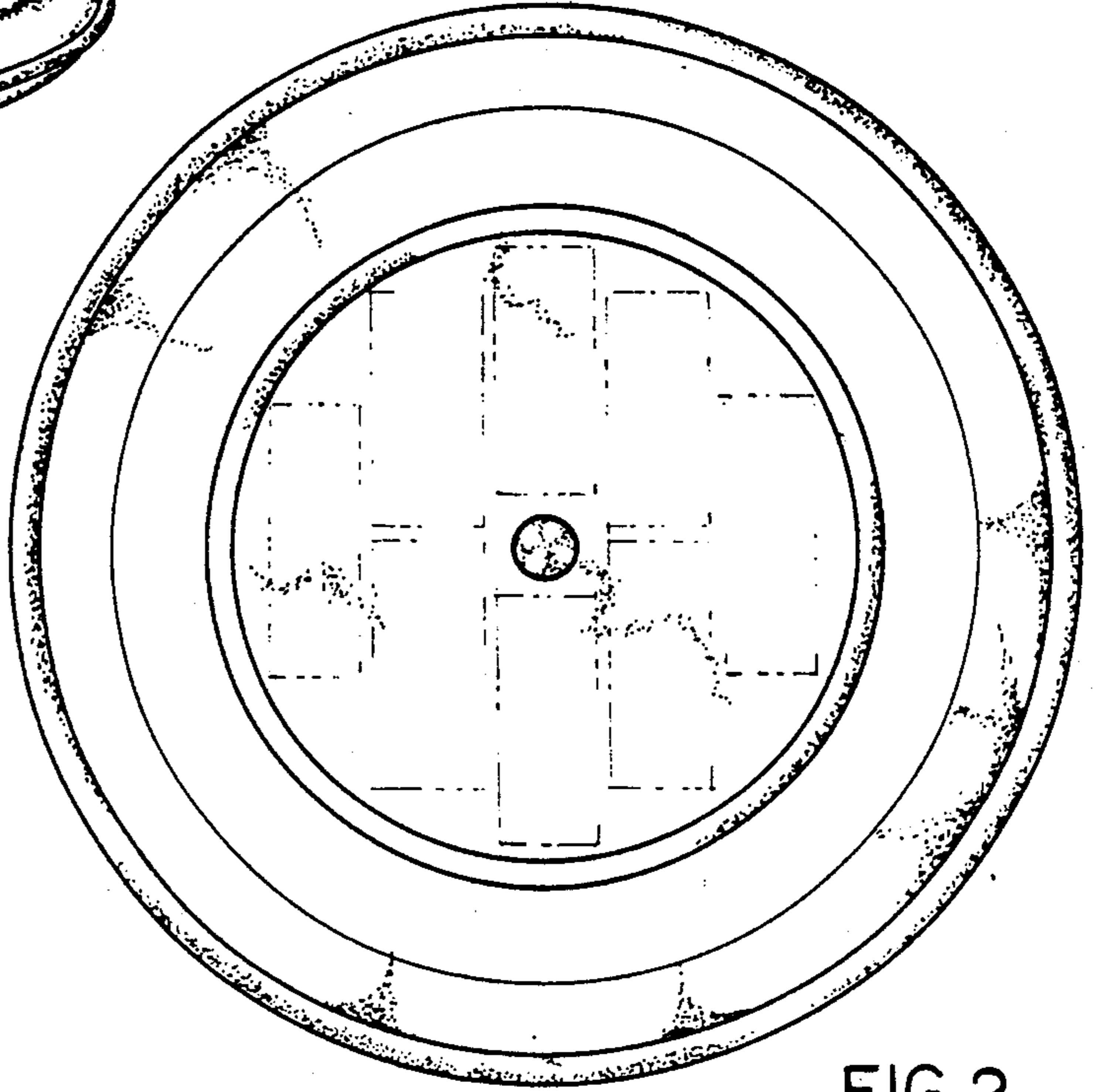


FIG. 2.

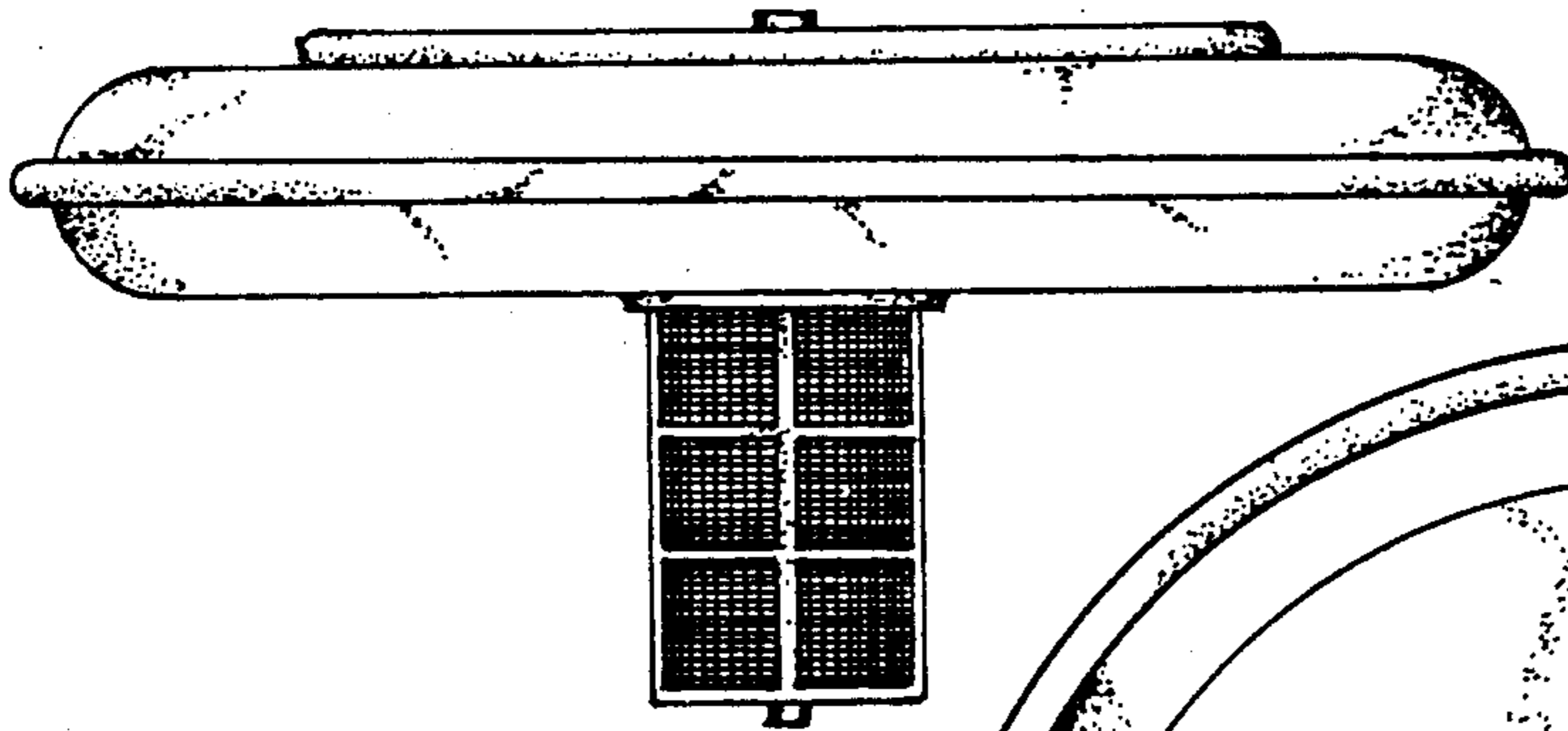


FIG. 3.

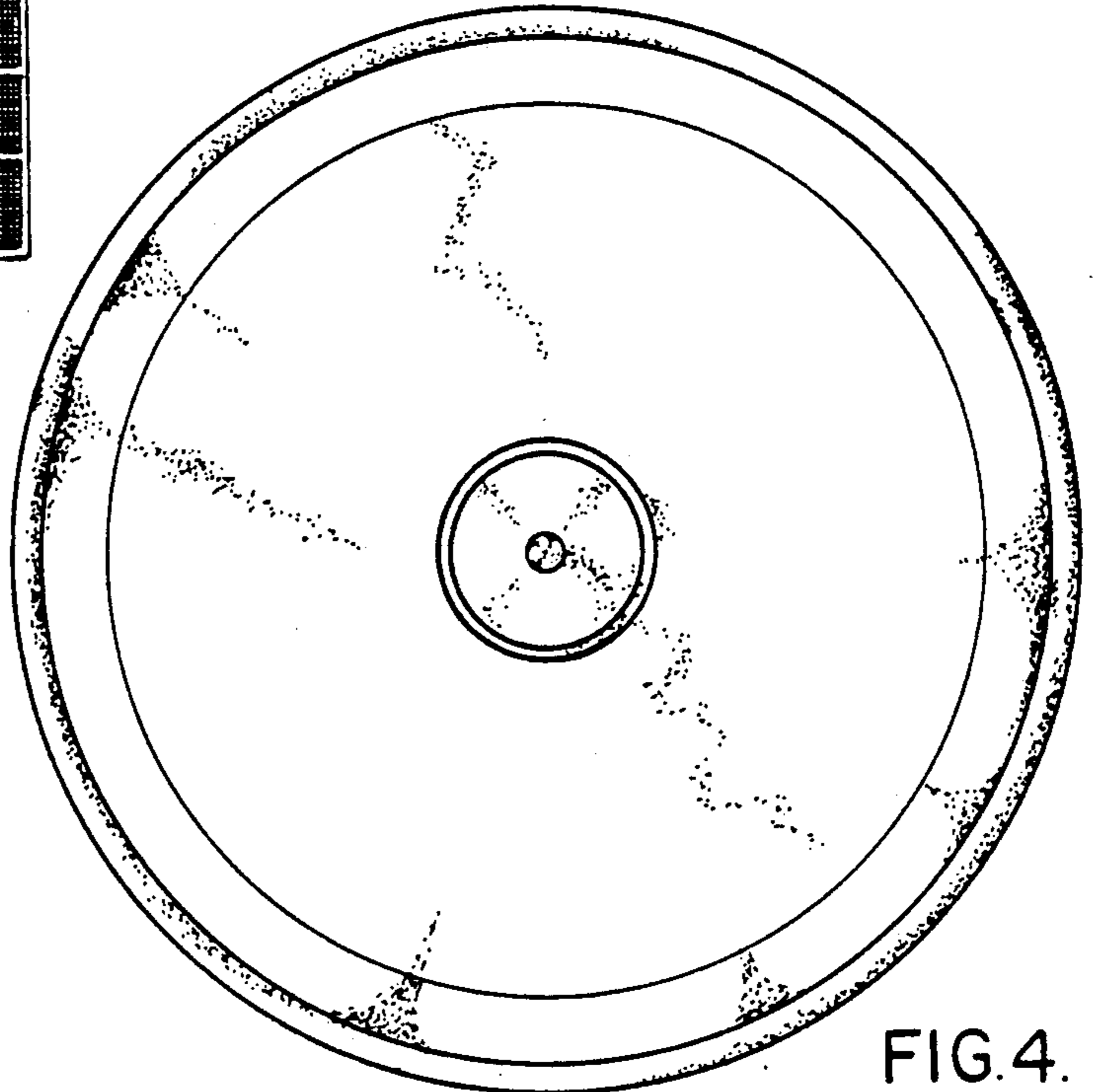


FIG. 4.