

[54] GOLF CLUB HEAD

[76] Inventor: Anthony J. Antonious, 205 E. Joppa Rd., Towson, Md. 21204

[*] Notice: The portion of the term of this patent subsequent to Jul. 2, 2005 has been disclaimed.

[**] Term: 14 Years

[21] Appl. No.: 111,161

[22] Filed: Oct. 22, 1987

[52] U.S. Cl. D21/219

[58] Field of Search D21/214-220; 273/163 R, 164, 167-175

[56] References Cited
PUBLICATIONS

Ping by Karsten, brochure, p. 2, "Rite In" Putter and Cushin-4 Putter.

Golf World, Jun. 27, 1986, p. 18, Dead Center Putters, upper right Putter.

Primary Examiner—Melvin B. Feifer
Attorney, Agent, or Firm—N. J. Aquilino

[57] CLAIM

The ornamental design for a golf club head, as shown and described.

DESCRIPTION

FIG. 1 is a rear elevational view showing my new design for a golf club head;
FIG. 2 is a top plan view thereof;
FIG. 3 is a front elevational view thereof;
FIG. 4 is a bottom view thereof;
FIG. 5 is an end elevational view thereof;
FIG. 6 is an end elevational view taken from the opposite side of FIG. 5;
FIG. 7 is a sectional view taken through the lines 7—7 of FIG. 1.

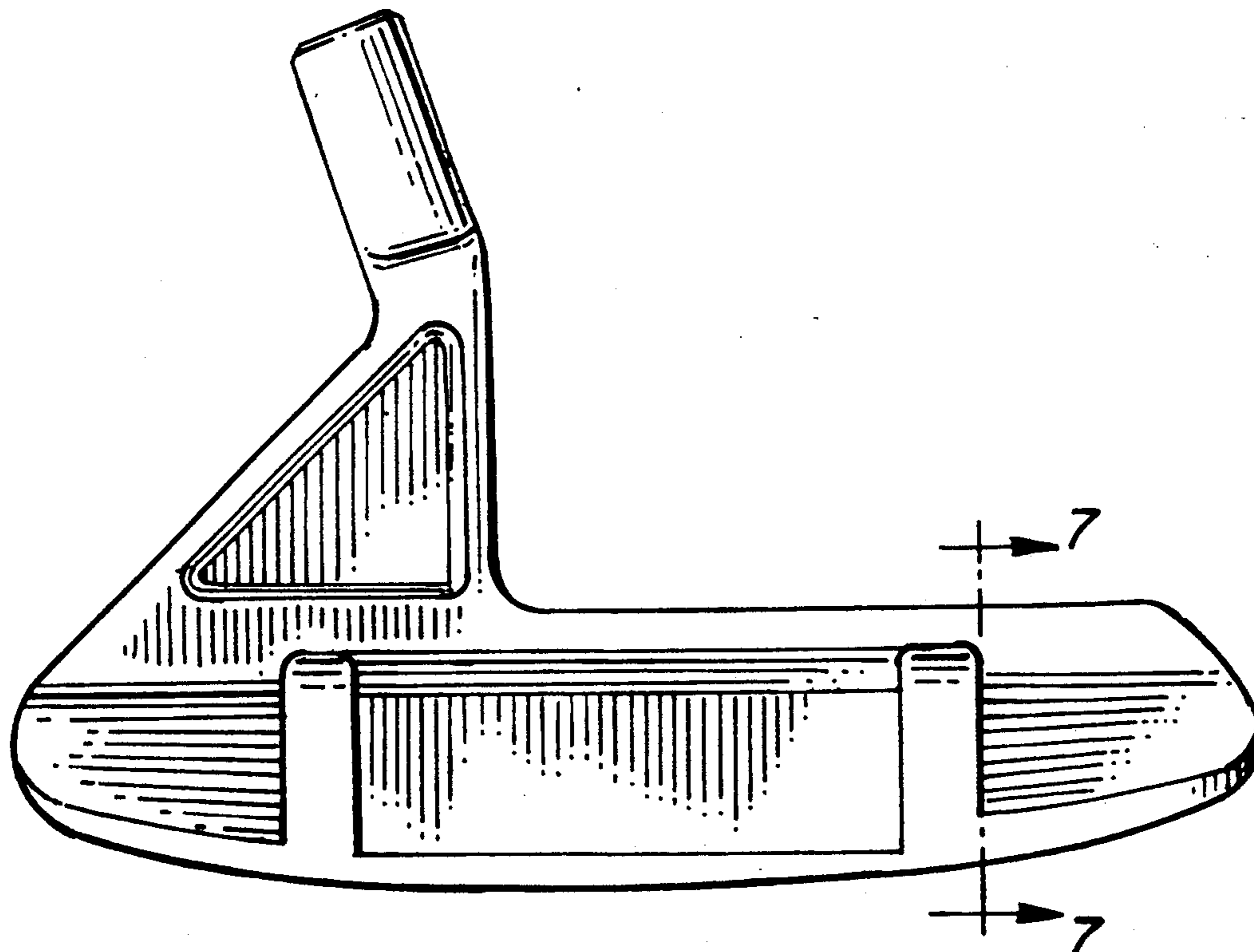


FIG. 1

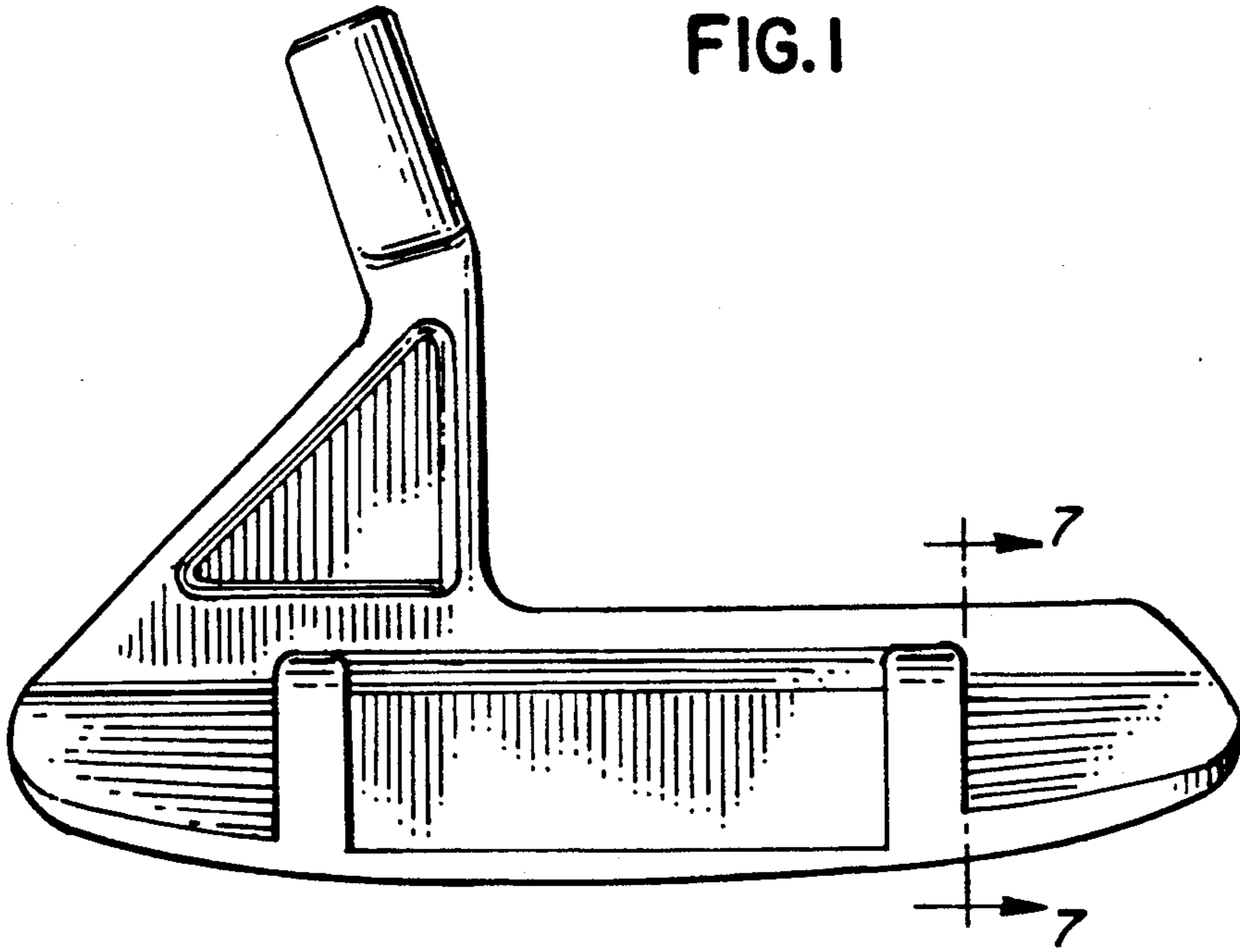


FIG. 2

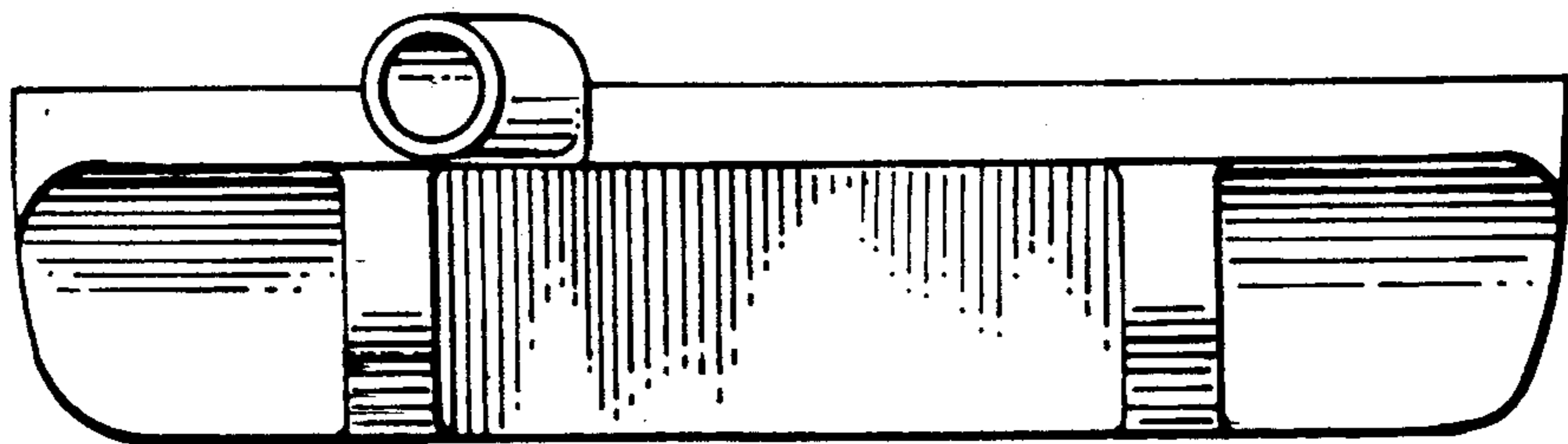


FIG. 3

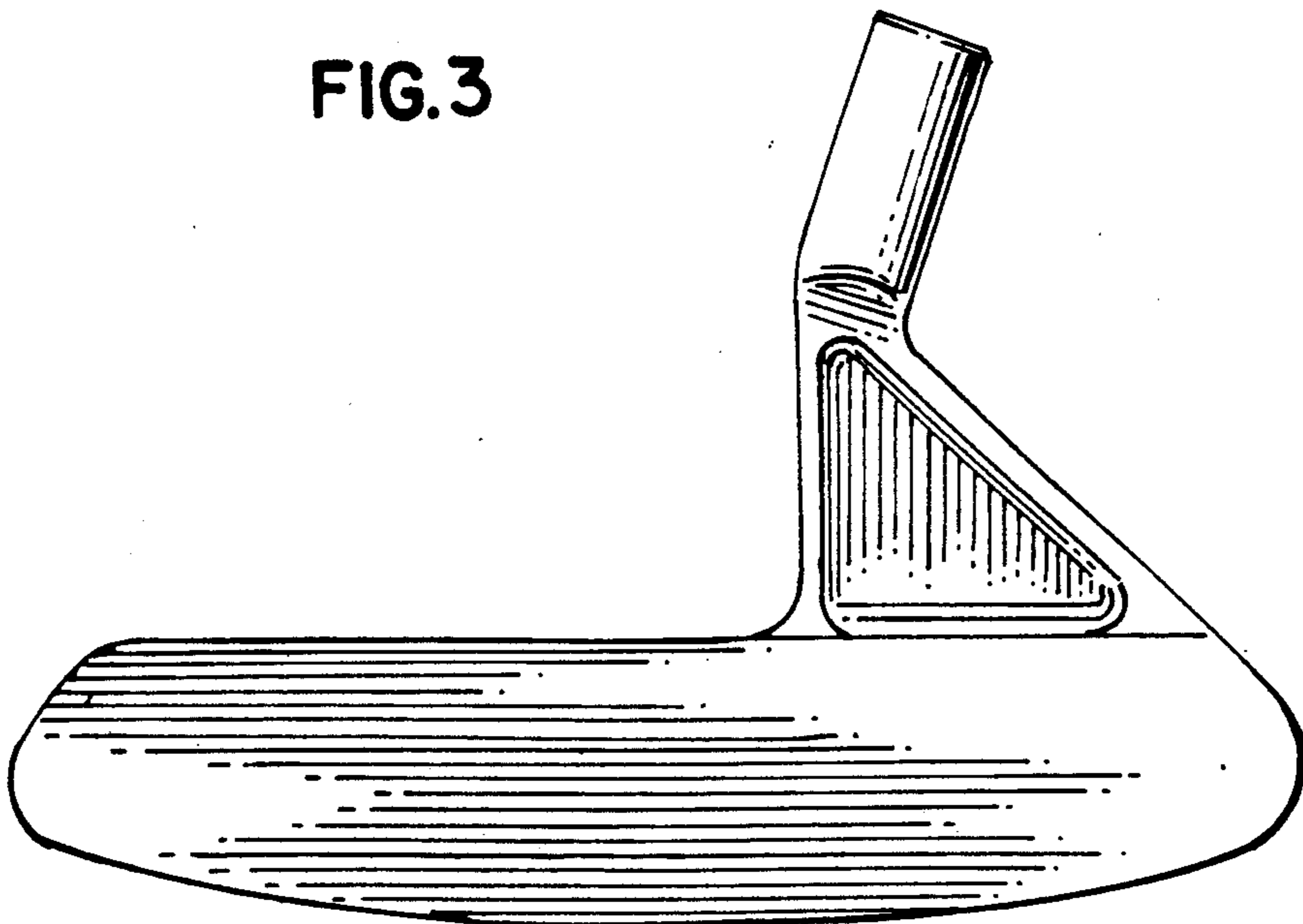


FIG. 4

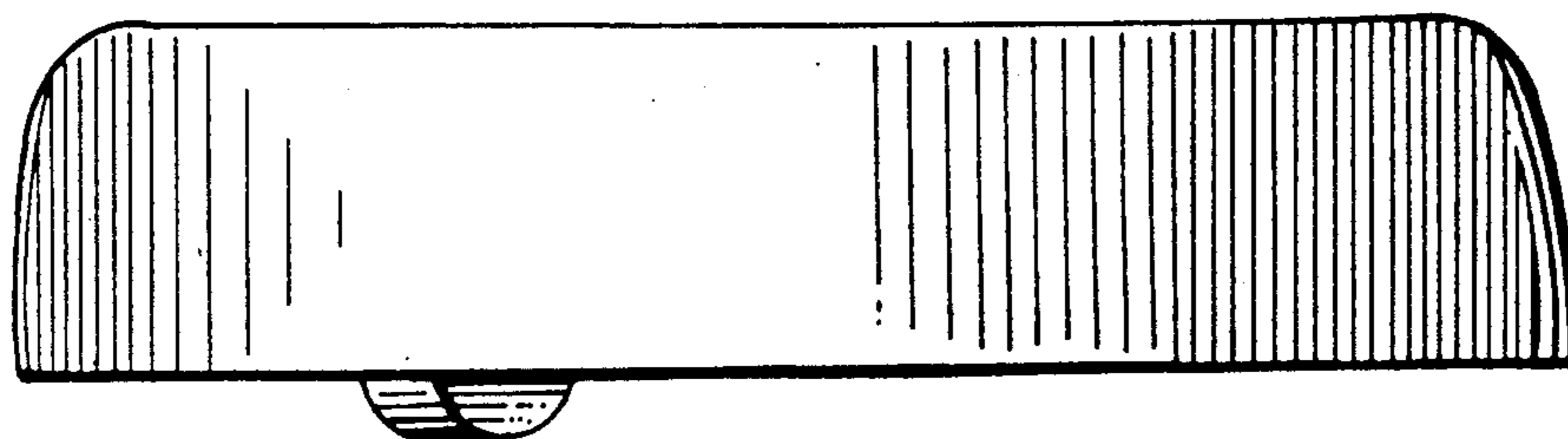


FIG. 5

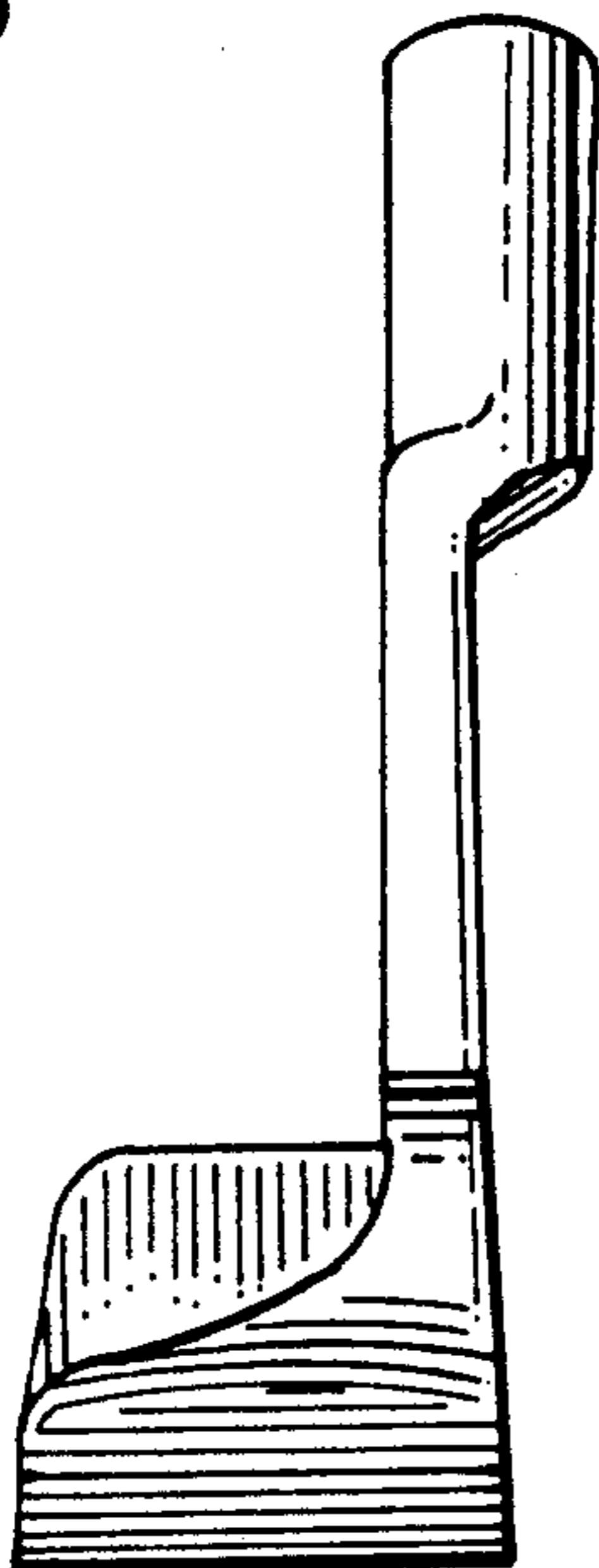


FIG. 6

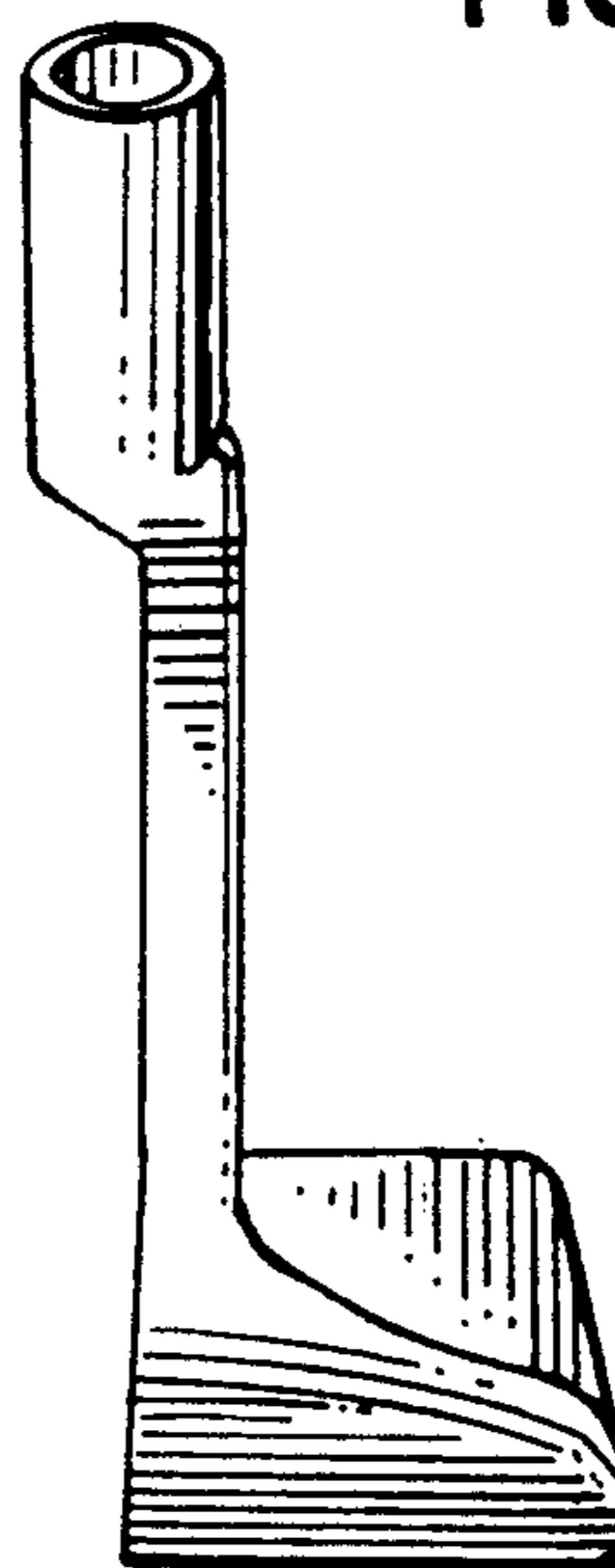


FIG. 7

