

[54] GOLF CLUB HEAD

[76] Inventor: Anthony J. Antonious, 205 E. Joppa Rd., Towson, Md. 21204

[*] Notice: The portion of the term of this patent subsequent to Jul. 2, 2005 has been disclaimed.

[**] Term: 14 Years

[21] Appl. No.: 75,886

[22] Filed: Jul. 21, 1987

[52] U.S. Cl. D21/219; D21/217

[58] Field of Search D21/214-220; 273/163 R, 164, 167-175

[56] References Cited

U.S. PATENT DOCUMENTS

- D. 228,930 10/1973 Leigh D21/219
- D. 282,555 2/1986 Shearer D21/217

OTHER PUBLICATIONS

Ping Woods & Irons, brochure, p. 4, bottom, Cushin-4, Putter.

Golf World, 6/27/86, p. 18, Dead Center Putters, upper right Putter.

Primary Examiner—Melvin B. Feifer
Attorney, Agent, or Firm—N. J. Aquilino

[57] CLAIM

The ornamental design for a golf club head, as shown and described.

DESCRIPTION

FIG. 1 is a front elevational view showing my new design for a golf club head;
 FIG. 2 is an end elevational view thereof;
 FIG. 3 is a rear elevational view thereof;
 FIG. 4 is an end elevational view taken from the opposite side of FIG. 2;
 FIG. 5 is a top plan view thereof;
 FIG. 6 is a bottom plan view thereof;
 FIG. 7 is a sectional view taken through the lines 7—7 of FIG. 3.

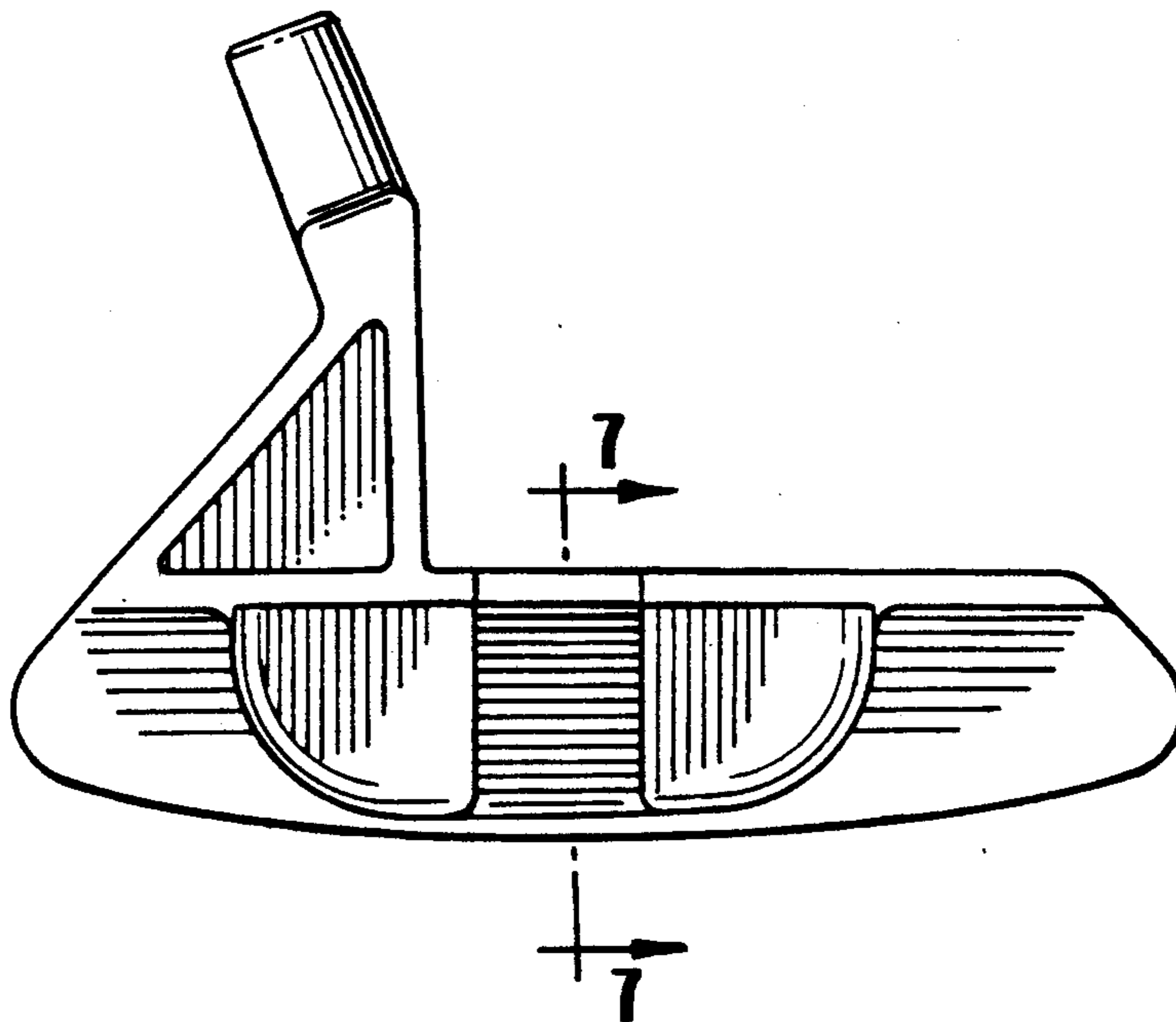


FIG. 1

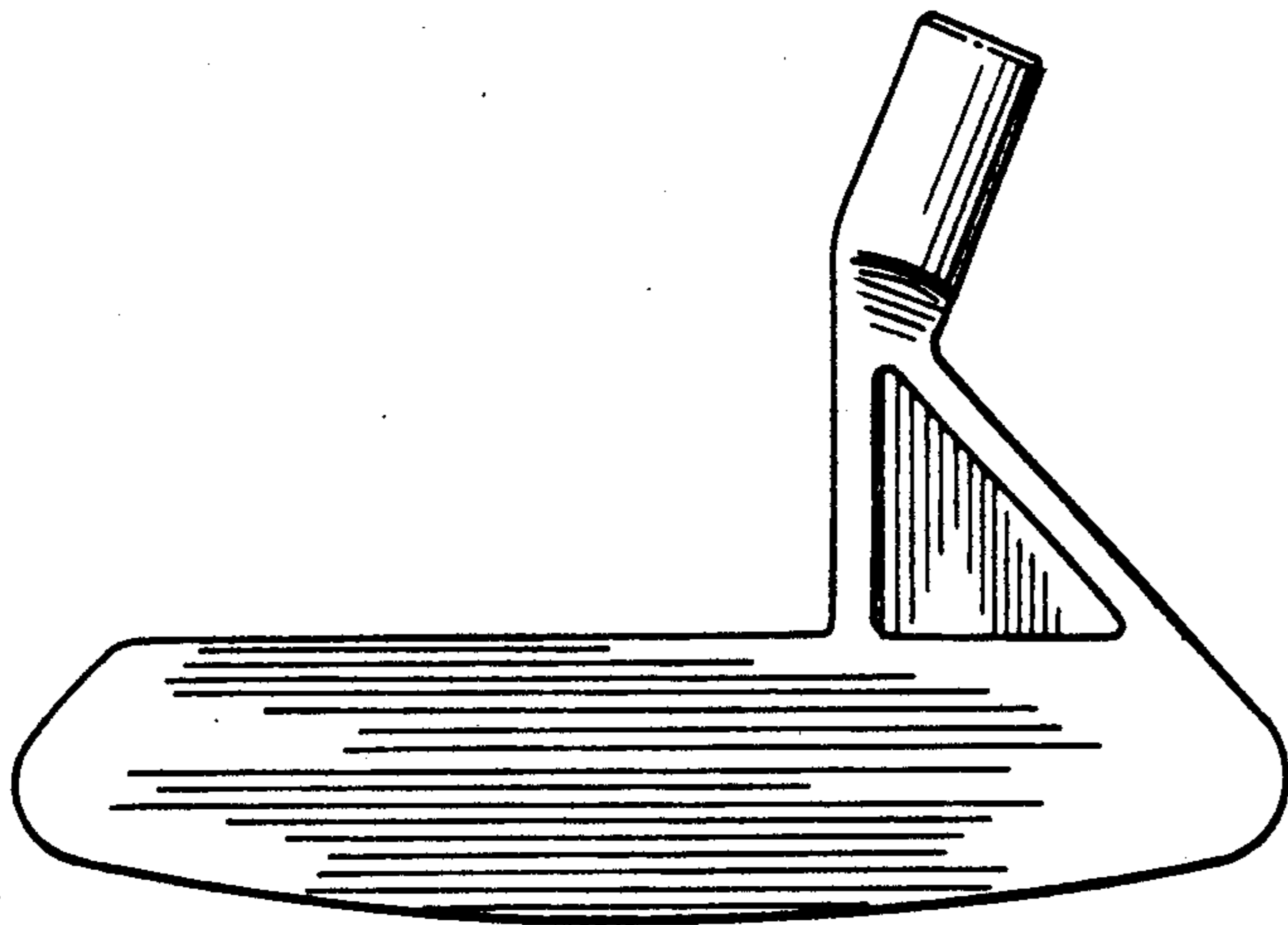


FIG. 2

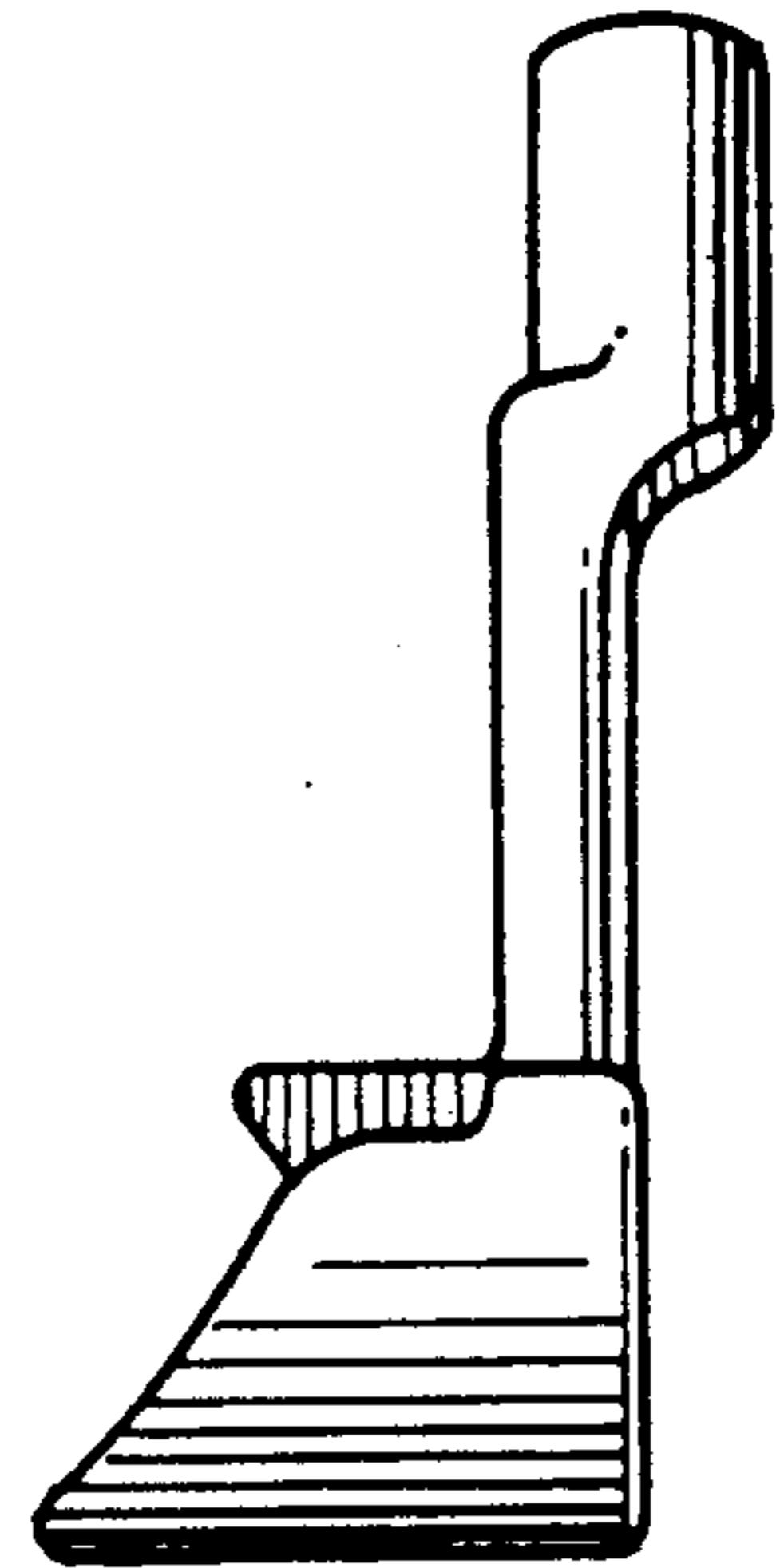


FIG. 3

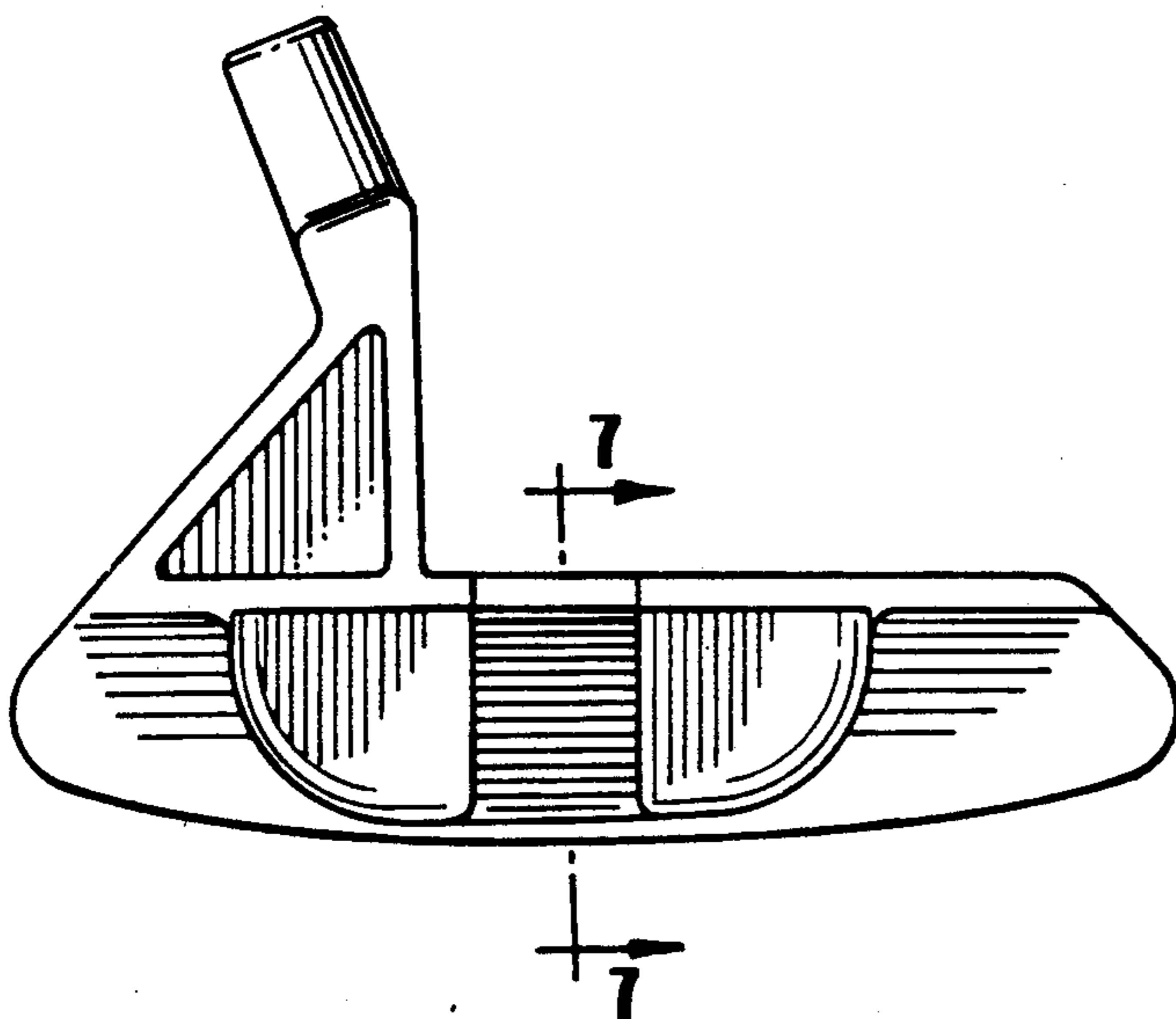


FIG. 4

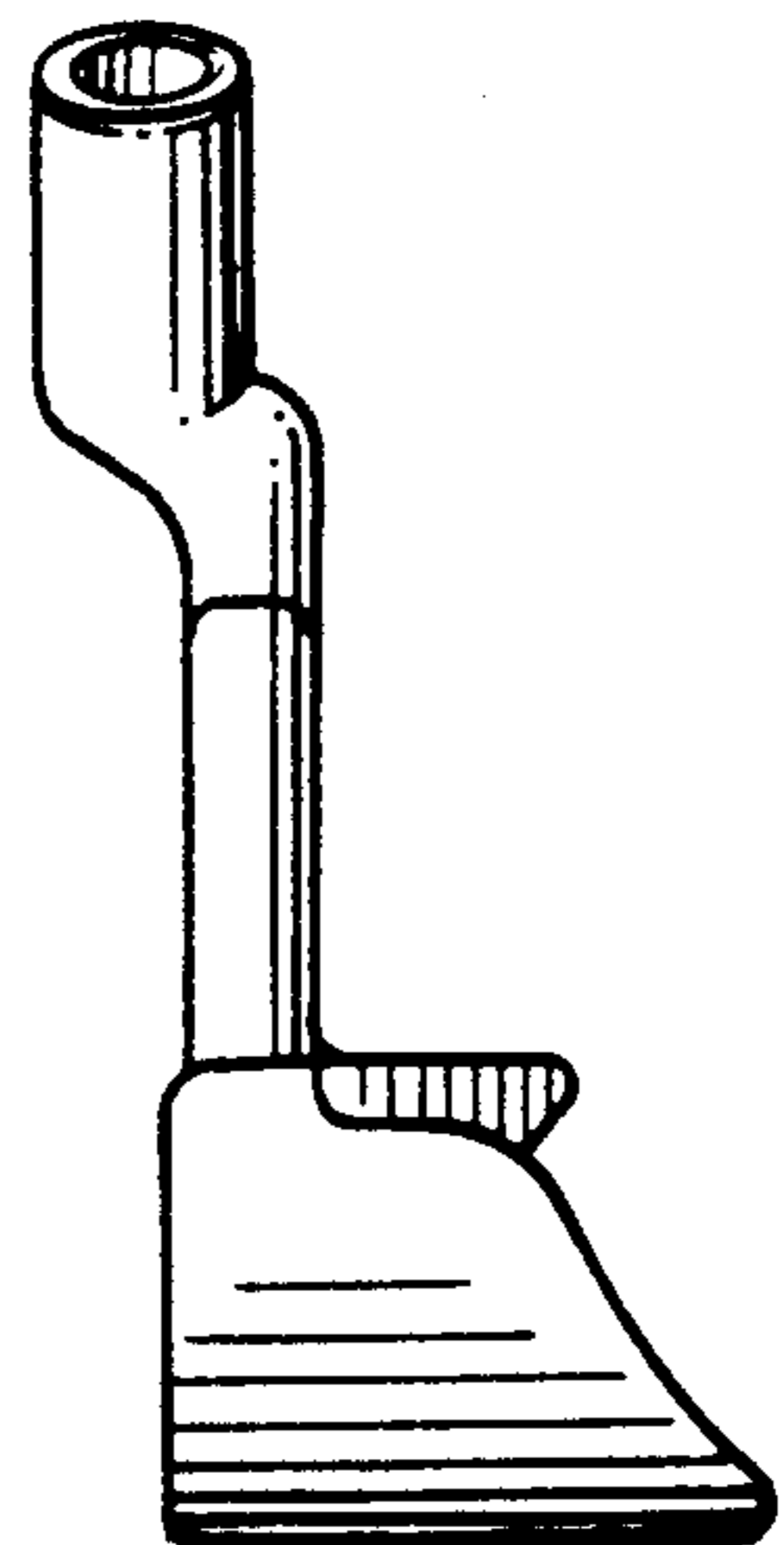


FIG. 5

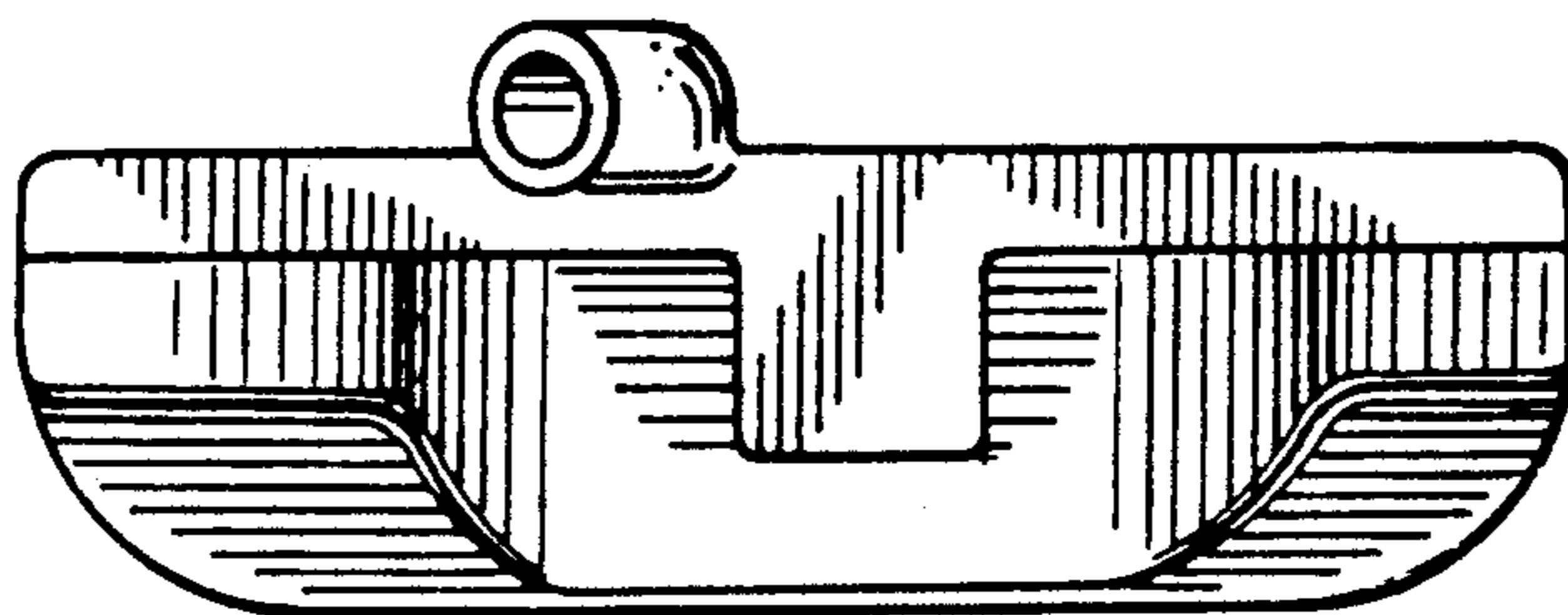


FIG. 6

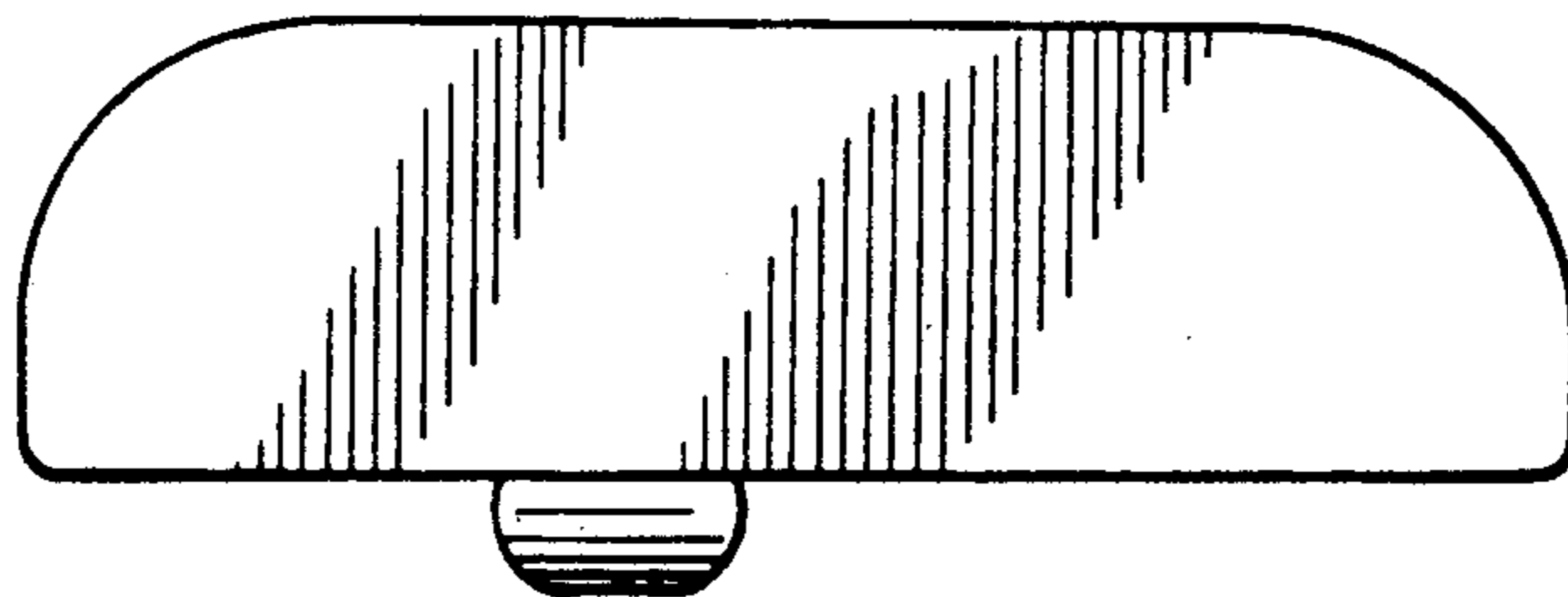


FIG. 7

