

[54] EXERCISE CYCLE

[75] Inventors: Curt G. Bingham; William T. Dalebout, both of Logan, Utah

[73] Assignee: Proform Fitness Products, Inc., Logan, Utah

[**] Term: 14 Years

[21] Appl. No.: 290,082

[22] Filed: Dec. 27, 1988

[52] U.S. Cl. D21/194

[58] Field of Search D21/191-199; 273/73, 70.3

[56] References Cited

U.S. PATENT DOCUMENTS

D. 193,437 8/1962 Maratta D21/194

D. 218,107 7/1970 Feather et al. D21/194
D. 299,669 1/1989 Harter D21/194
D. 300,046 2/1989 Armstrong et al. D21/194

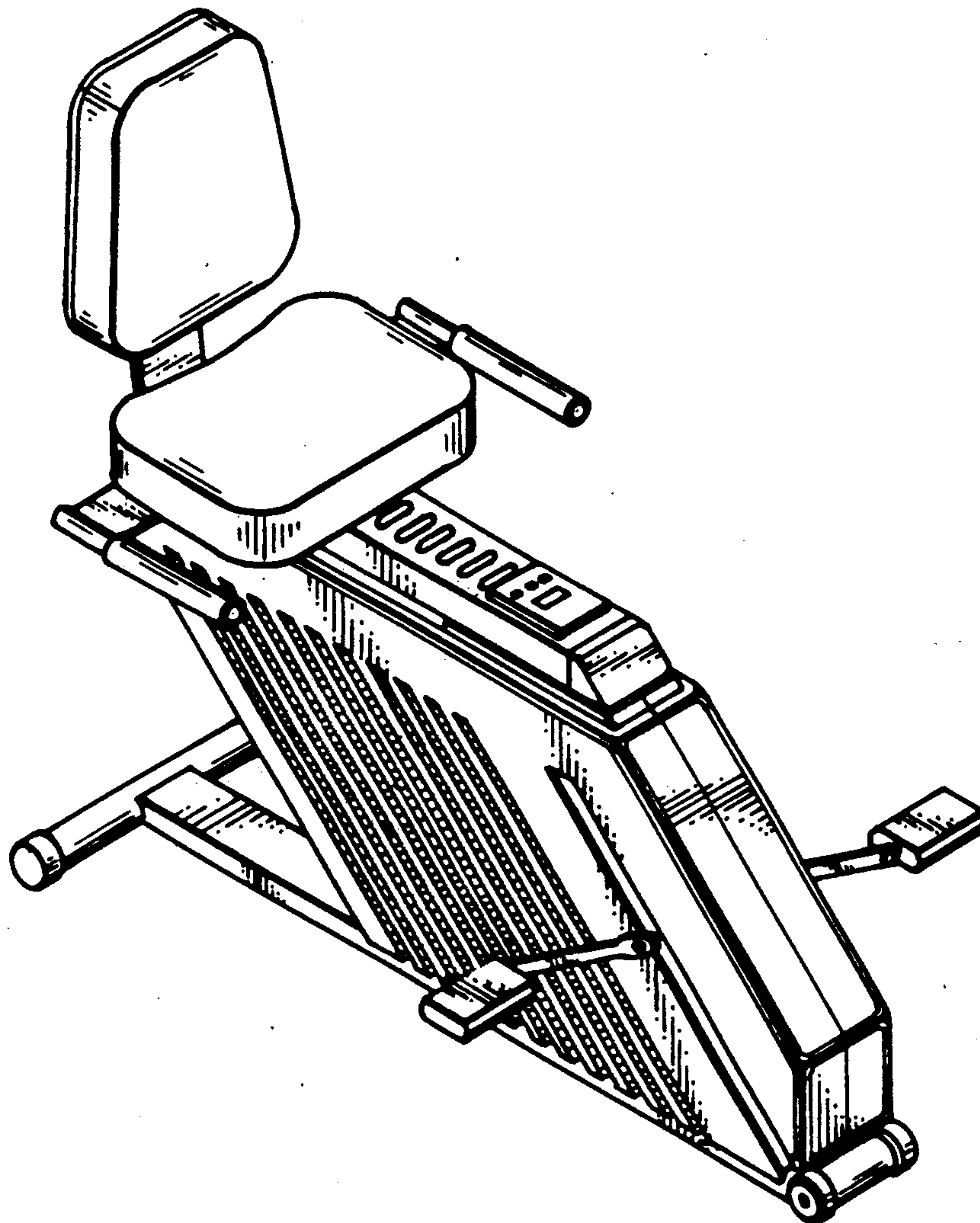
Primary Examiner—Charles A. Rademaker
Attorney, Agent, or Firm—Trask, Britt & Rossa

[57] CLAIM

The ornamental design for an exercise cycle, as shown and described.

DESCRIPTION

FIG. 1 is an perspective view of an exercise cycle showing our new design;
FIG. 2 is a right side elevational view thereof;
FIG. 3 is a left side elevational view thereof;
FIG. 4 is a front elevational view thereof;
FIG. 5 is a rear elevational view thereof;
FIG. 6 is a top plan view thereof; and,
FIG. 7 is a bottom plan view thereof.



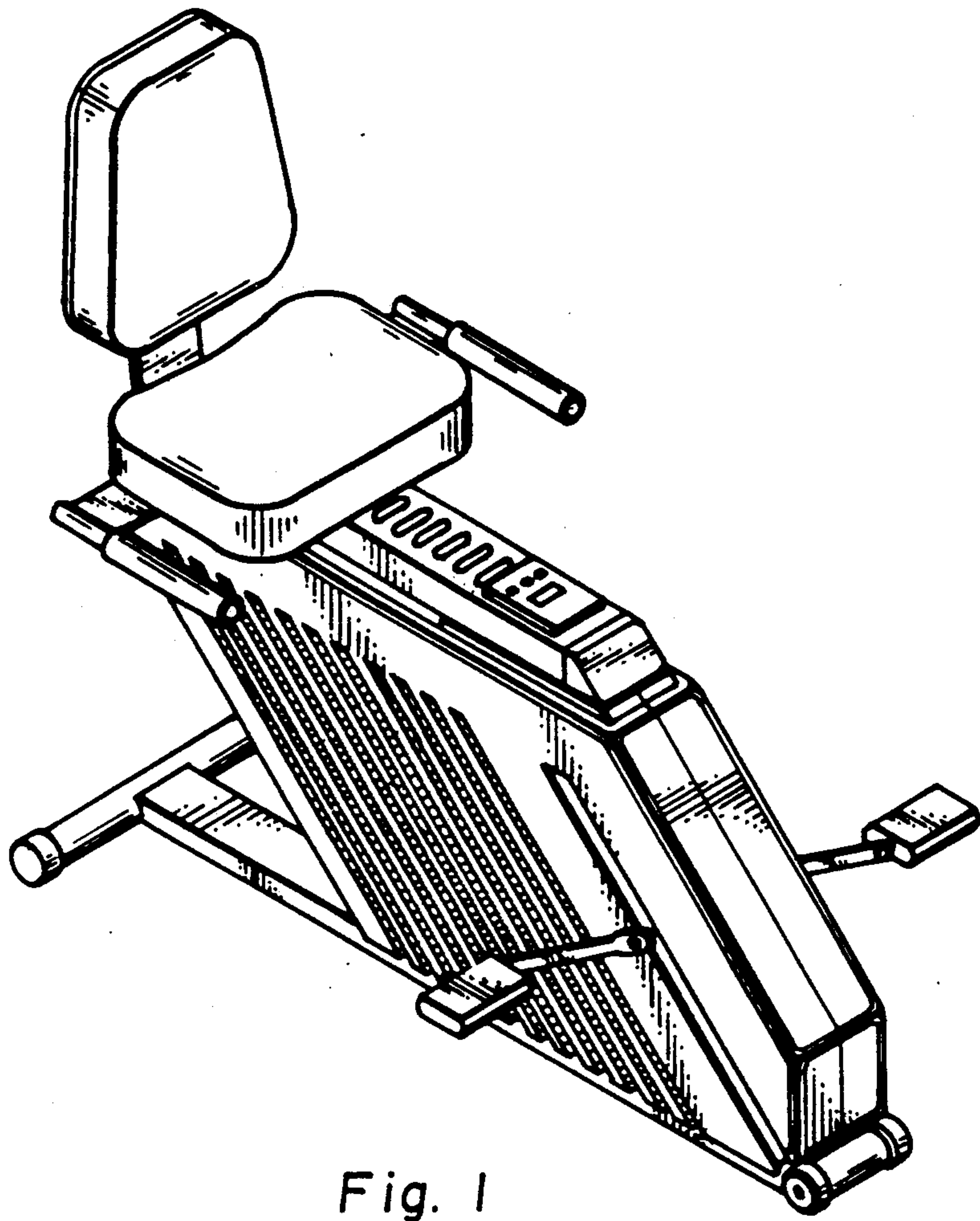


Fig. 1

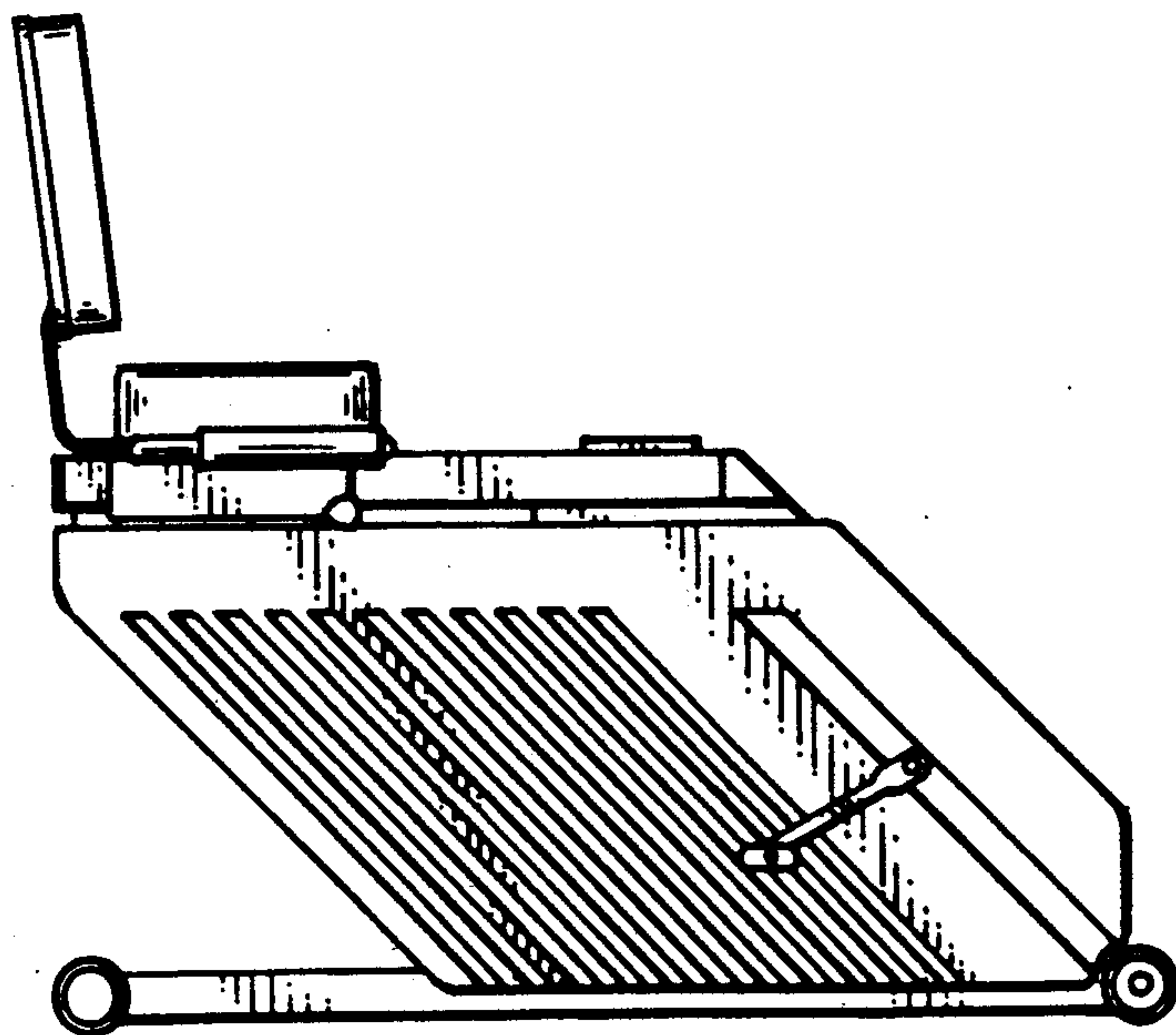


Fig. 2

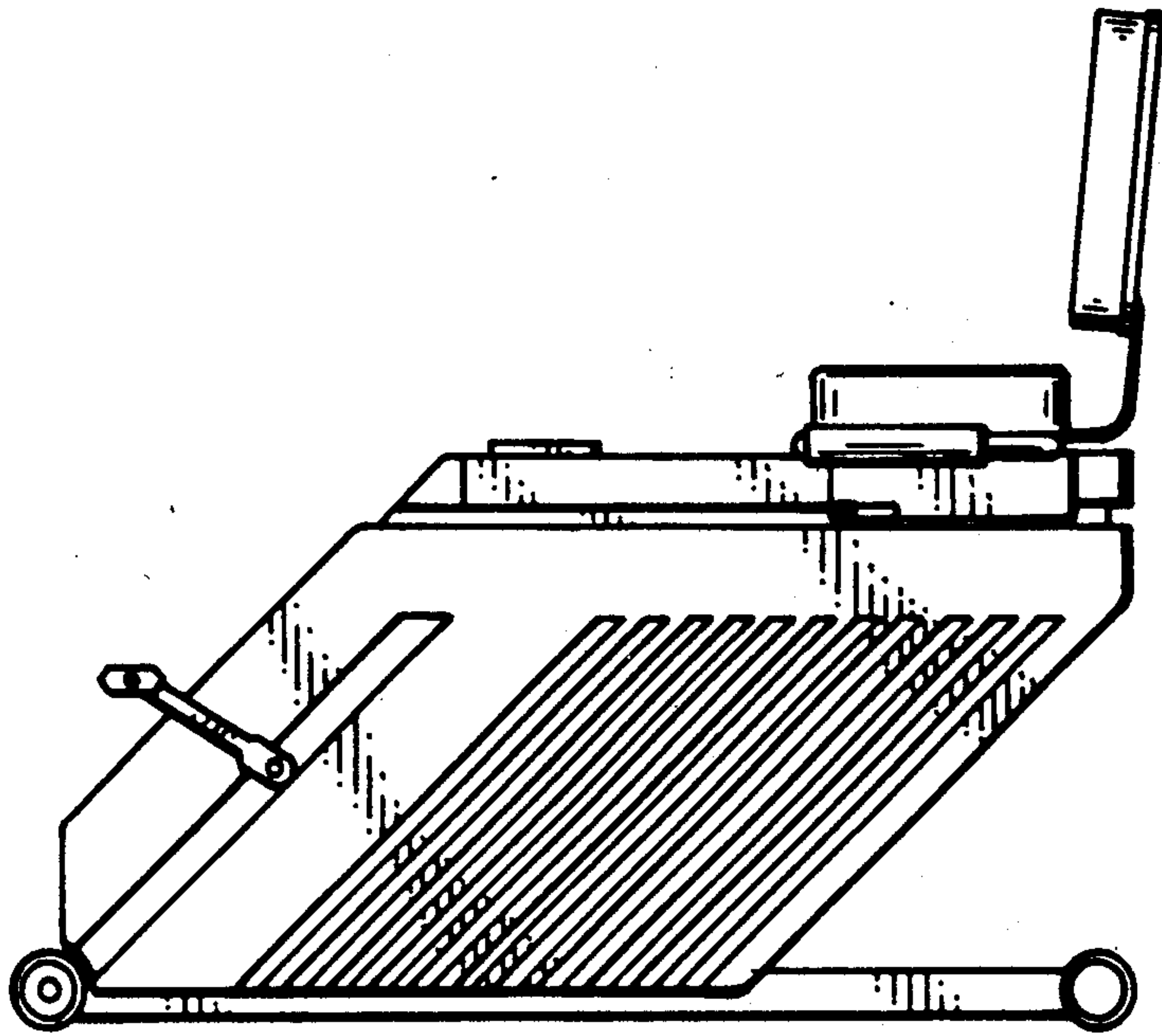


Fig. 3

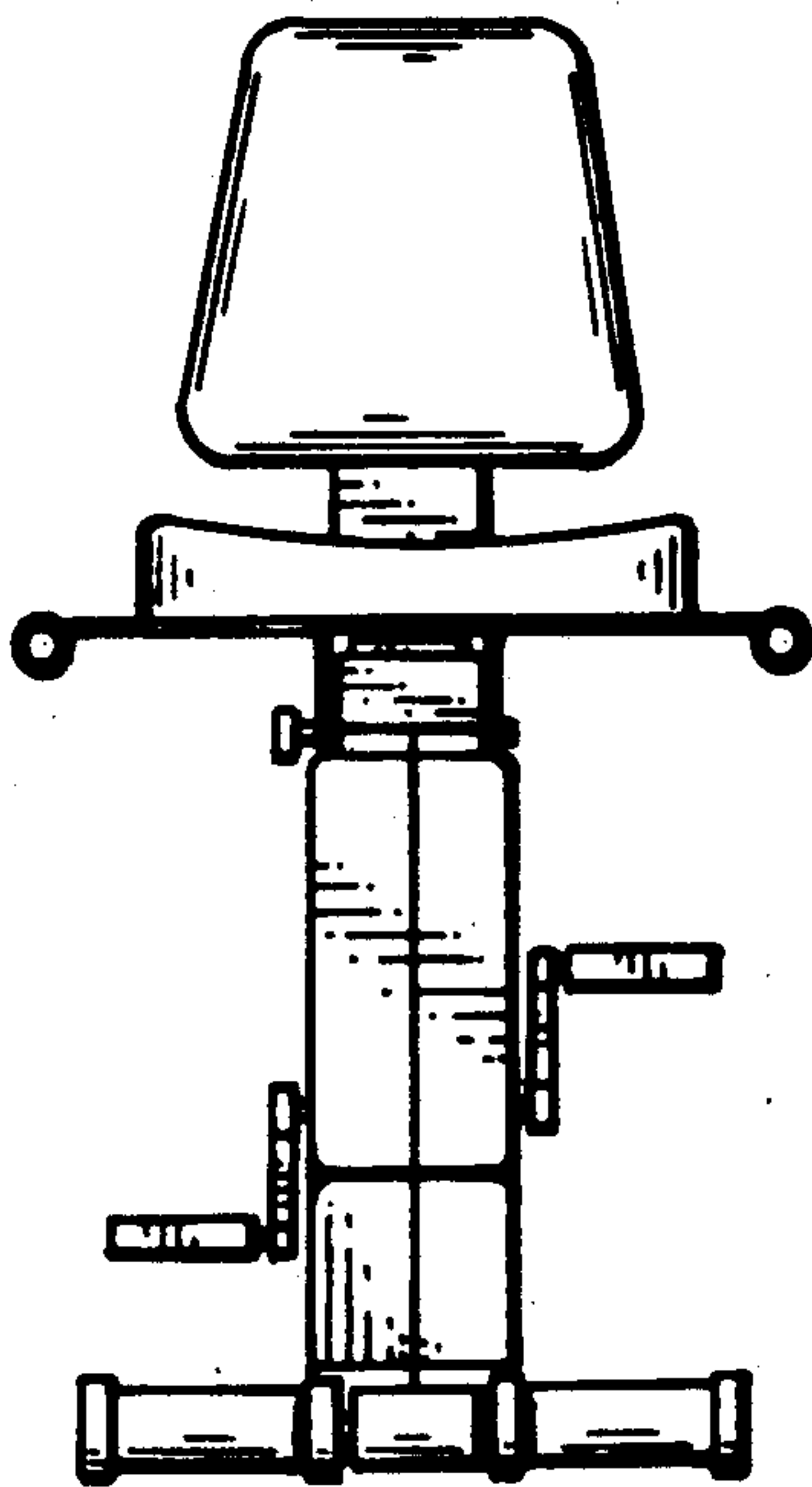


Fig. 4

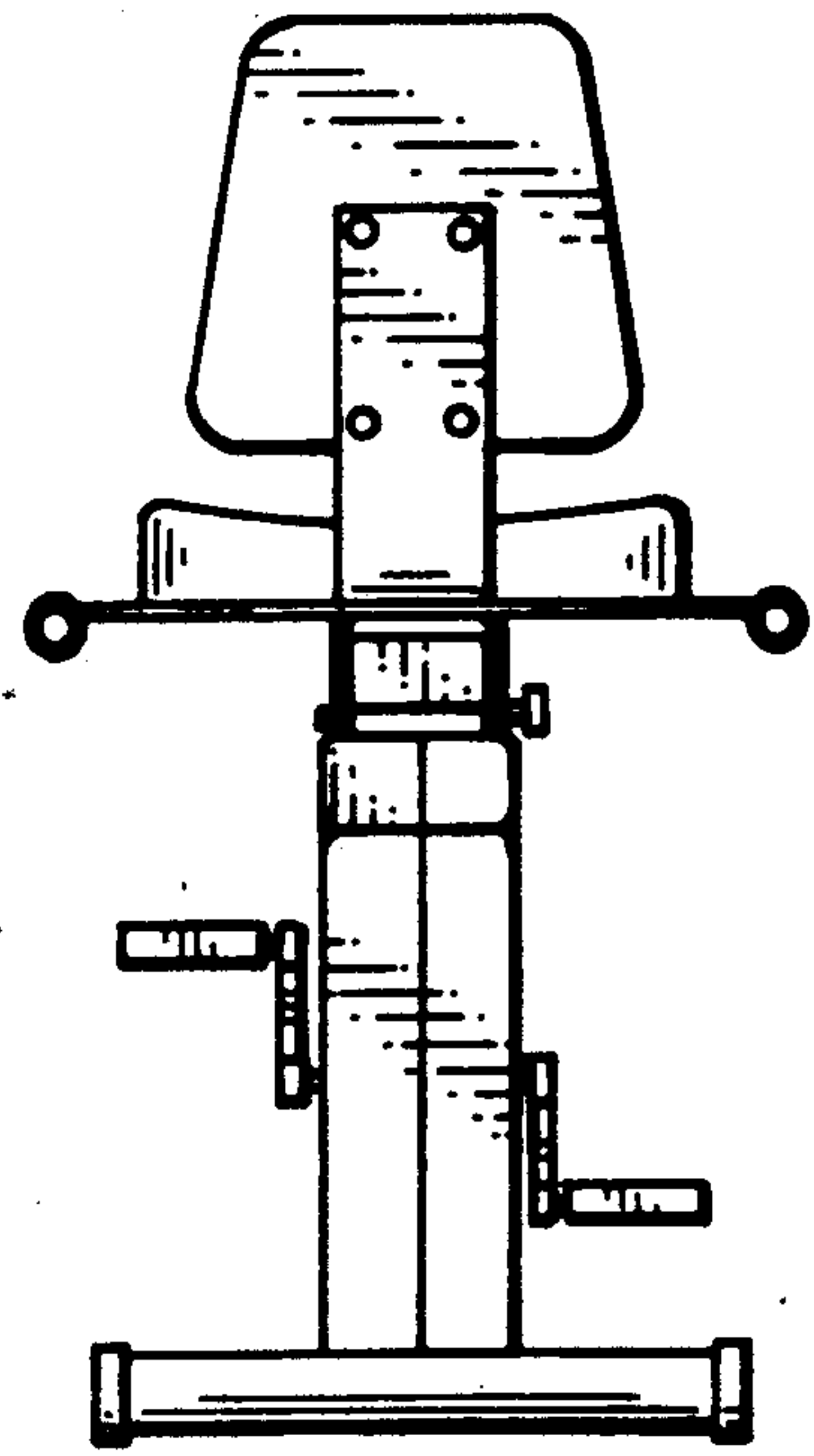


Fig. 5

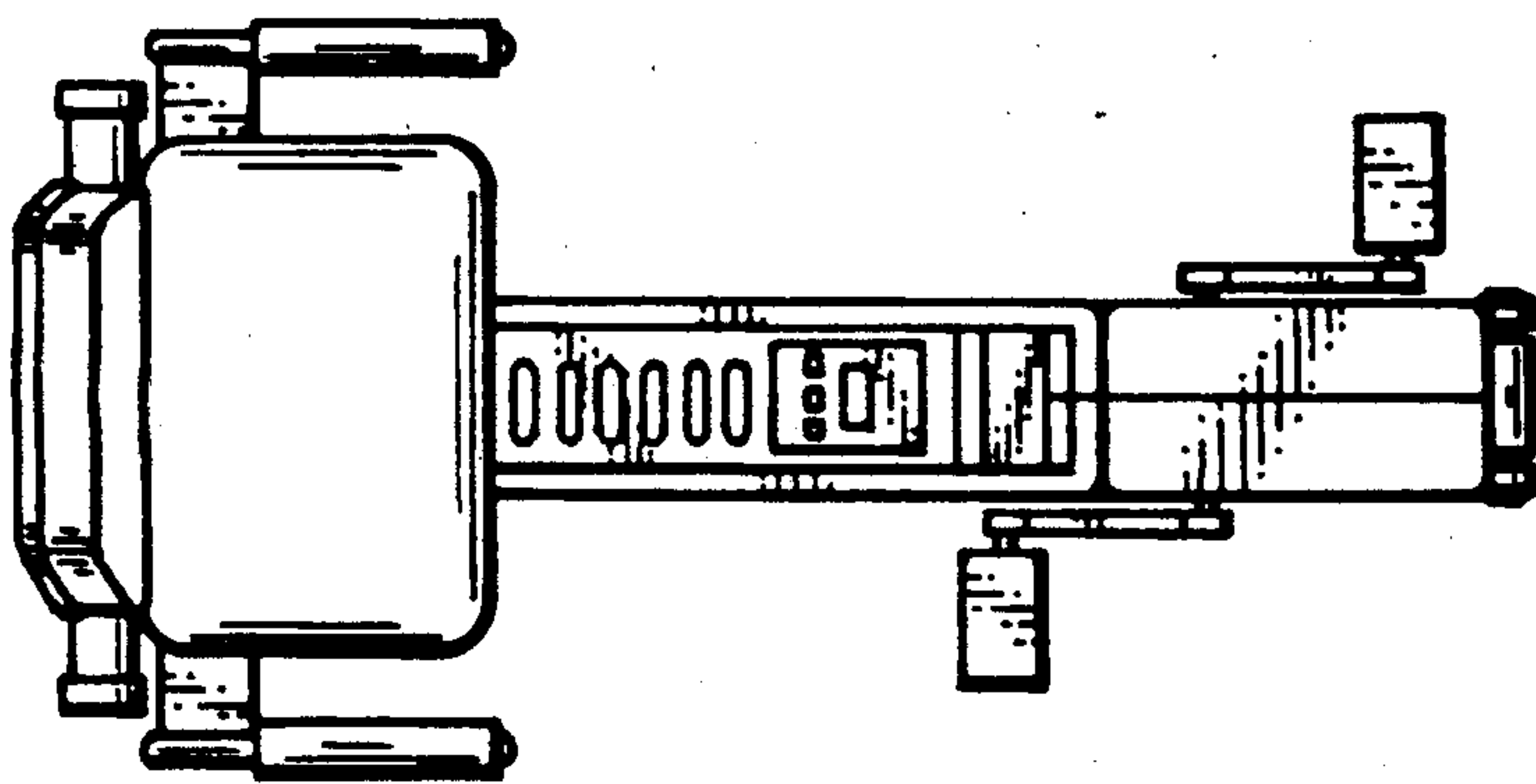


Fig. 6

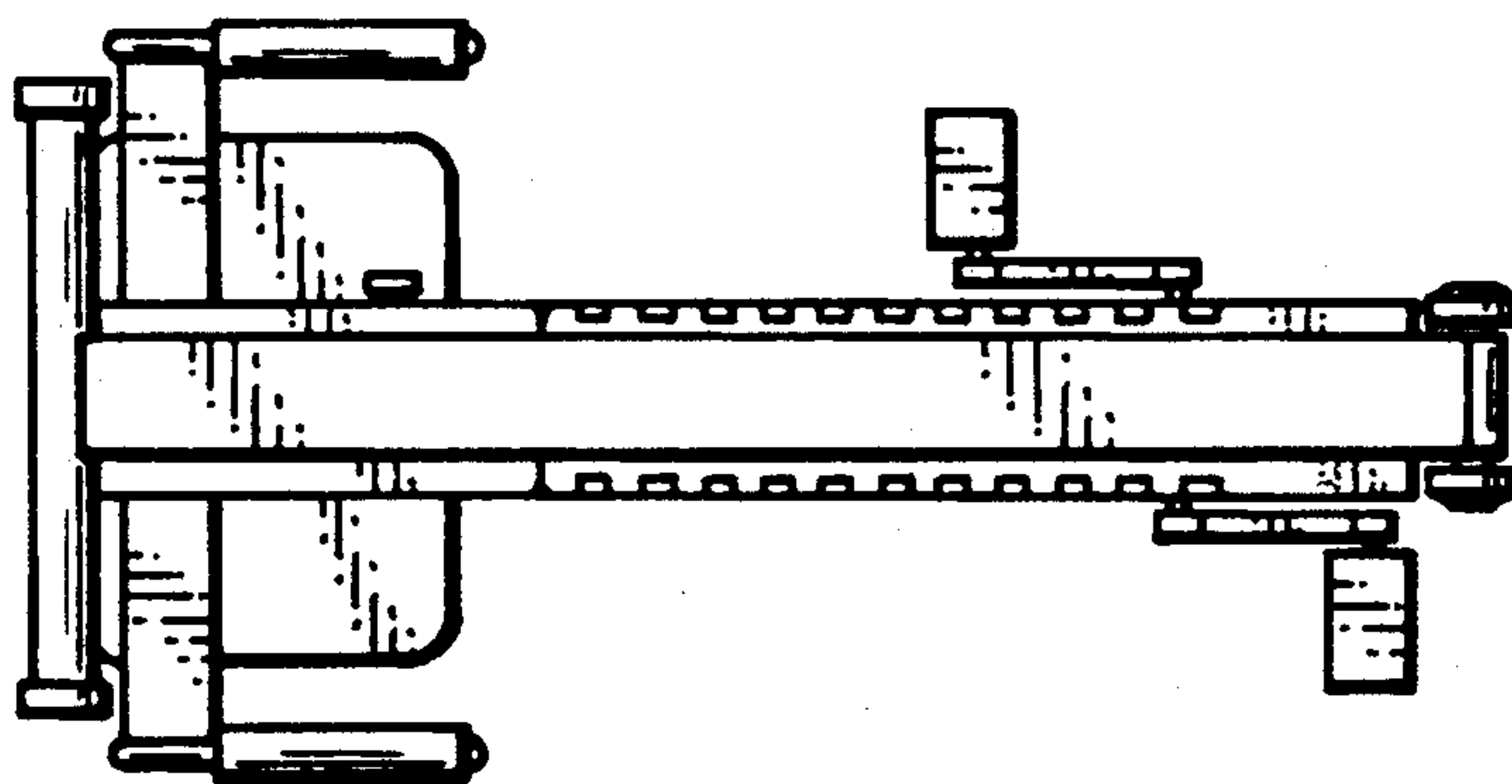


Fig. 7