

United States Patent [19]

Jacobson et al.

[11] Patent Number: **Des. 318,085**

[45] Date of Patent: **** Jul. 9, 1991**

[54] **TREADMILL HOUSING**

[75] Inventors: **David Jacobson, El Paso, Tex.;**
William T. Dalebout, Logan, Utah

[73] Assignee: **Proform Fitness Products, Inc.,**
Logan, Utah

[**] Term: **14 Years**

[21] Appl. No.: **350,840**

[22] Filed: **May 12, 1989**

Related U.S. Application Data

[62] Division of Ser. No. 305,985, Feb. 1, 1989.

[52] U.S. Cl. **D21/192**

[58] Field of Search **D21/191-199;**
272/69, DIG. 6; 119/29

[56] **References Cited**

U.S. PATENT DOCUMENTS

D. 270,555 9/1983 Ogden .

D. 303,414 9/1989 Armstrong et al. D21/192
D. 306,468 3/1990 Watterson D21/192

OTHER PUBLICATIONS

Precor U.S.A. Flier, pp. 1 & 2, Treadmill #935E.
Avita Flier ©1984 M & R Industries Inc., Avita 350
Treadmill.

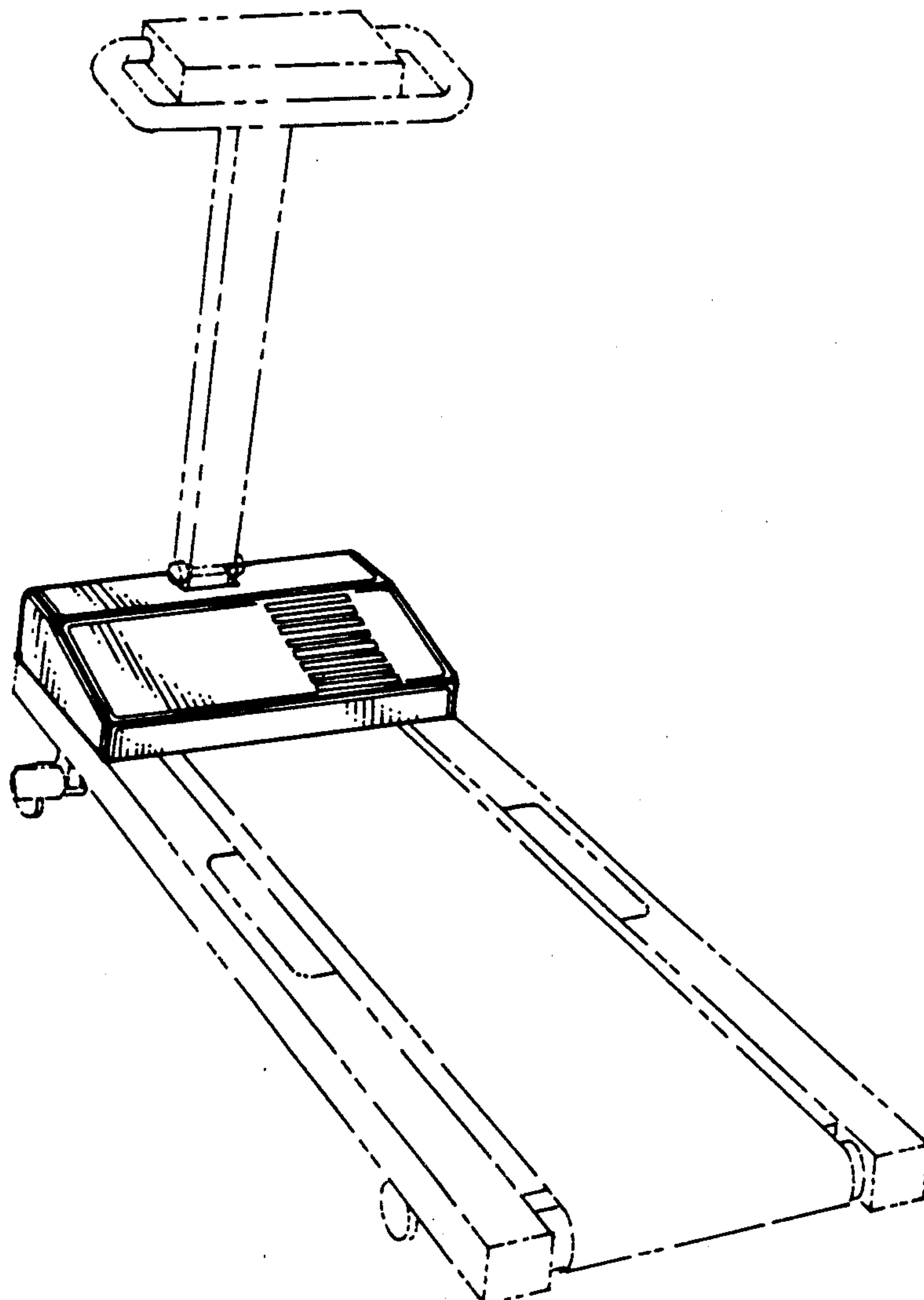
Primary Examiner—Charles A. Rademaker
Attorney, Agent, or Firm—Trask, Britt & Rossa

[57] **CLAIM**

The ornamental design for a treadmill housing, as shown and described.

DESCRIPTION

FIG. 1 is a perspective view of a treadmill housing showing our new design;
FIG. 2 is a left side elevational view thereof;
FIG. 3 is a right side elevational view thereof;
FIG. 4 is a top plan view thereof;
FIG. 5 is a rear elevational view thereof; and
FIG. 6 is a front elevational view thereof.



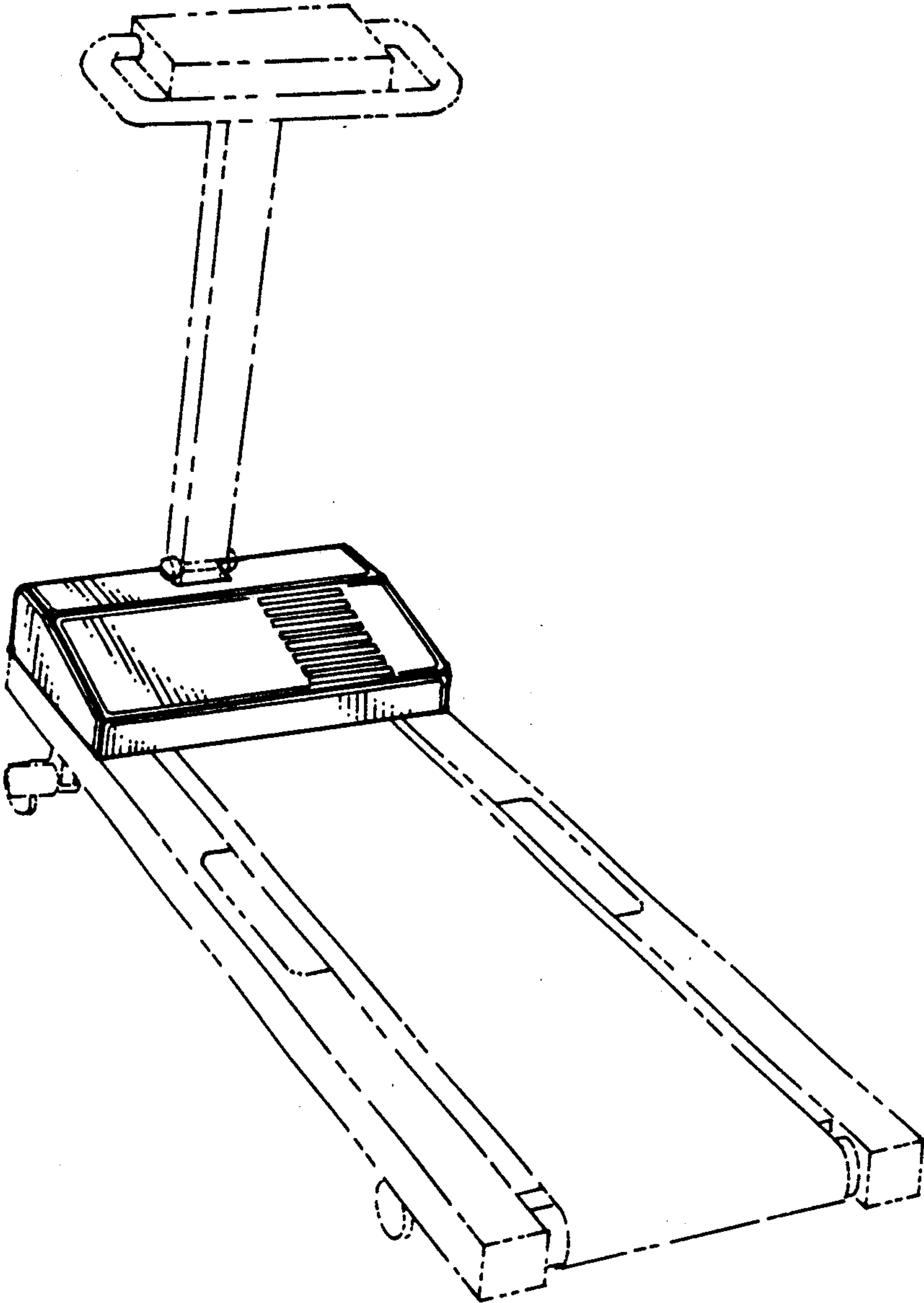


Fig. 1

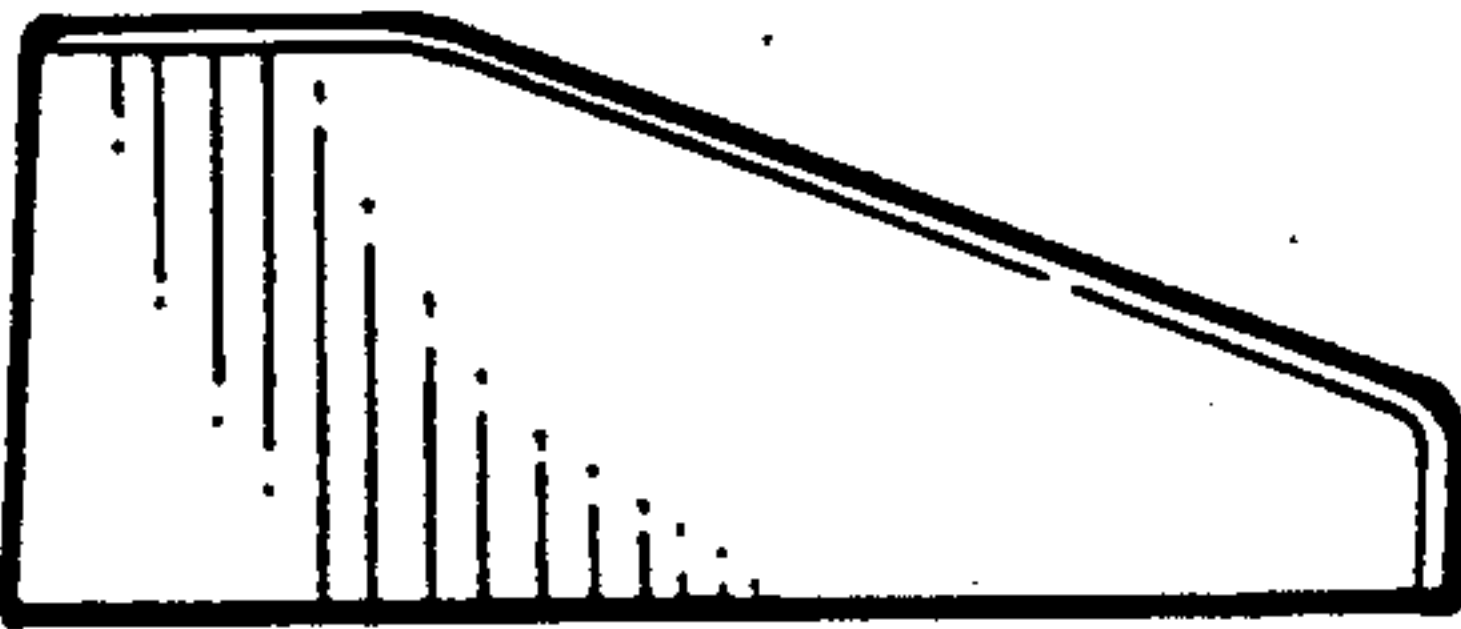


Fig. 2

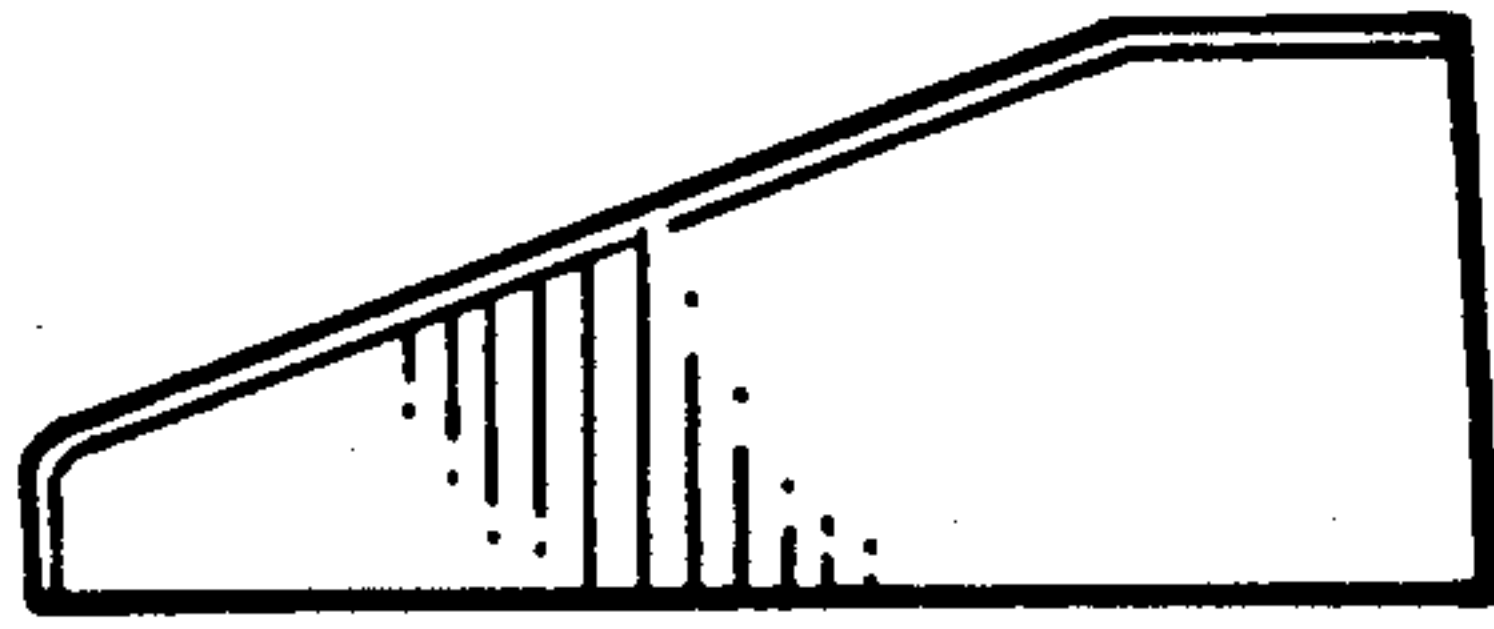


Fig. 3

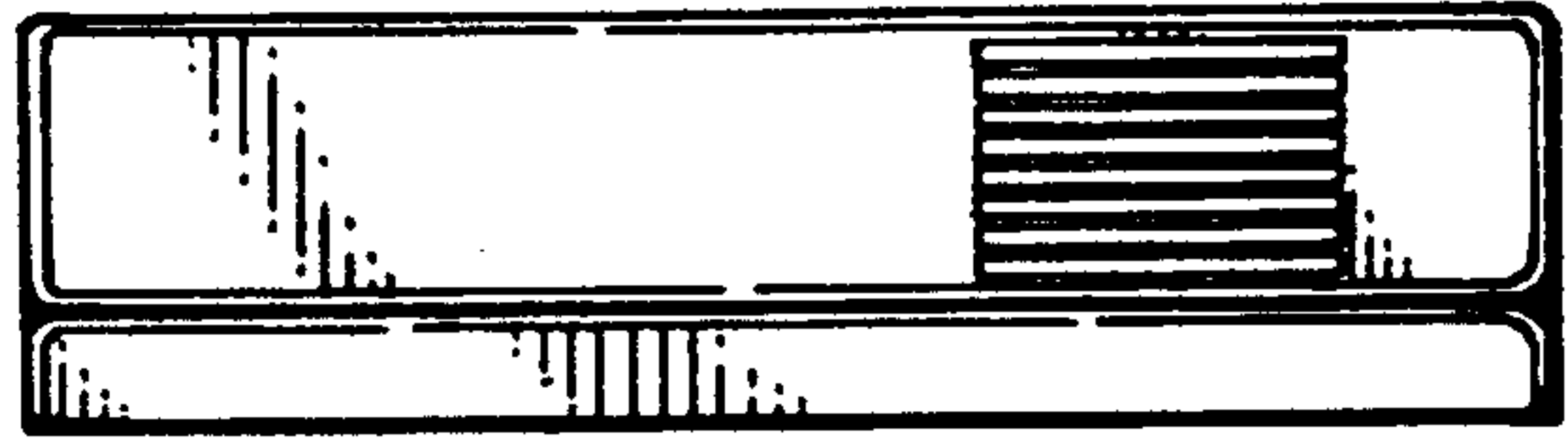


Fig. 5

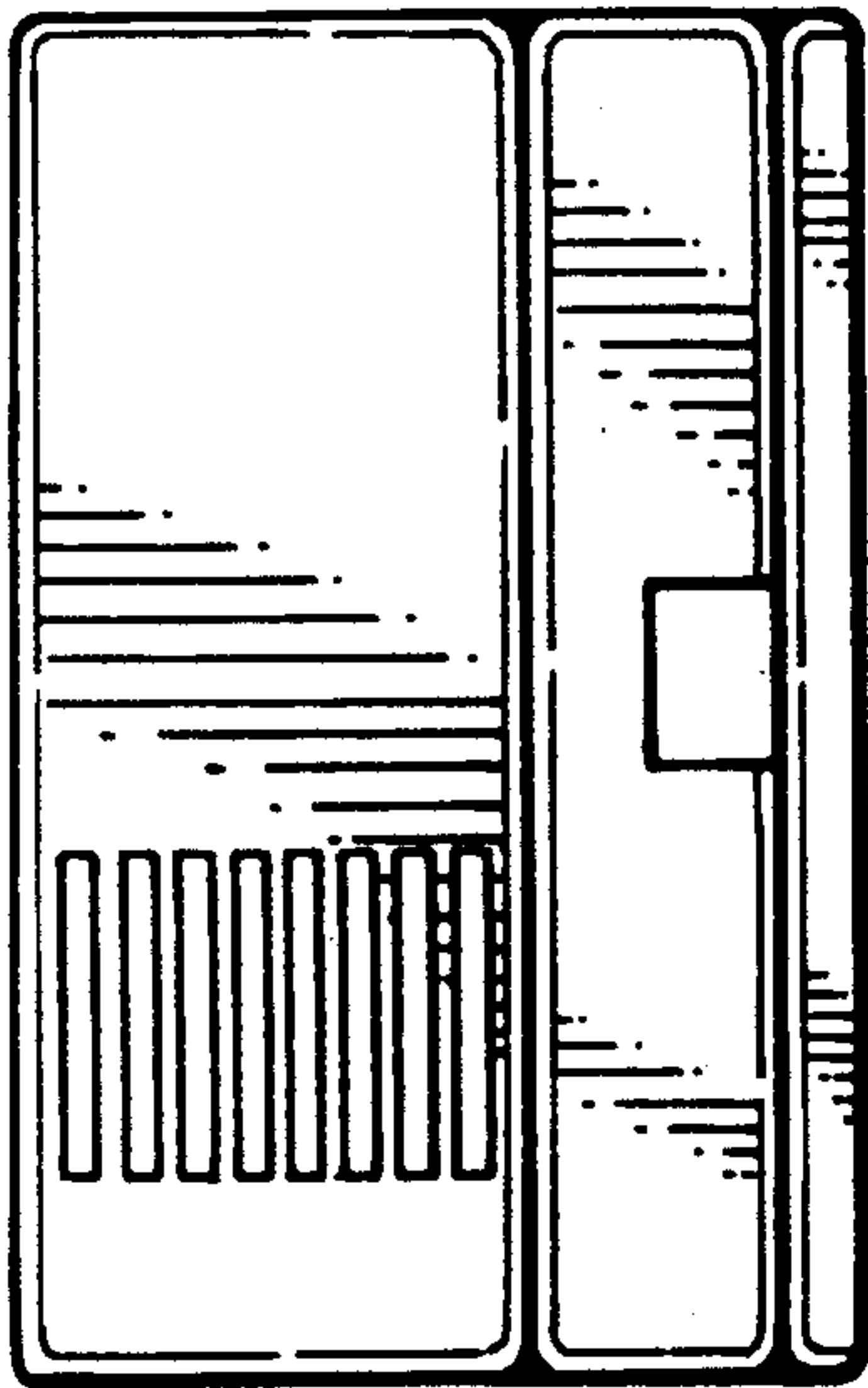


Fig. 4

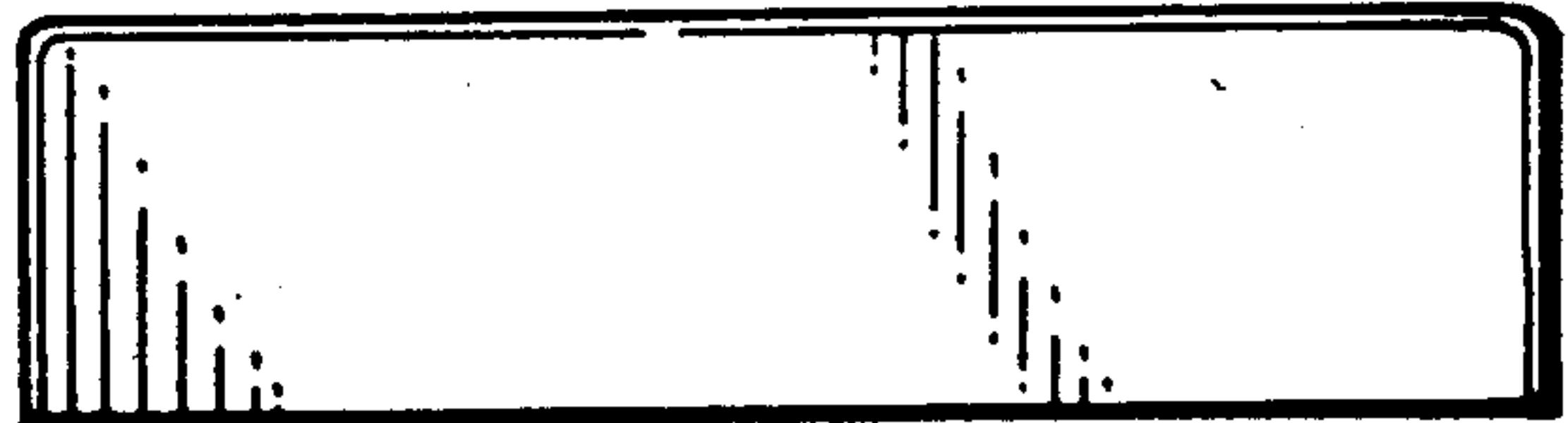


Fig. 6