

[54] TOY TRAILER

[75] Inventor: Ib H. Berggren, Vedbaek, Denmark

[73] Assignee: Interlego A.G., Baar, Switzerland

[\*\*] Term: 14 Years

[21] Appl. No.: 443,251

[22] Filed: Nov. 29, 1989

[52] U.S. Cl. .... D21/128; D21/135

[58] Field of Search ..... D21/71, 80, 81, 108, D21/124, 128, 134, 135, 141; 280/1.13, 1.22, 87.01, 87.041, 87.043, 828; 446/95, 128, 440

[56] References Cited

U.S. PATENT DOCUMENTS

D. 123,810	12/1940	Levering	.....	D21/135
D. 146,510	3/1947	Larsen	.....	D21/135
D. 262,045	11/1981	Nakao et al.	.....	D21/128
D. 282,090	1/1986	Takahashi	.....	D21/108
D. 295,642	5/1988	Olsen	.....	D21/108
D. 296,346	6/1988	Thomsen	.....	D21/128
D. 309,643	7/1990	Picozza et al.	.....	D21/128
D. 309,929	8/1990	Olsen	.....	D21/108

OTHER PUBLICATIONS

Kusan Toy Catalog, 1972, p. 63.

Primary Examiner—Charles A. Rademaker

Assistant Examiner—R. Barkai

Attorney, Agent, or Firm—Kane, Dalsimer, Sullivan, Kurucz, Levy, Eisele and Richard

[57] CLAIM

The ornamental design for a toy trailer, as shown and described.

DESCRIPTION

FIG. 1 is a top perspective view of a toy trailer showing my new design;

FIG. 2 is a bottom perspective view thereof;

FIG. 3 is a front elevational view thereof;

FIG. 4 is a side elevational view thereof, the side opposite being substantially a mirror image;

FIG. 5 is a rear elevational view thereof;

FIG. 6 is a top plan view thereof;

FIG. 7 is a bottom plan view thereof;

FIG. 8 is a top perspective view thereof in an open position; and

FIG. 9 is a bottom perspective view thereof in an open position.

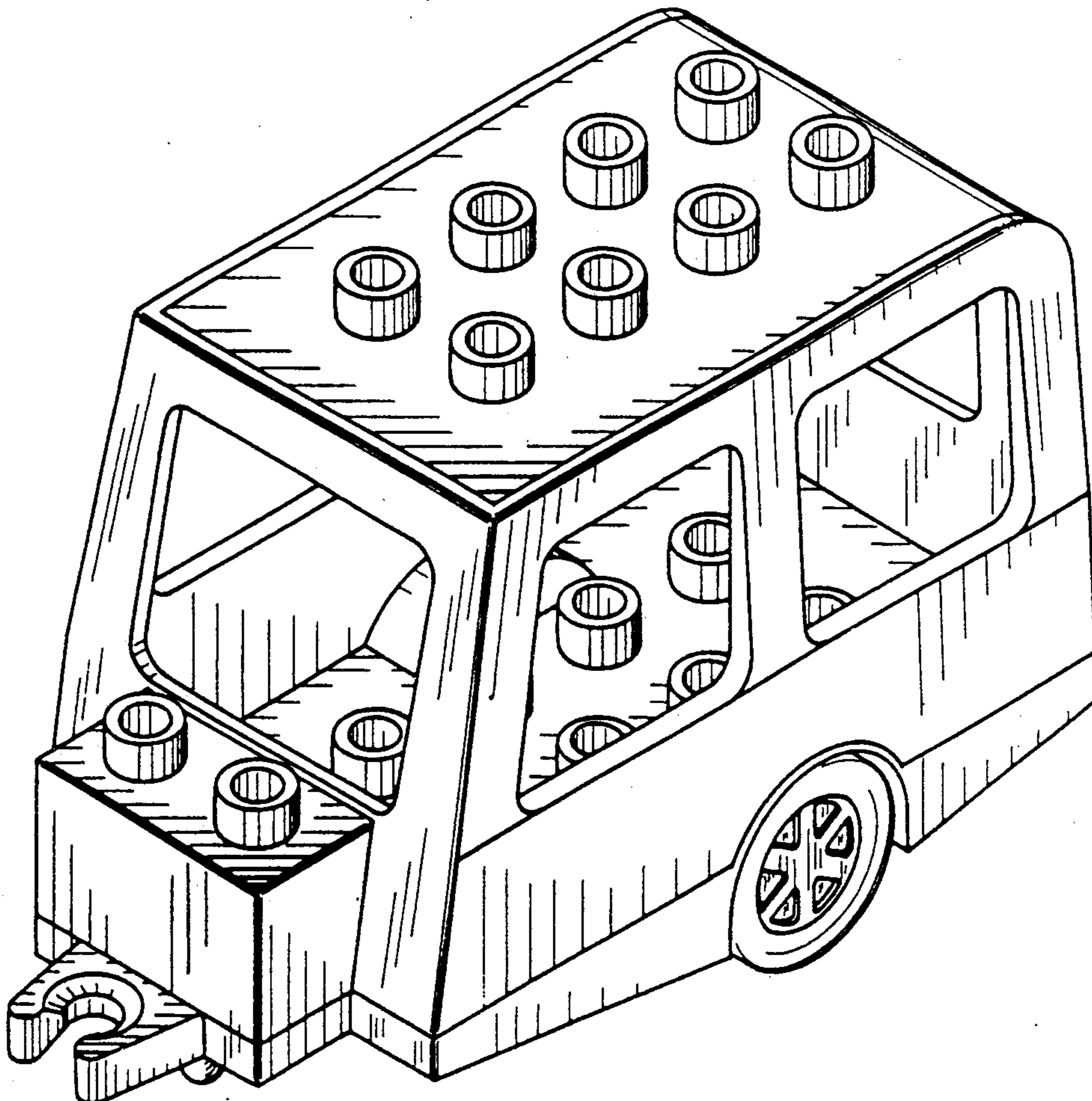


FIG. 1

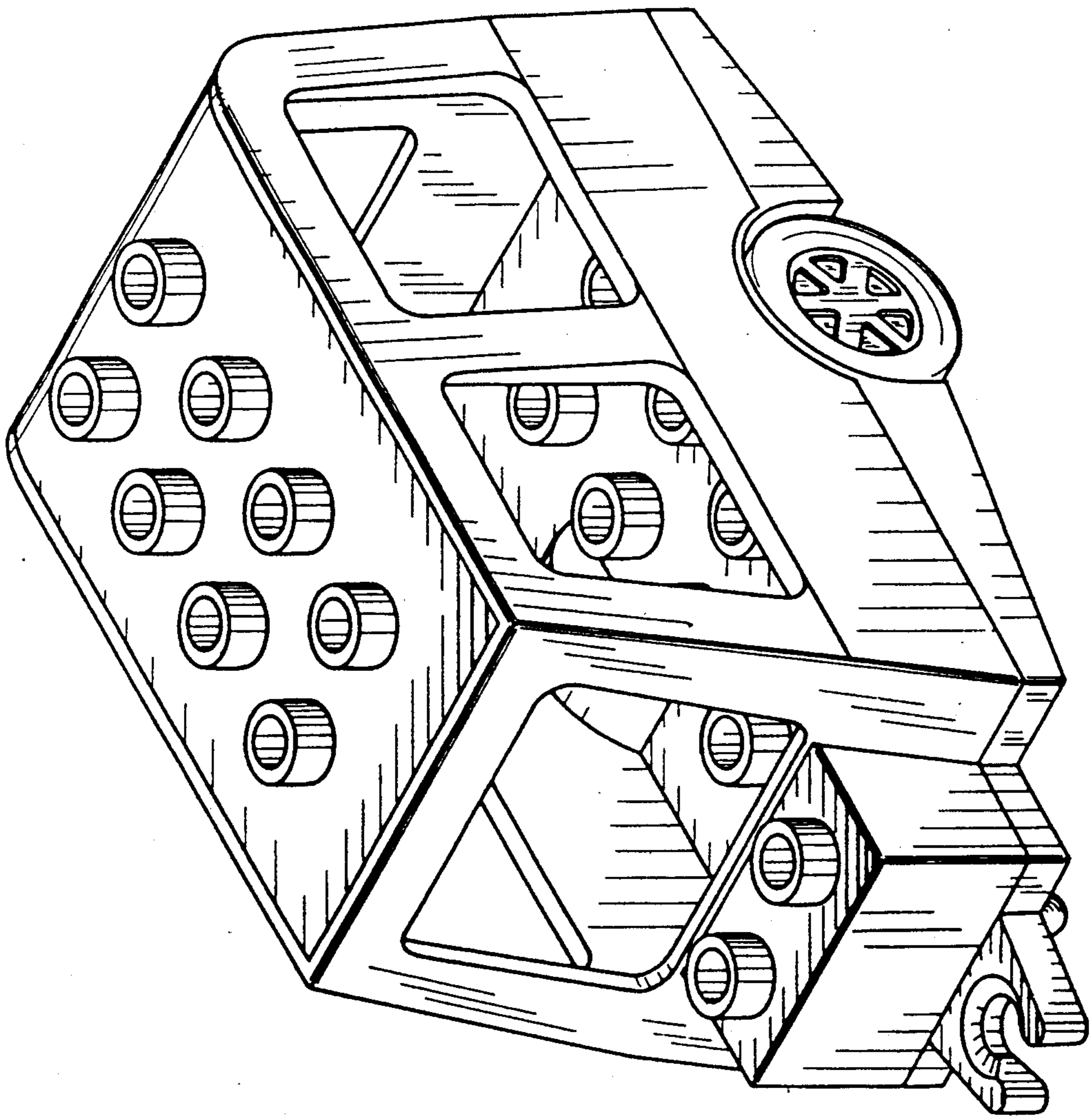


FIG. 2

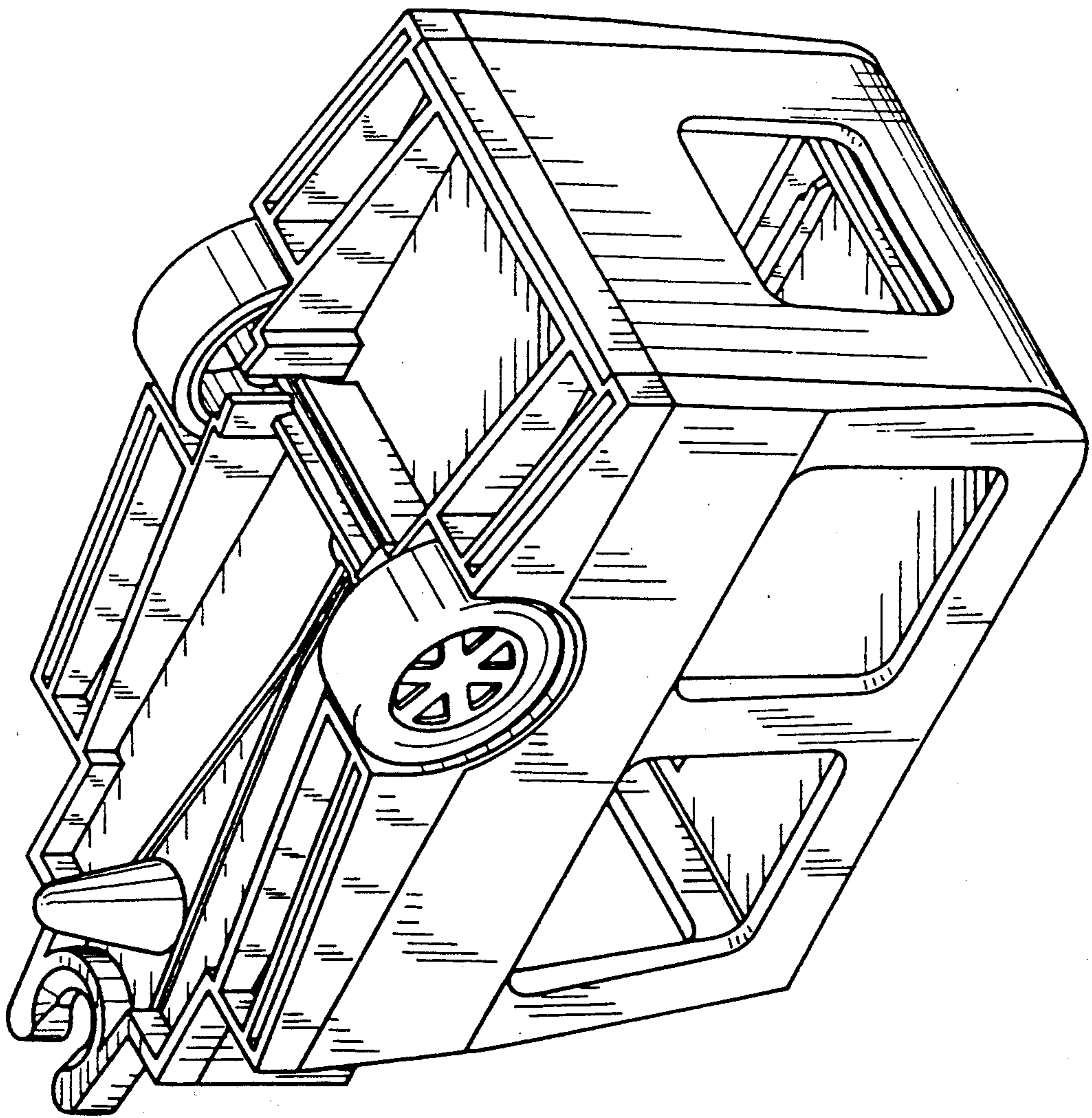




FIG. 5

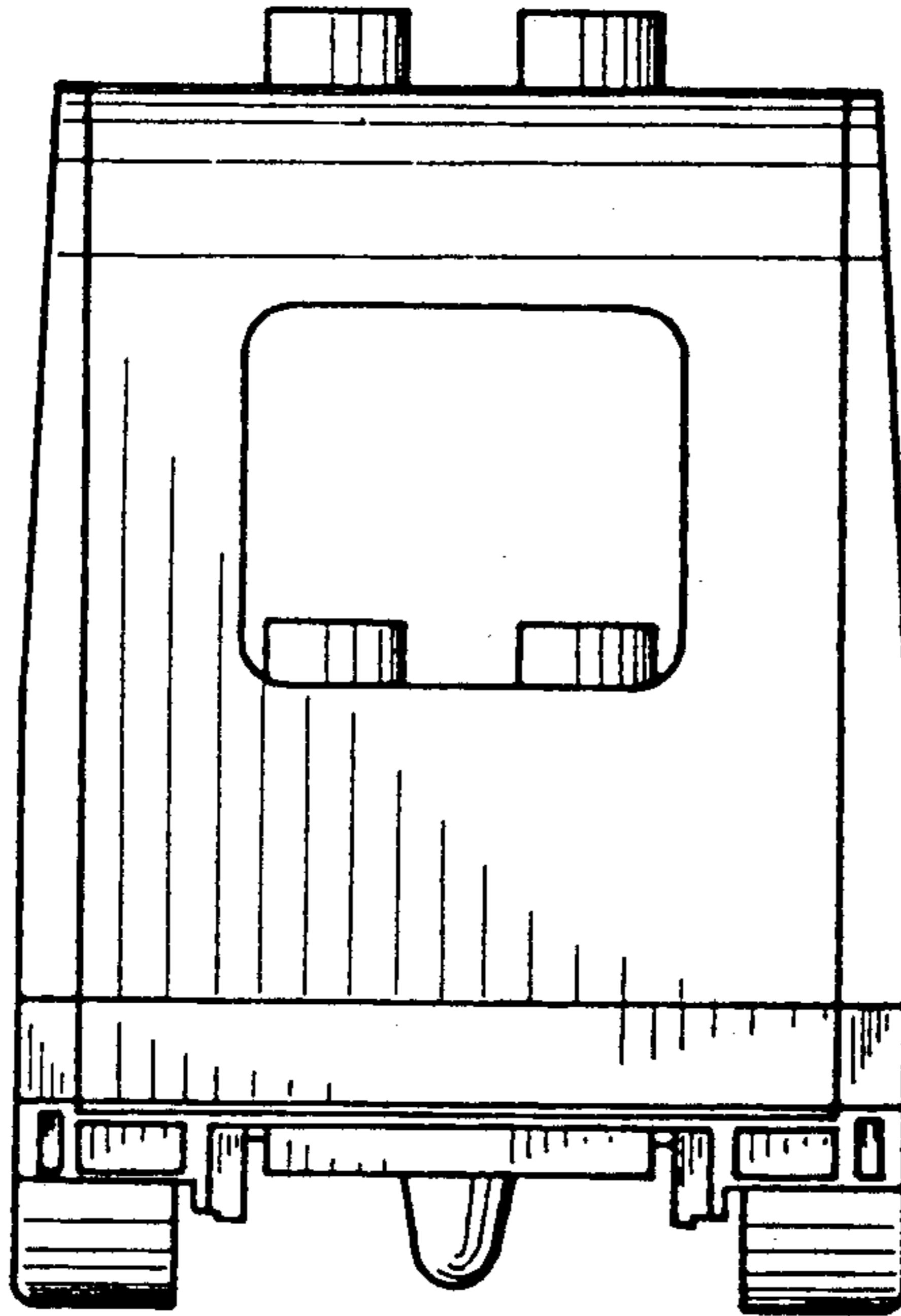


FIG. 3

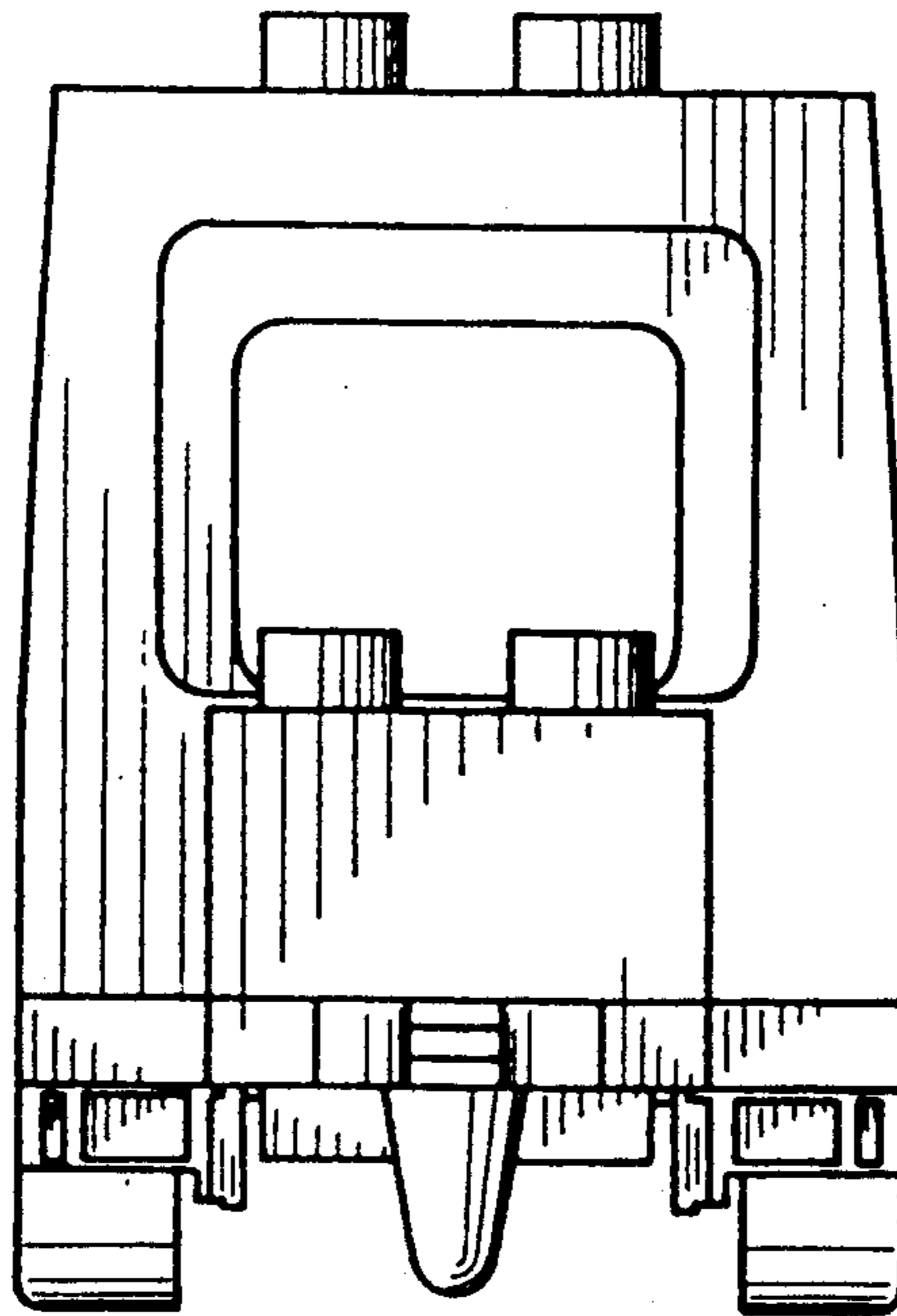


FIG. 4

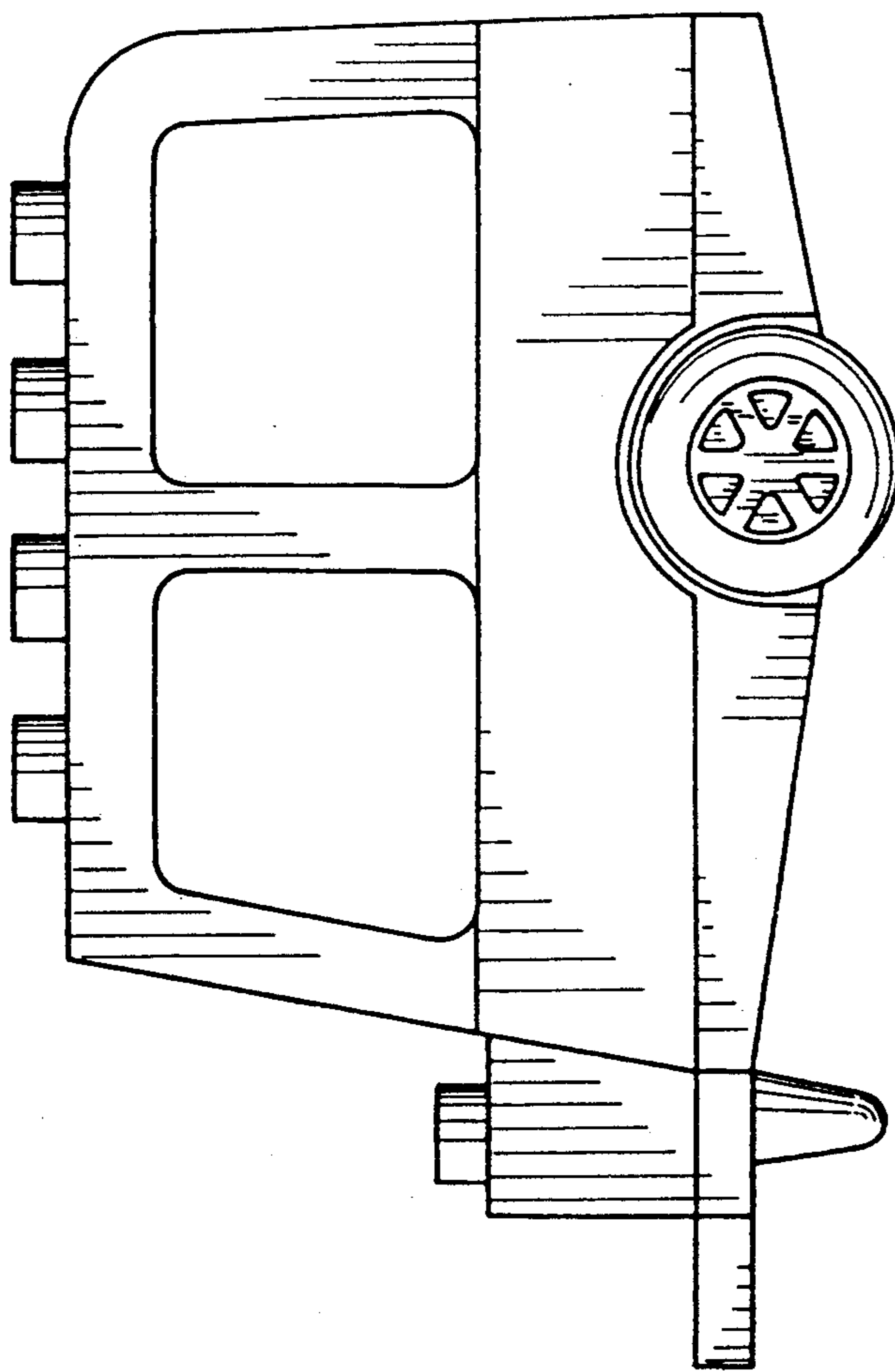


FIG. 7

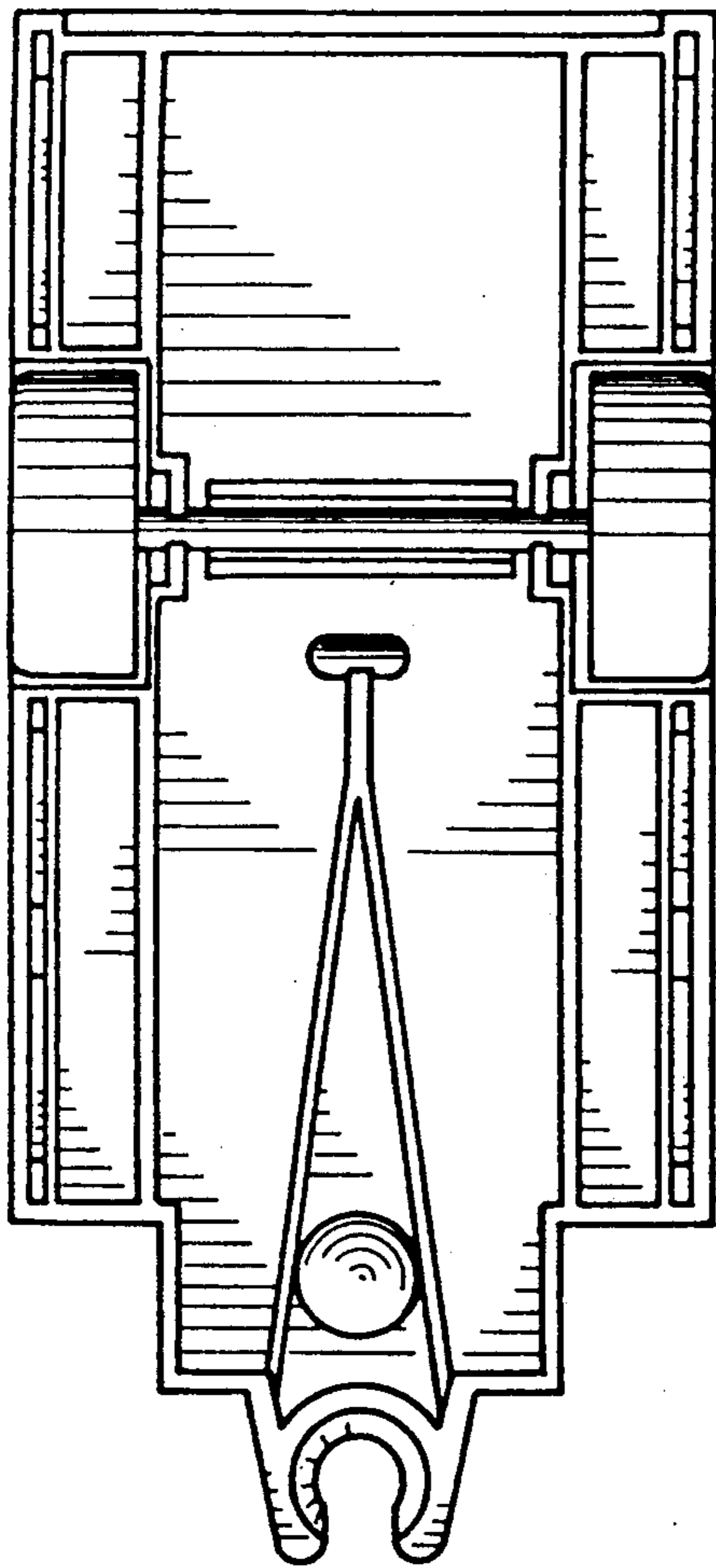


FIG. 6

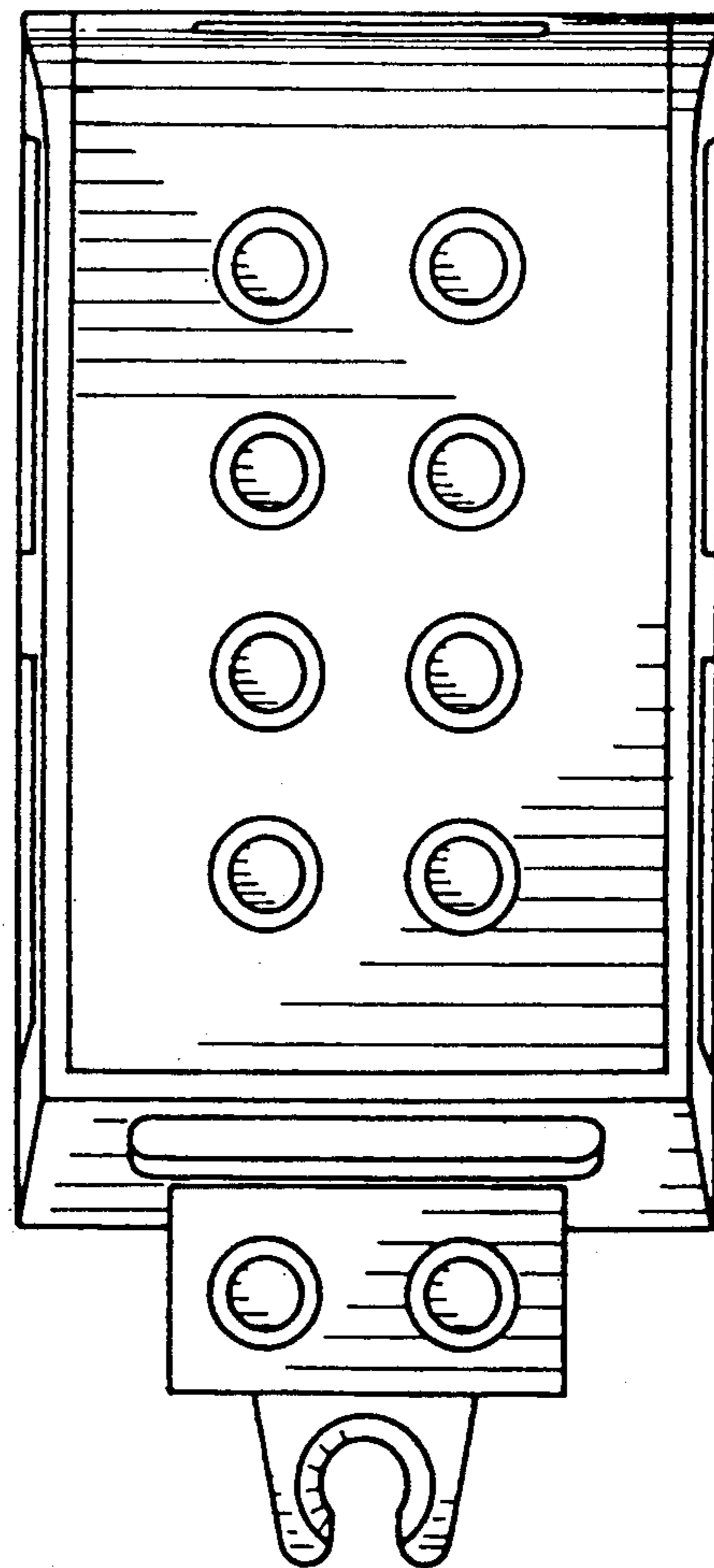


FIG. 8

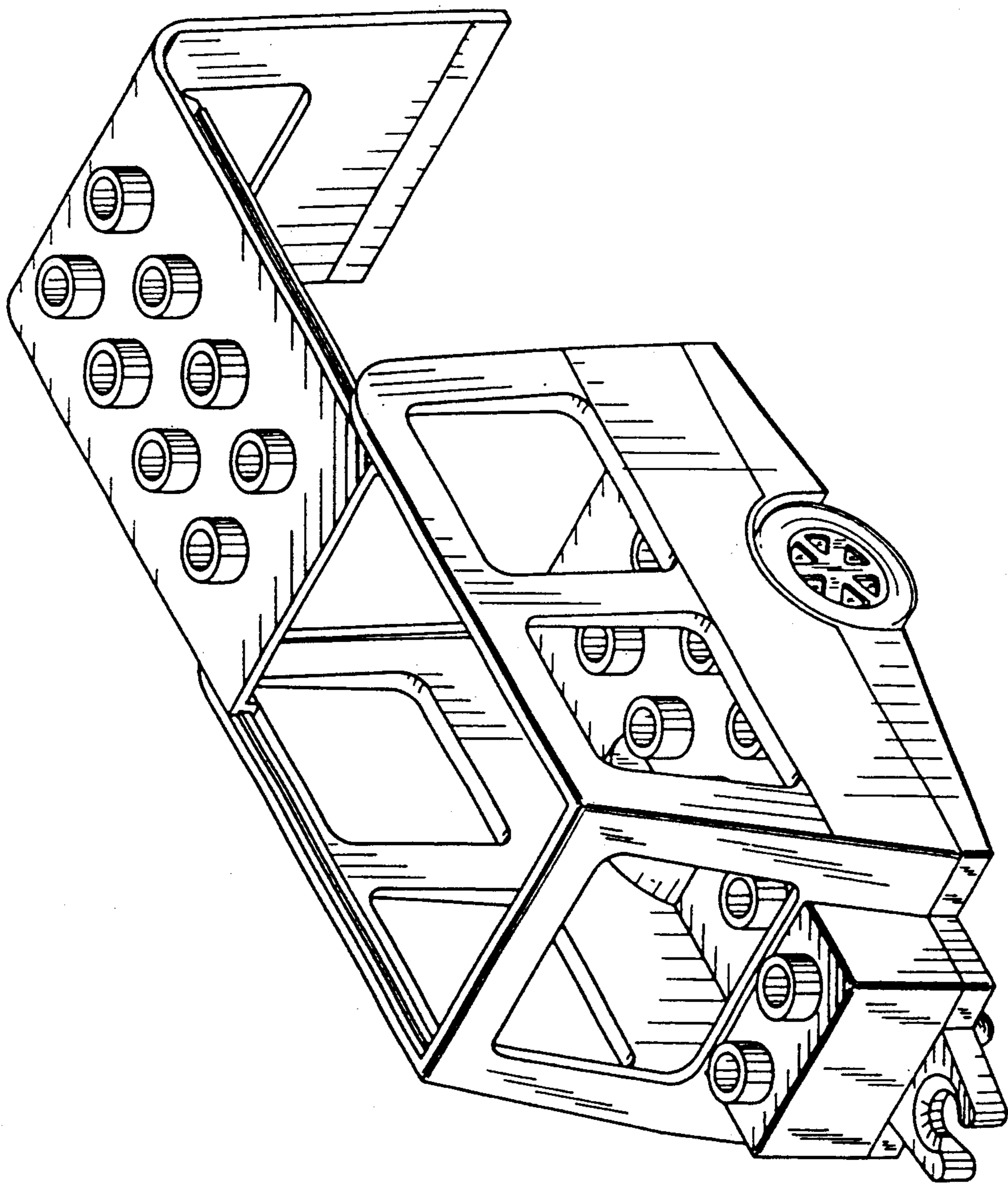


FIG. 9

