

[54] **PRINTER FOR PERSONAL COMPUTER**

[75] Inventor: Joseph C. Moro, Ithaca, N.Y.

[73] Assignee: NCR Corporation, Dayton, Ohio

[**] Term: 14 Years

[21] Appl. No.: 221,562

[22] Filed: Jul. 18, 1988

[52] U.S. Cl. D18/13

[58] Field of Search 101/420, 130; D14/100, D14/111, 118; D18/13, 36; 400/126, 613, 613.2-613.4, 691-694; 364/708

[56] **References Cited**

U.S. PATENT DOCUMENTS

D. 181,794	12/1957	Hohmann	D18/13
D. 224,019	6/1972	Kalvitis et al.	D14/100
D. 232,055	7/1974	Frick	D18/13
D. 258,959	4/1981	Clayton et al.	D14/111
D. 263,397	3/1982	Vierling et al.	D14/111

D. 263,831	4/1982	Barbera et al.	D14/118
D. 290,258	6/1987	Weisz et al.	D14/111
D. 292,976	12/1987	Kando	D14/118
D. 293,792	1/1988	Watson	14/105

Primary Examiner—James R. Largen
Assistant Examiner—CathyAnne MacCormac
Attorney, Agent, or Firm—Wilbert Hawk, Jr.; Albert L. Sessler, Jr.; George J. Muckenthaler

[57] **CLAIM**

The ornamental design for a printer for personal computer, as shown and described.

DESCRIPTION

FIG. 1 is a right front perspective view of a printer for personal computer showing my new design; FIG. 2 is a front elevational view thereof; FIG. 3 is a rear elevational view thereof; FIG. 4 is a right side elevational view thereof; FIG. 5 is a left side elevational view thereof; and FIG. 6 is a top plan view thereof.

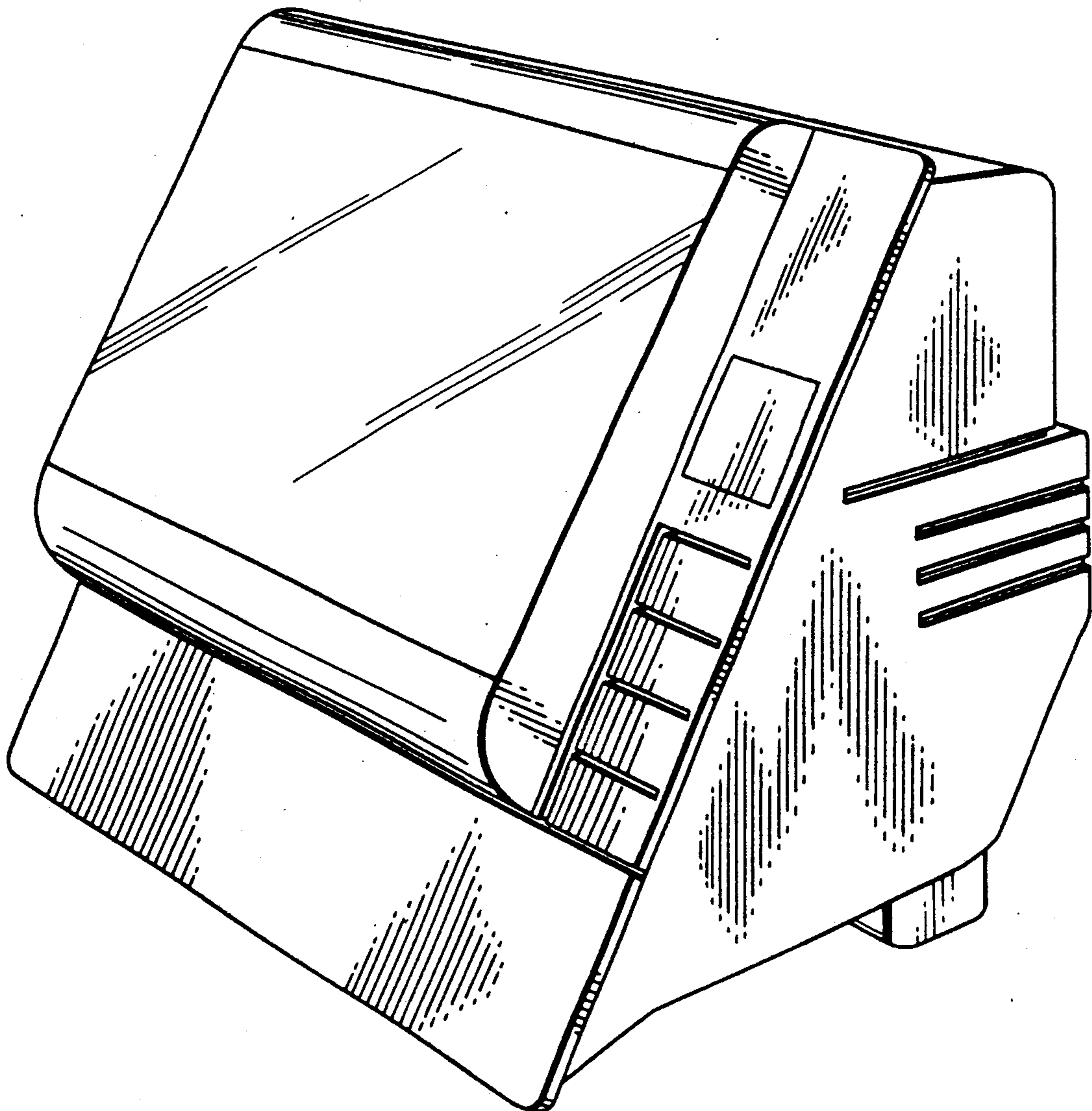


FIG. 1

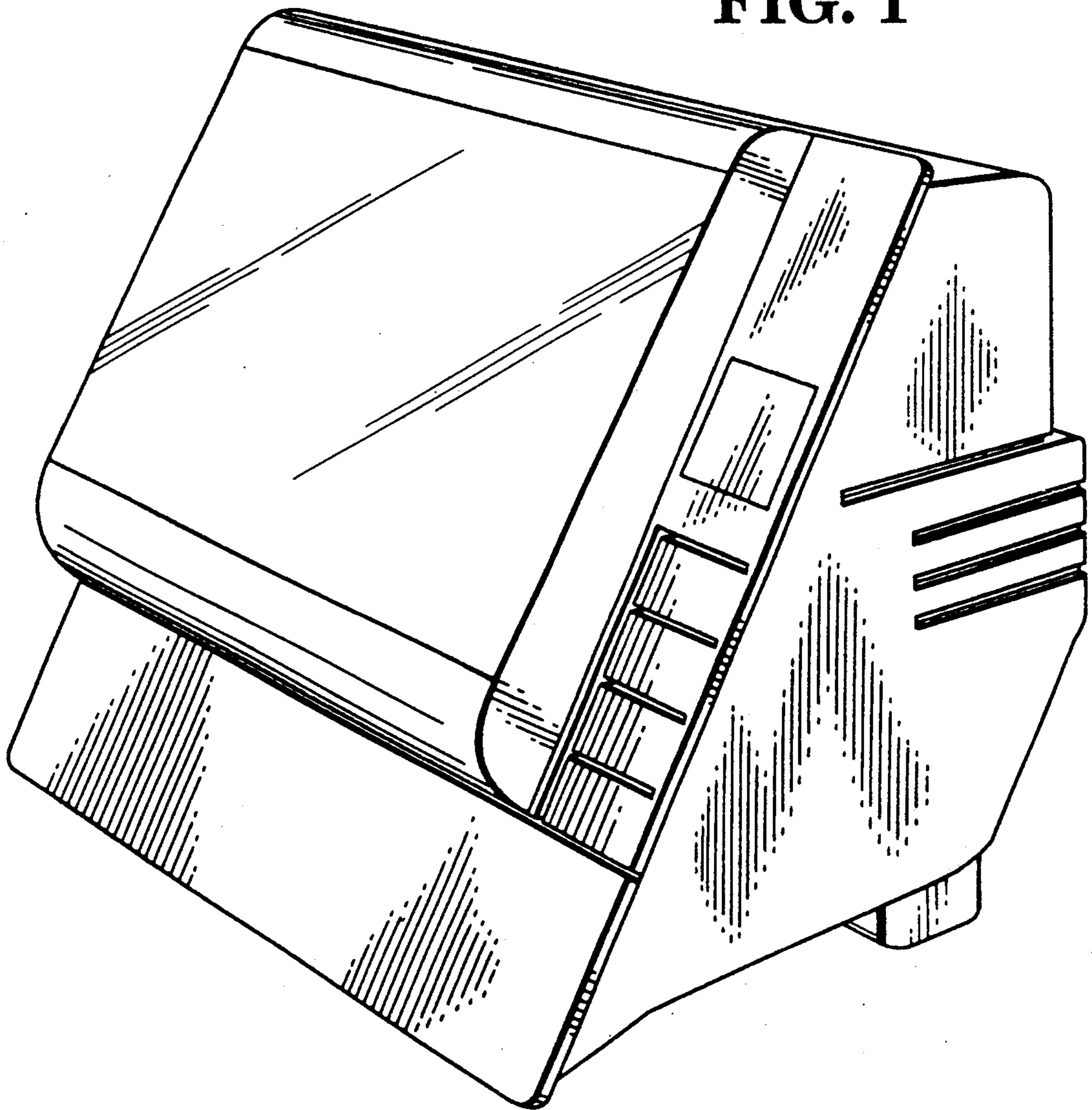


FIG. 2

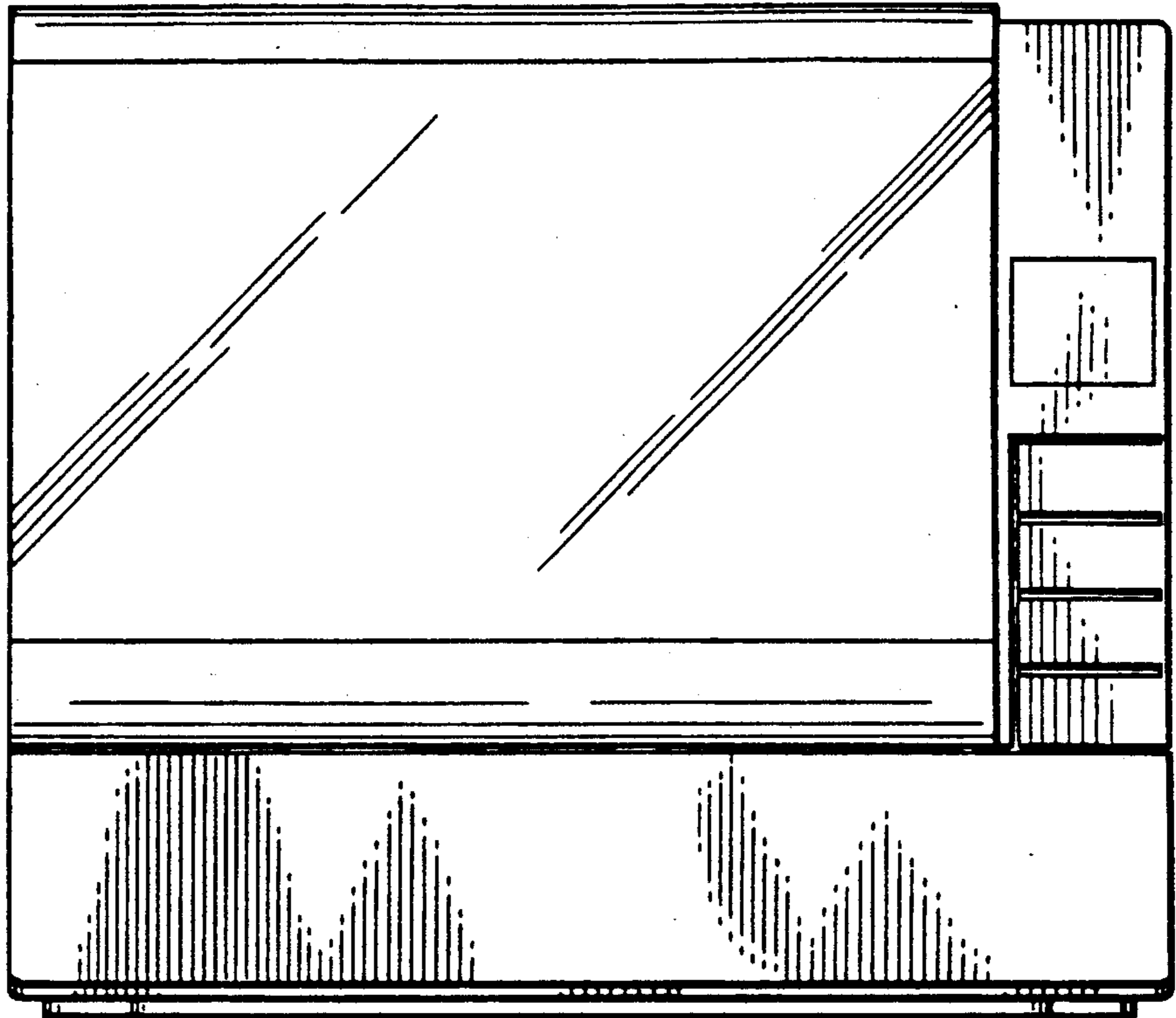


FIG. 3

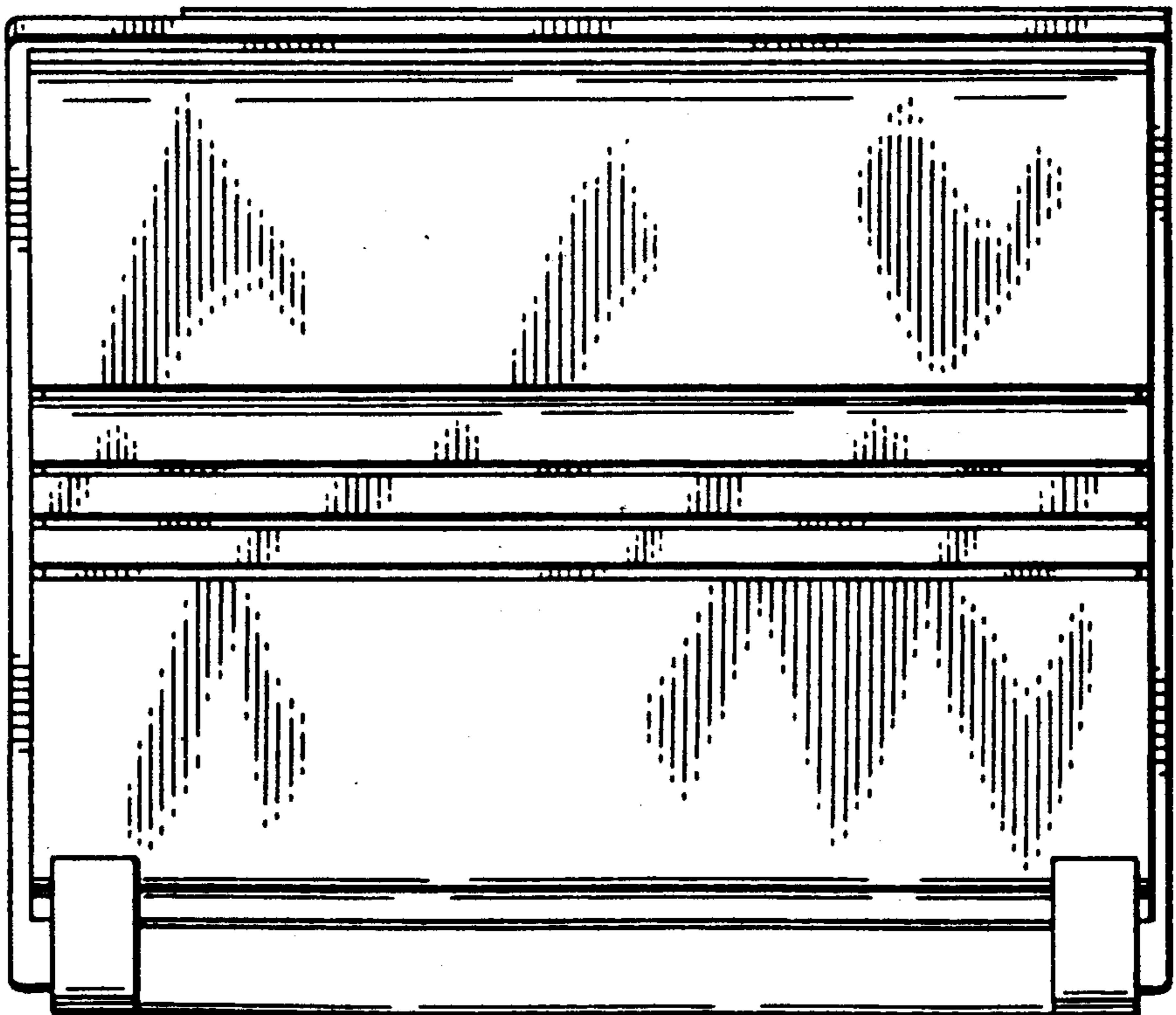


FIG. 4

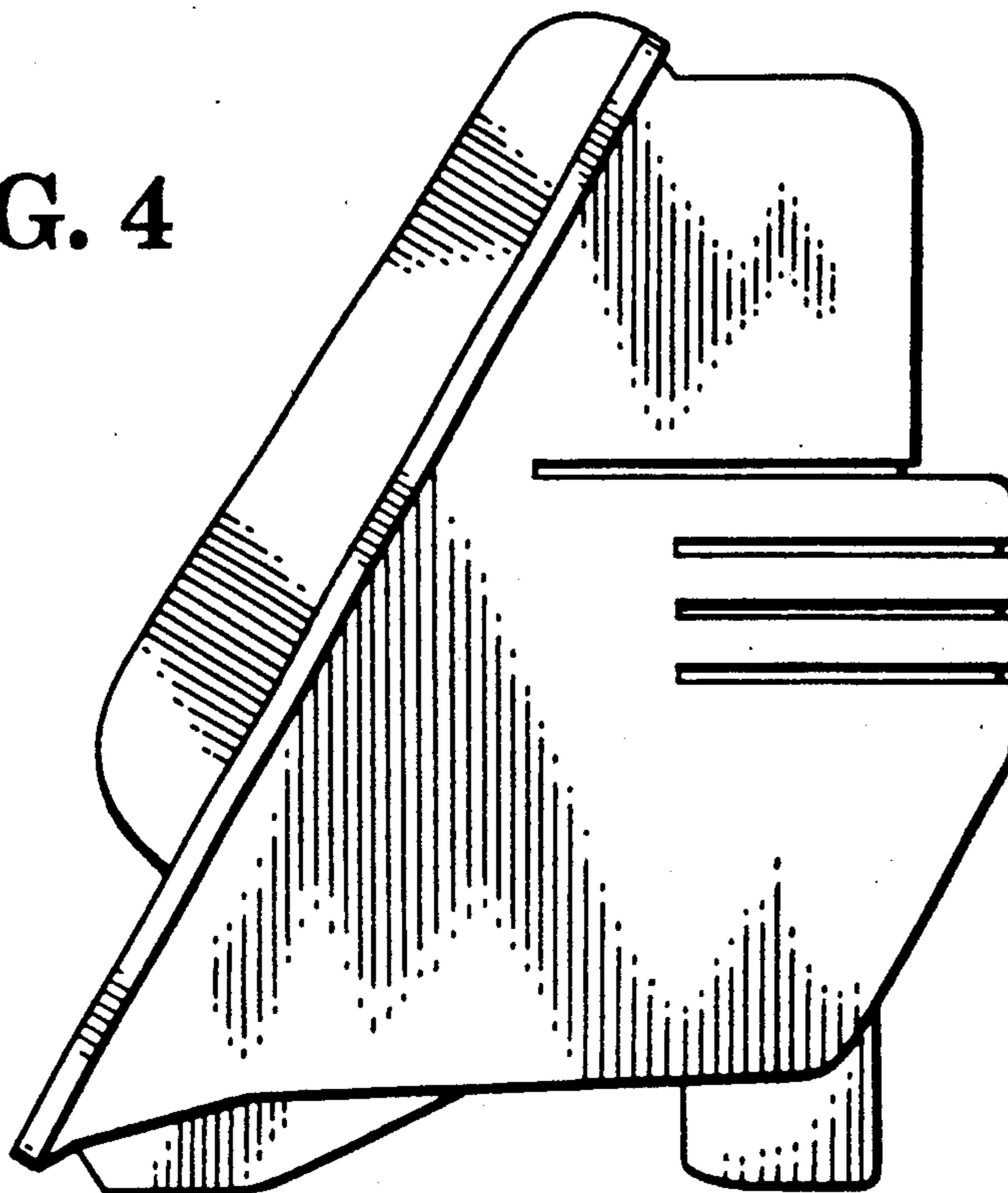


FIG. 5

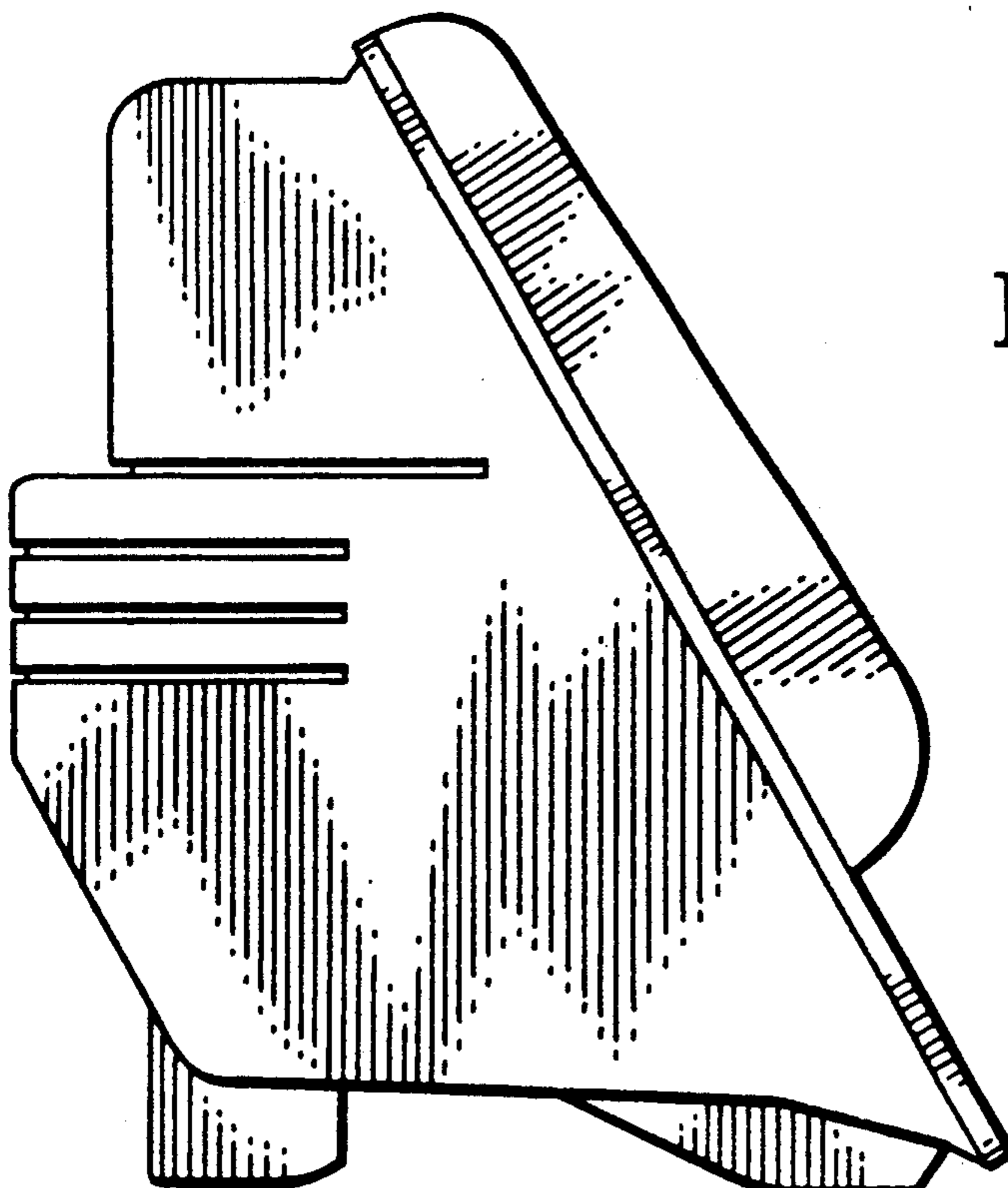


FIG. 6

