

[54] GRAND PIANO

[75] Inventor: Wendell K. Castle, Scottsville, N.Y.

[73] Assignee: Steinway Musical Properties, Inc.,
Waltham, Mass.

[**] Term: 14 Years

[21] Appl. No.: 201,112

[22] Filed: Jul. 18, 1988

[52] U.S. Cl. D17/8

[58] Field of Search D7/1, 2, 5, 6, 7, 8;
D21/64; 84/174; 176, 177; D6/349, 381

[56] References Cited

U.S. PATENT DOCUMENTS

D. 64,464	4/1924	Lehr	D17/8
D. 113,631	3/1939	Gugler	D17/8
D. 219,404	12/1970	White	D17/8
D. 246,142	10/1977	Heumann	D6/349

3,969,970 7/1976 Swift et al. 84/177

OTHER PUBLICATIONS

Housewares Review, Jan. 1962, p. 154.

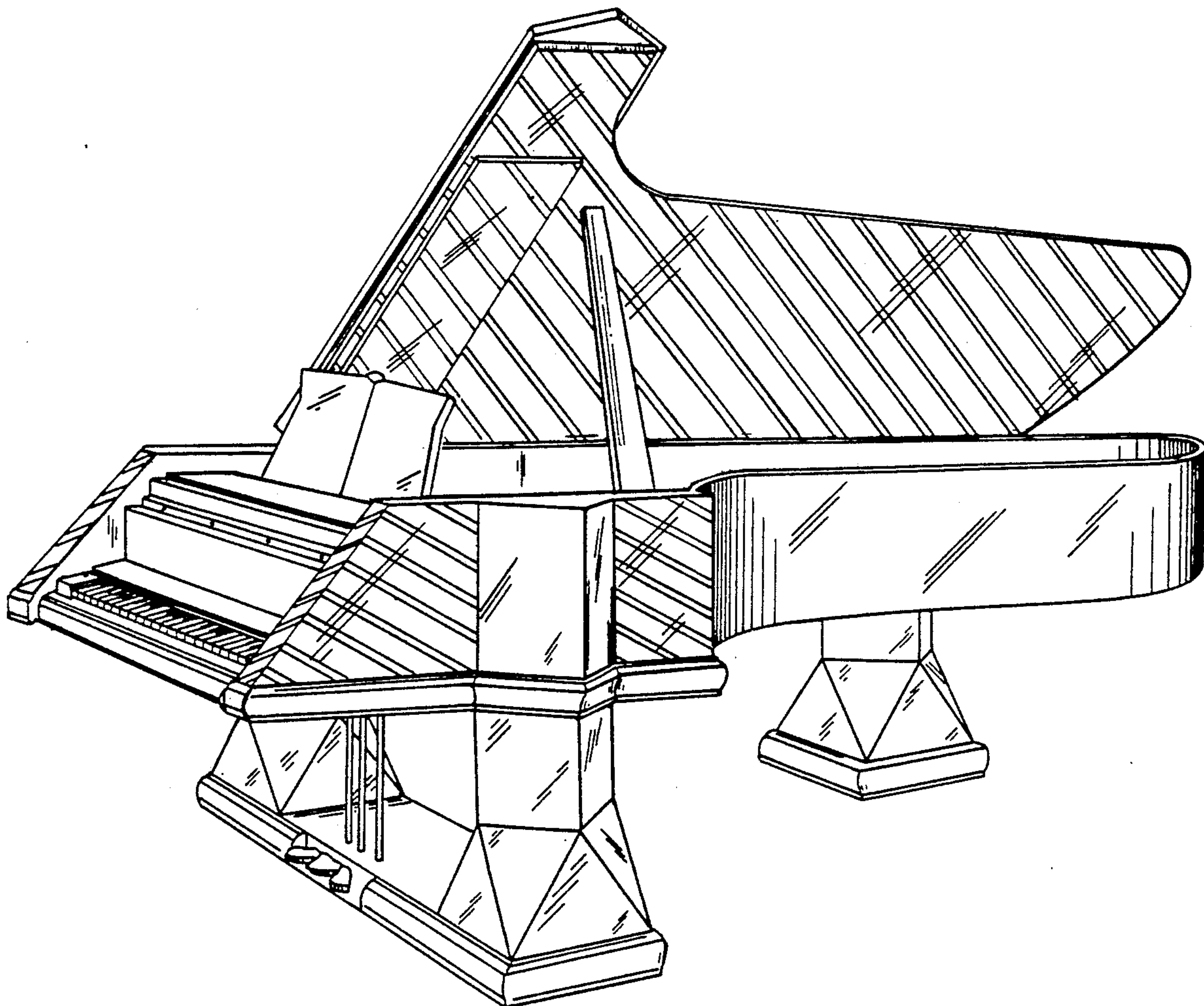
Primary Examiner—Bernard Ansher
Assistant Examiner—Adir Aronovich
Attorney, Agent, or Firm—Fish & Richardson

[57] CLAIM

The grand piano, as described and shown in FIGS. 1-5 inclusive.

DESCRIPTION

FIG. 1 is a perspective view of a grand piano, with the cover in a raised position, showing my new design; FIG. 2 is a front elevational view thereof; FIG. 3 is a left side elevational view thereof; FIG. 4 is a right side elevational view thereof; FIG. 5 is a rear elevational view thereof; and FIG. 6 is a perspective view as seen from the opposite side of FIG. 1.



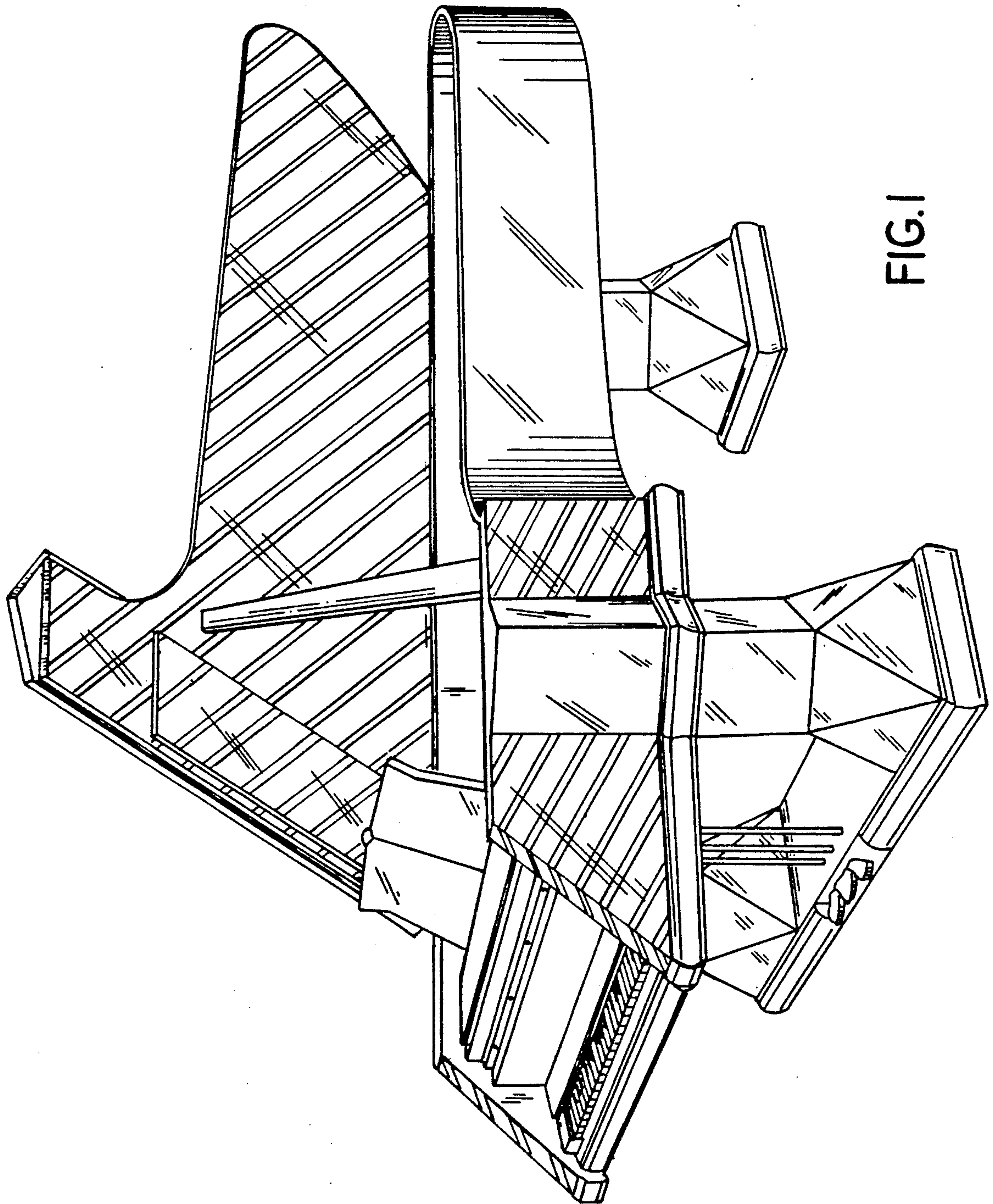


FIG. 1

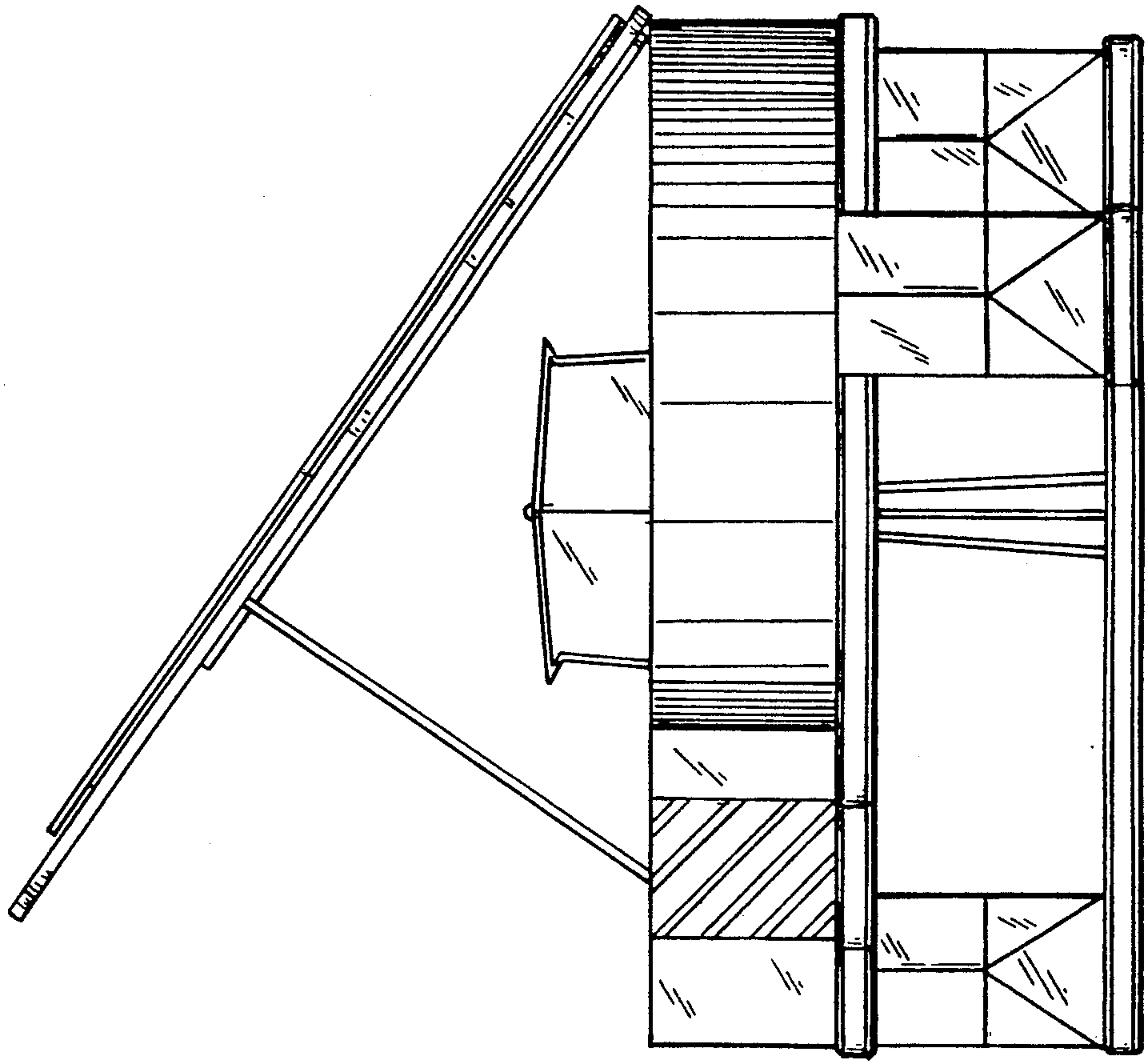


FIG. 5

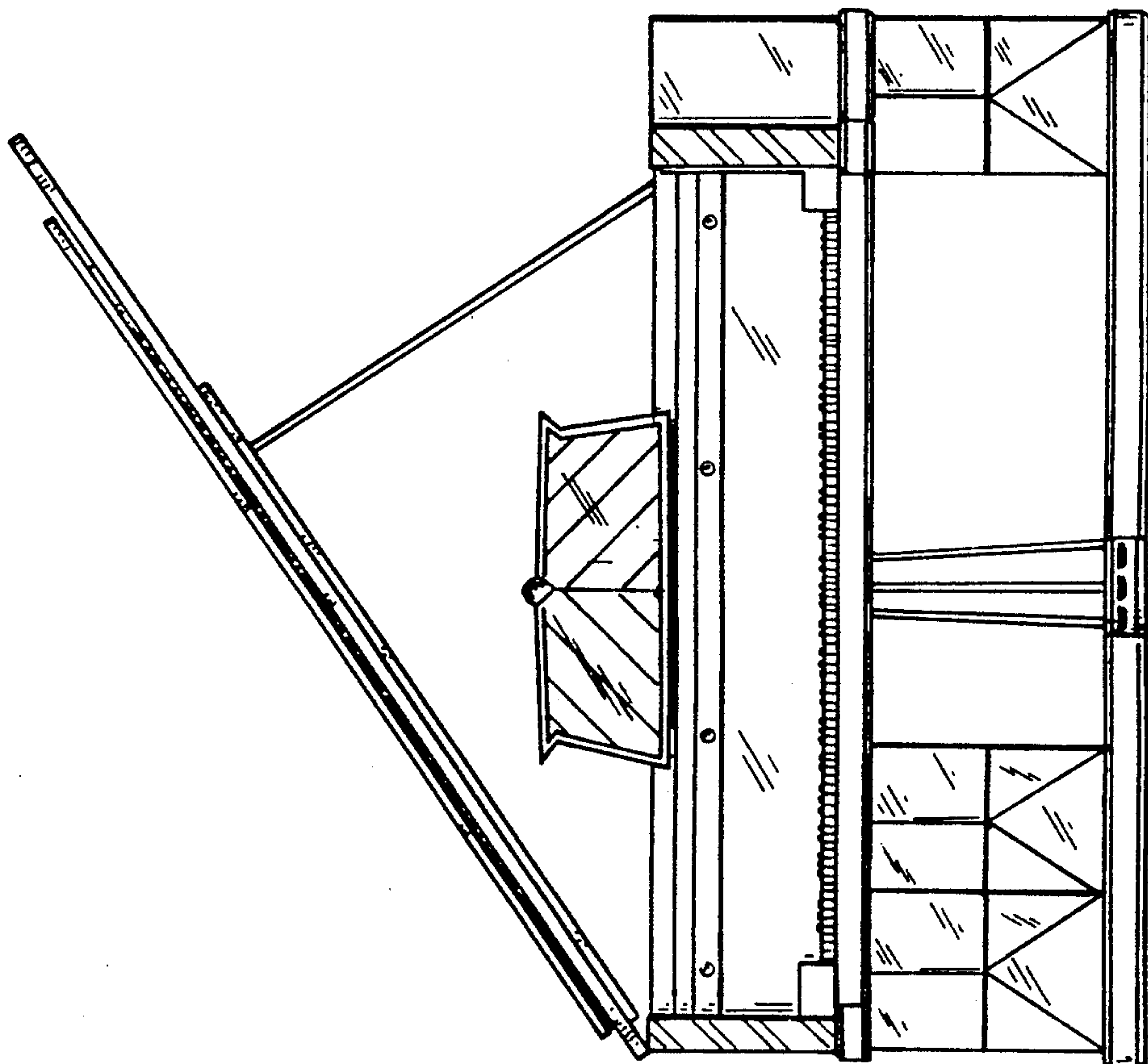
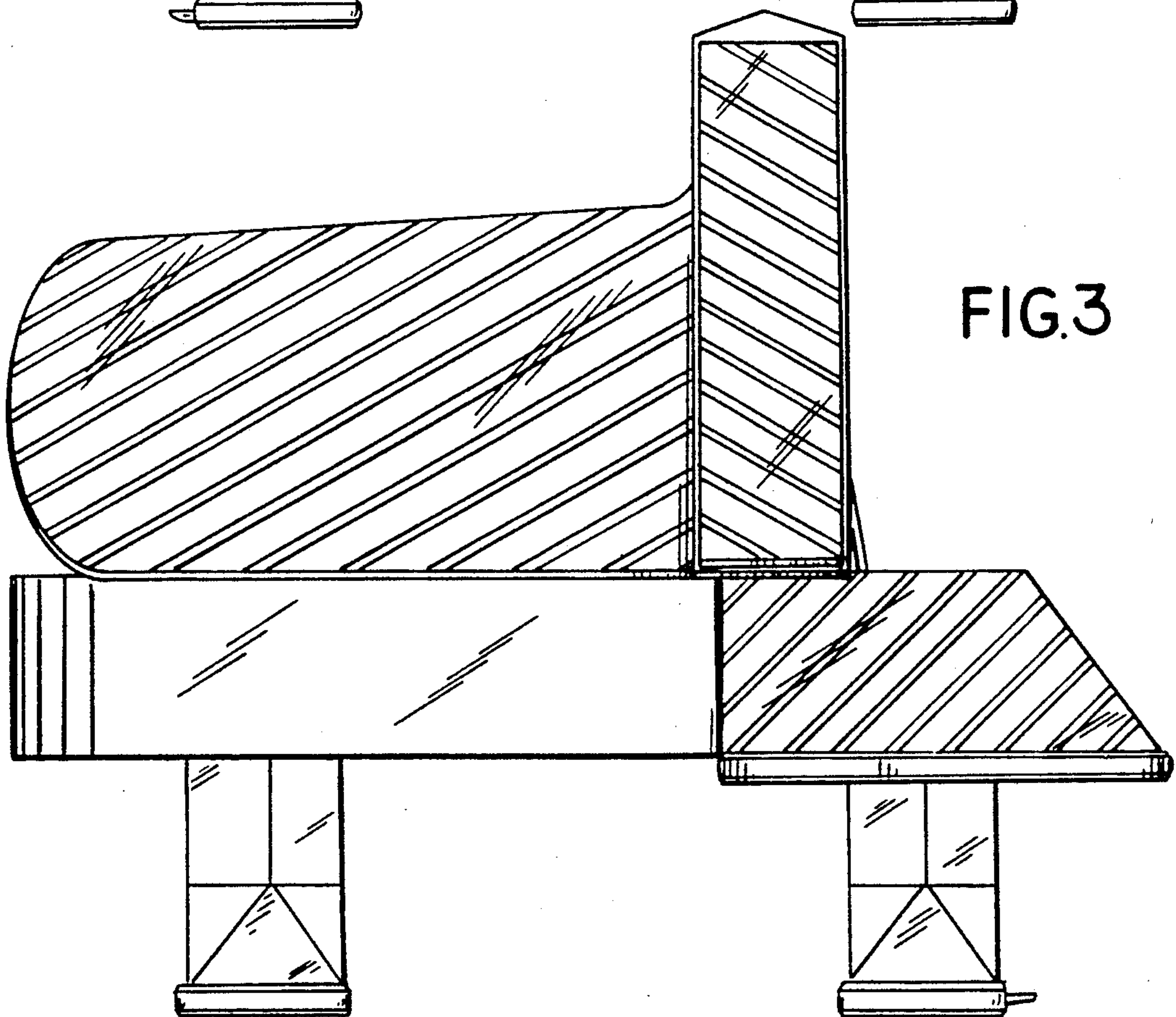
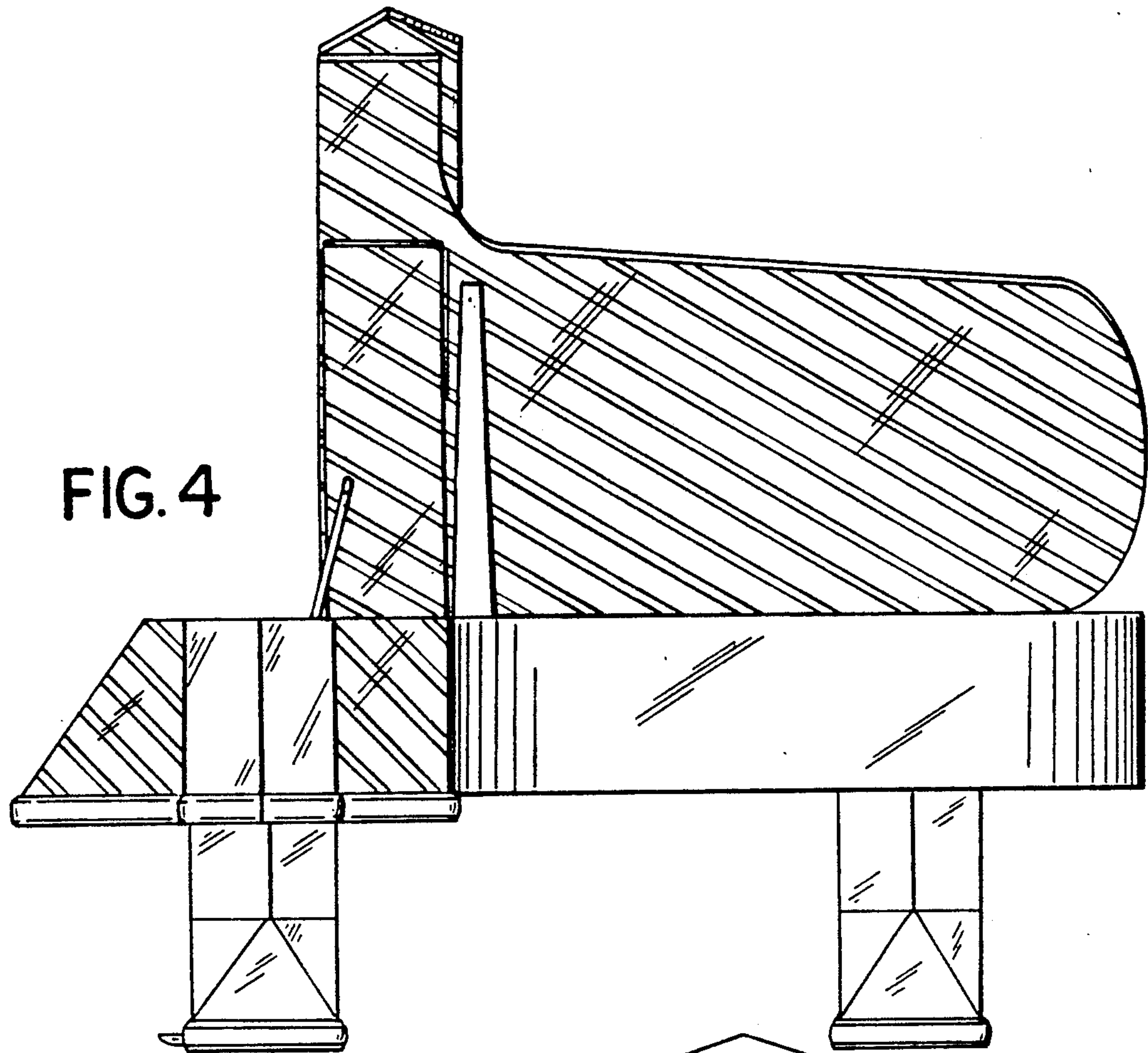


FIG. 2



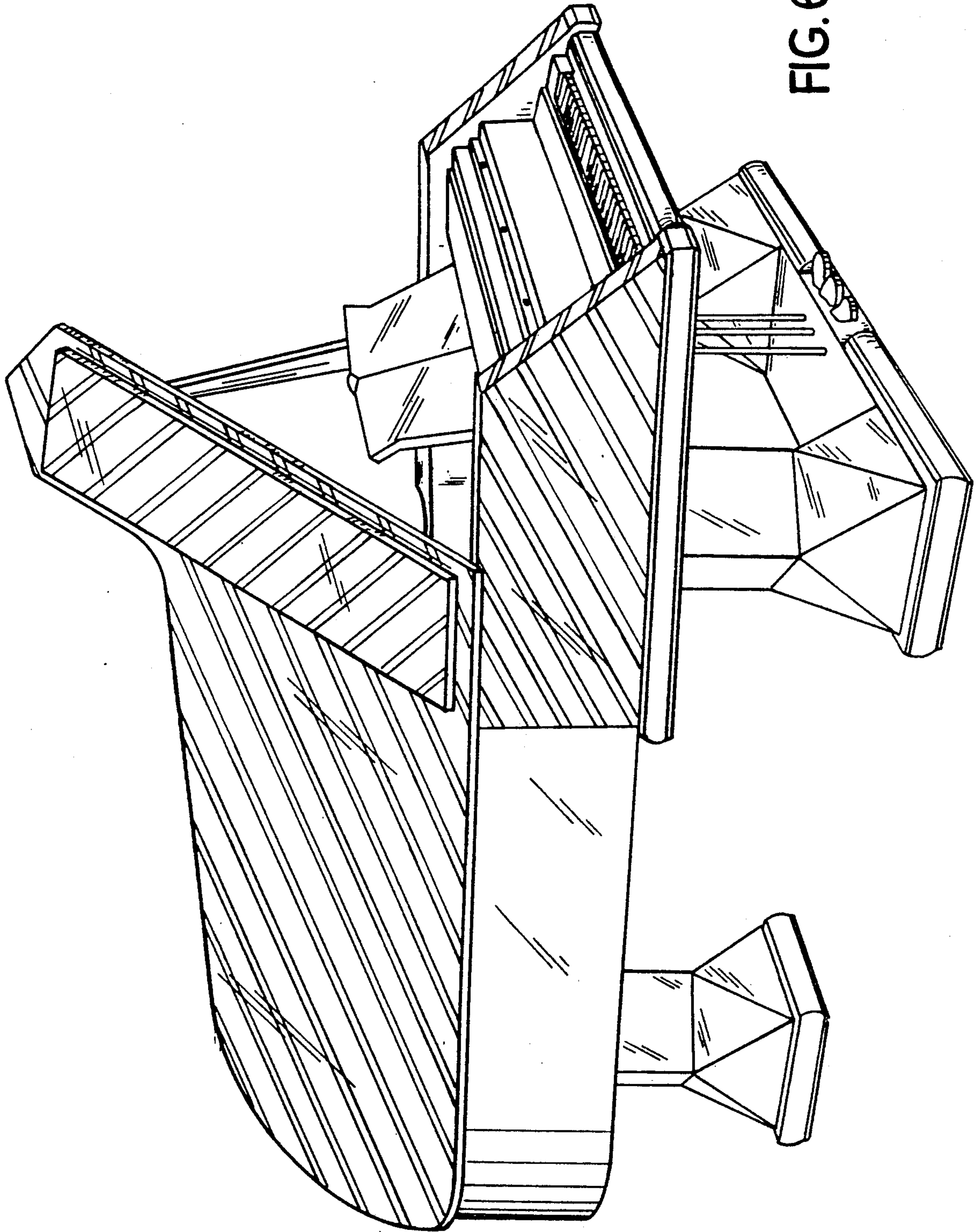


FIG. 6