

[54] **TOWABLE UNDERWATER CAMERA**
[75] **Inventor: Edward W. S. Kneebone, Floreat Park, Australia**
[73] **Assignee: Remotely Operated Vehicles Limited, Australia**
[**] **Term: 14 Years**
[21] **Appl. No.: 230,132**
[22] **Filed: Aug. 9, 1988**
[52] **U.S. Cl. D16/204**
[58] **Field of Search D16/200, 201, 203, 204; 354/64, 65, 67; 358/98**

D. 307,155 4/1990 Försäter D16/204
2,760,417 8/1956 Laval, Jr. 354/64
3,354,658 11/1967 Leonardi .
3,596,082 7/1971 Doret 354/64

Primary Examiner—Melvin B. Feifer
Assistant Examiner—Philip Hyder
Attorney, Agent, or Firm—Dorsey & Whitney

[57] **CLAIM**

The ornamental design for a towable underwater camera, as shown and described.

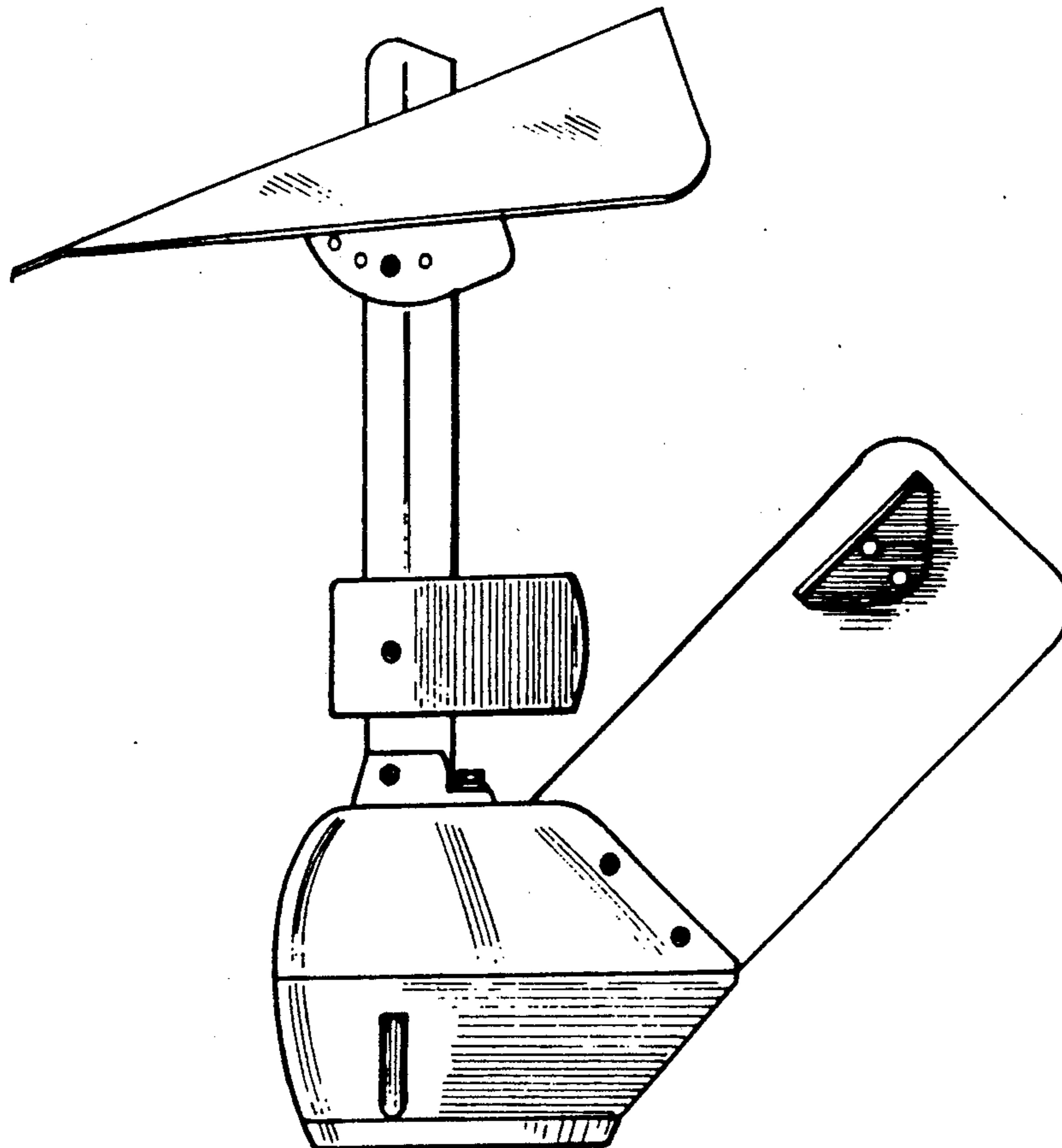
DESCRIPTION

FIG. 1 is a right side elevation view of a towable underwater camera showing my new design, the left side being a mirror image;
FIG. 2 is a bottom plan view thereof;
FIG. 3 is a rear elevation view thereof; and
FIG. 4 is a front elevation view thereof.

[56] **References Cited**

U.S. PATENT DOCUMENTS

D. 215,498 9/1969 Ceccacci D16/204
D. 275,571 9/1984 Carrington D16/204



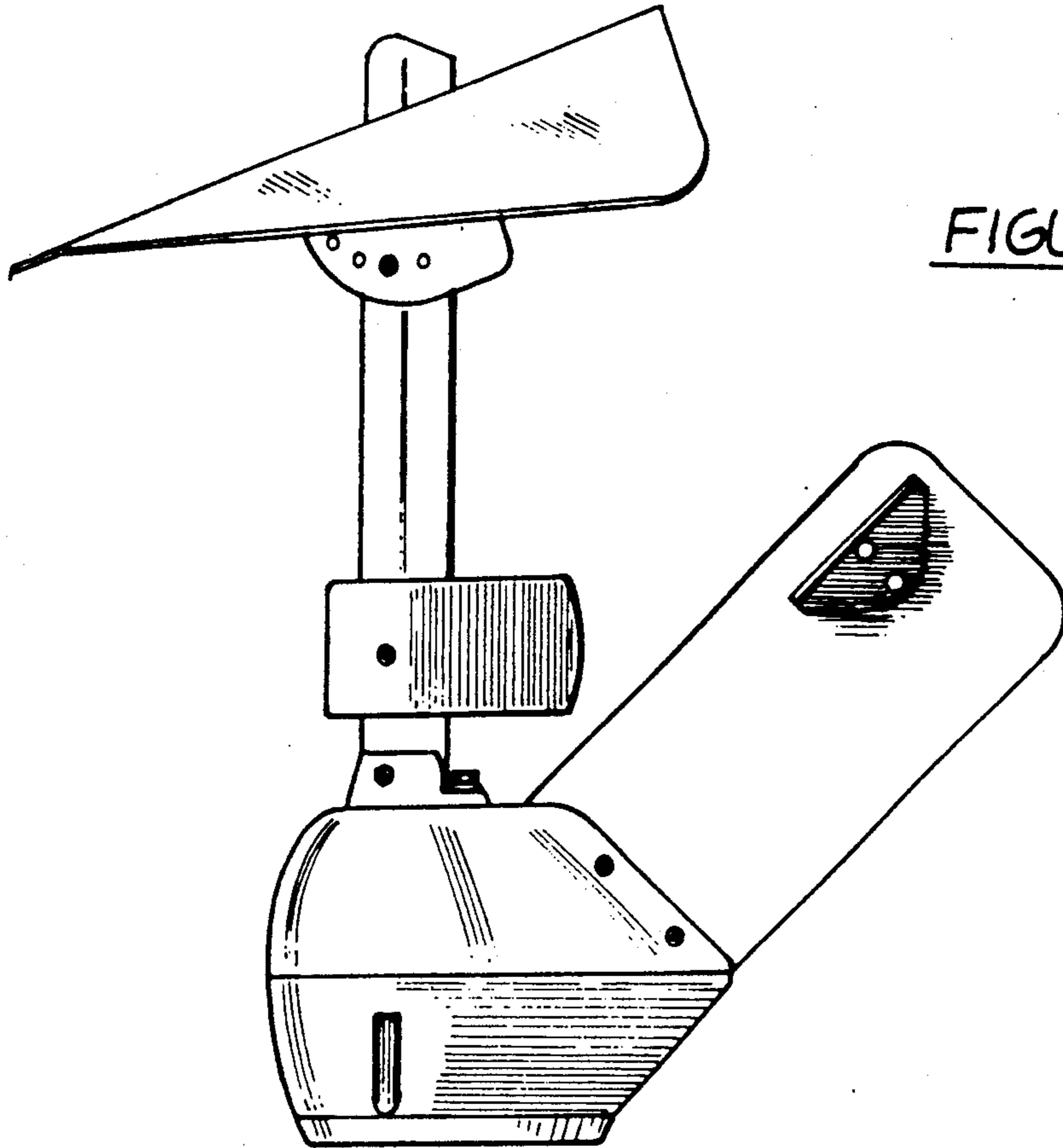


FIGURE.1

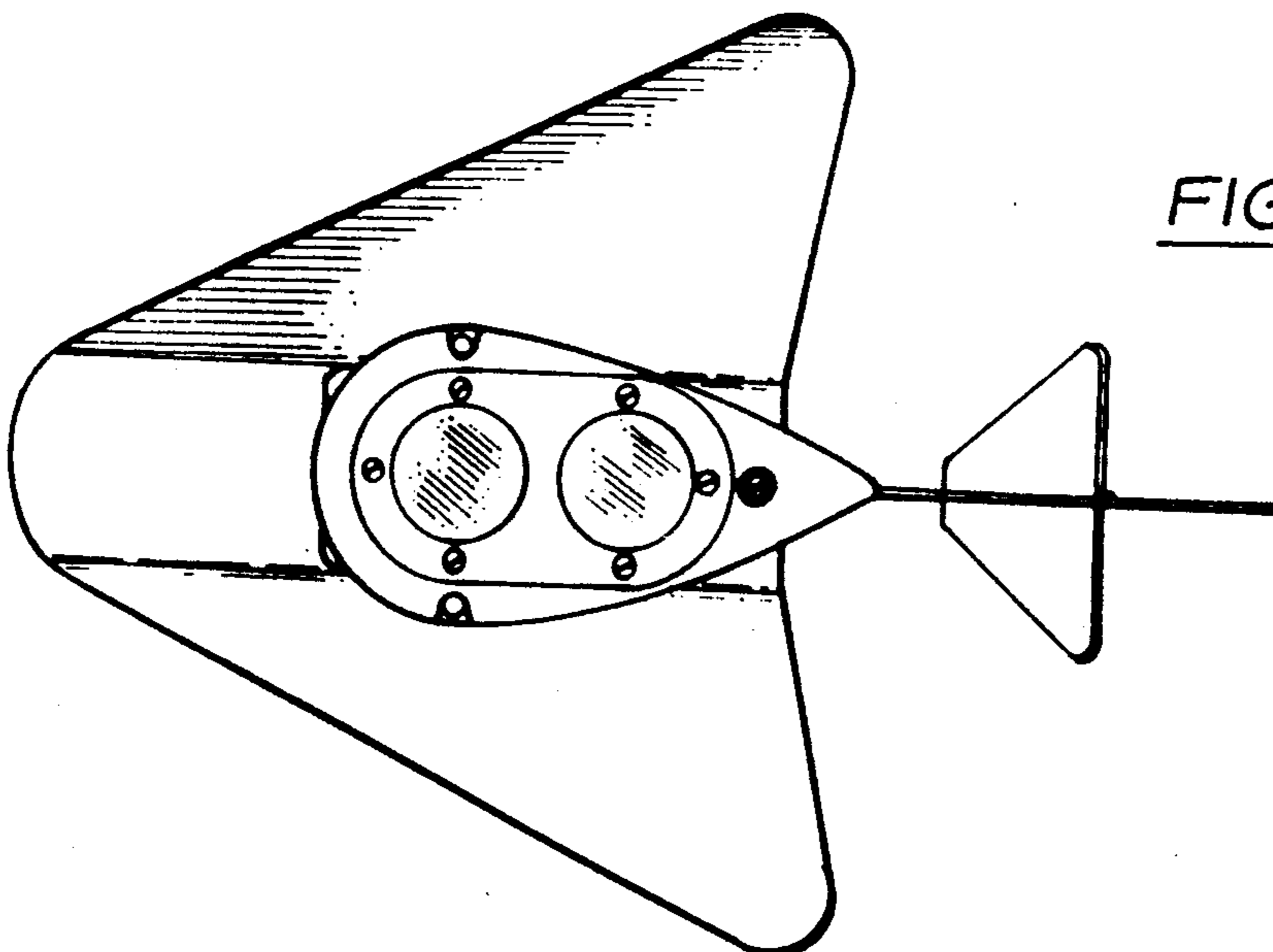


FIGURE.2

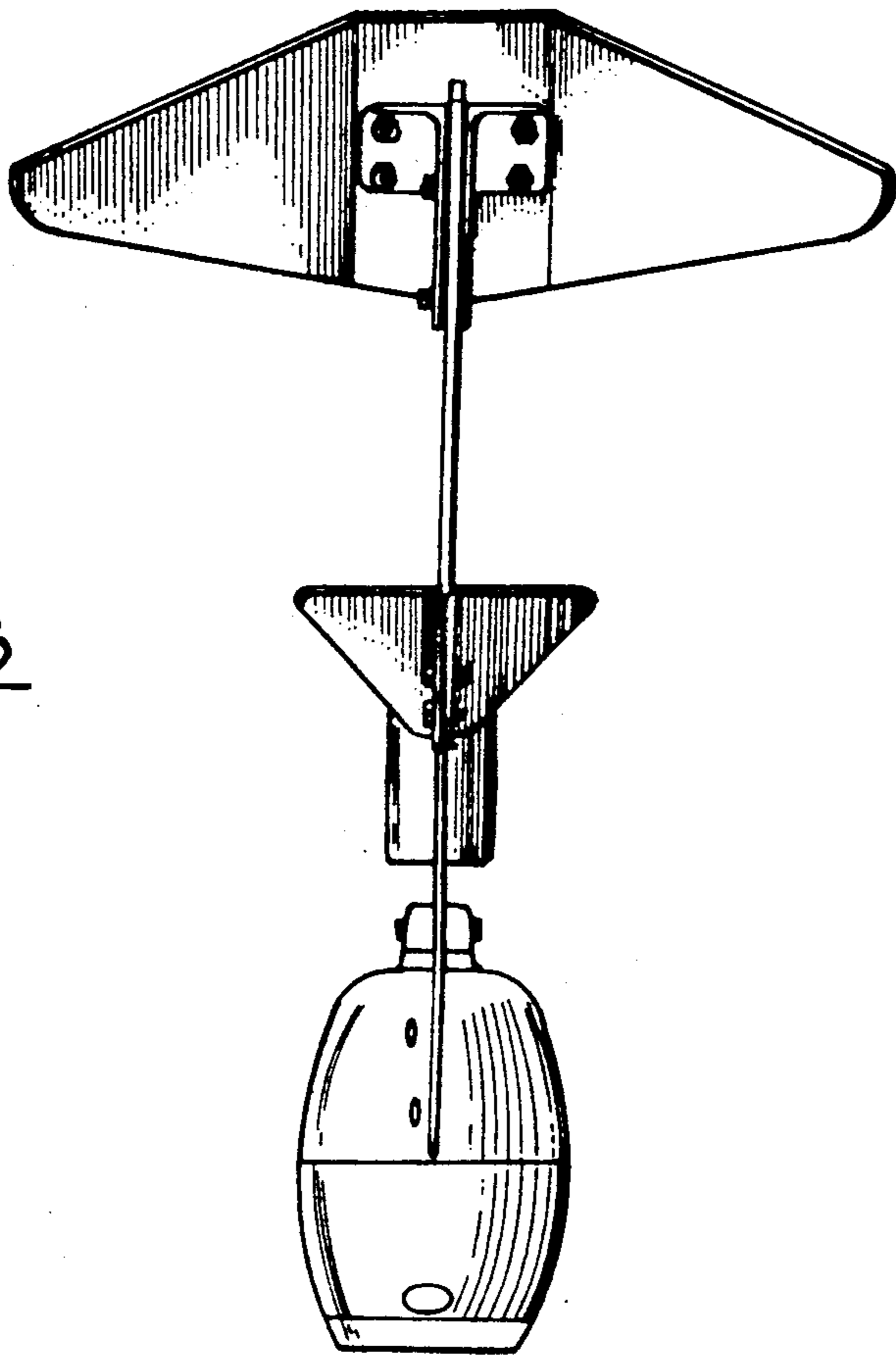


FIGURE. 3

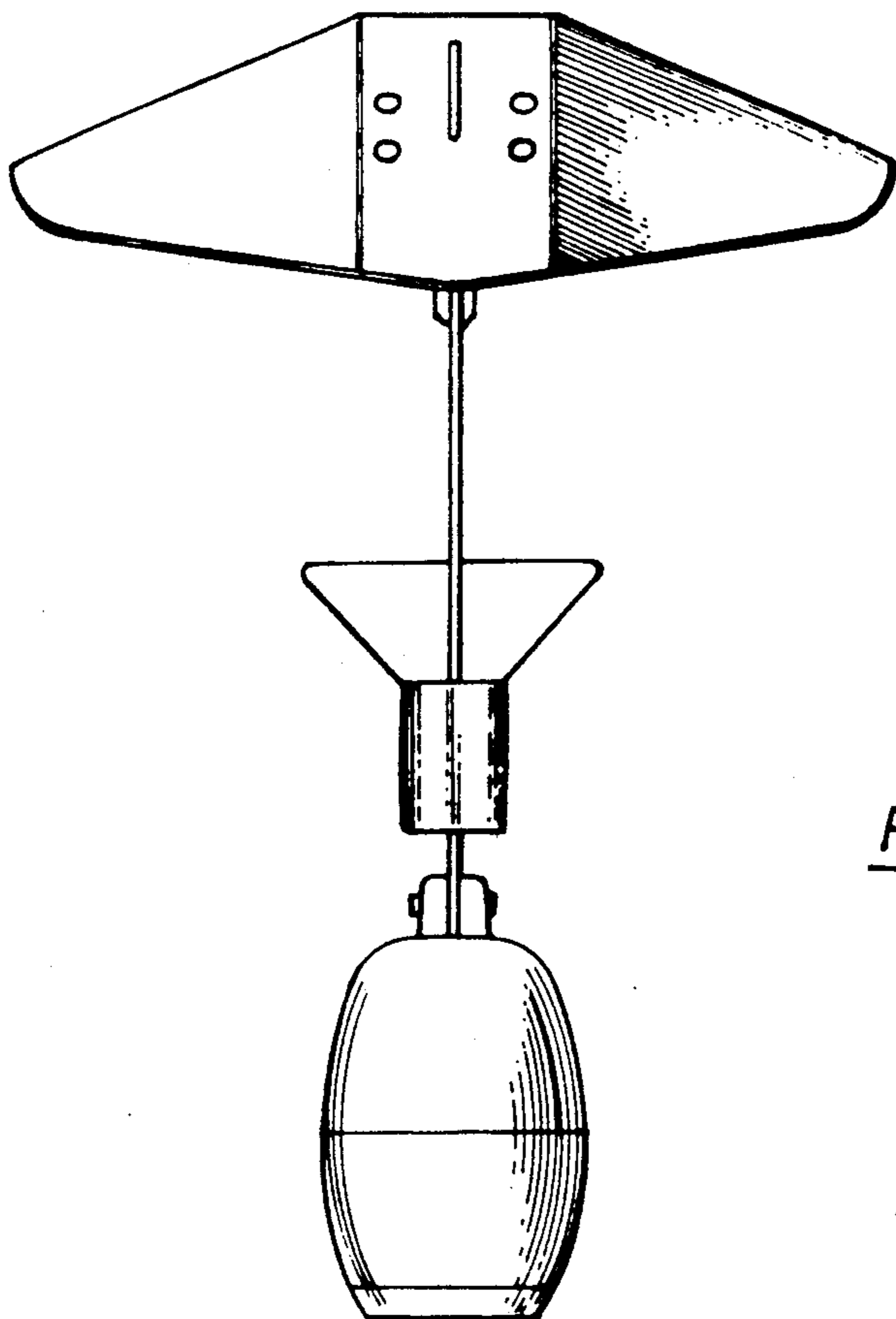


FIGURE. 4