

[54] ROUND BALE WRAPPING MACHINE

[75] Inventor: Michael D. Van Mill, Shell Rock, Iowa

[73] Assignee: Unverferth Manufacturing Co., Inc., Kalida, Ohio

[**] Term: 14 Years

[21] Appl. No.: 301,256

[22] Filed: Jan. 23, 1989

[52] U.S. Cl. D15/10; D15/27; D15/28

[58] Field of Search D15/10, 11, 12, 27, D15/28, 145; 53/211, 587, 588; 56/343

[56] References Cited

U.S. PATENT DOCUMENTS

D. 242,572	11/1976	Grist	D15/27
3,756,003	9/1973	Divine	56/344
3,979,077	9/1976	Dalman	241/101.7
4,054,018	10/1977	Neukom	53/124 B
4,337,805	7/1982	Johnson et al.	141/71
4,343,132	8/1982	Lawless, Jr.	53/399
4,409,776	10/1983	Usui	53/399
4,484,606	11/1984	Kosters	141/114
4,567,820	2/1986	Munsell	100/65
4,594,836	6/1986	Good	53/459
4,606,172	8/1986	Miller	53/399

4,648,769	3/1987	Stirling	414/705
4,662,151	5/1987	Mathes et al.	53/587
4,672,794	6/1987	Good	53/440
4,821,486	4/1989	Oiestad	53/587
4,827,699	5/1989	Shauman	53/211
4,827,700	5/1989	Rampe et al.	53/211

FOREIGN PATENT DOCUMENTS

2705101 8/1978 Fed. Rep. of Germany .

OTHER PUBLICATIONS

Unverferth Manufacturing Co., Inc., Round-About Universal Hay Tool, 1987, U.S.A.

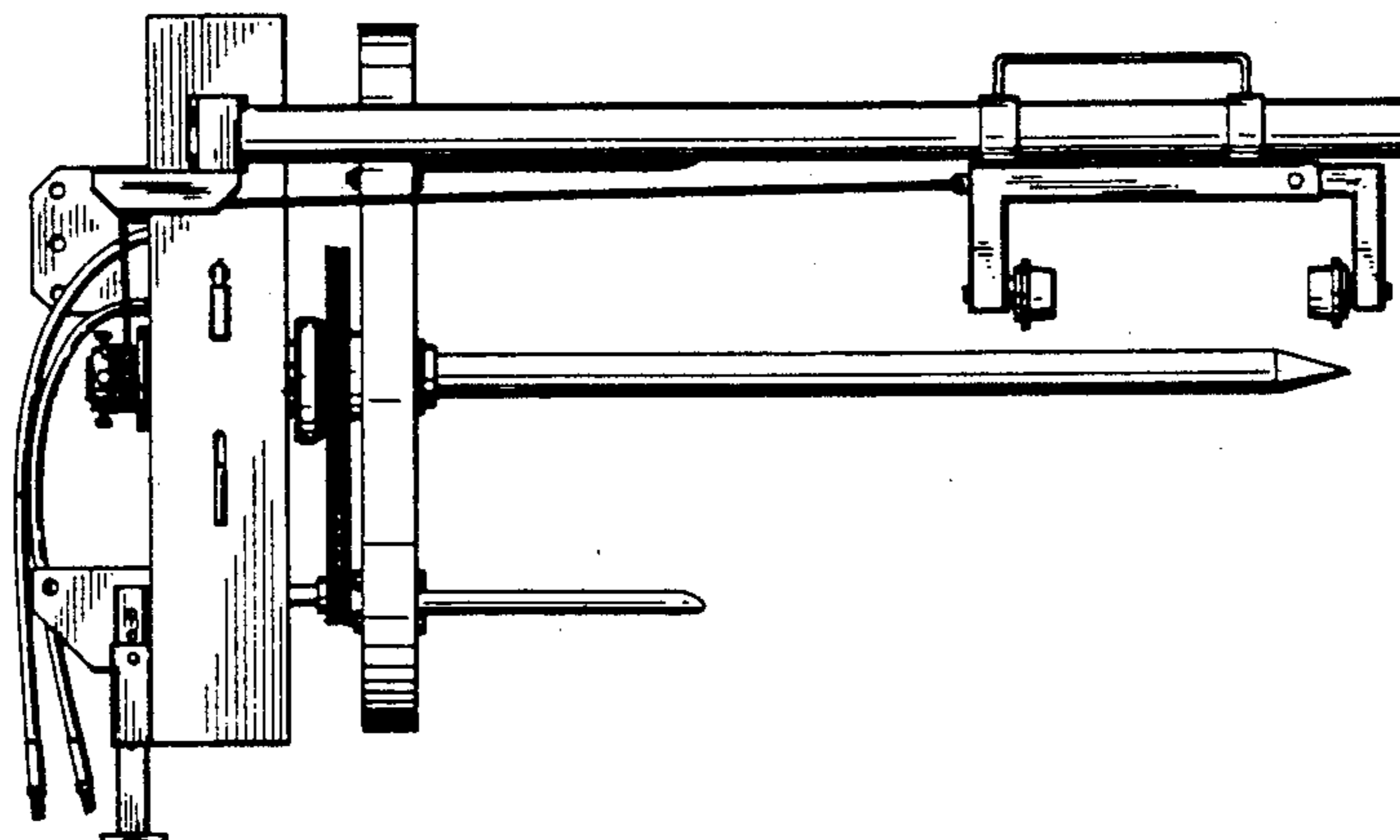
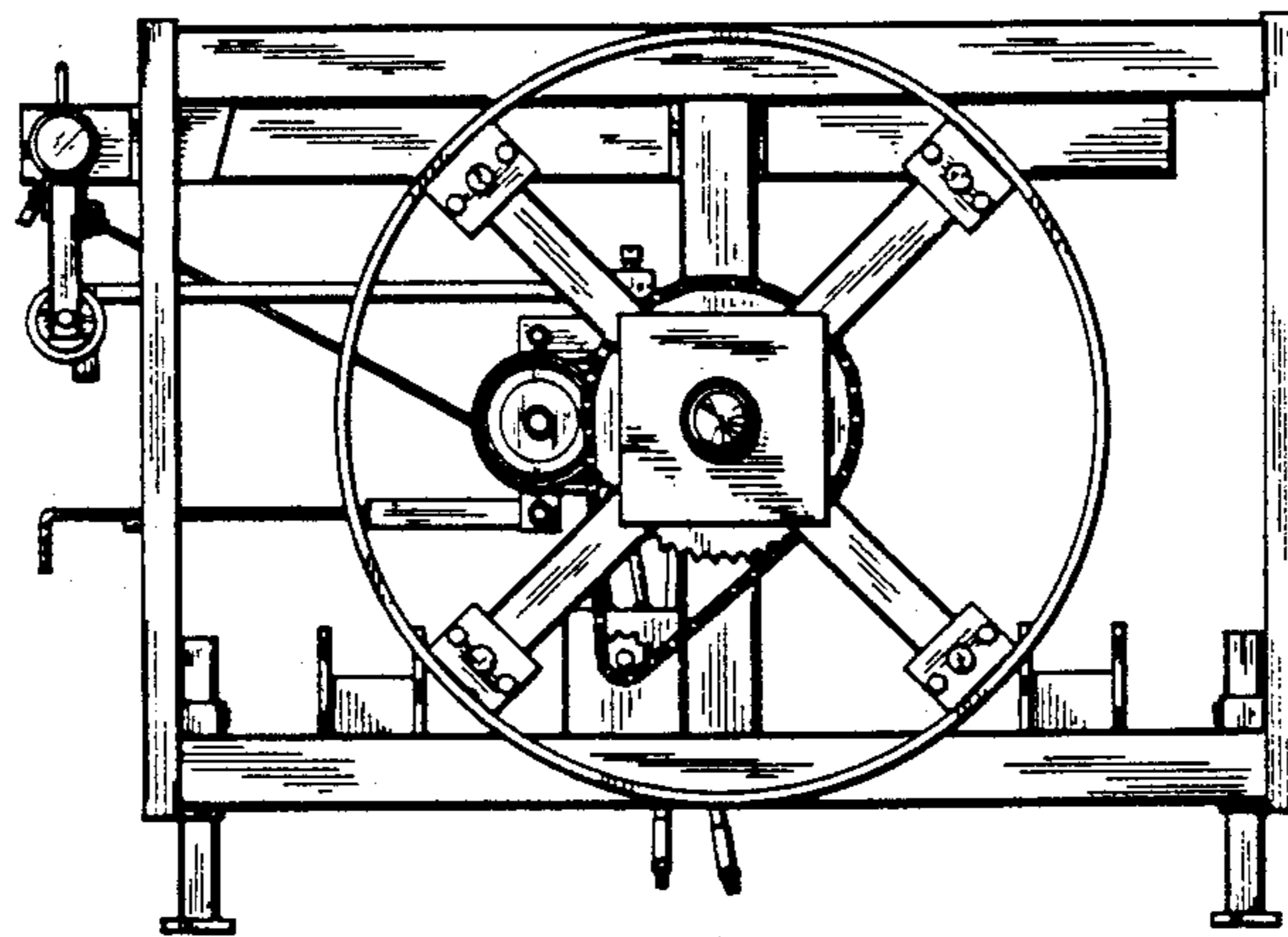
Primary Examiner—B. J. Bullock
Assistant Examiner—Sandra Morris
Attorney, Agent, or Firm—Marshall & Melhorn

[57] CLAIM

The ornamental design for a round bale wrapping machine, as shown and described.

DESCRIPTION

FIG. 1 is a front elevational view of a round bale wrapping machine showing my new design;
FIG. 2 is a left side elevational view thereof;
FIG. 3 is a right side elevational view thereof;
FIG. 4 is a rear elevational view thereof;
FIG. 5 is an enlarged top plan view thereof;
FIG. 6 is an enlarged bottom plan view thereof.



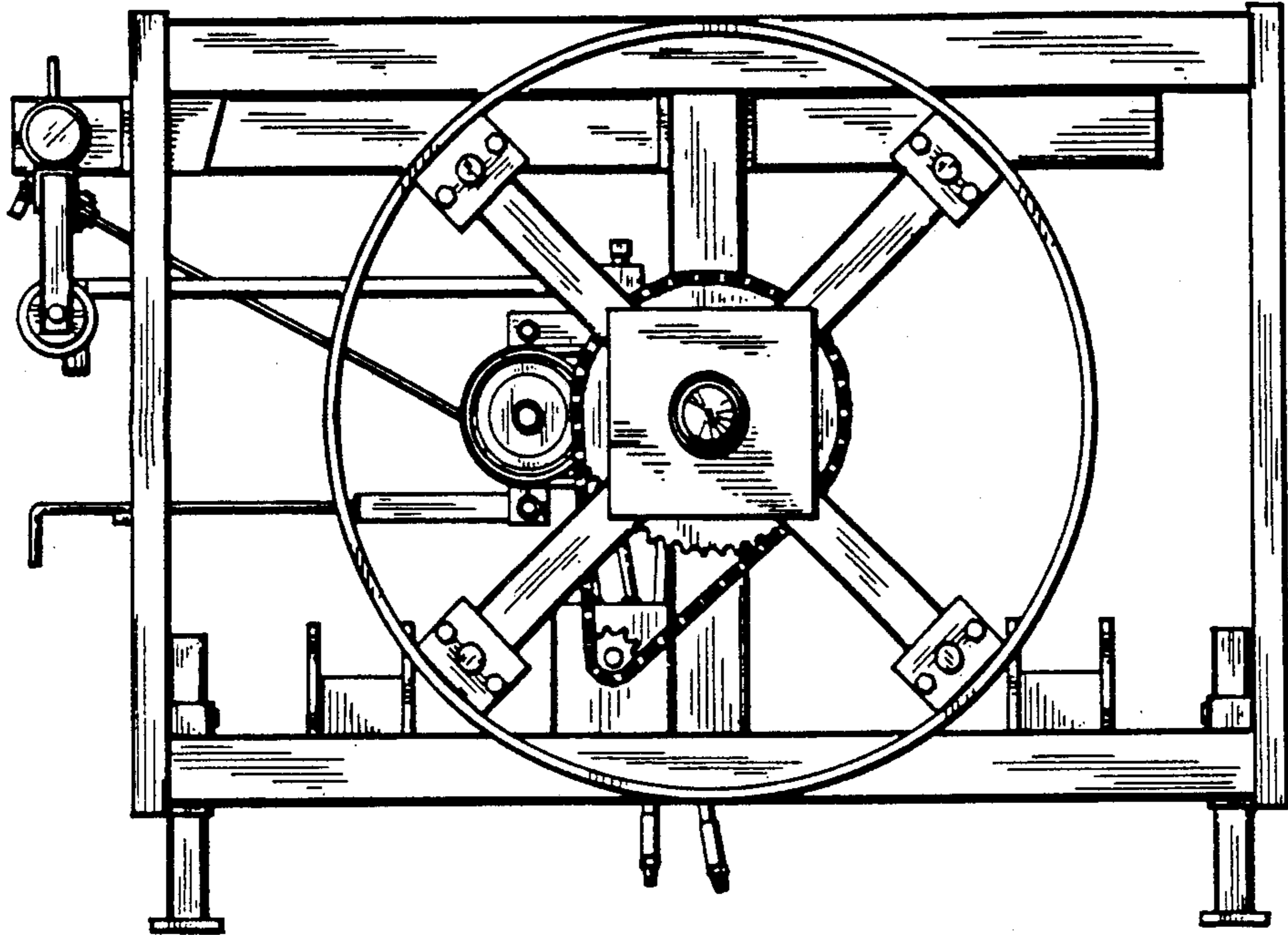


FIG. 1

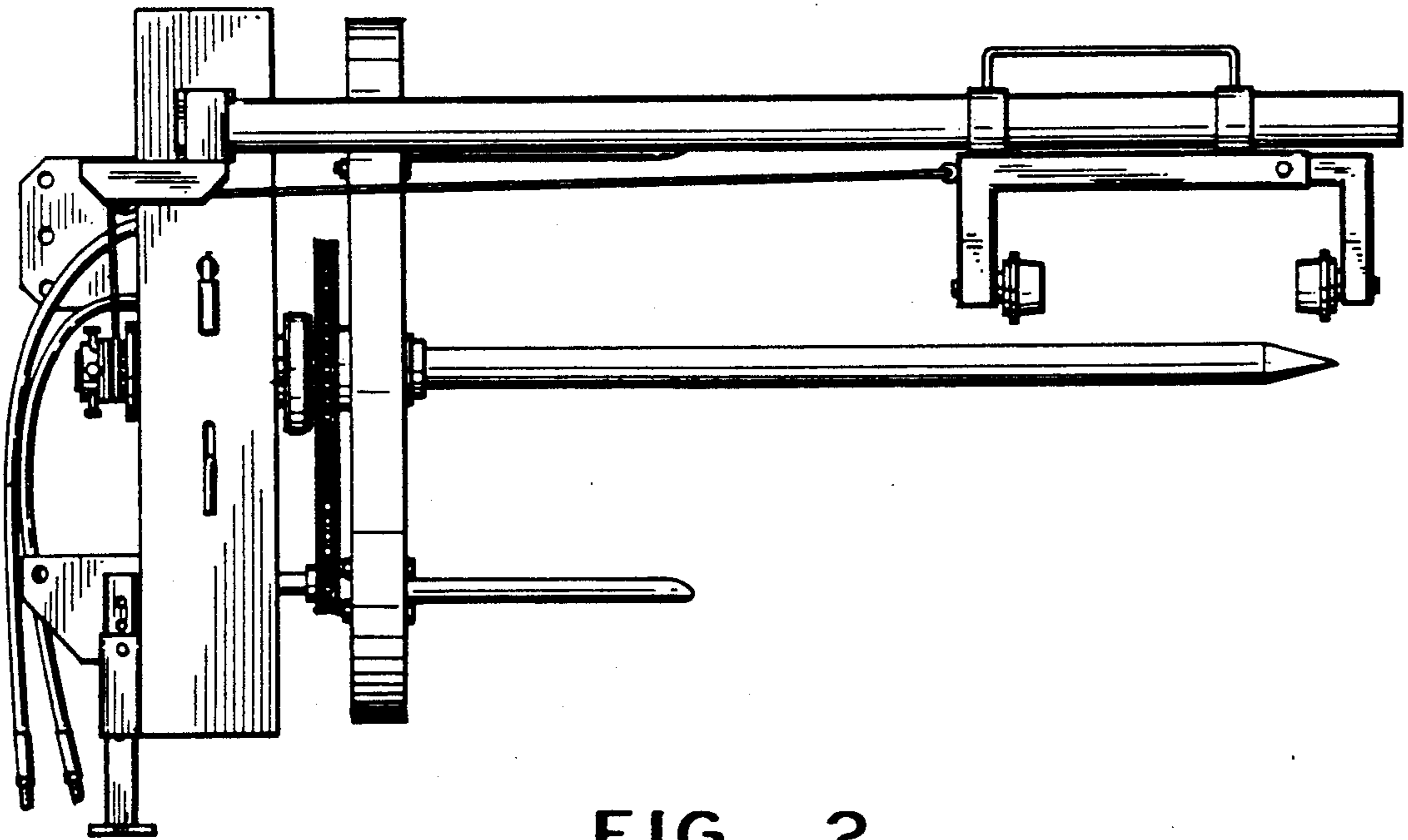


FIG. 2

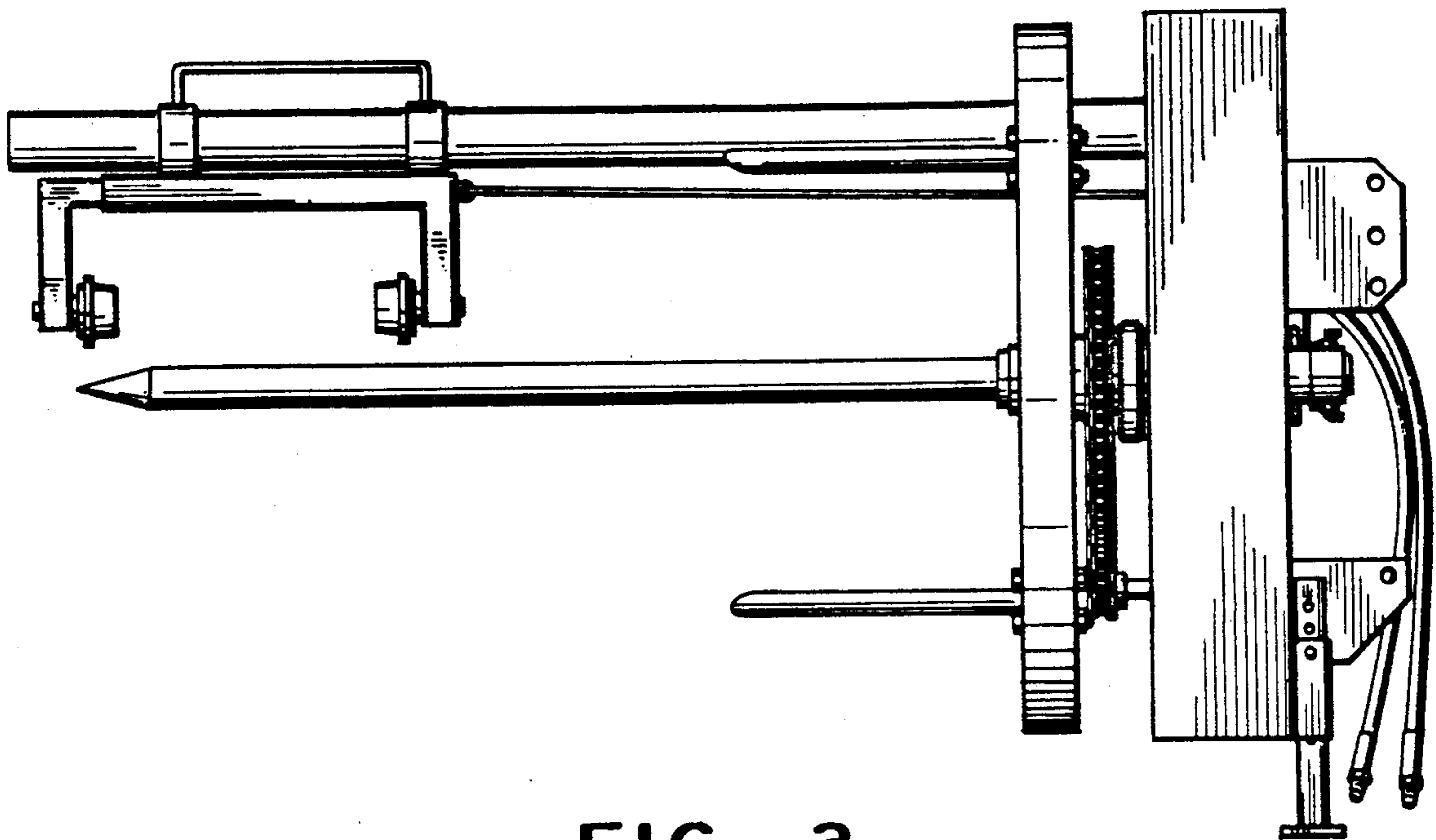


FIG. 3

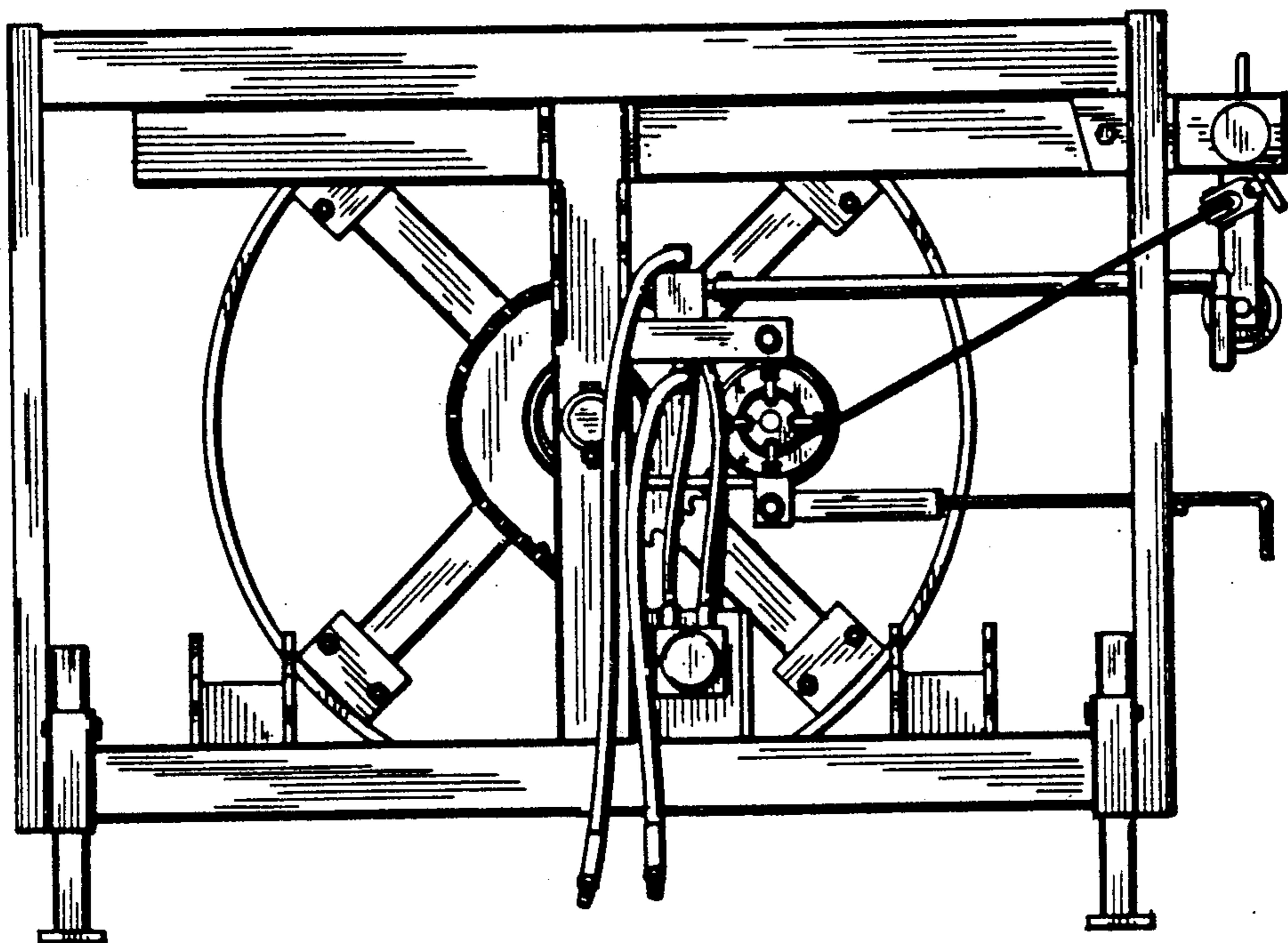


FIG. 4

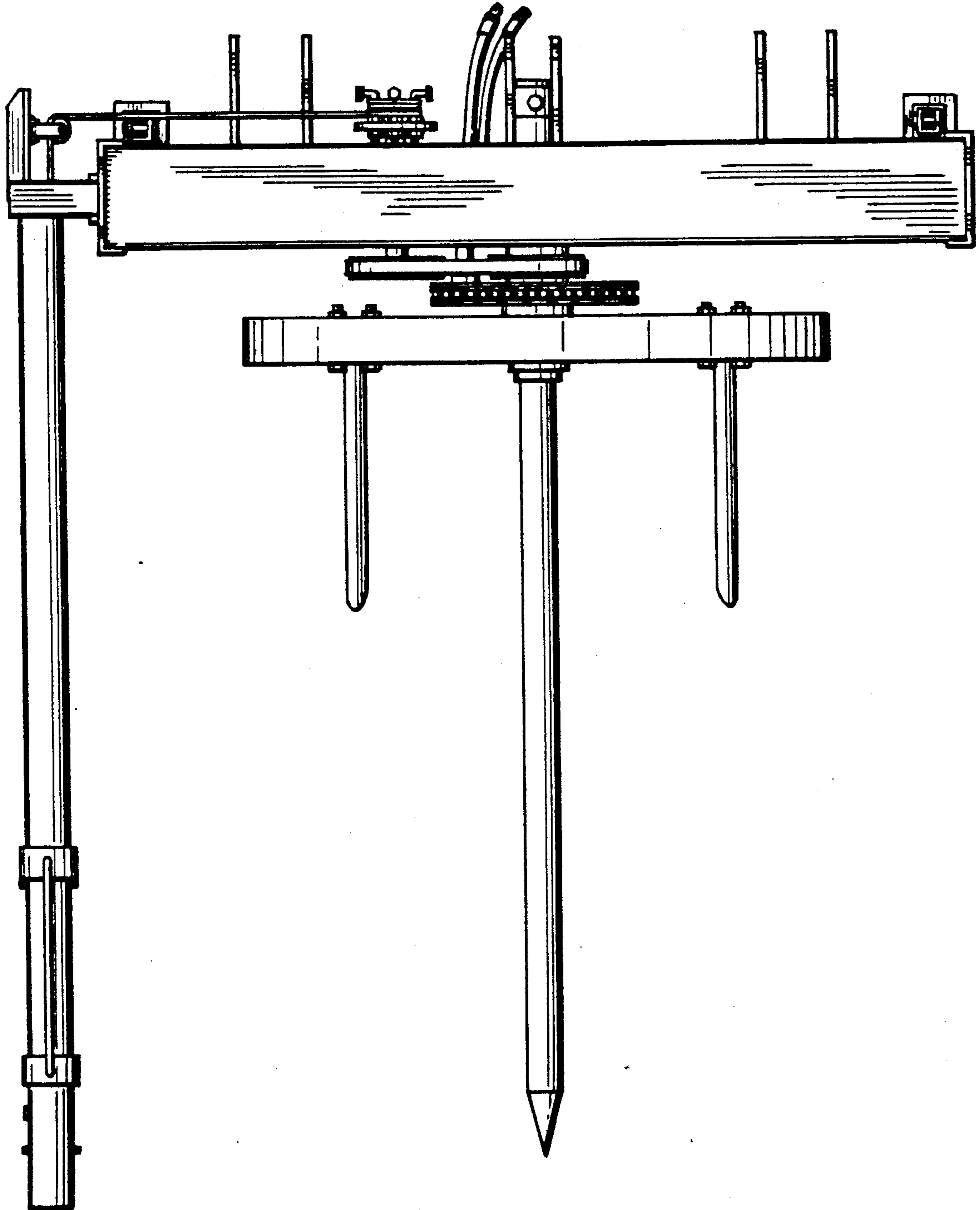


FIG. 5

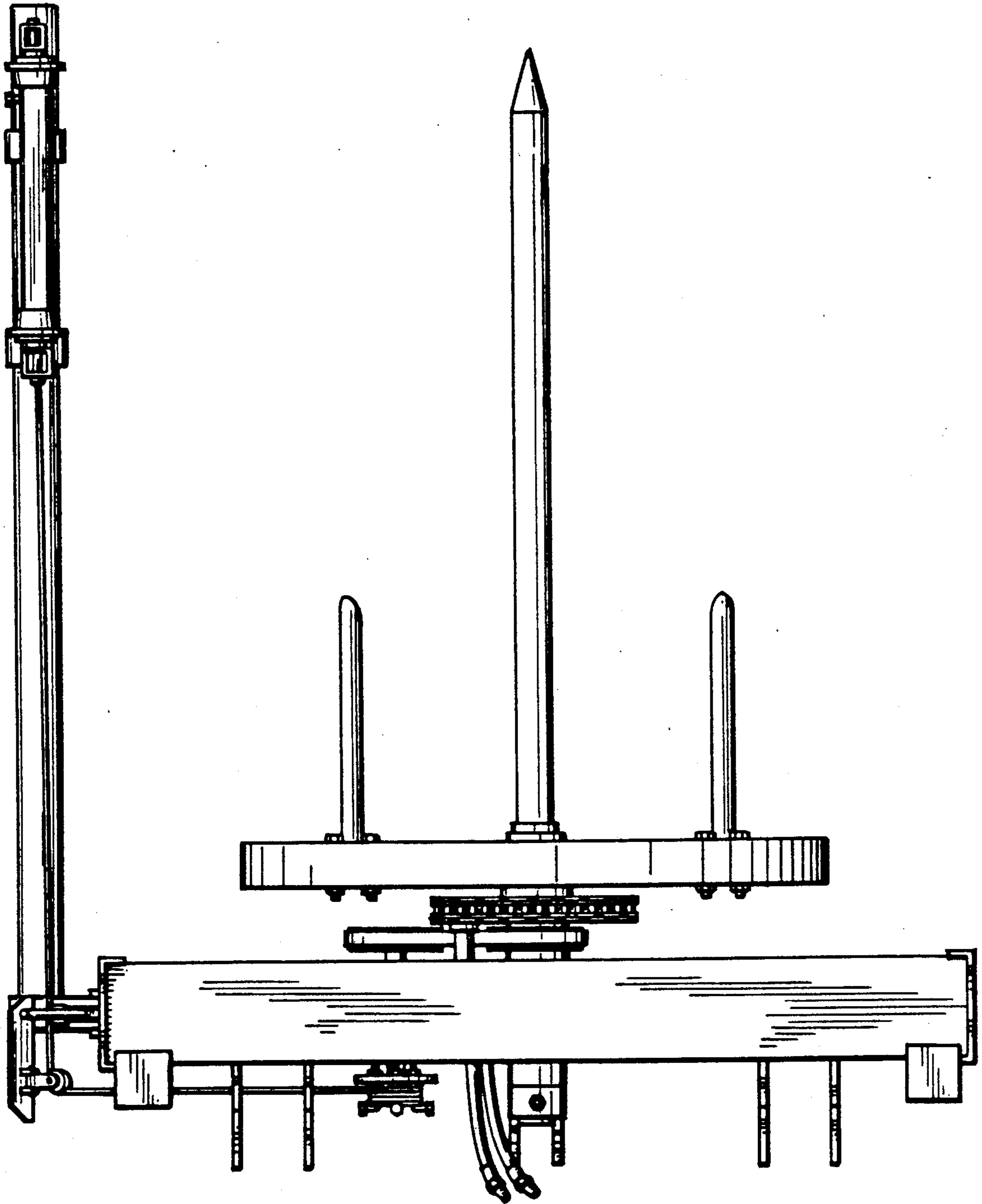


FIG. 6