

[54] **CRT DISPLAY TERMINAL**

[75] **Inventor: Yong H. Kim, Kyungki-do, Rep. of Korea**

[73] **Assignee: Gold Star Co., Ltd., Seoul, Rep. of Korea**

[\*\*] **Term: 14 Years**

[21] **Appl. No.: 364,182**

[22] **Filed: Jun. 9, 1989**

[30] **Foreign Application Priority Data**

Dec. 9, 1988 [KR] Rep. of Korea ..... 16686/1988[U]

[52] **U.S. Cl. .... D14/113**

[58] **Field of Search .... D14/100, 101, 105, 106, D14/113, 124, 125, 126; 340/700, 706, 707, 711, 712; 341/22, 23; 358/248, 249, 254; 364/706-710.14; 248/917-923, 349, 371, 372.1, 422, 649**

[56] **References Cited**

**U.S. PATENT DOCUMENTS**

- D. 310,074 8/1990 Sottsass ..... D14/113
- D. 310,829 9/1990 Suyama et al. .... D14/113
- D. 311,000 10/1990 Bellini ..... D14/113
- D. 311,738 10/1990 Landry et al. .... D14/113

*Primary Examiner*—Wallace R. Burke

*Assistant Examiner*—Freda S. Nunn

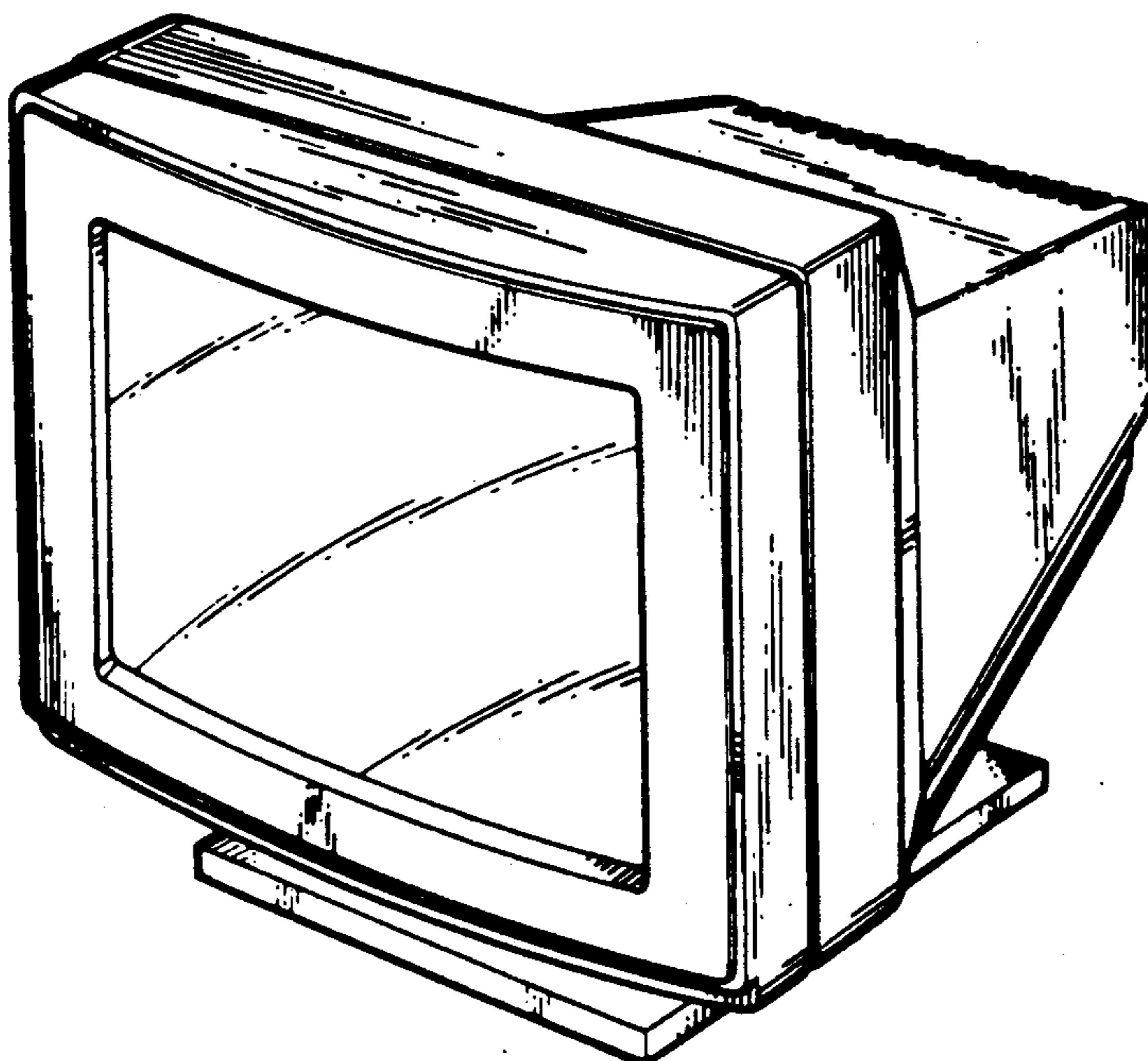
*Attorney, Agent, or Firm*—John P. White

[57] **CLAIM**

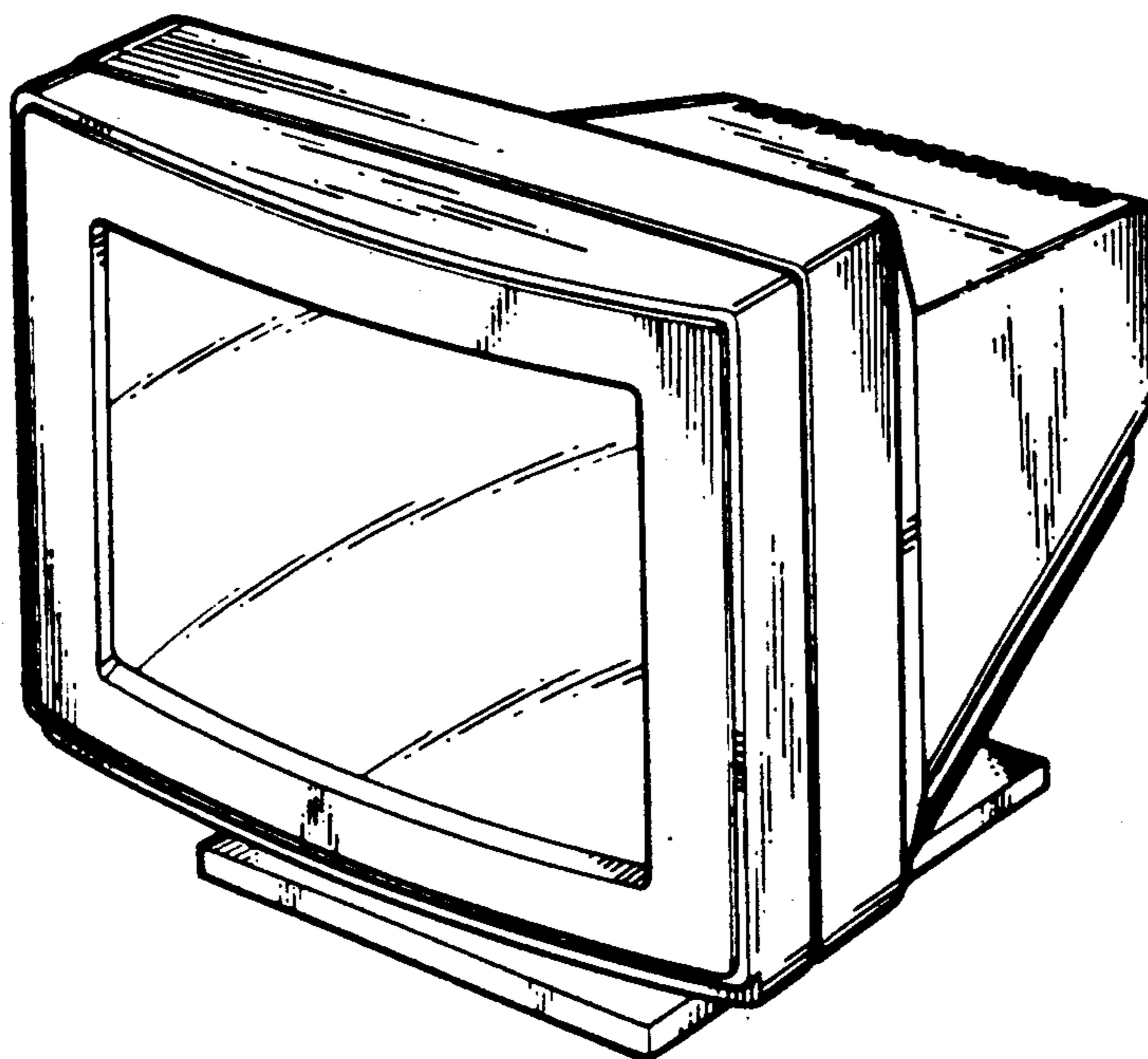
The ornamental design for a CRT display terminal, as shown and described.

**DESCRIPTION**

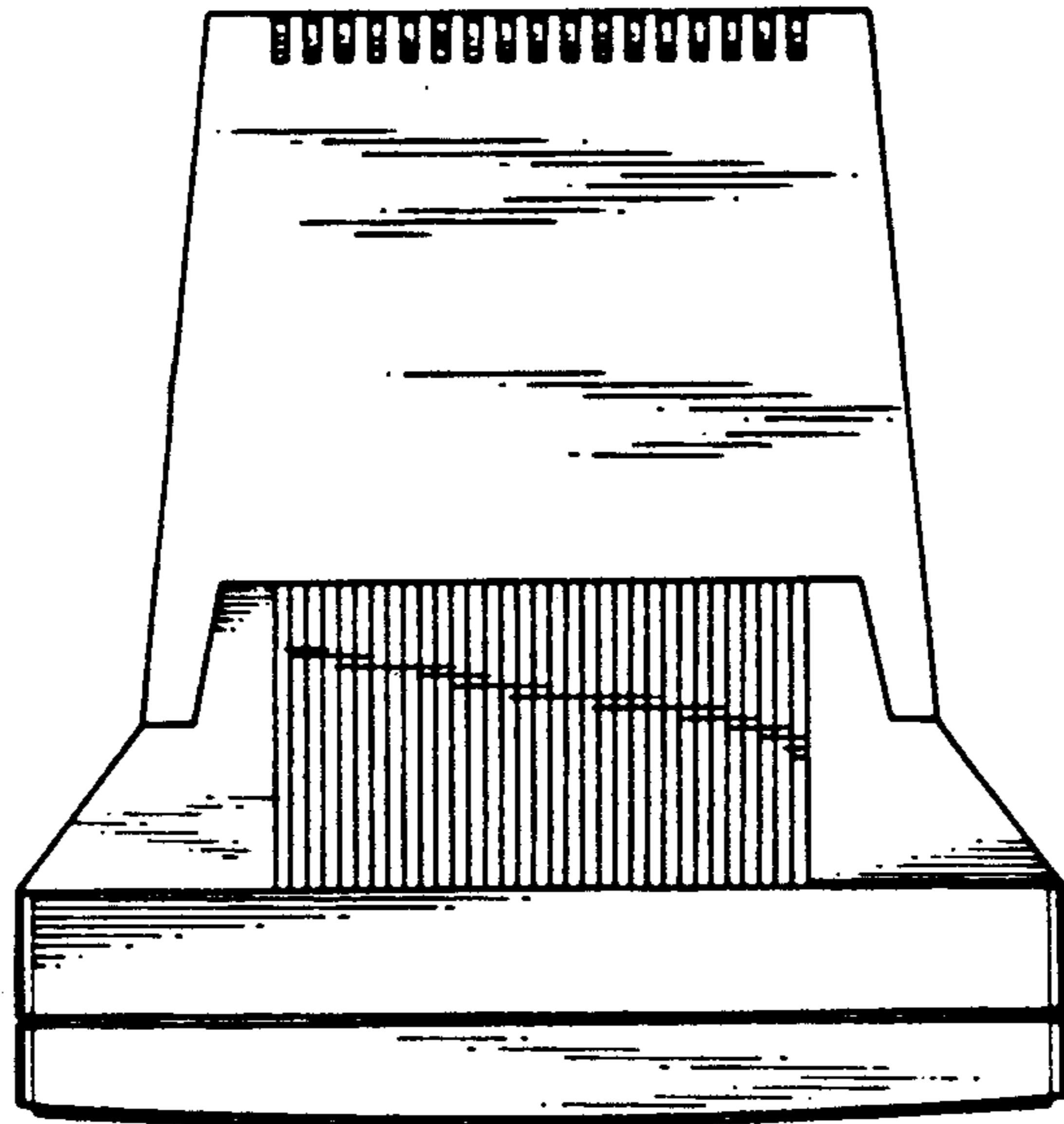
- FIG. 1 is a top, front, right side perspective view of a CRT display terminal showing my new design;
- FIG. 2 is a top plan view thereof;
- FIG. 3 is a front elevational view thereof;
- FIG. 4 is a bottom plan view thereof;
- FIG. 5 is a rear elevational view thereof;
- FIG. 6 is a right side elevational view thereof;
- FIG. 7 is a left side elevational view thereof.



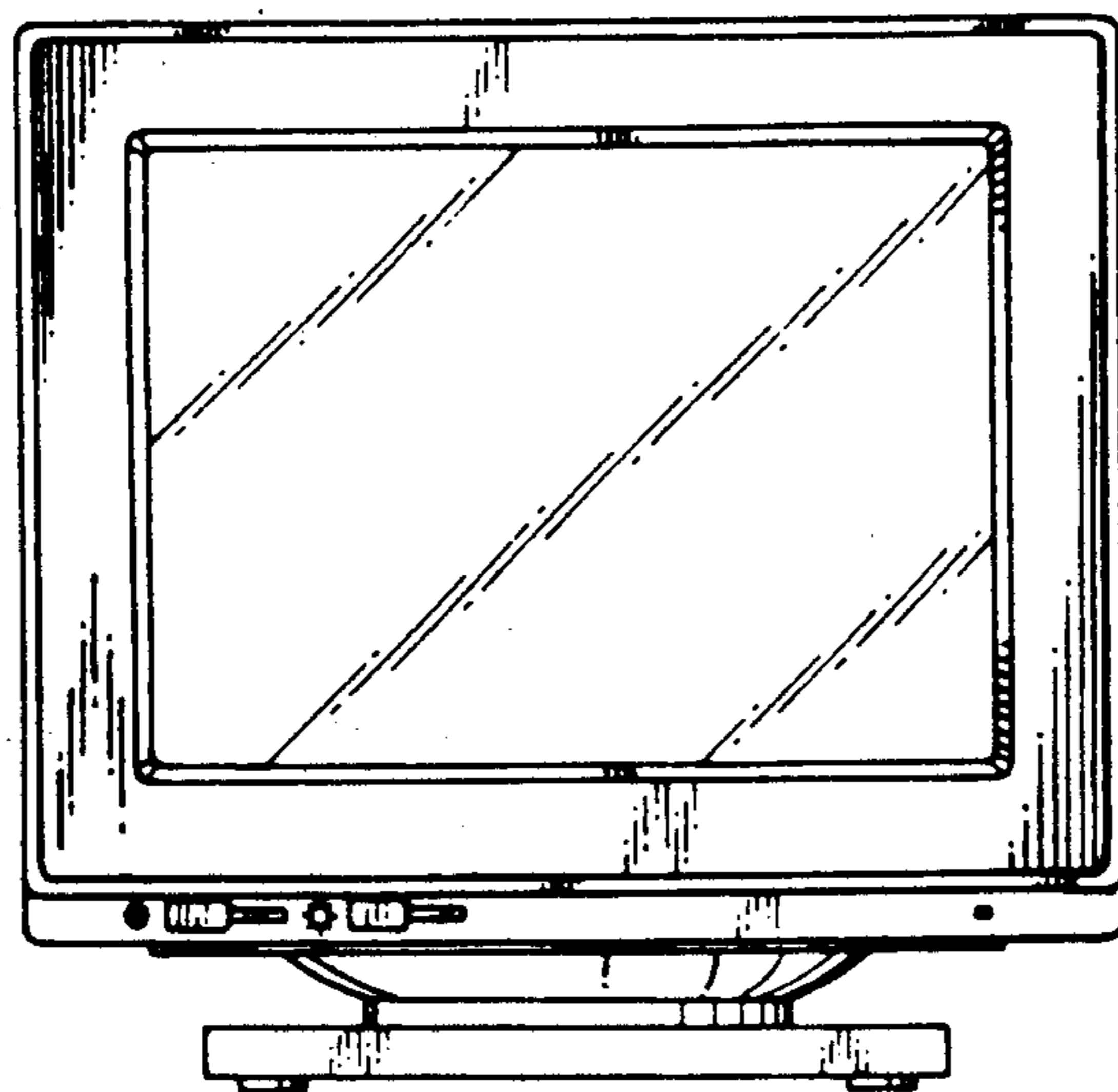
F I G . 1



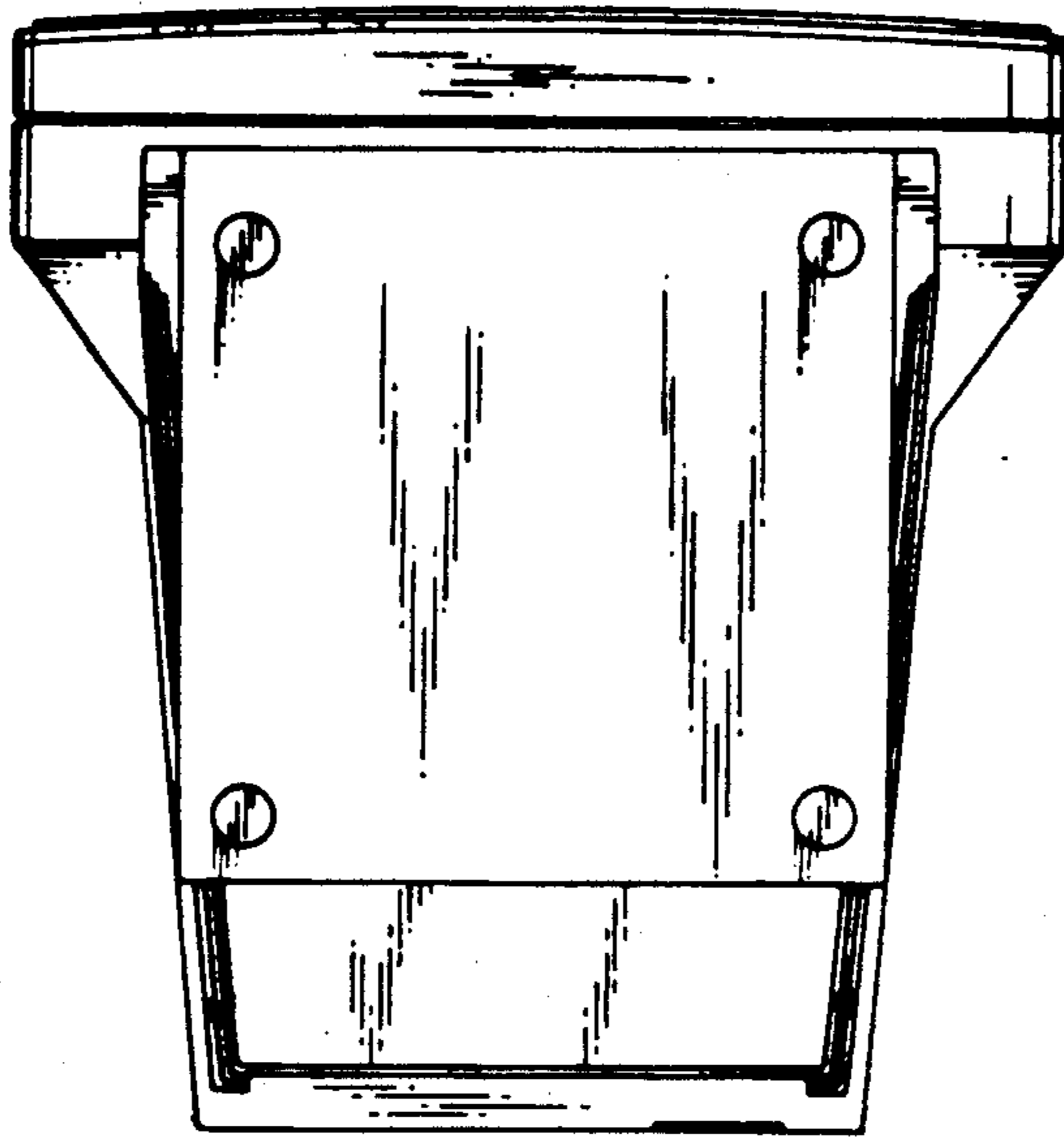
F I G . 2



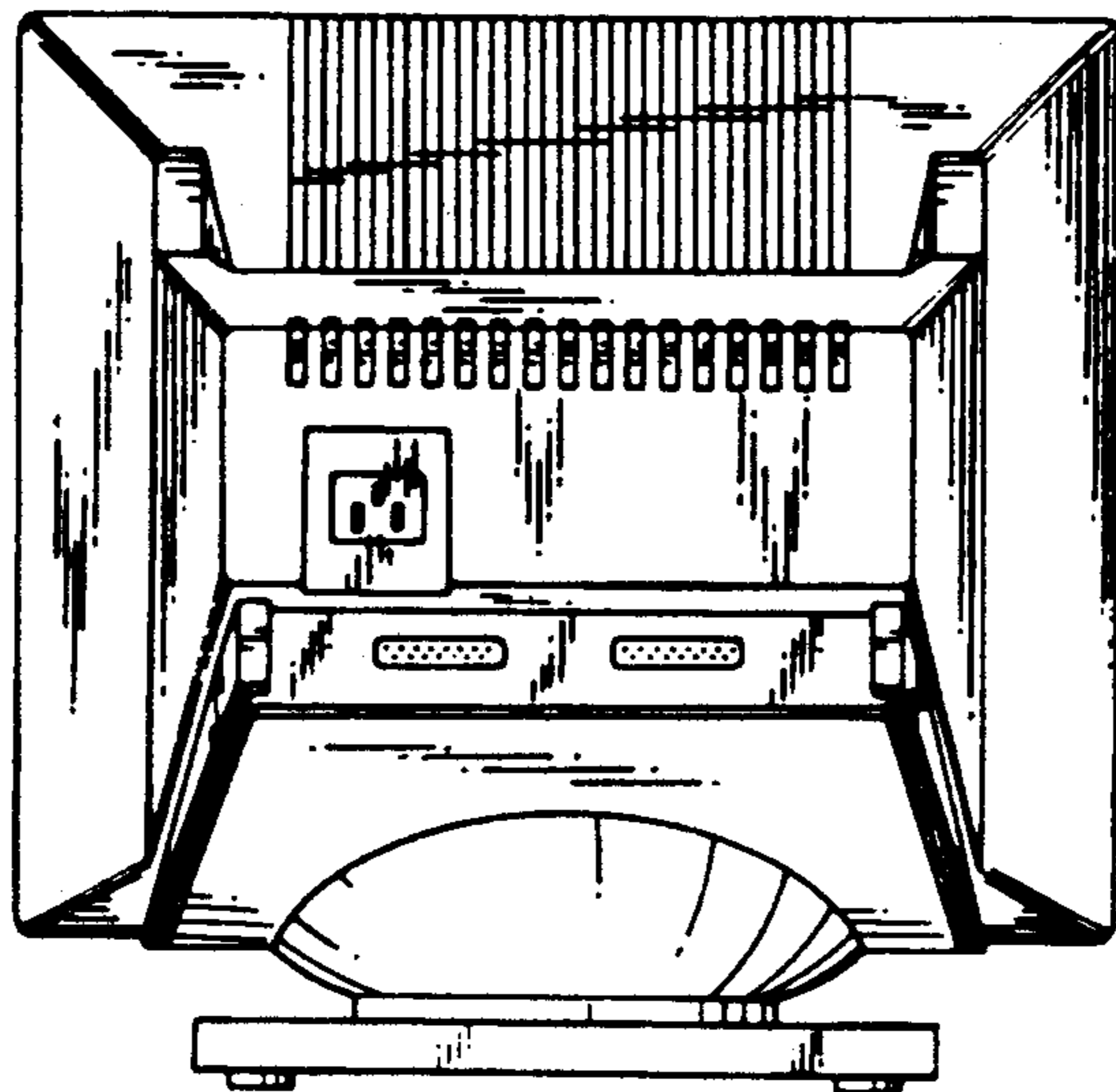
F I G . 3



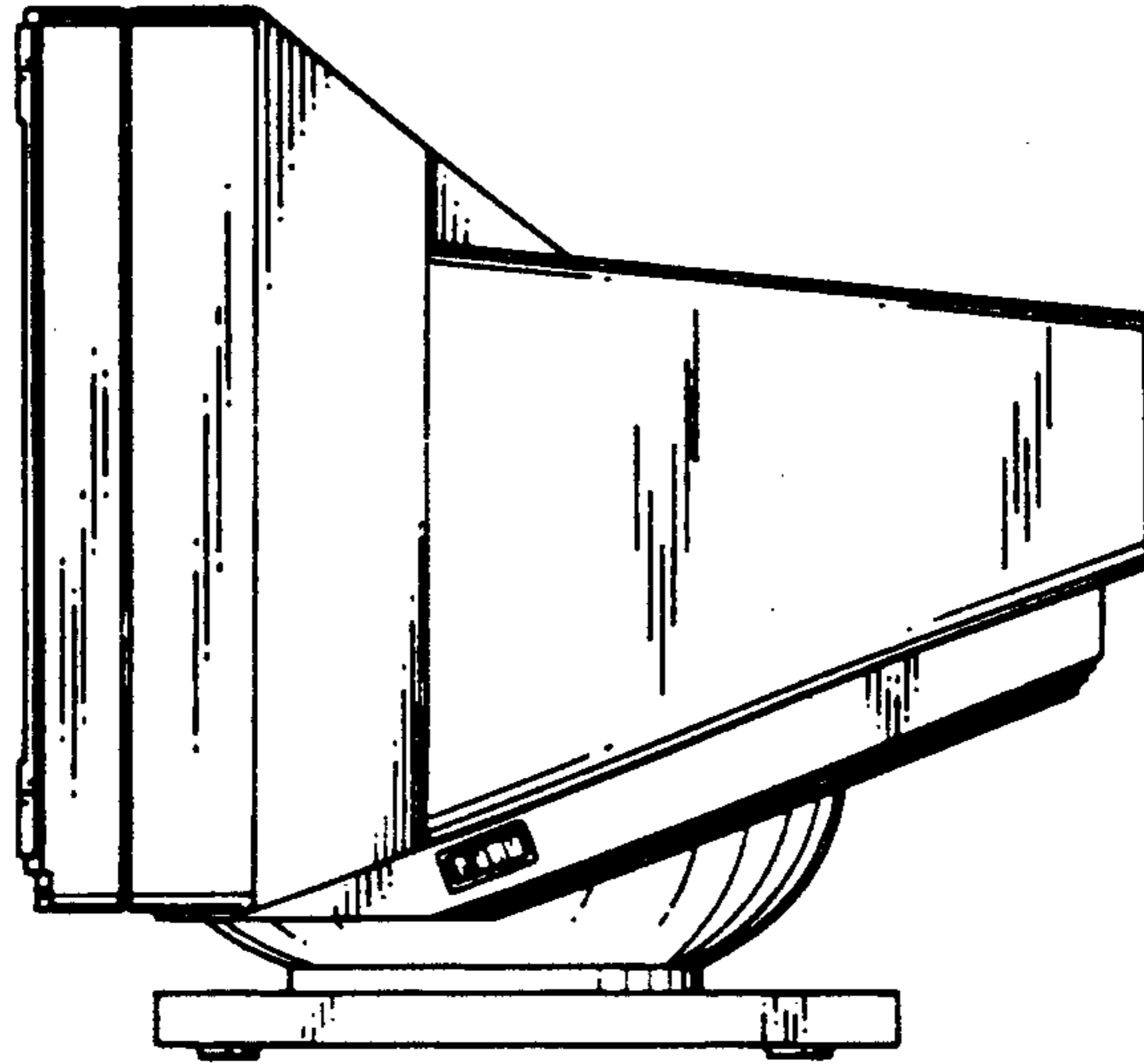
F I G . 4



F I G . 5



F I G . 6



F I G . 7

