

[54] PROTECTOR FOR AN IGNITION PLUG OF A COMBUSTION ENGINE

[75] Inventor: Mitsuyasu Tanaka, Gotenba, Japan

[73] Assignee: Yazaki Corporation, Japan

[**] Term: 14 Years

[21] Appl. No.: 299,955

[22] Filed: Dec. 12, 1988

[52] U.S. Cl. D13/154; D13/156

[58] Field of Search D13/133, 153, 154, 156; 439/125, 126, 521, 620, 607, 638, 723; 123/143 C, 169 PA, 595, 645, 647

[56] References Cited

U.S. PATENT DOCUMENTS

2,943,139	6/1960	Skunda	439/125 X
3,972,694	2/1974	Brenholts	123/647 X
4,721,474	1/1988	Kanno et al.	439/125
4,947,809	8/1990	Hocking	123/169 PA

FOREIGN PATENT DOCUMENTS

1269219 7/1961 France 439/125

Primary Examiner—Susan J. Lucas

Assistant Examiner—J. Sincavage

Attorney, Agent, or Firm—Jones, Askew & Lundsford

[57] CLAIM

The ornamental design for a protector for an ignition plug of a combustion engine, as shown and described.

DESCRIPTION

FIG. 1 is a perspective view of a protector for an ignition plug of a combustion engine showing my new design;

FIG. 2 is a top plan view thereof;

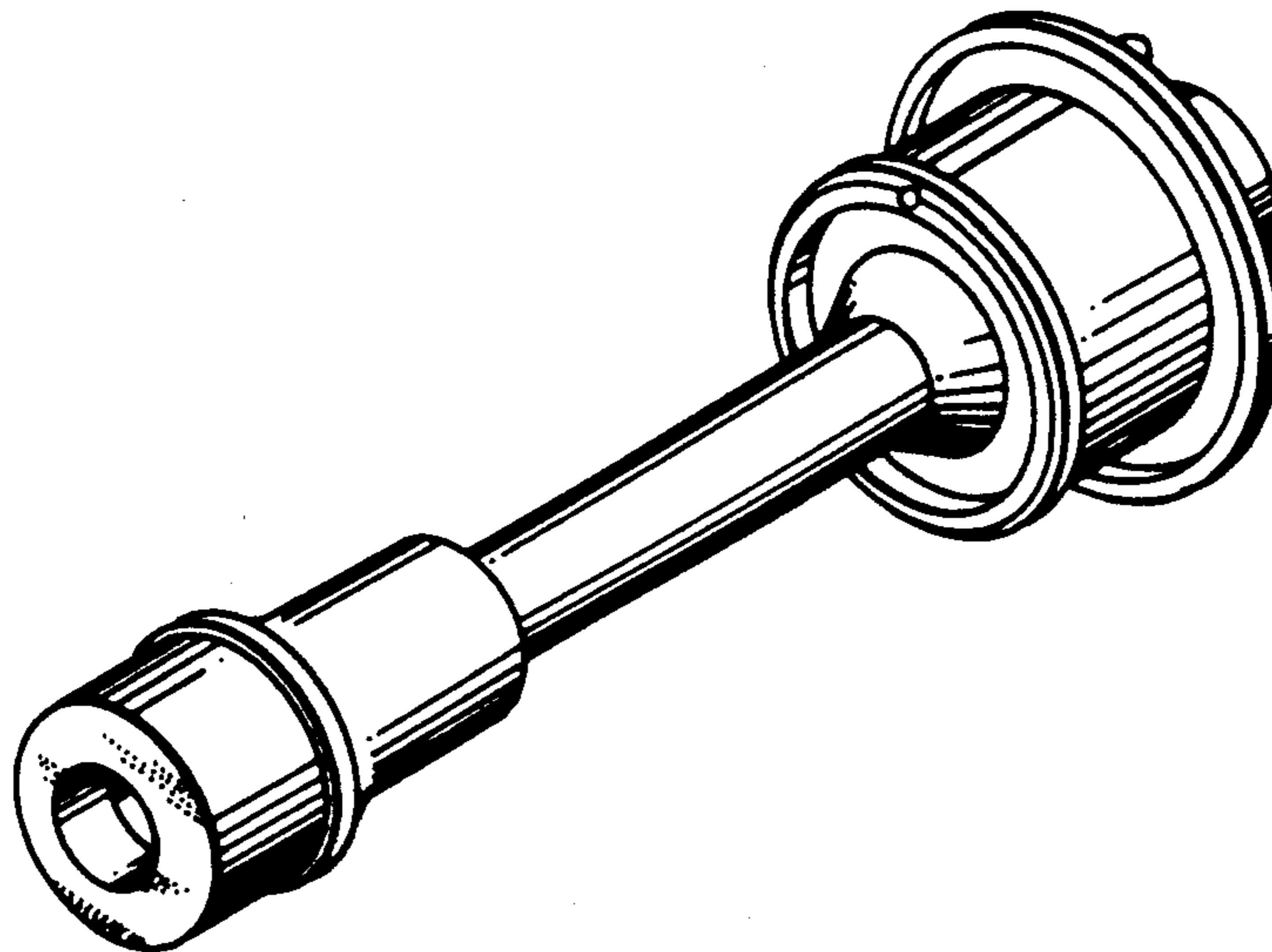
FIG. 3 is a front elevation view thereof, the rear elevation view being a mirror image of the front elevation view;

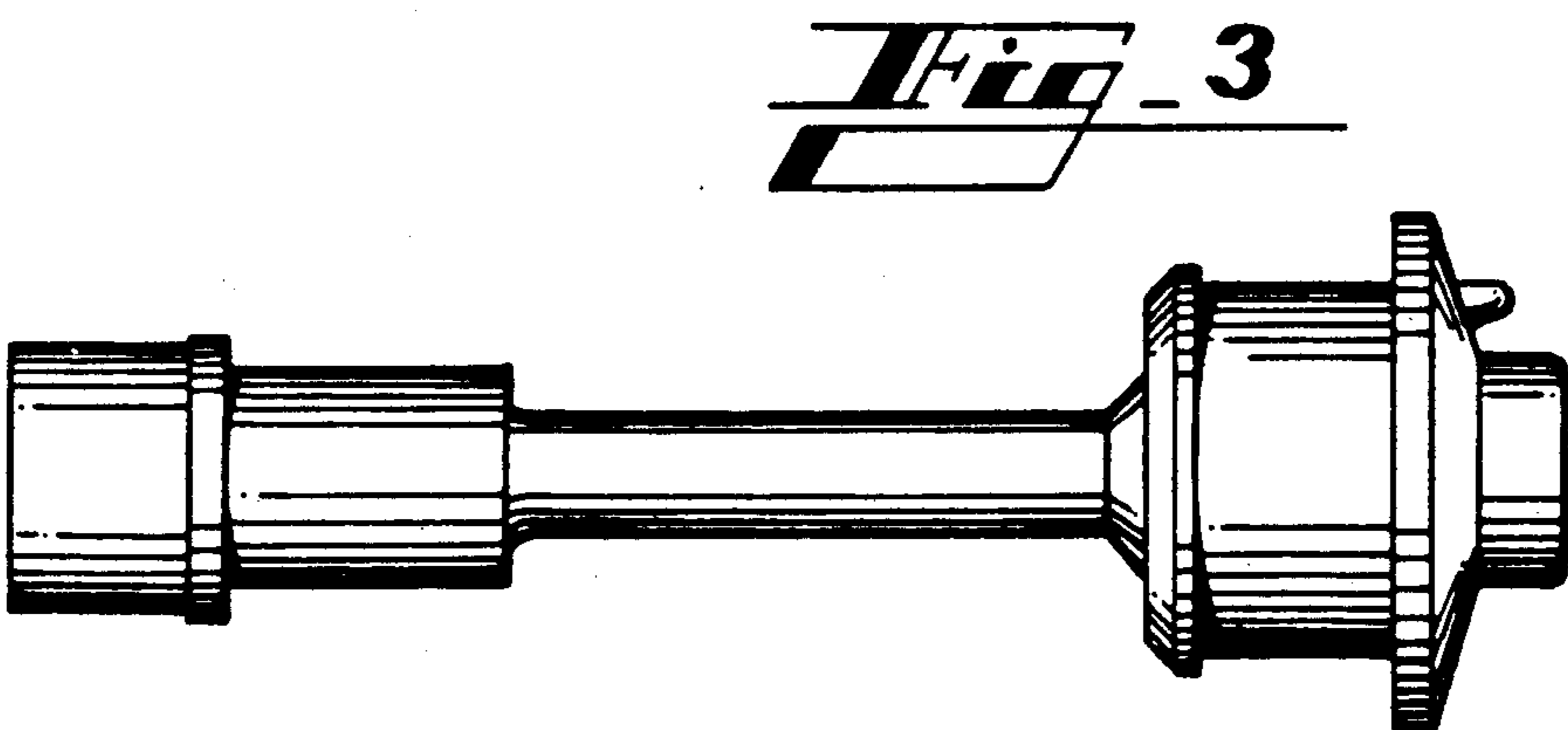
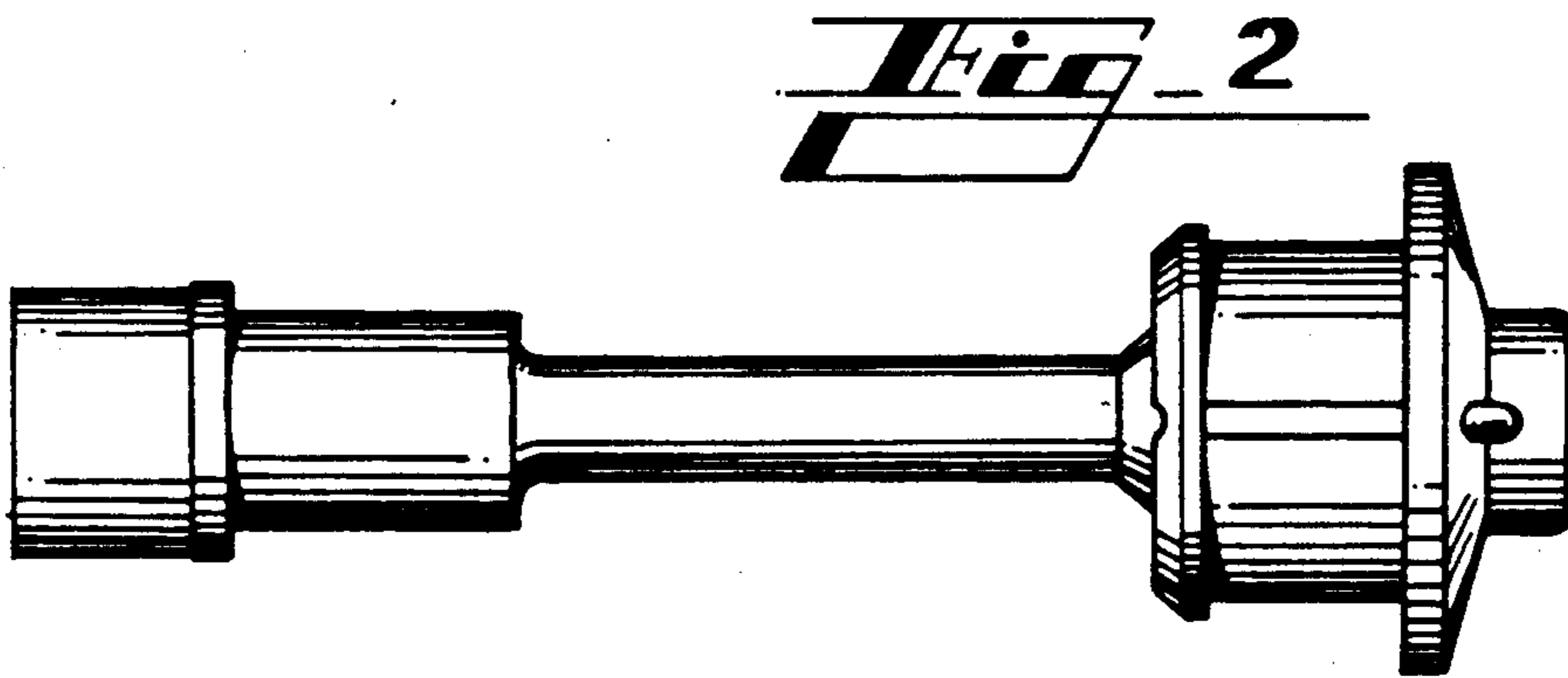
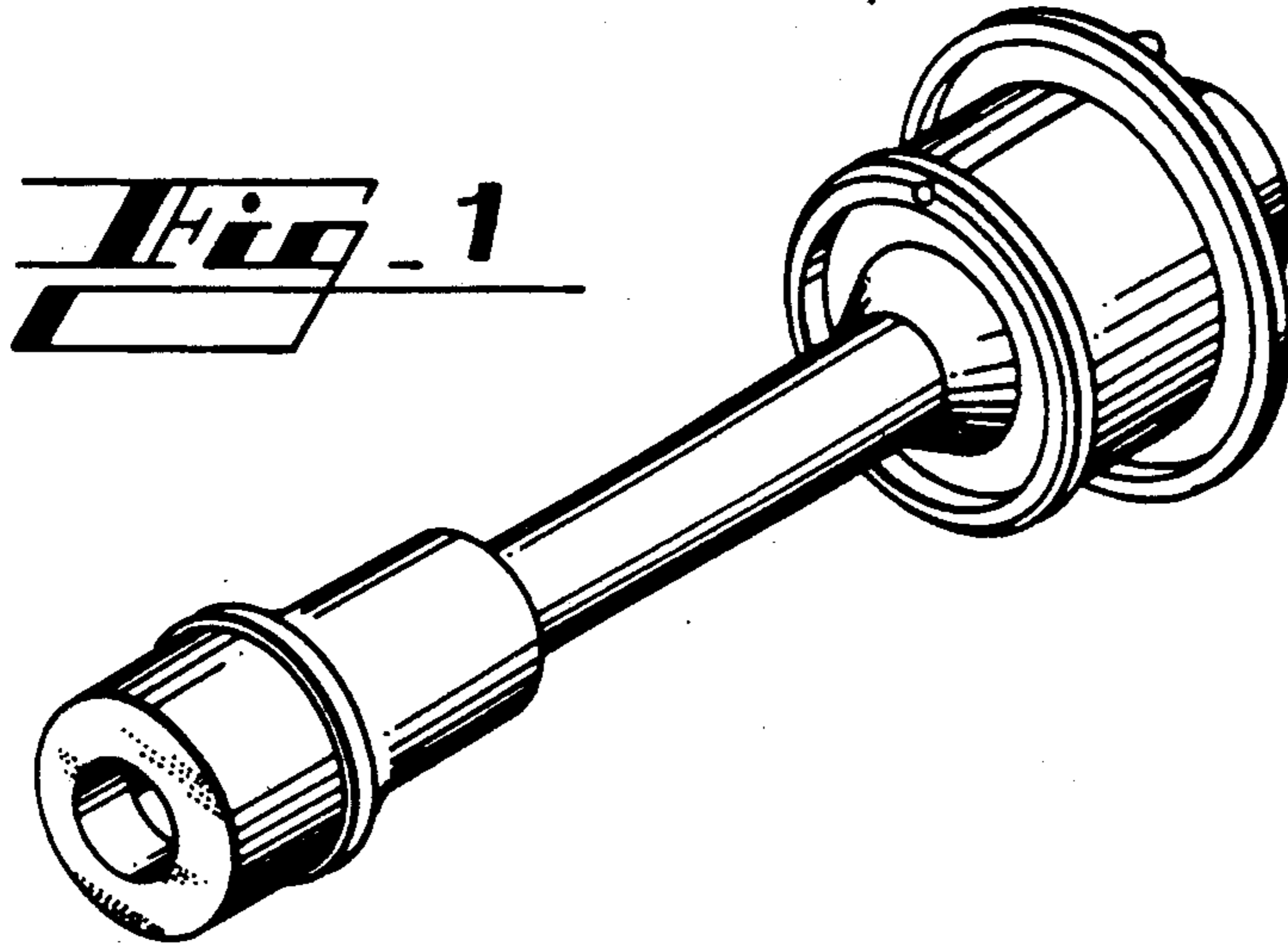
FIG. 4 is a bottom plan view thereof;

FIG. 5 is a left elevation view thereof;

FIG. 6 is a right elevation view thereof;

FIG. 7 is a cross-sectional view taken along line 7—7 of FIG. 5.





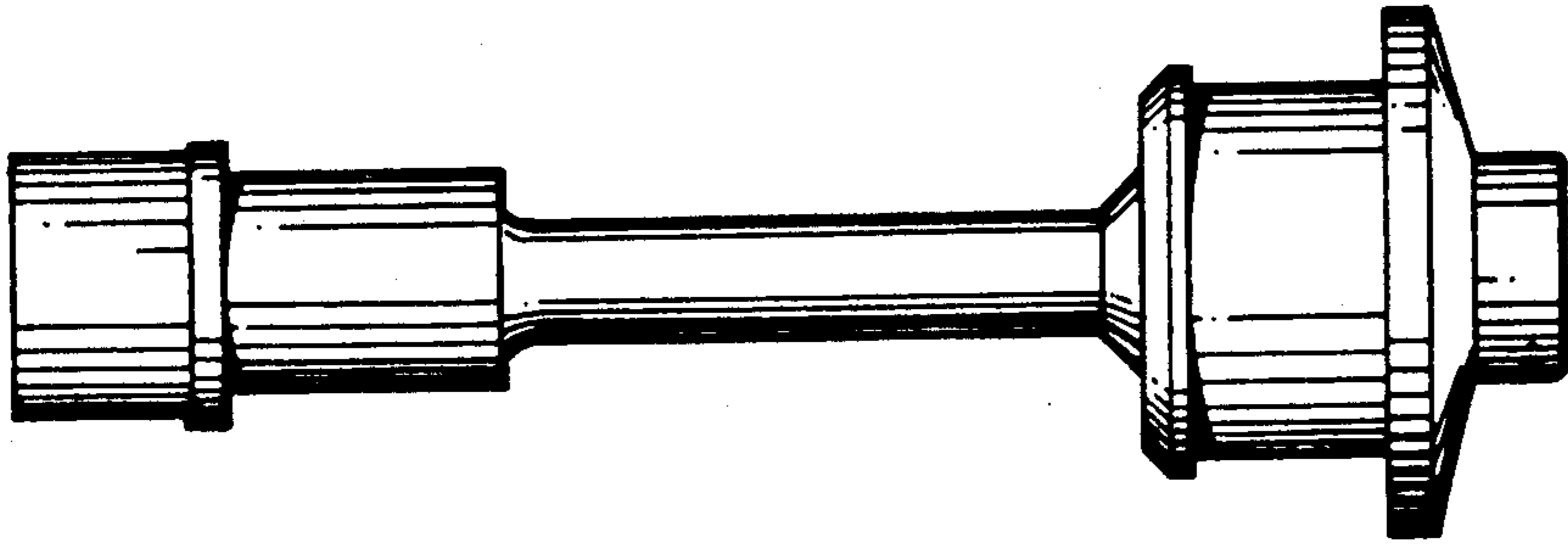


Fig. 4

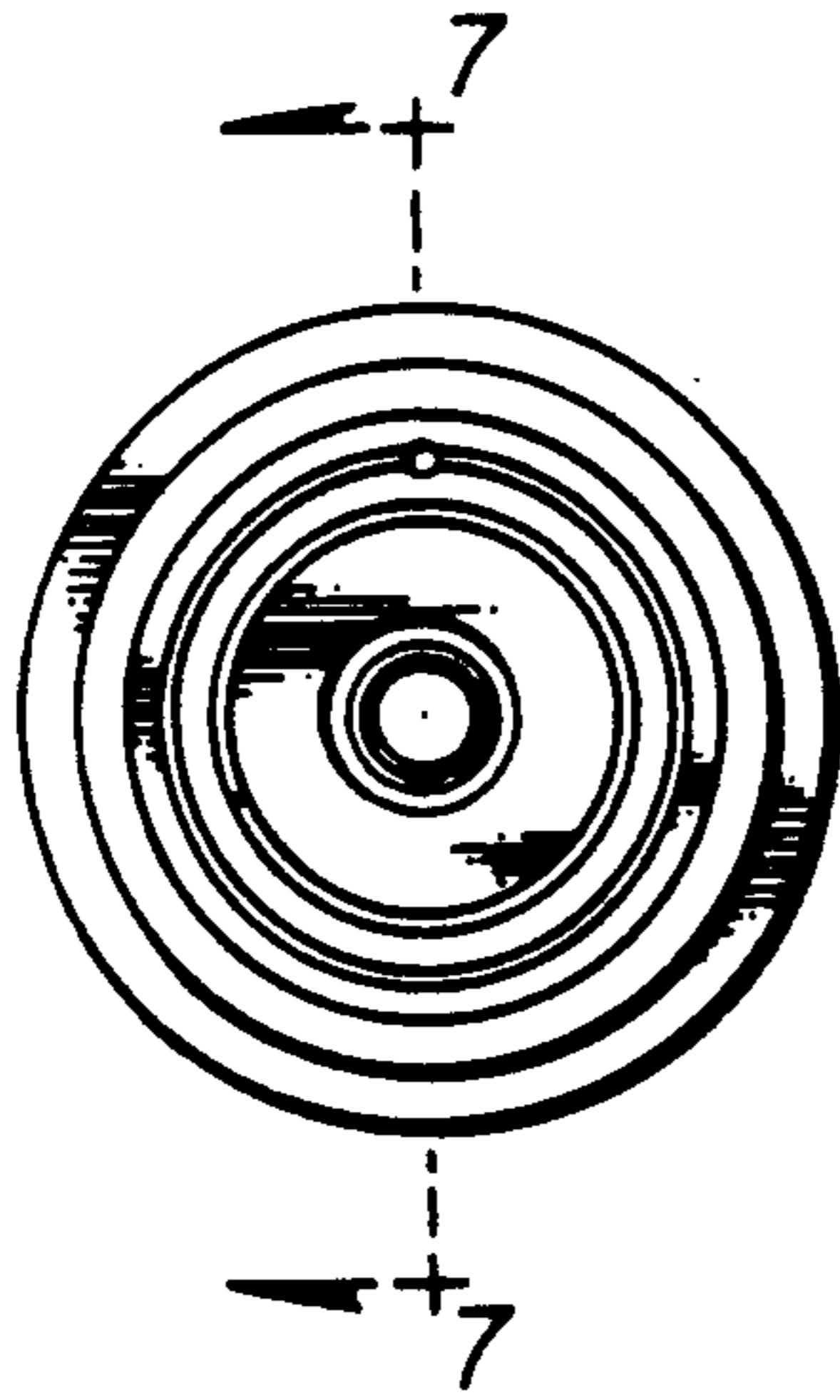


Fig. 5

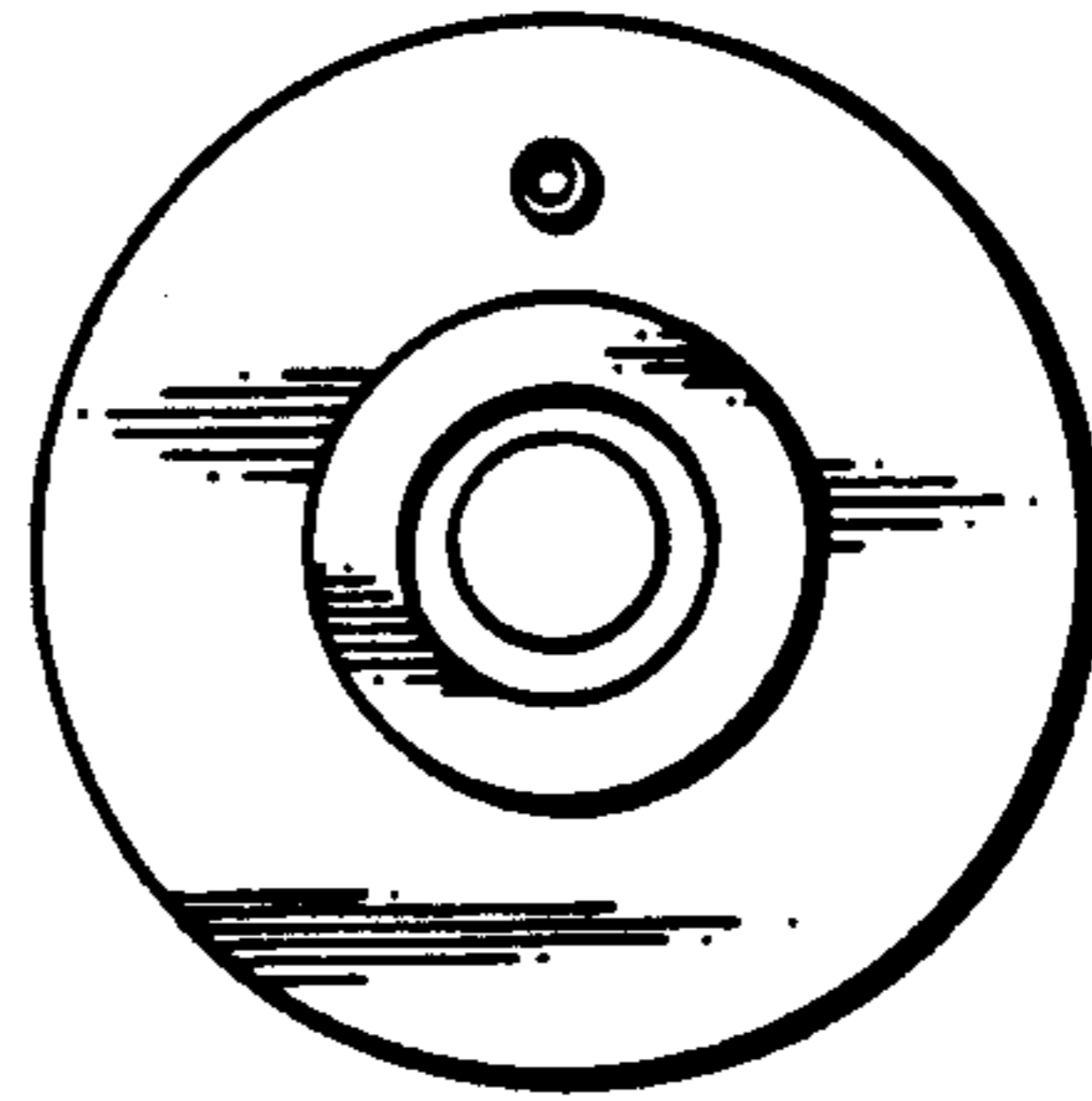


Fig. 6

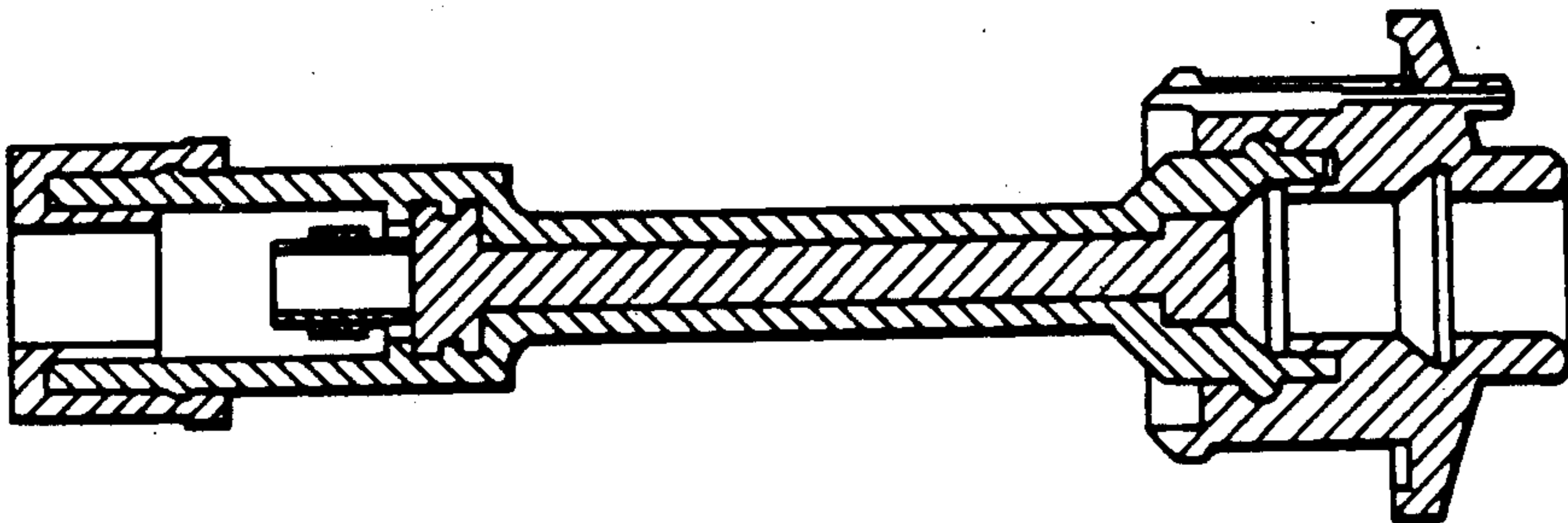


Fig. 7