

[54] CLOCK MOVEMENT WITH BATTERY CASE

[75] Inventor: Katsuya Moritaka, Tokyo, Japan

[73] Assignee: Seikosha Co., Ltd., Japan

[**] Term: 14 Years

[21] Appl. No.: 197,913

[22] Filed: May 24, 1988

[30] Foreign Application Priority Data

Nov. 24, 1987 [JP] Japan 62-48017

[52] U.S. Cl. D10/129; D13/119 X

[58] Field of Search D10/129; D13/103, 118-120; 368/35, 88, 104, 220, 276-277, 280-282, 285, 300

[56] References Cited

U.S. PATENT DOCUMENTS

- D. 217,465 5/1970 Tung D13/119
- 3,000,999 9/1961 Schlau D13/119 X
- 3,472,020 10/1969 Tackle 368/164
- 3,583,148 6/1971 Wolber 368/276 X
- 4,161,568 7/1979 Lund D13/119 X

- 4,175,374 11/1979 Yoshizawa 368/300
- 4,272,842 6/1981 Schultheiss D10/129 X
- 4,316,277 2/1982 Endo 368/88 X
- 4,464,062 8/1984 Inage 368/220
- 4,465,378 8/1984 Maurer 368/88

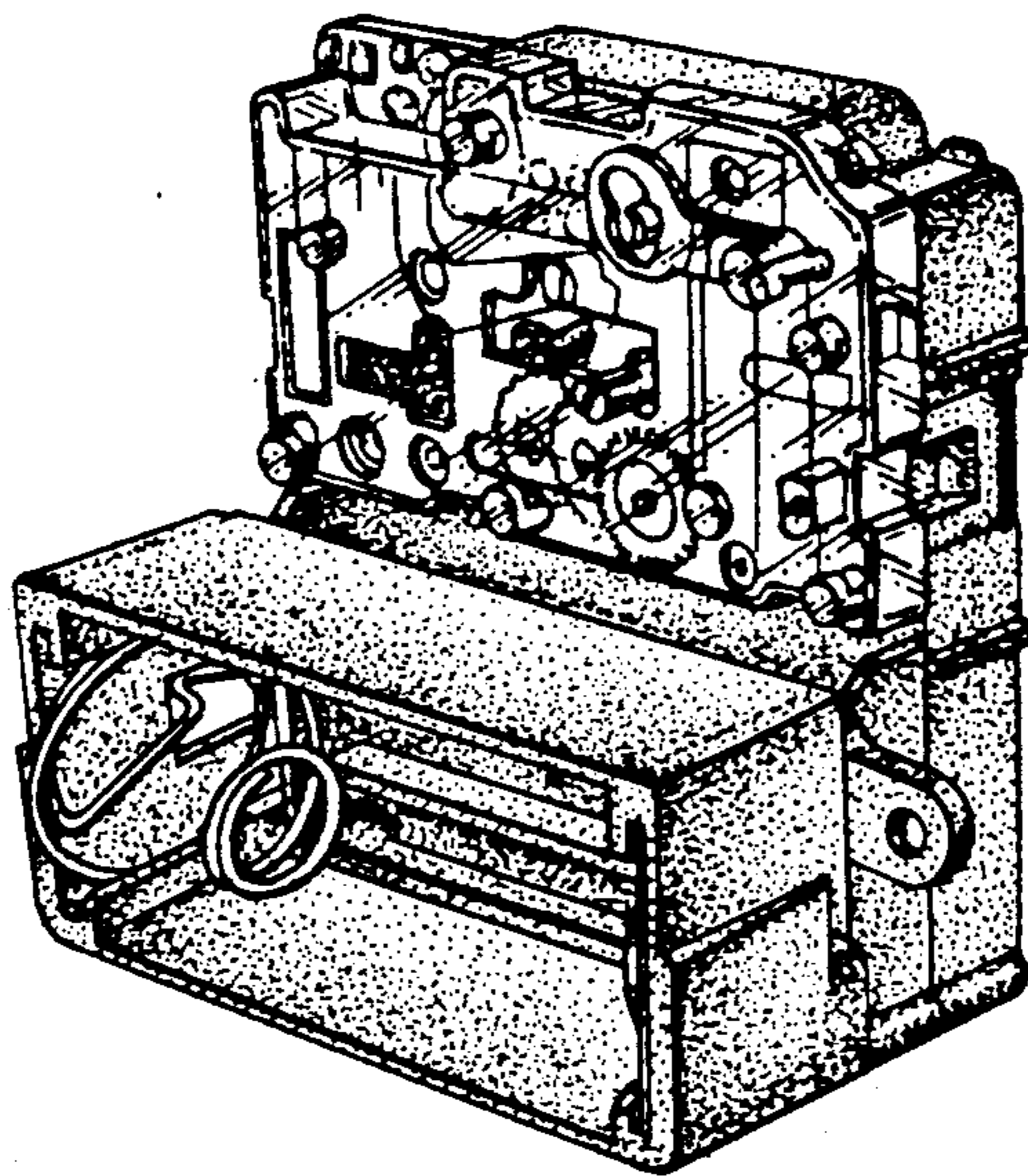
Primary Examiner—Nelson C. Holtje
Attorney, Agent, or Firm—Bruce L. Adams; Van C. Wilks

[57] CLAIM

The ornamental design for a clock movement with battery case, as shown and described.

DESCRIPTION

FIG. 1 is a front elevational view of a clock movement with battery case showing my new design;
 FIG. 2 is a rear elevational view thereof;
 FIG. 3 is a top plan view thereof;
 FIG. 4 is a bottom plan view thereof;
 FIG. 5 is a left side elevational view thereof;
 FIG. 6 is a right side elevational view thereof;
 FIG. 7 is a front and top right perspective view thereof;
 and
 FIG. 8 is a rear and top left perspective view thereof.



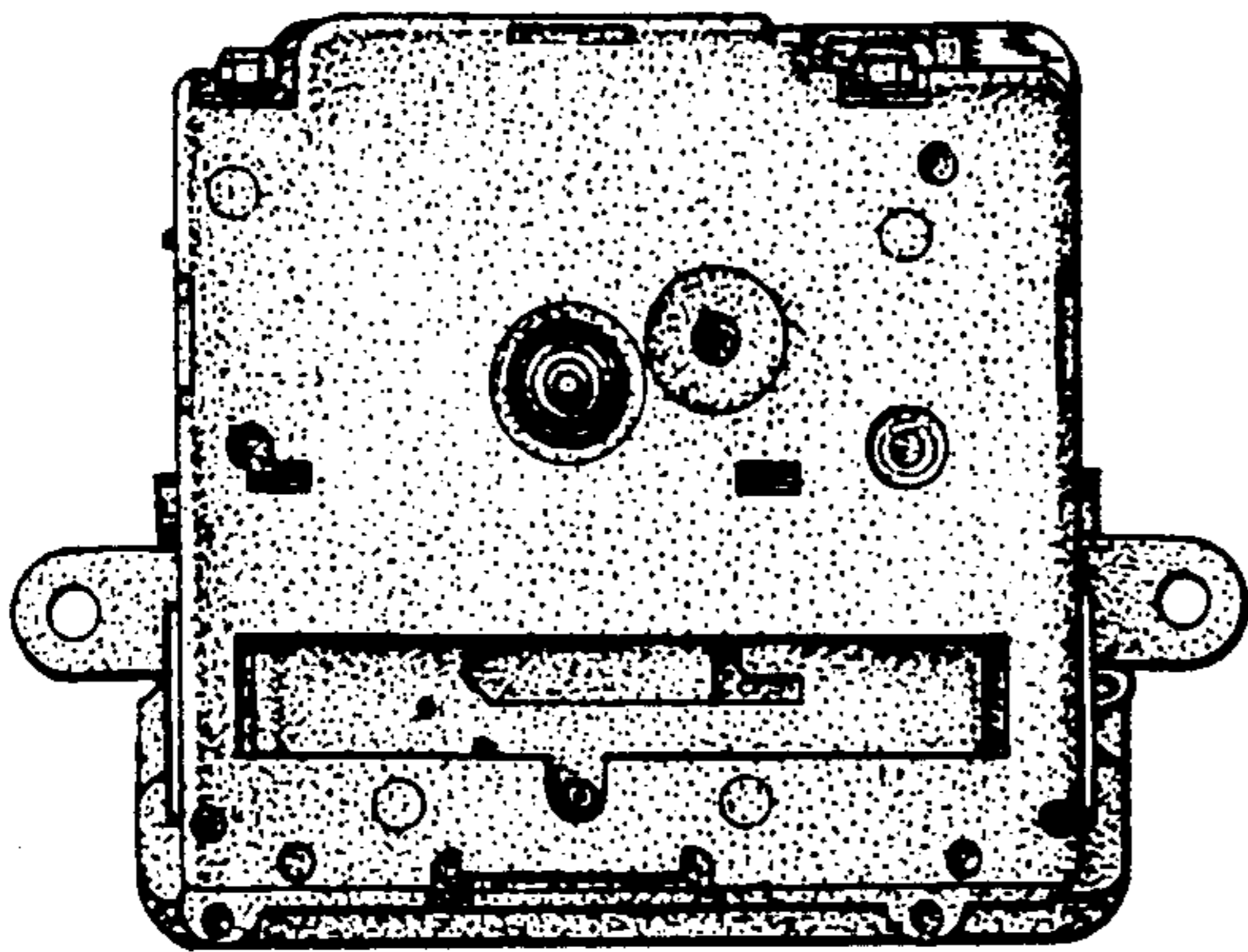


FIG. 1

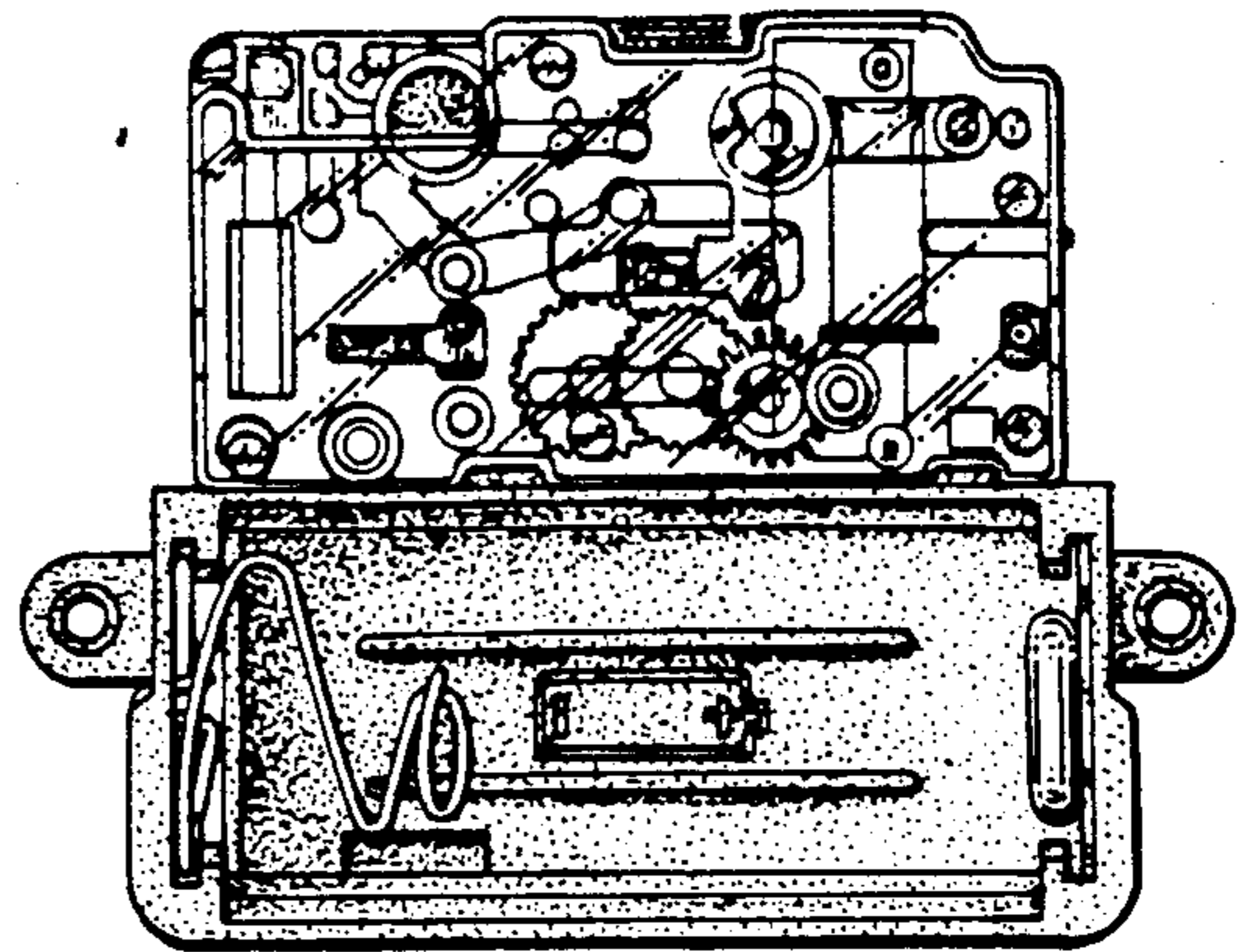


FIG. 2

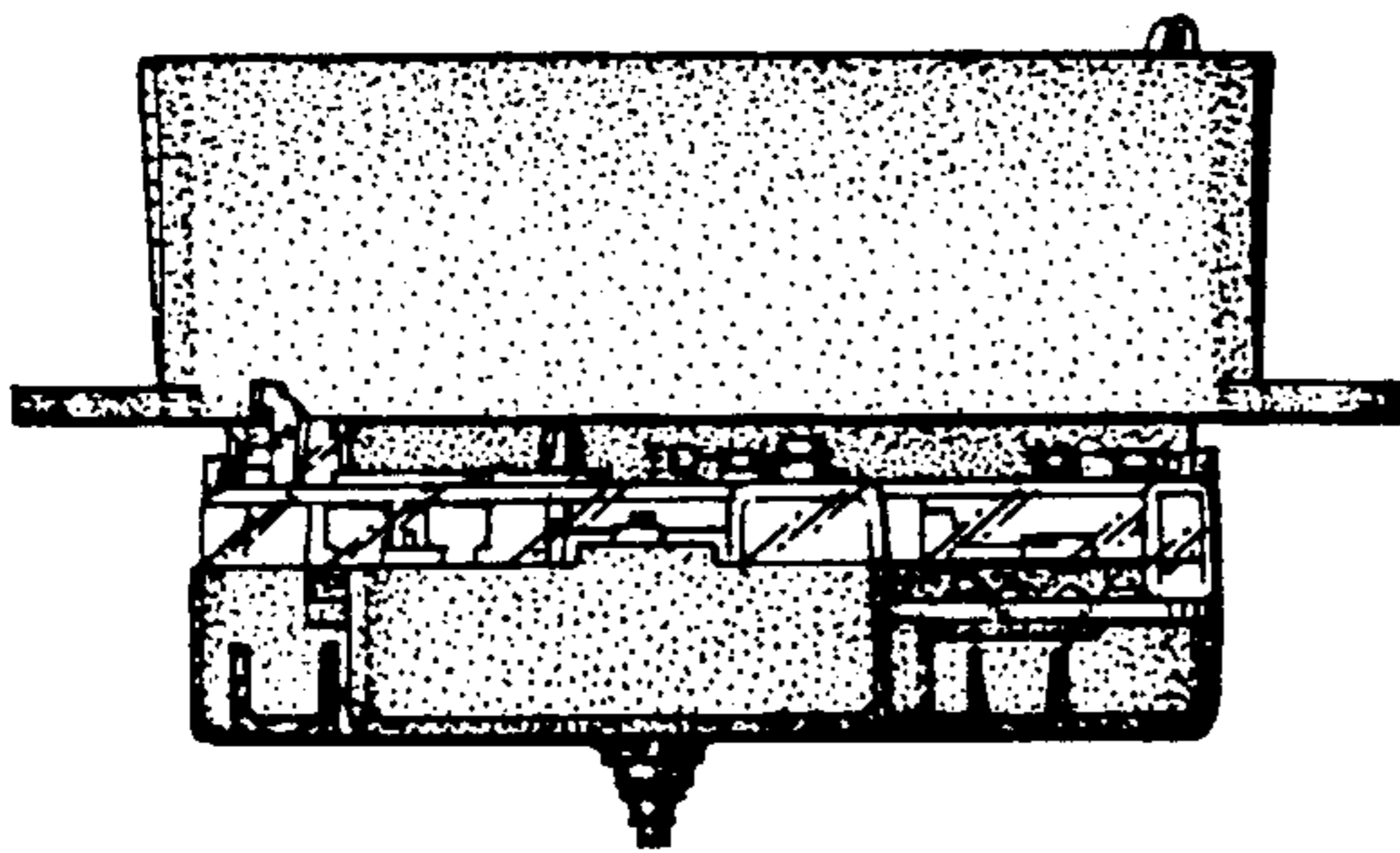


FIG. 3

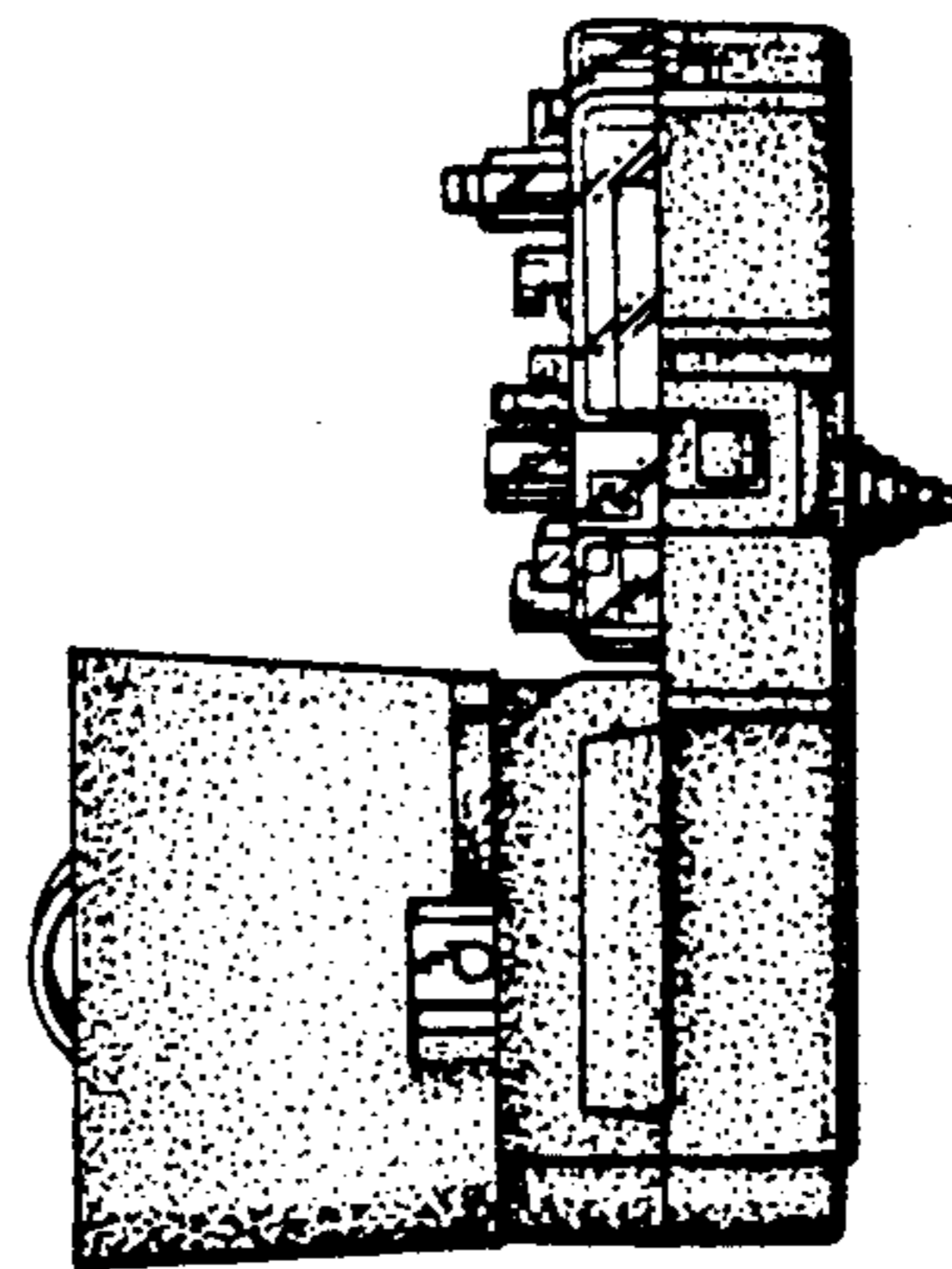


FIG. 5

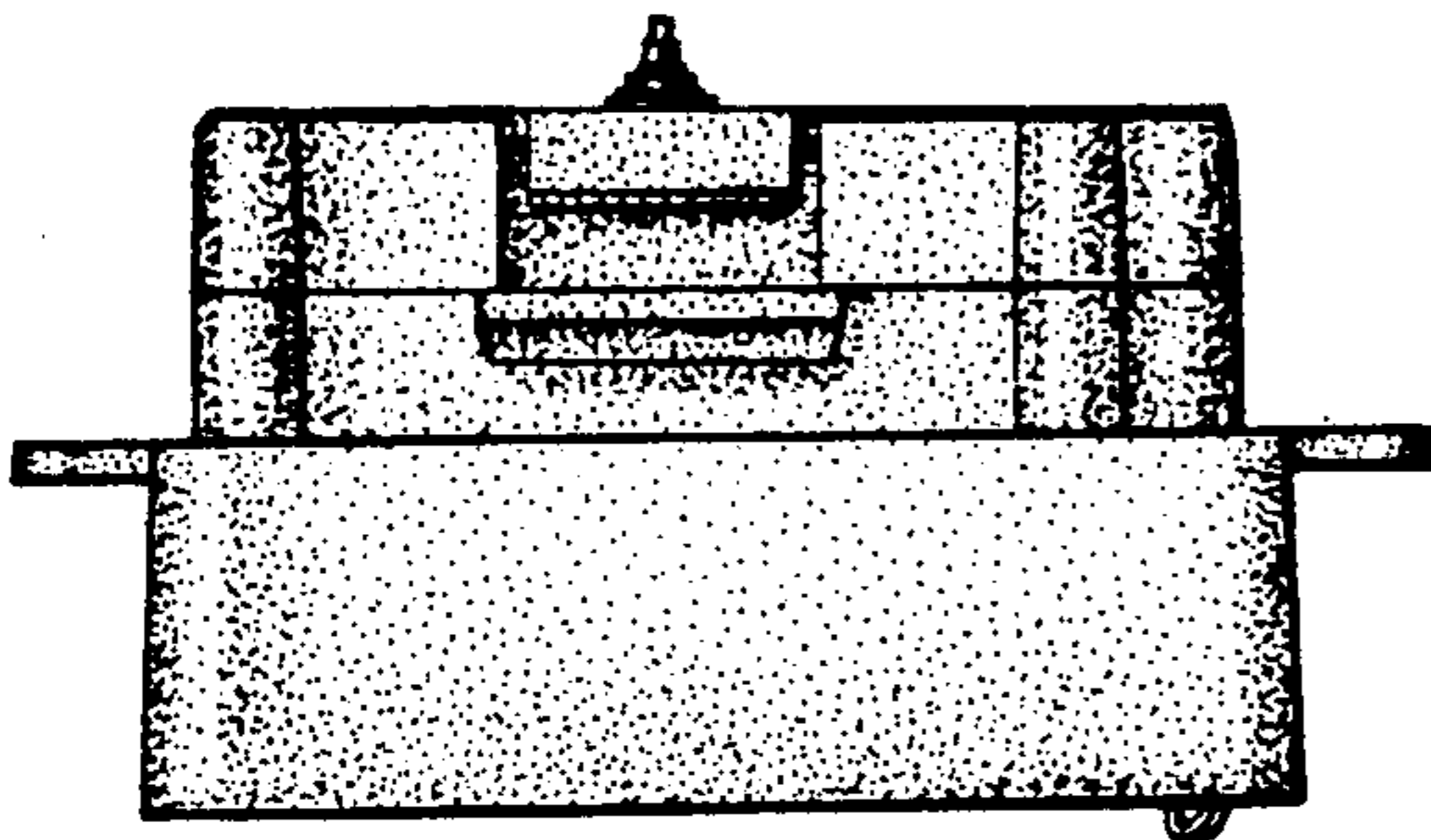


FIG. 4

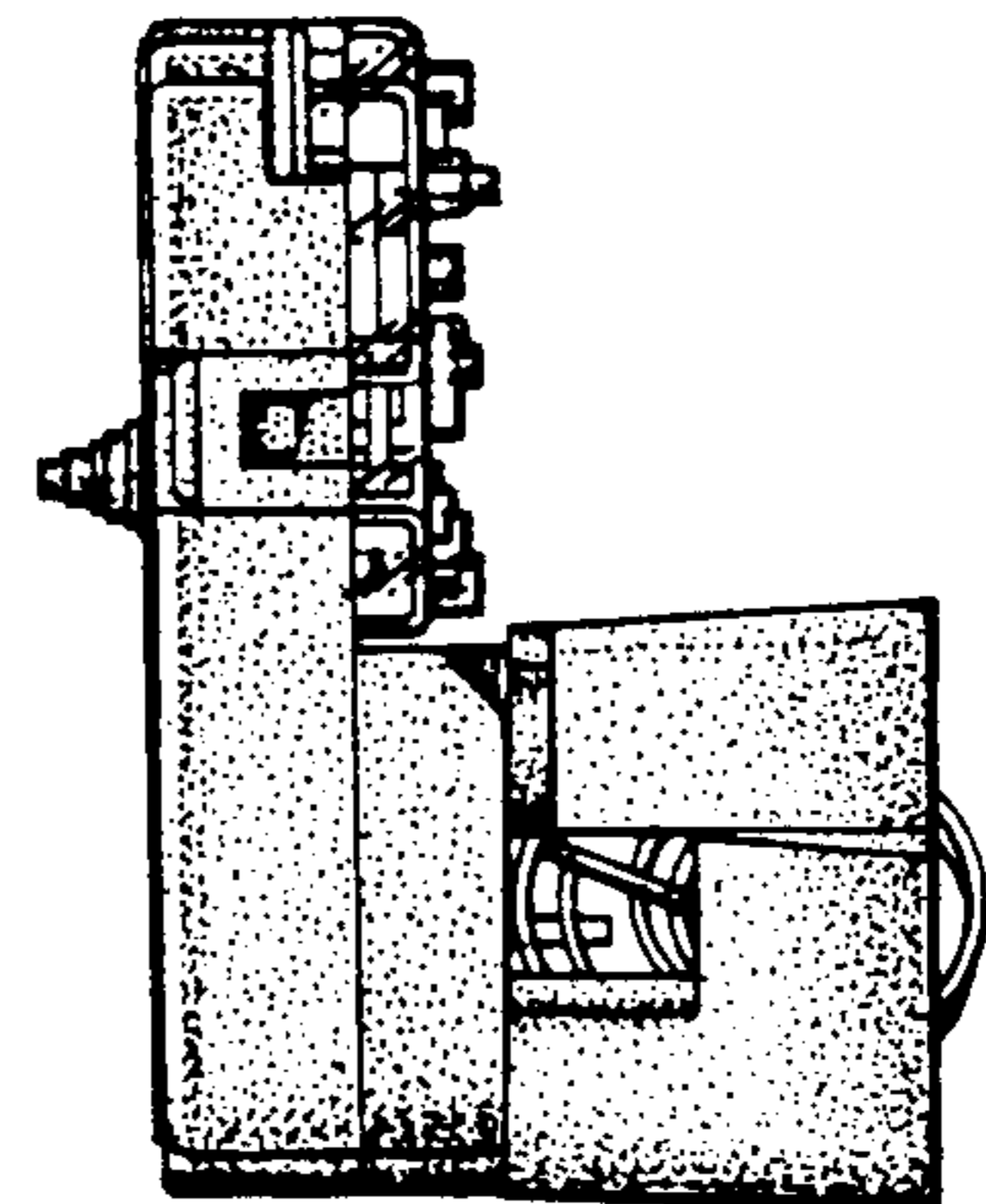


FIG. 6

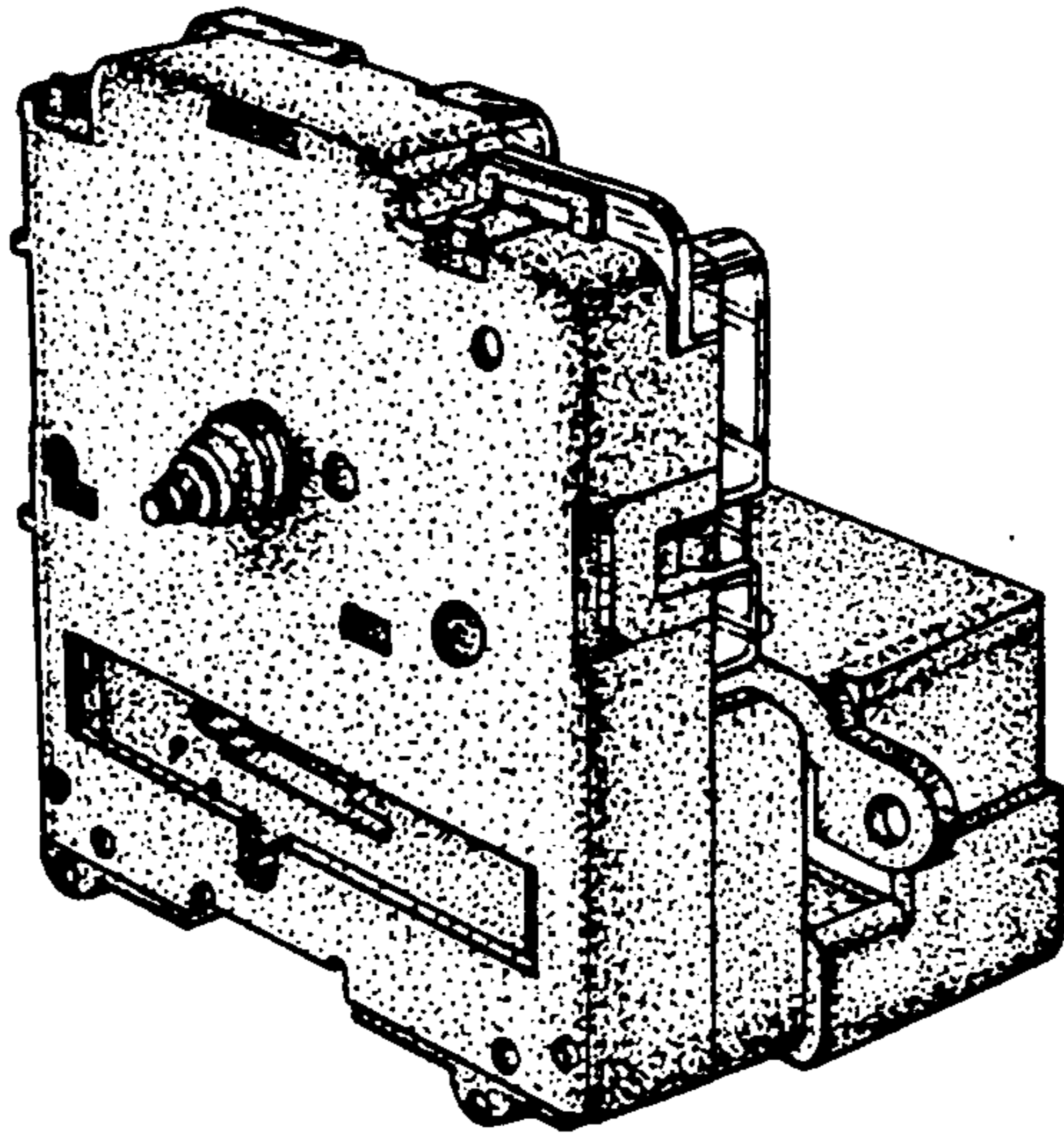


FIG. 7

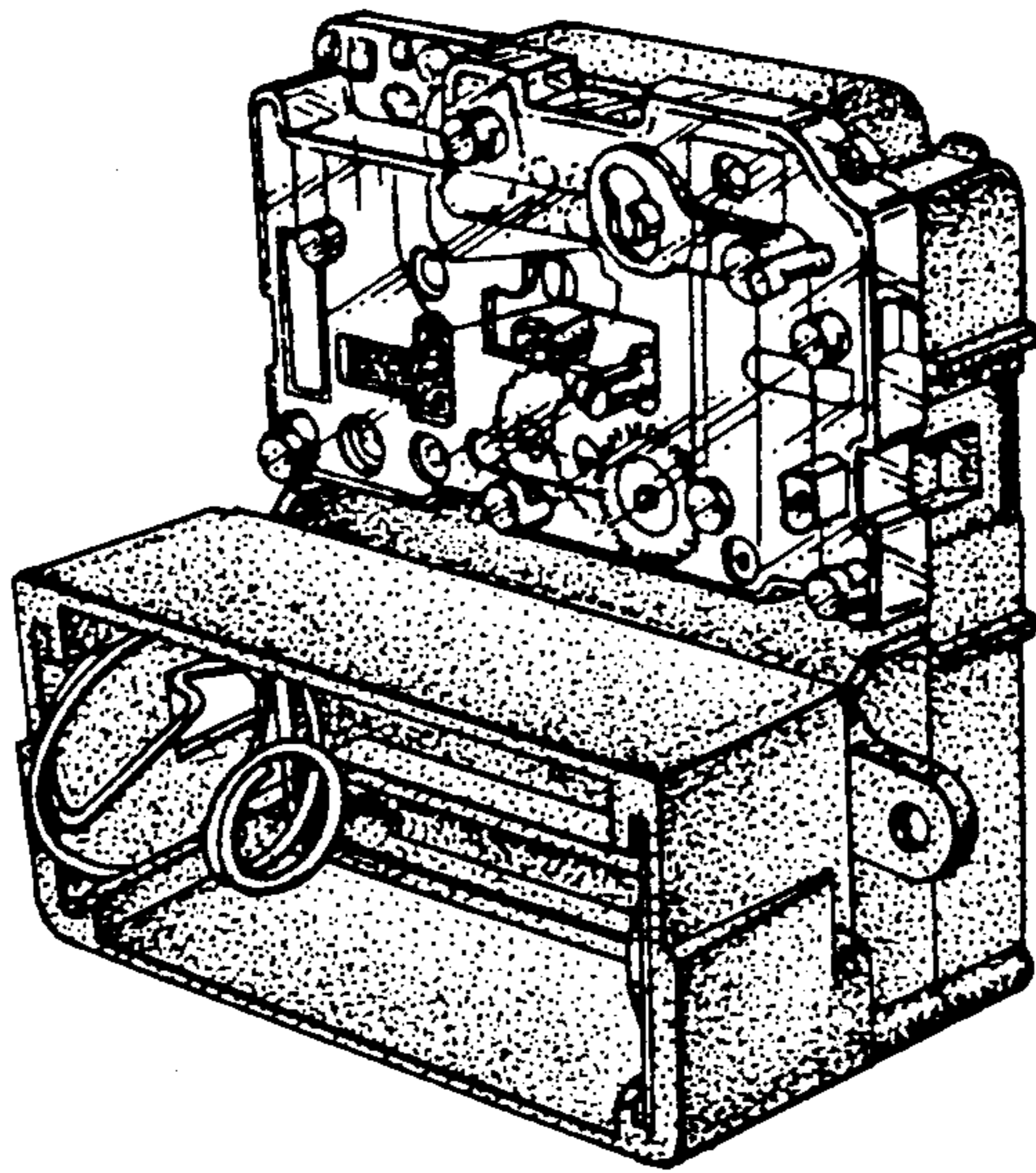


FIG. 8