

[54] CLOCK MOVEMENT WITH BATTERY CASE

[75] Inventor: Katsuya Moritaka, Tokyo, Japan

[73] Assignee: Seikosha Co., Ltd., Japan

[**] Term: 14 Years

[21] Appl. No.: 197,910

[22] Filed: May 24, 1988

[30] Foreign Application Priority Data

Nov. 24, 1987 [JP] Japan 62-48016

[52] U.S. Cl. D10/129; D13/119

[58] Field of Search D10/129; D13/103, 118, D13/119, 120; 368/88, 35, 164, 220, 276-277, 280-282, 300

[56] References Cited

U.S. PATENT DOCUMENTS

- D. 217,465 5/1970 Tong D13/119
- 3,000,999 9/1961 Schlau D13/119 X
- 3,472,020 10/1969 Jackle 368/164

- 4,161,568 7/1979 Lund D13/119 X
- 4,316,277 2/1982 Endo 368/88 X
- 4,464,062 8/1984 Inage 368/220
- 4,465,378 8/1984 Maurer 368/88

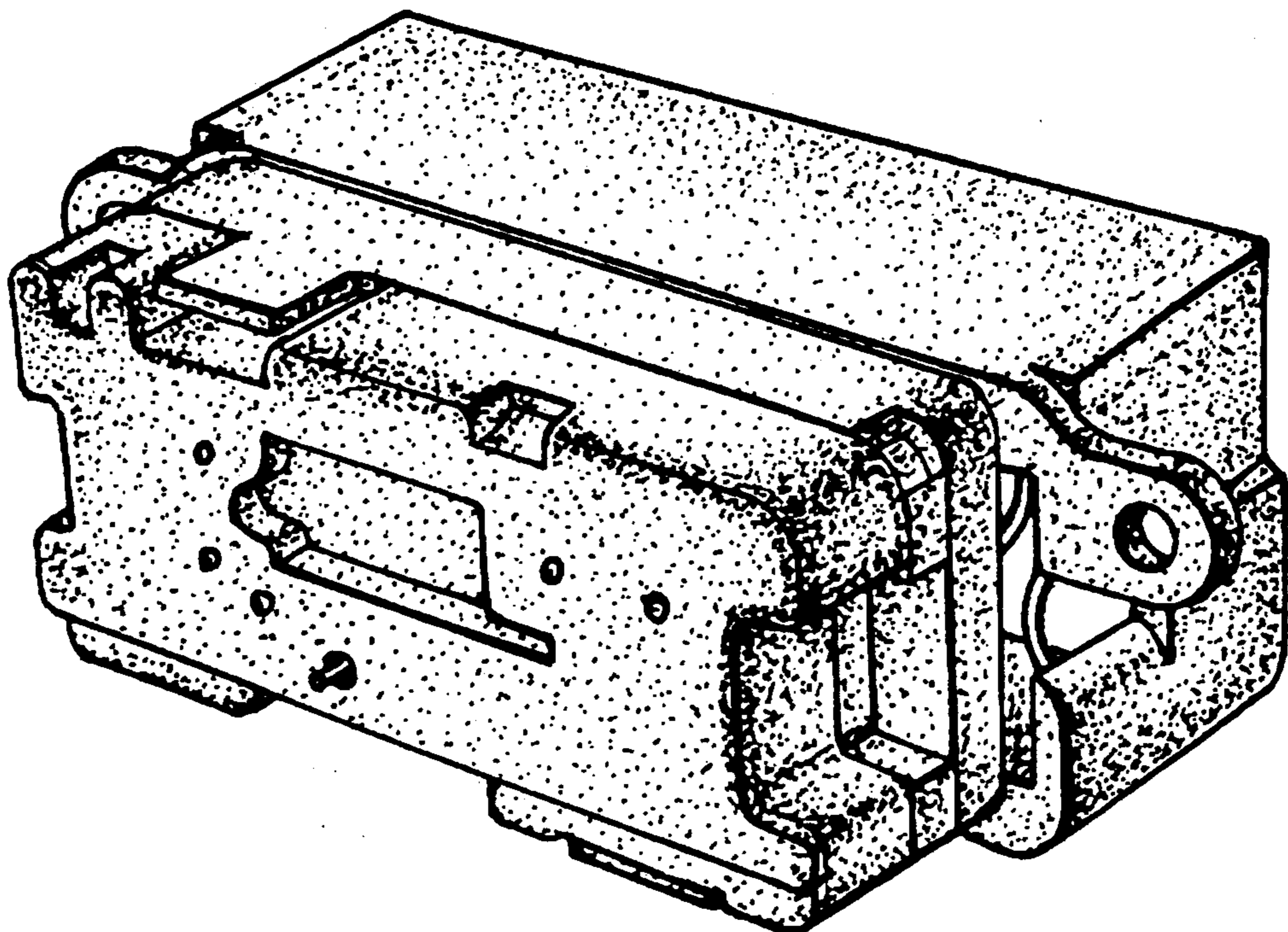
Primary Examiner—Nelson C. Holtje
Attorney, Agent, or Firm—Bruce L. Adams; Van C. Wilks

[57] CLAIM

The ornamental design for a clock movement with battery case, as shown and described.

DESCRIPTION

FIG. 1 is a front elevational view of a clock movement with battery case showing my new design; FIG. 2 is a rear elevational view thereof; FIG. 3 is a top plan view thereof; FIG. 4 is a bottom plan view thereof; FIG. 5 is a left side elevational view thereof; FIG. 6 is a right side elevational view thereof; FIG. 7 is a front and top perspective view thereof; and FIG. 8 is a rear and top left perspective view thereof.



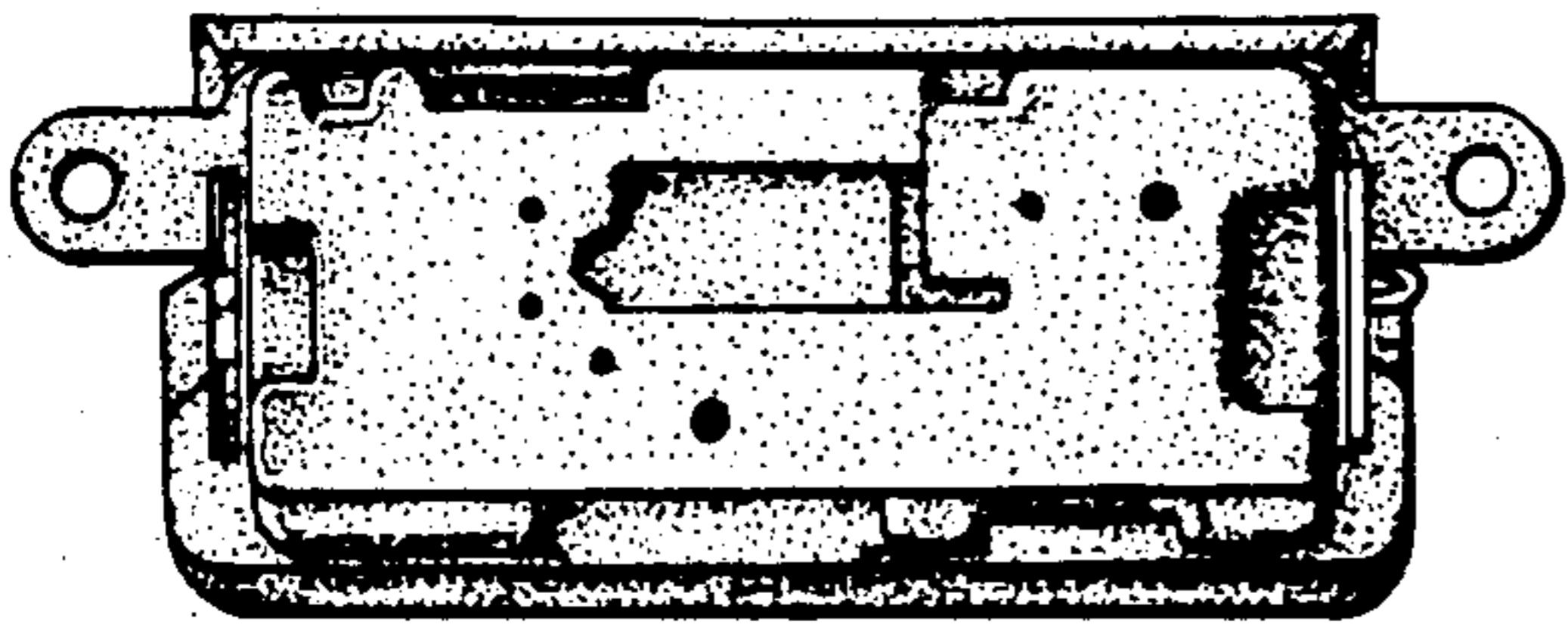


FIG. 1

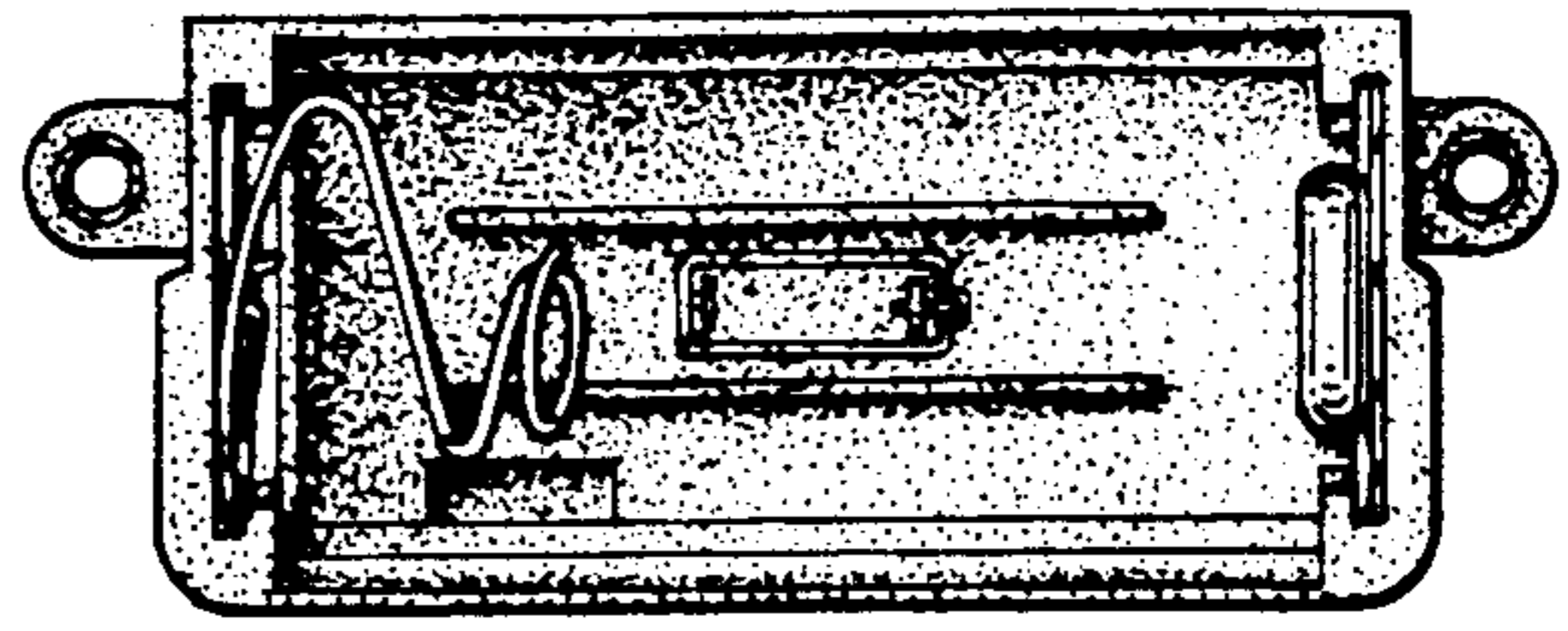


FIG. 2

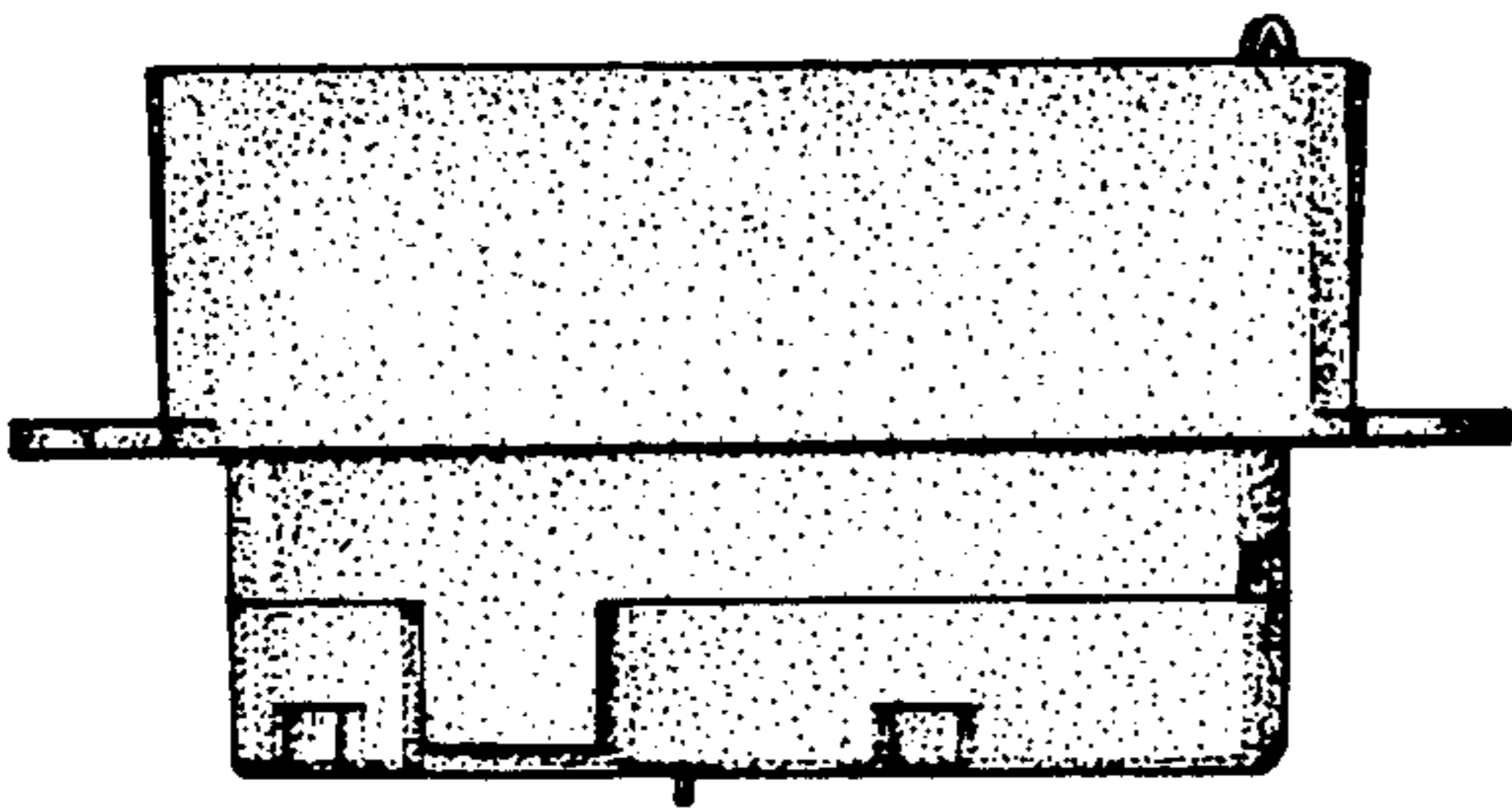


FIG. 3

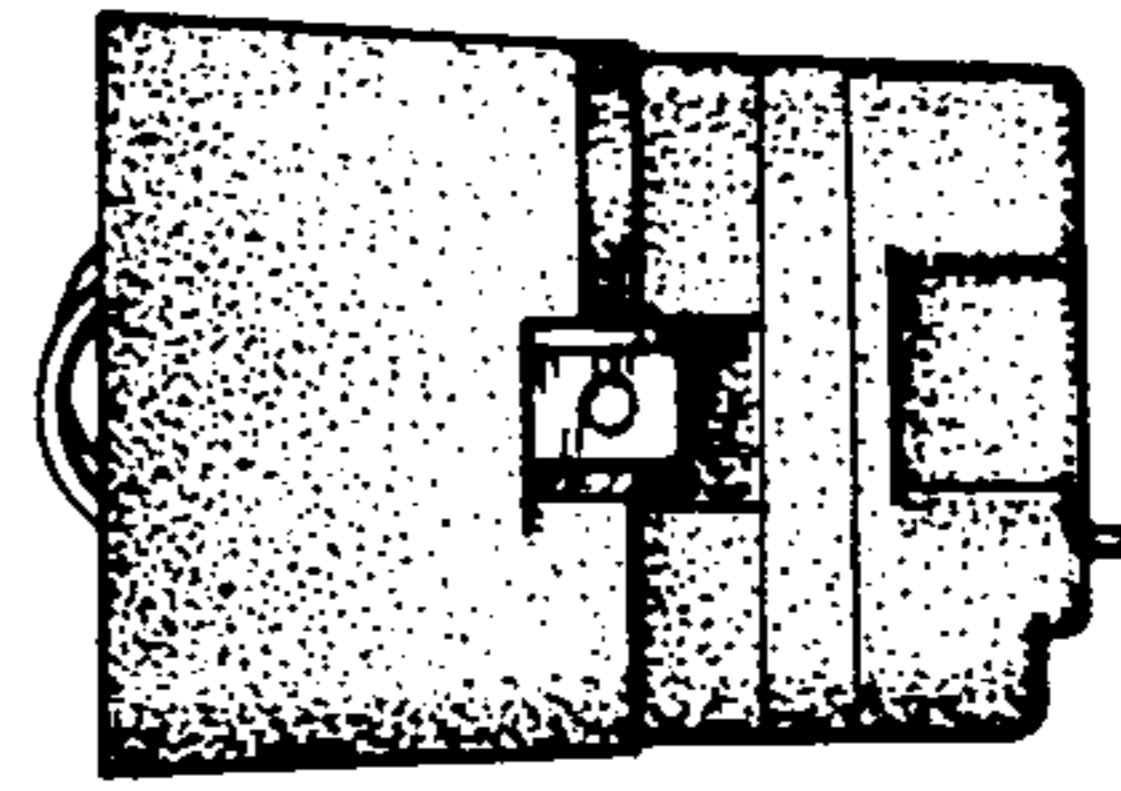


FIG. 5

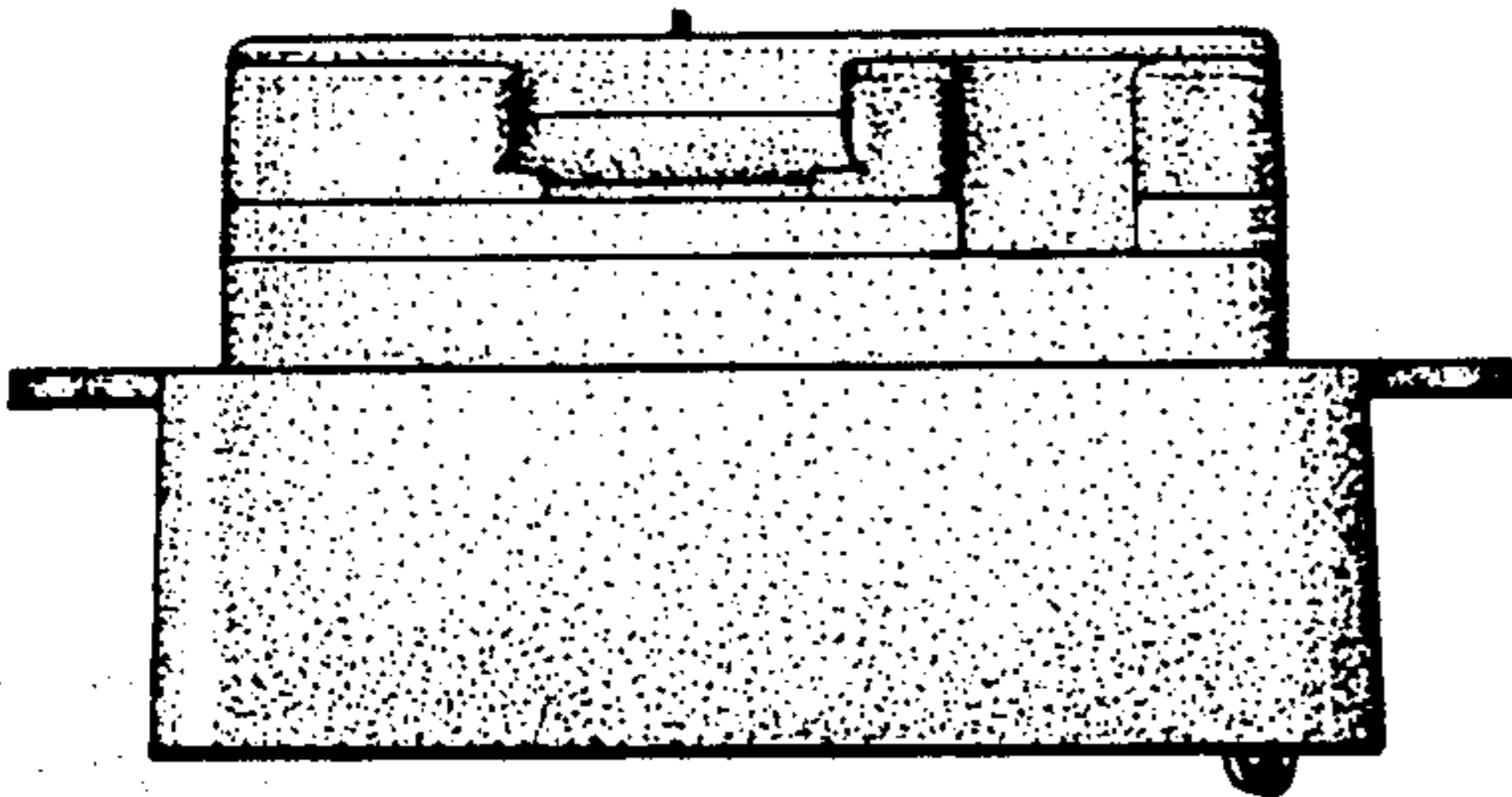


FIG. 4

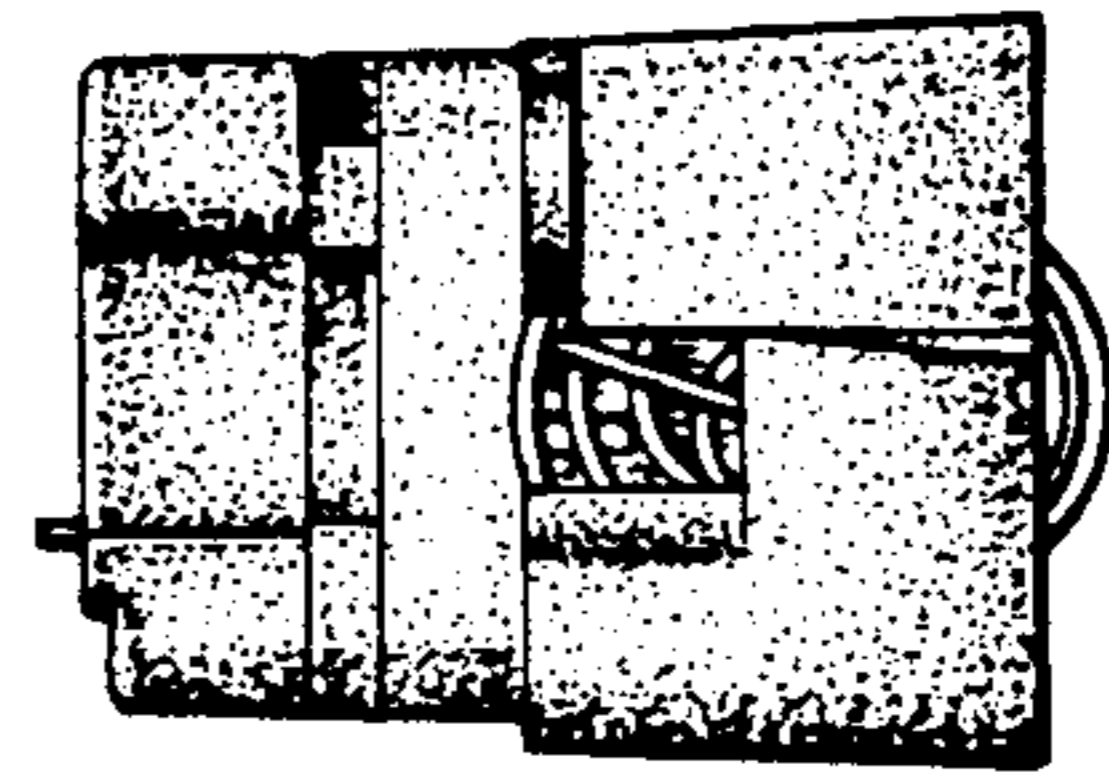


FIG. 6

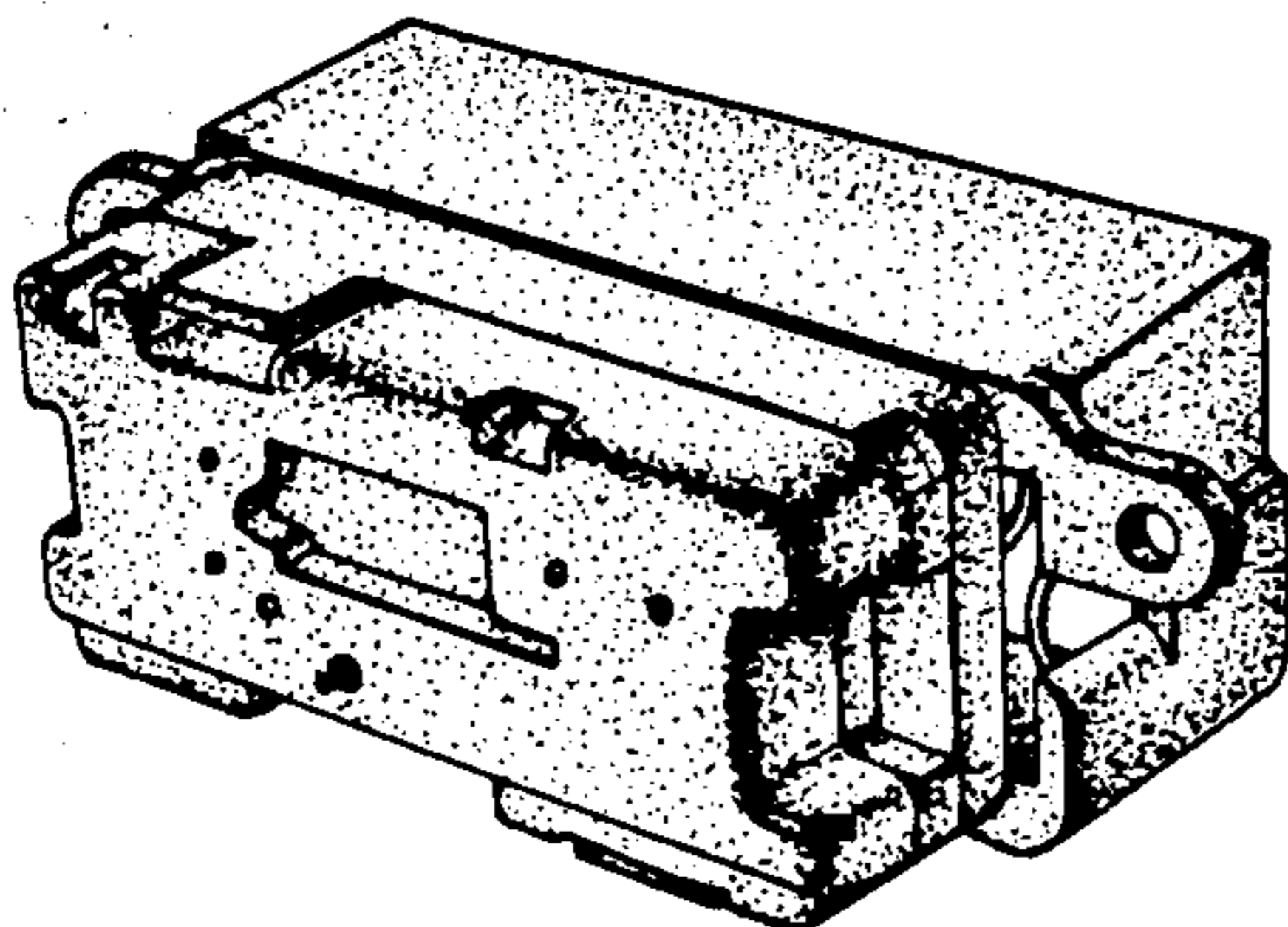


FIG. 7

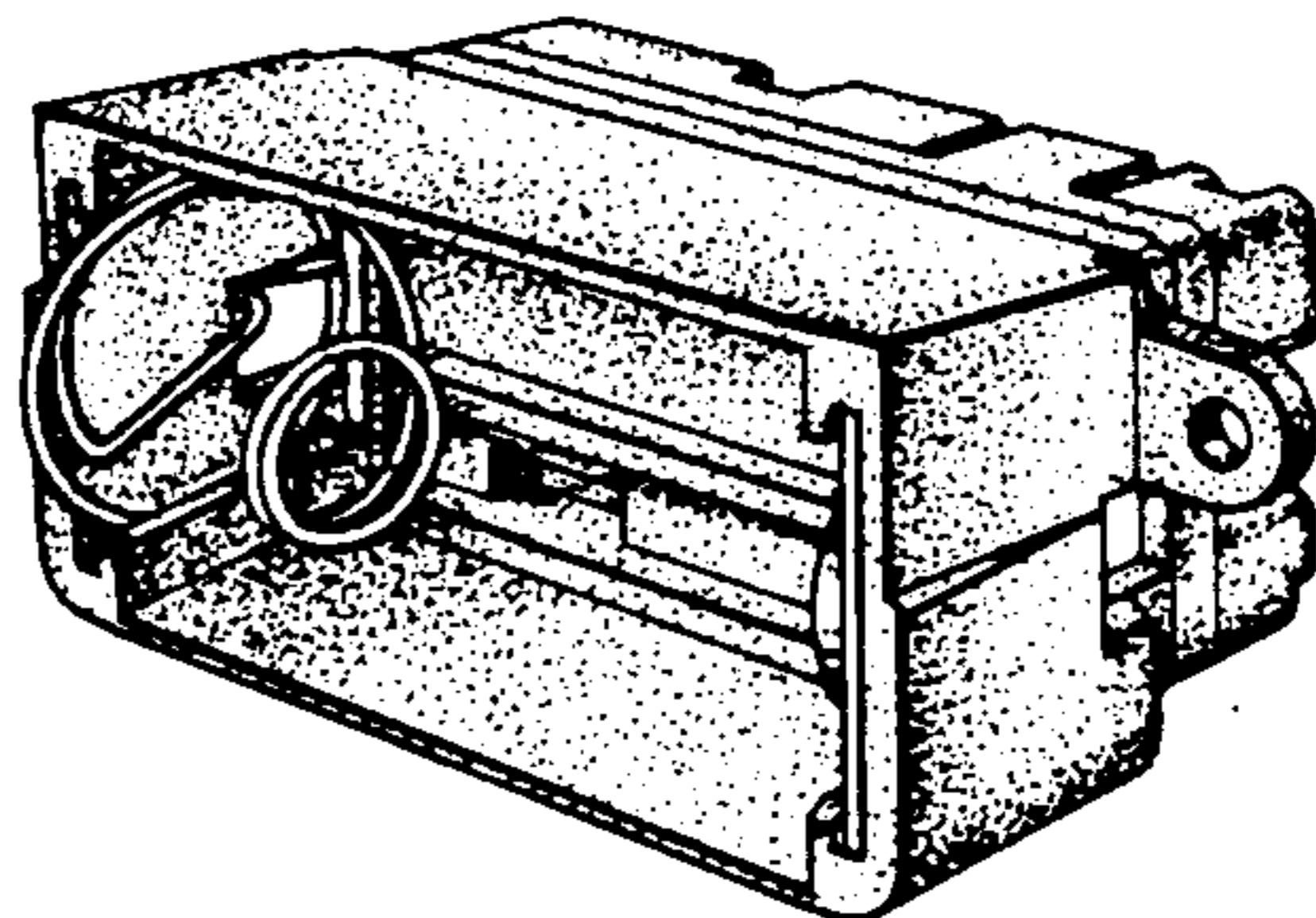


FIG. 8