

[54] COLLAPSIBLE RADON MONITOR

[75] Inventor: Robert W. Ramsey, Jr., Damascus, Md.

[73] Assignee: Rad Elec Inc., Frederick, Md.

[**] Term: 14 Years

[21] Appl. No.: 317,792

[22] Filed: Mar. 2, 1989

[52] U.S. Cl. D10/47

[58] Field of Search D10/46, 47; 73/864.52; 220/413, 214; 250/253, 255, 256, 257, 261, 269, 270, 336.1, 337, 374, 376, 472.1; D9/301, 350, 351; 215/1

[56] References Cited

U.S. PATENT DOCUMENTS

D. 259,865	7/1981	Struby	D10/47
D. 269,858	7/1983	Alter	D10/47
D. 307,850	5/1990	Aoki et al.	D9/301 X
3,474,844	10/1969	Lindstrom et al.	215/1 X
4,518,860	5/1985	Alter et al.	250/253
4,814,608	3/1989	Dempsey et al.	250/253
4,853,536	8/1989	Dempsey et al.	250/253
4,948,970	8/1990	Port et al.	250/723.1 X
4,980,550	12/1990	Port et al.	250/772.1 X

OTHER PUBLICATIONS

Starcrest of California, Bellow Bottles, 2/22/89.

Primary Examiner—Nelson C. Holtje

Assistant Examiner—Antoine D. Davis

Attorney, Agent, or Firm—Cushman, Darby & Cushman

[57] CLAIM

The ornamental design for a collapsible radon monitor, as shown and described.

DESCRIPTION

FIG. 1 is a top and front perspective view of a collapsible radon monitor showing my new design, shown in an expanded position;

FIG. 2 is a top and front perspective view, shown in a collapsed position;

FIG. 3 is a front elevational view, shown in an expanded position;

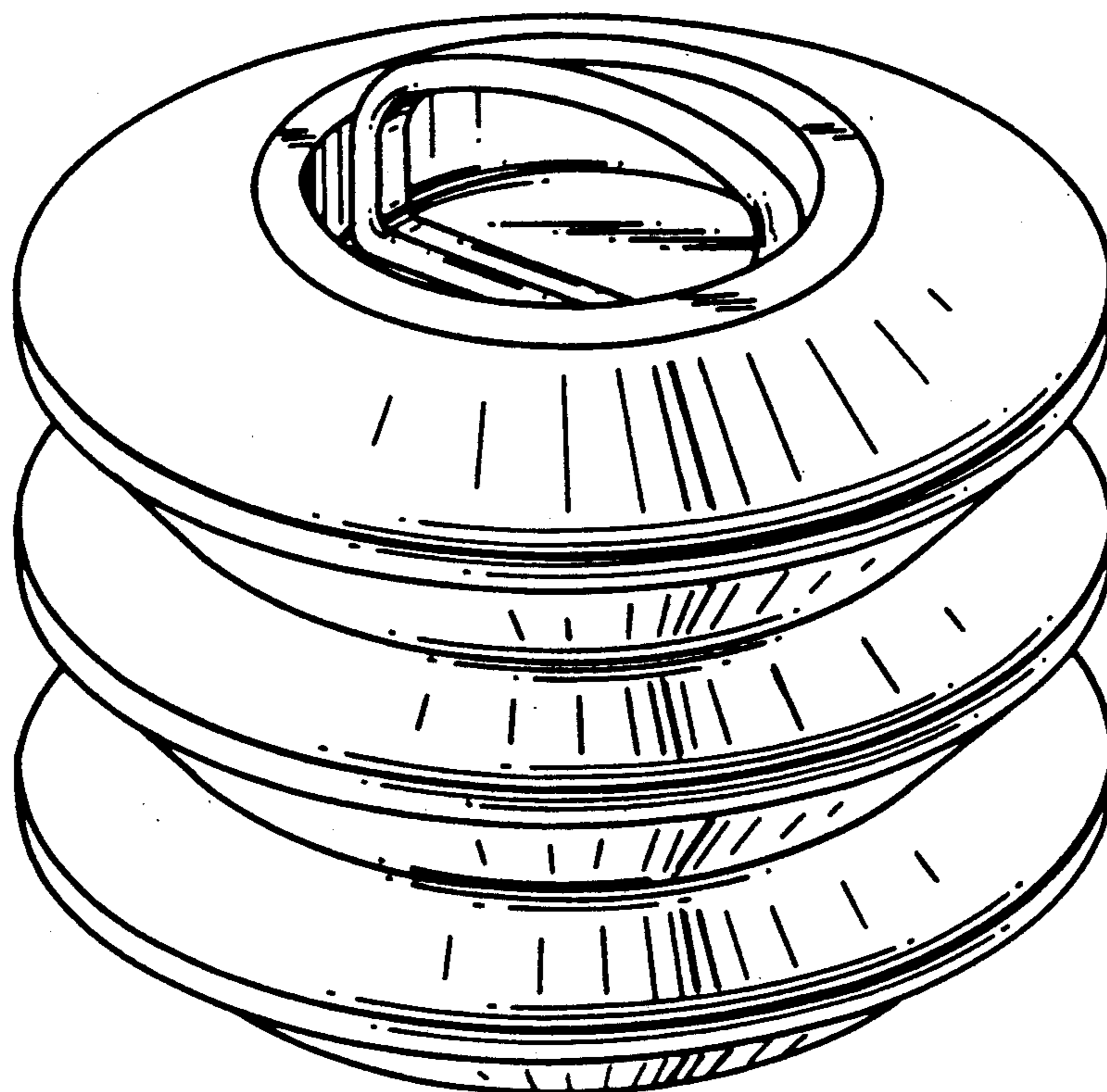
FIG. 4 is a front elevational view, shown in a collapsed position;

FIG. 5 is a bottom plan view;

FIG. 6 is a top plan view; and

FIG. 7 is a left side elevational view thereof, the right side elevational view being identical.

The front and rear are identical in appearance and the left and right sides are identical in appearance for both the expanded and collapsed canister positions.



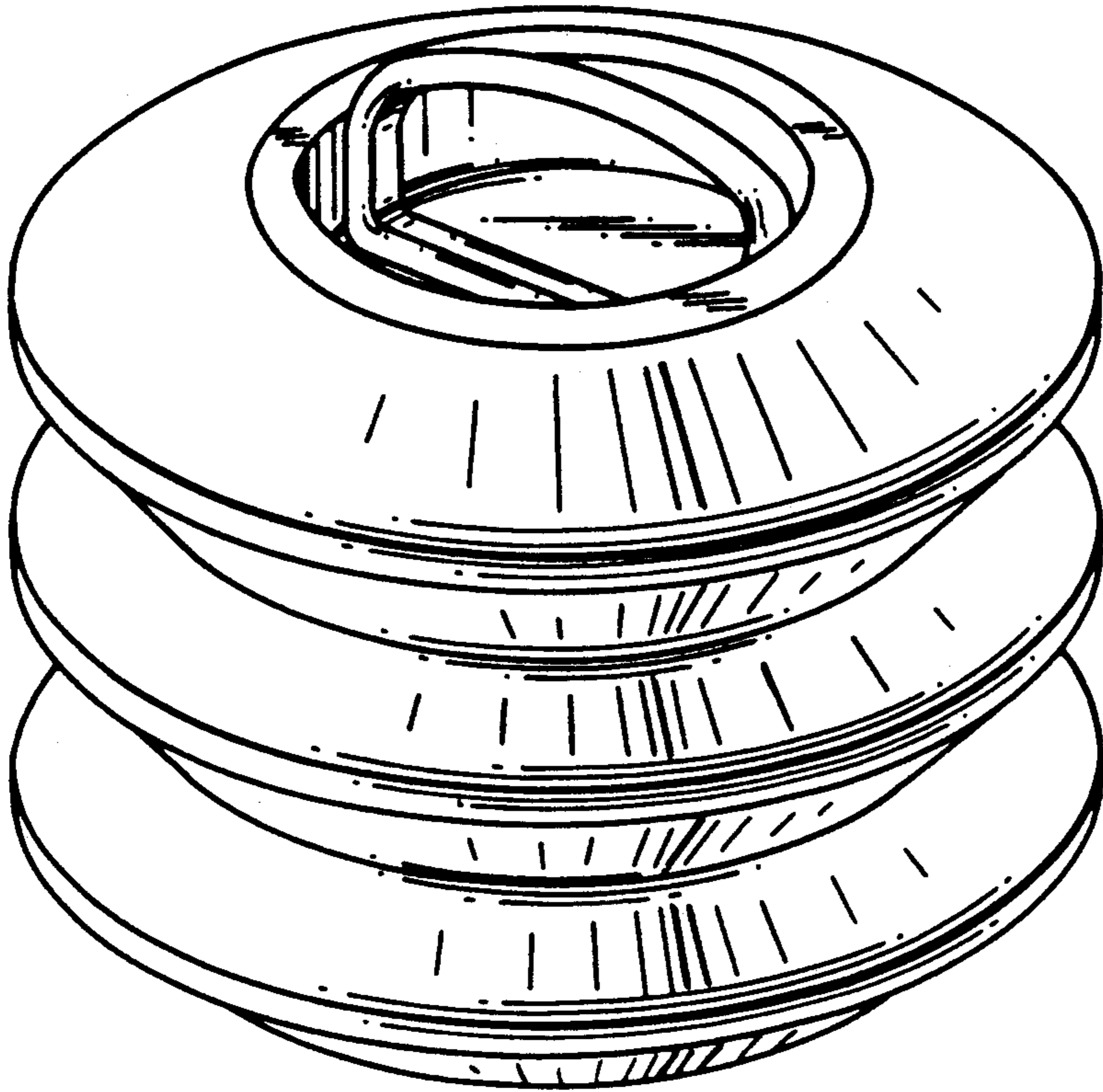


Fig. 1

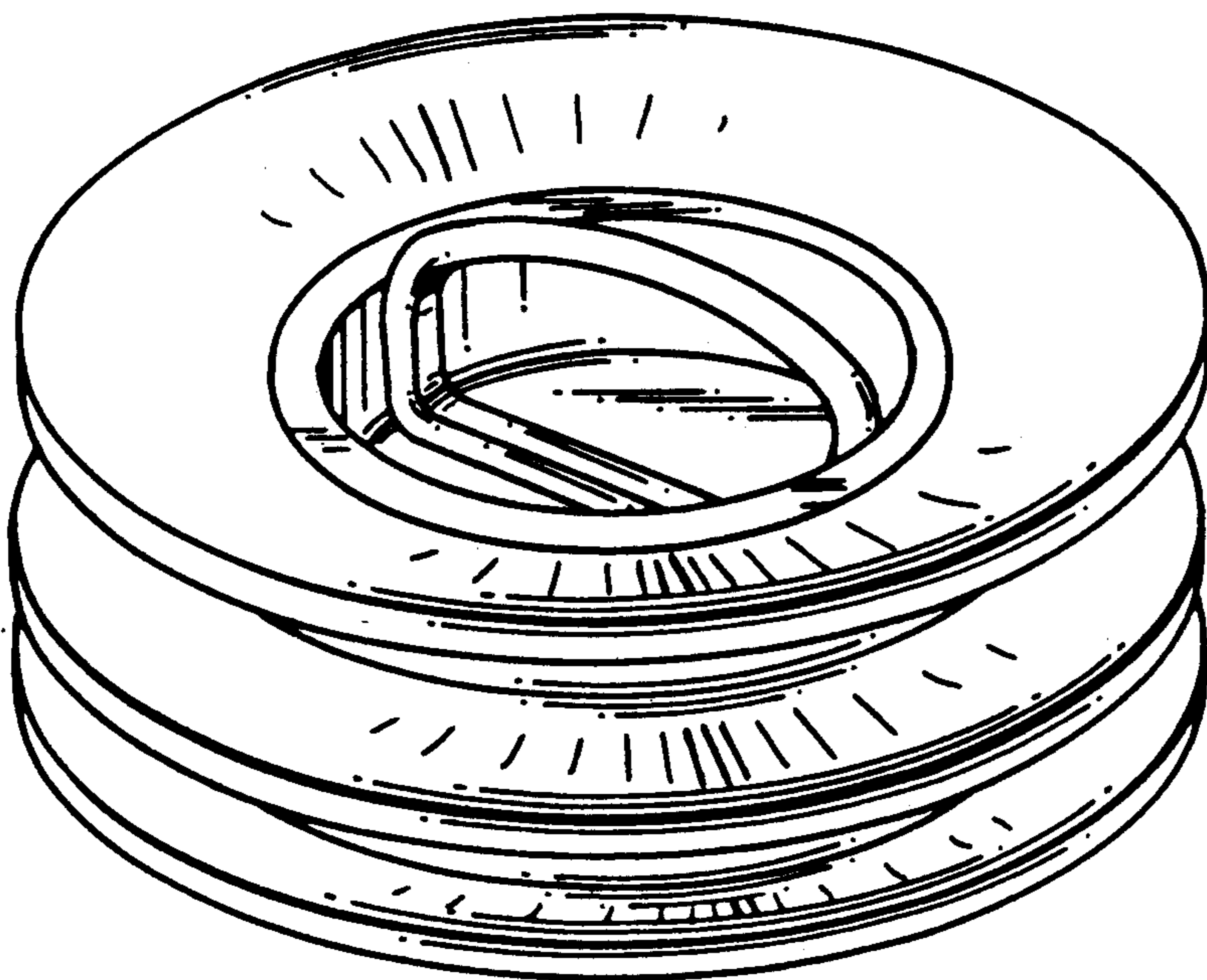


Fig. 2

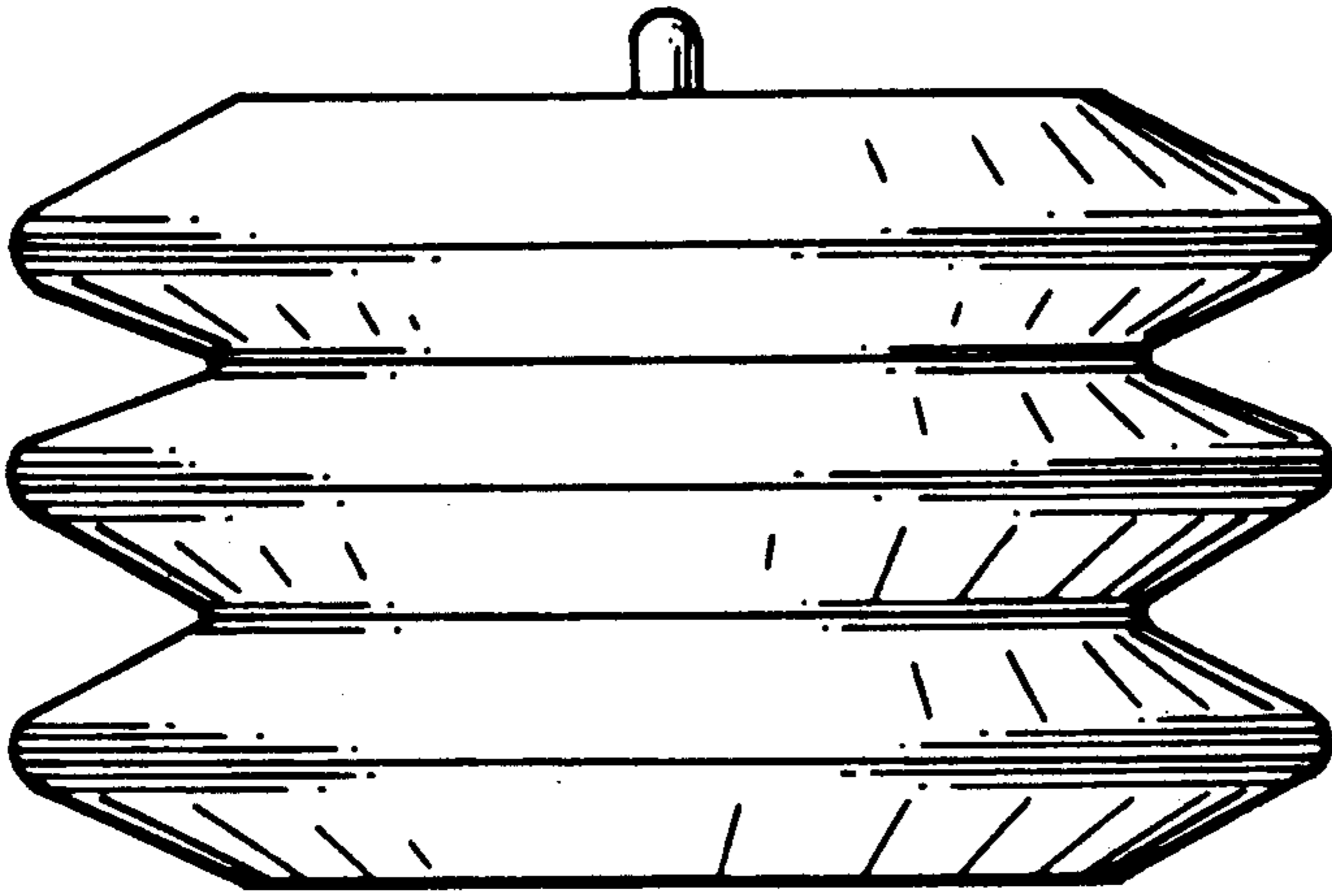


Fig. 3

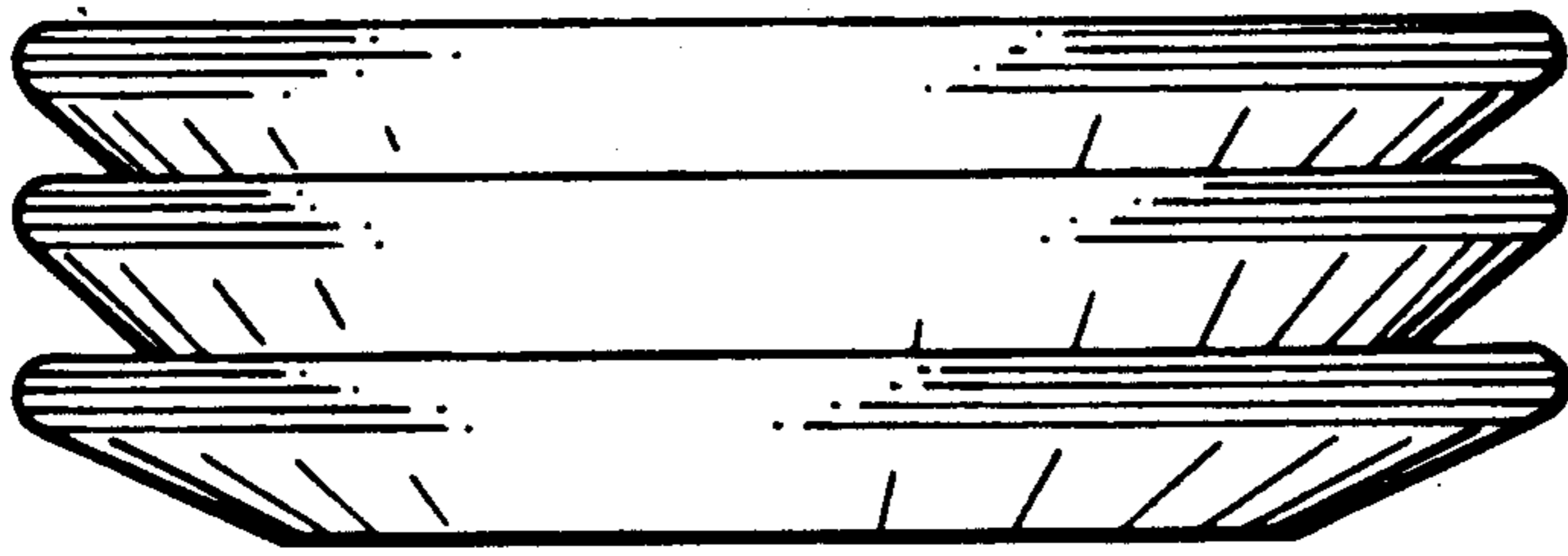


Fig. 4

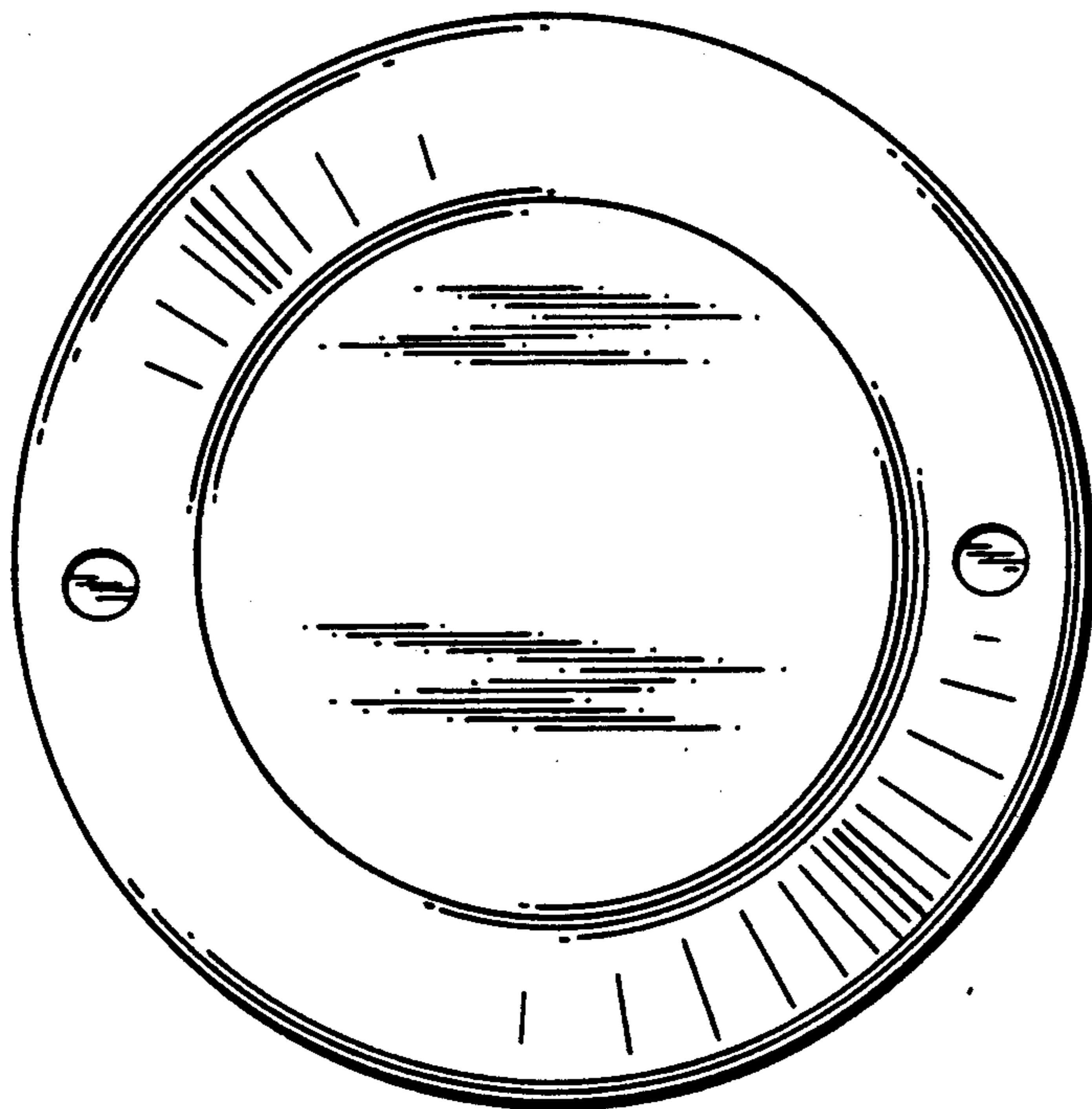


Fig. 5

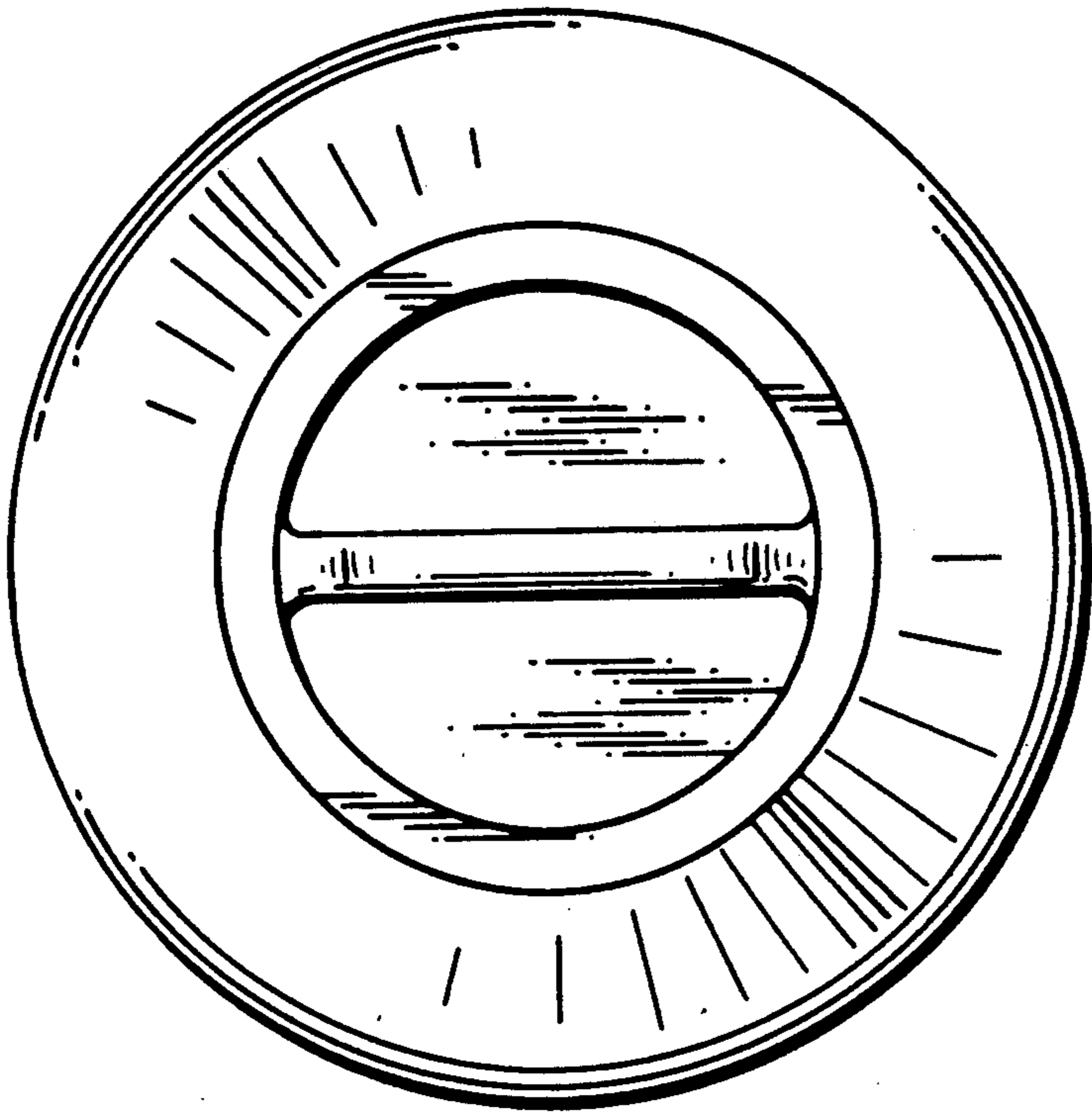


Fig. 6

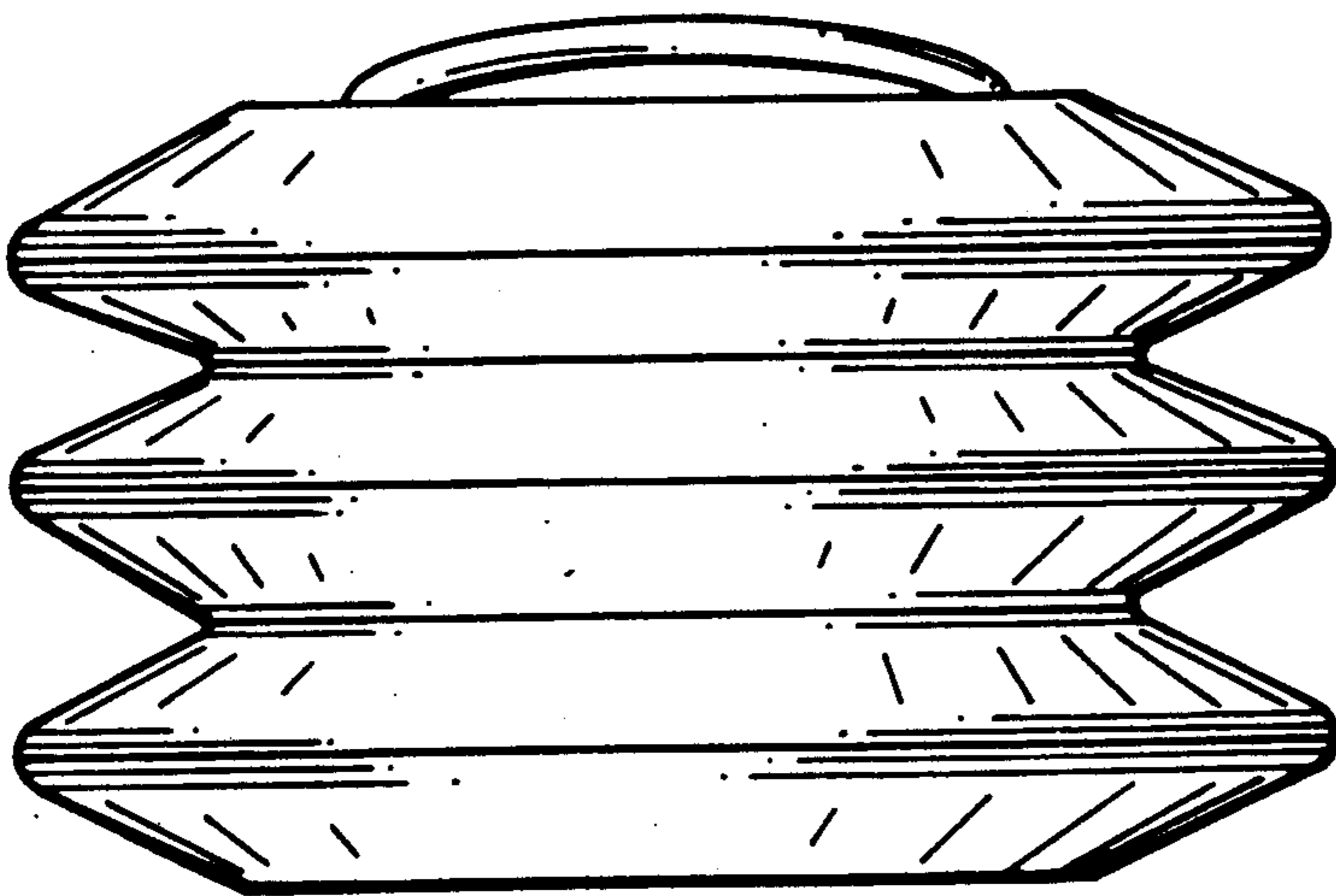


Fig. 7