

[54] **RADON MONITOR**
[75] **Inventor: Robert W. Ramsey, Jr., Damascus, Md.**
[73] **Assignee: Rad Elec Inc., Frederick, Md.**
[**] **Term: 14 Years**
[21] **Appl. No.: 317,791**
[22] **Filed: Mar. 2, 1989**
[52] **U.S. Cl. D10/47**
[58] **Field of Search D10/46, 47; 73/864.52; 220/48, 214; 250/253, 255, 256, 257, 261, 269, 270, 336.1, 337, 374, 376, 472.1**

4,948,970 8/1990 Port et al. 250/472.1 X
4,980,550 12/1990 Port et al. 250/472.1 X

Primary Examiner—Nelson C. Holtje
Assistant Examiner—Antoine D. Davis
Attorney, Agent, or Firm—Cushman, Darby & Cushman

[57] **CLAIM**

The ornamental design for a radon monitor, as shown and described.

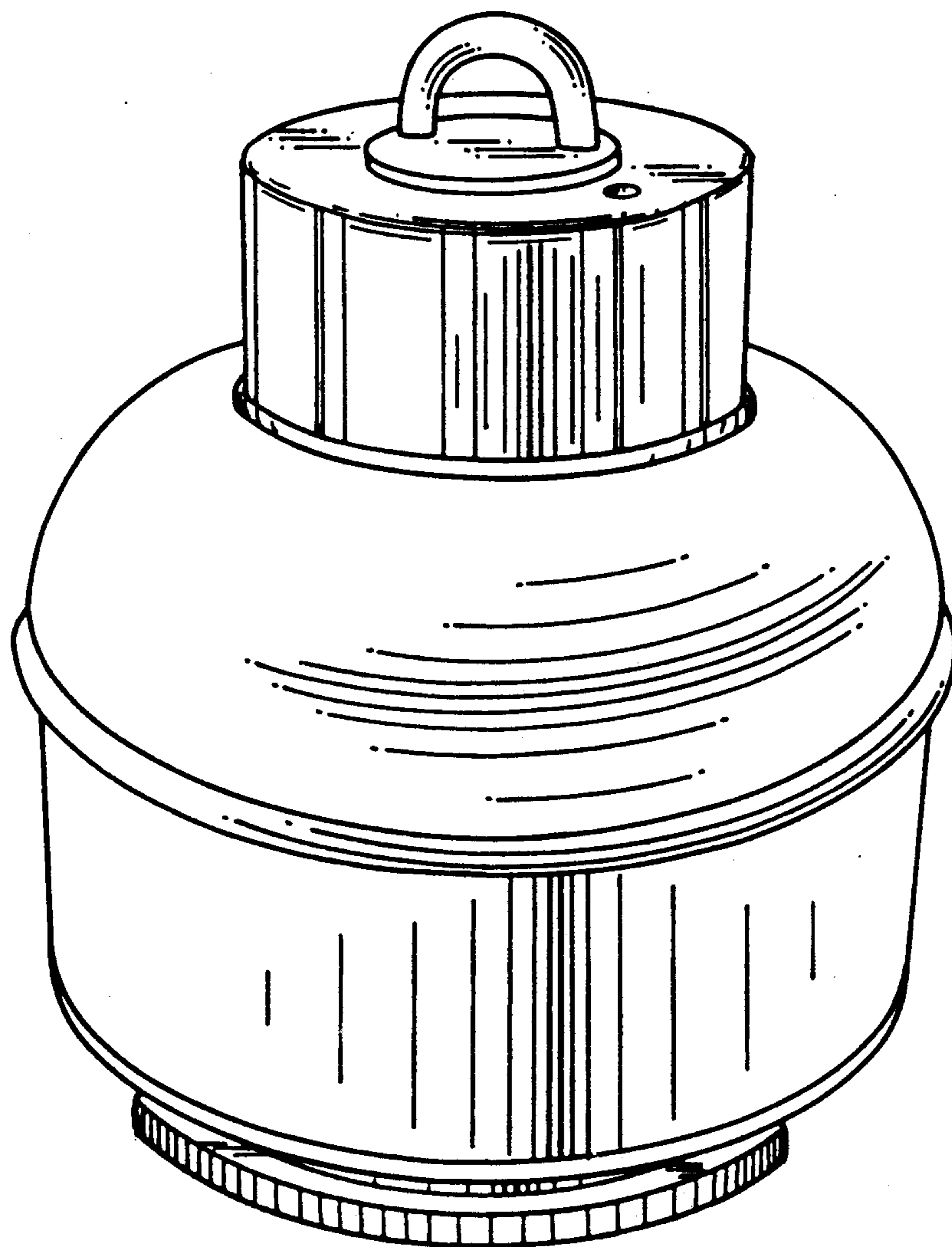
DESCRIPTION

FIG. 1 is a top and front perspective view of a radon monitor showing my new design;
FIG. 2 is a top plan view;
FIG. 3 is a front elevational view, the rear elevational view being a mirror image;
FIG. 4 is a left side elevational view, the right side elevational view being identical; and
FIG. 5 is a bottom plan view thereof.
The back side is identical in appearance to the front side and the left side is identical in appearance to the right side.

[56] **References Cited**

U.S. PATENT DOCUMENTS

D. 259,865	7/1981	Struby	D10/47
D. 269,858	7/1983	Alter	D10/47
4,518,860	5/1985	Alter et al.	250/253
4,814,608	3/1989	Dempsey et al.	250/253
4,853,536	8/1989	Dempsey et al.	250/253



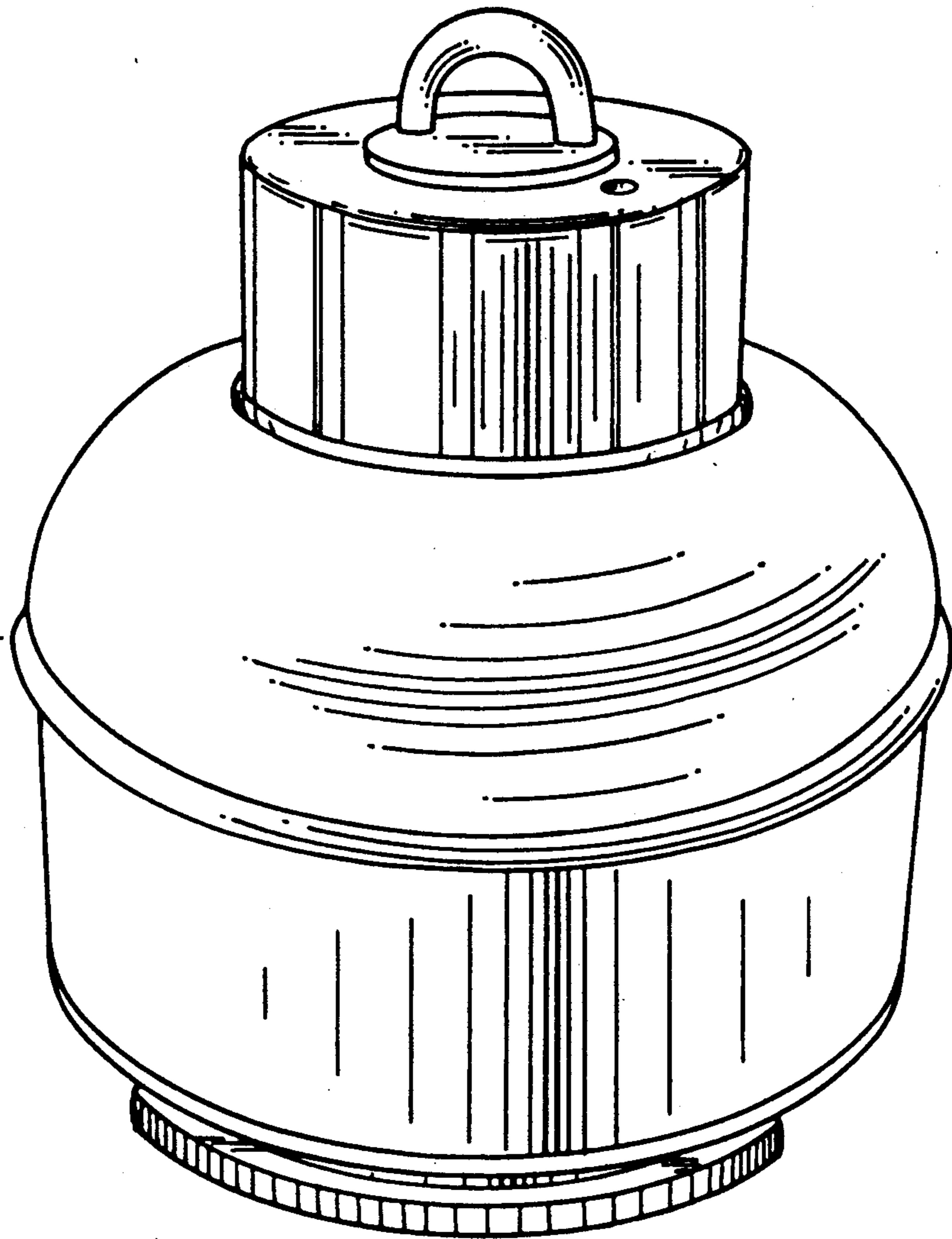


Fig. 1

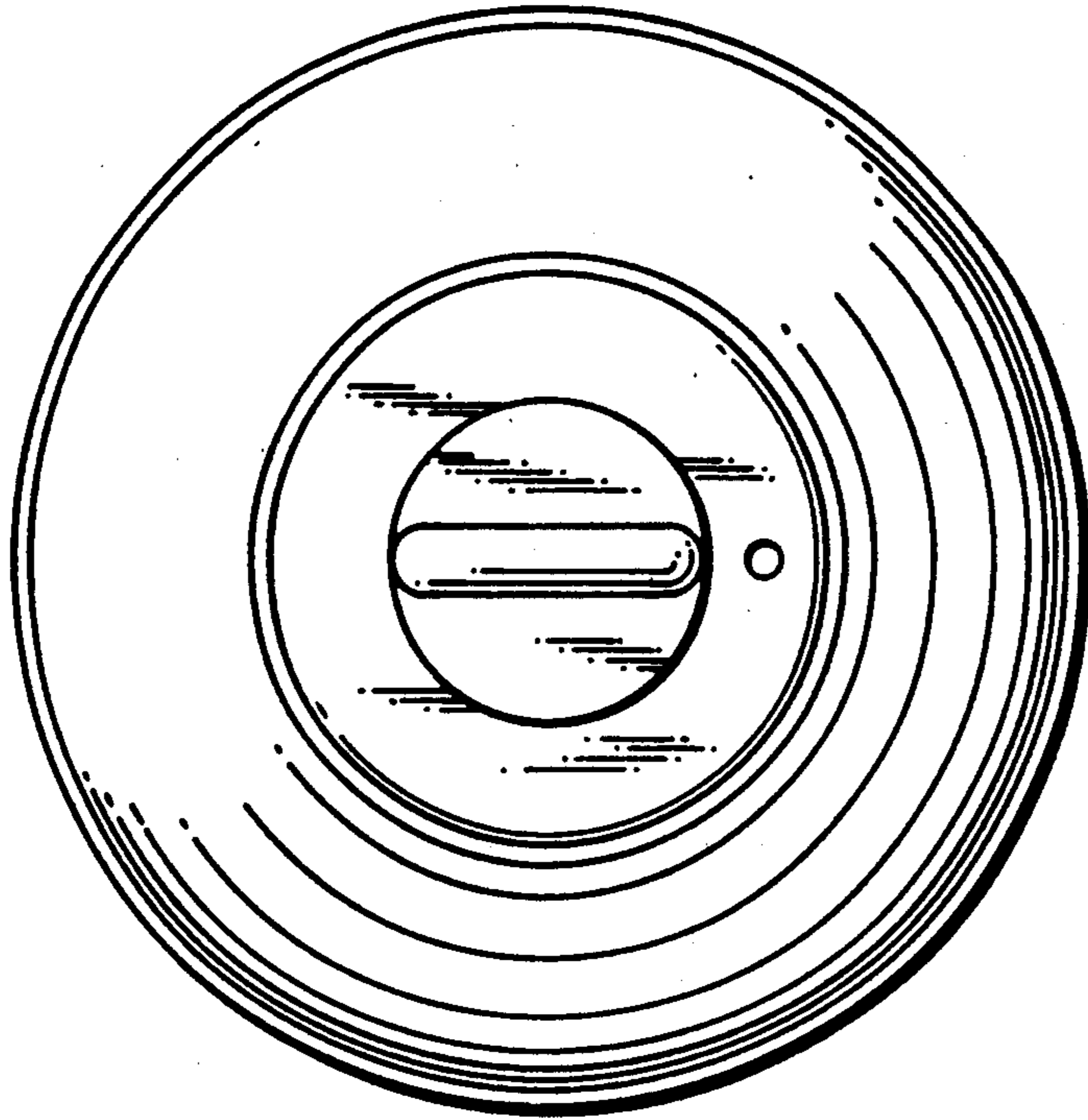


Fig. 2

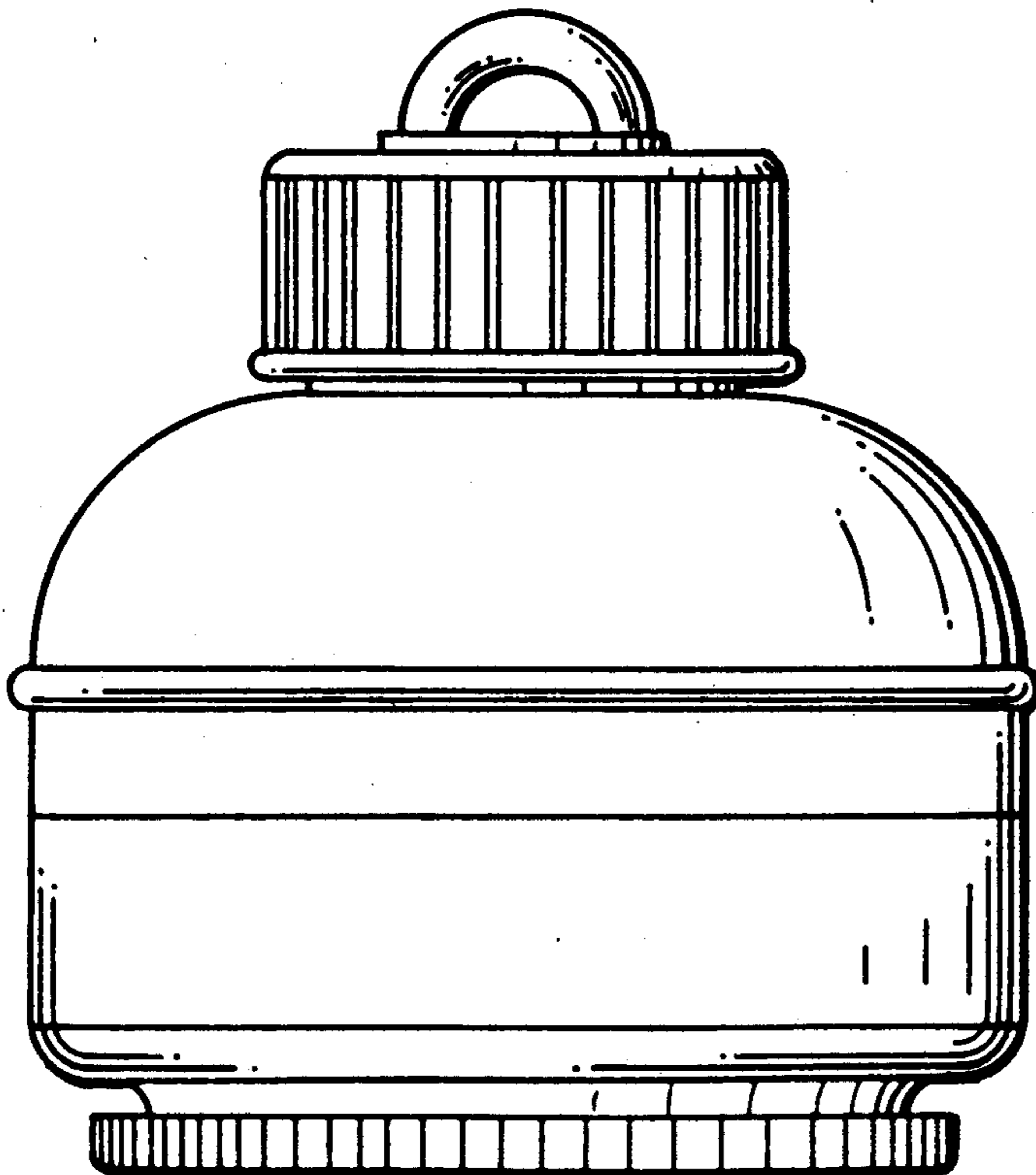


Fig. 3

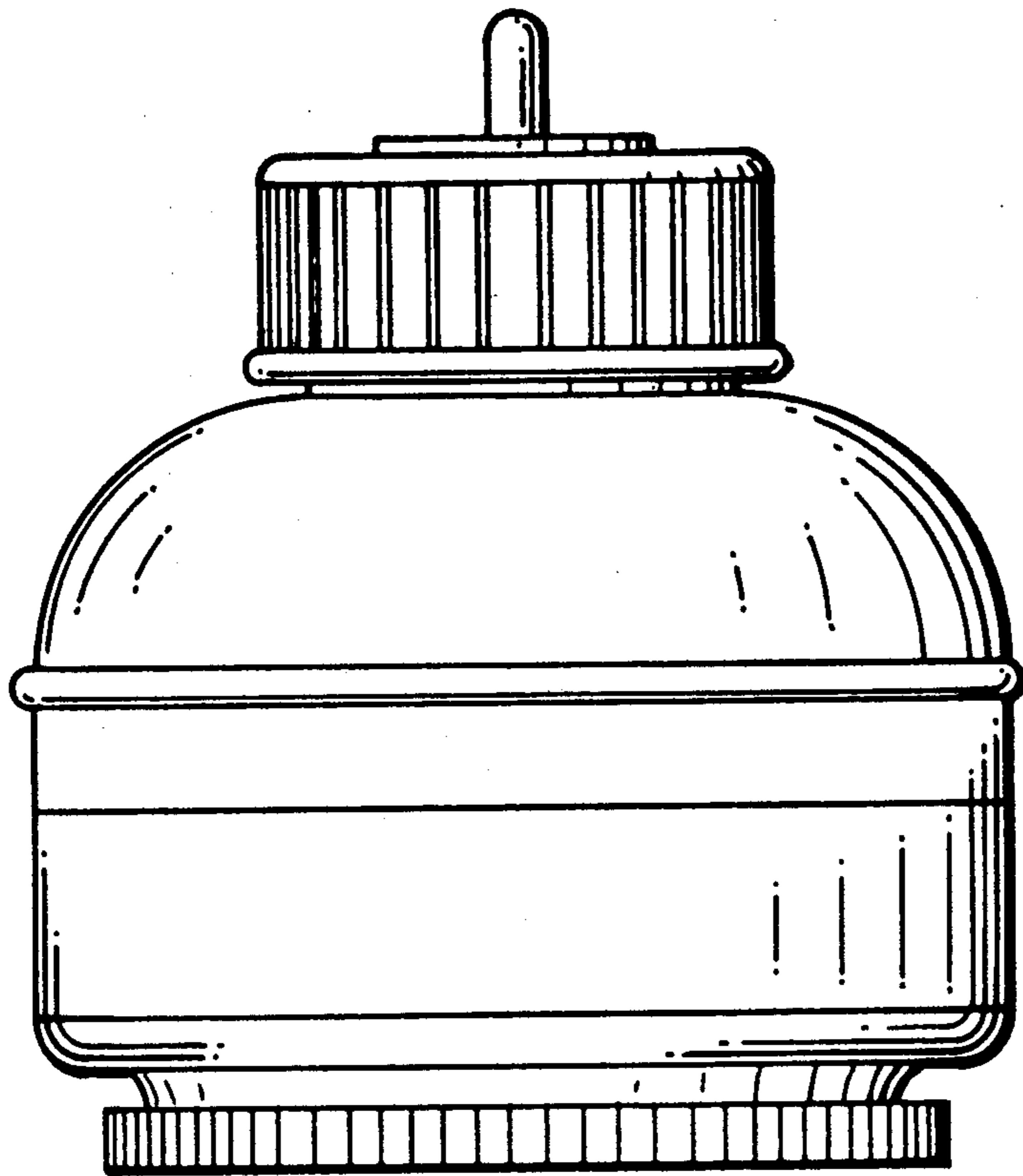


Fig. 4

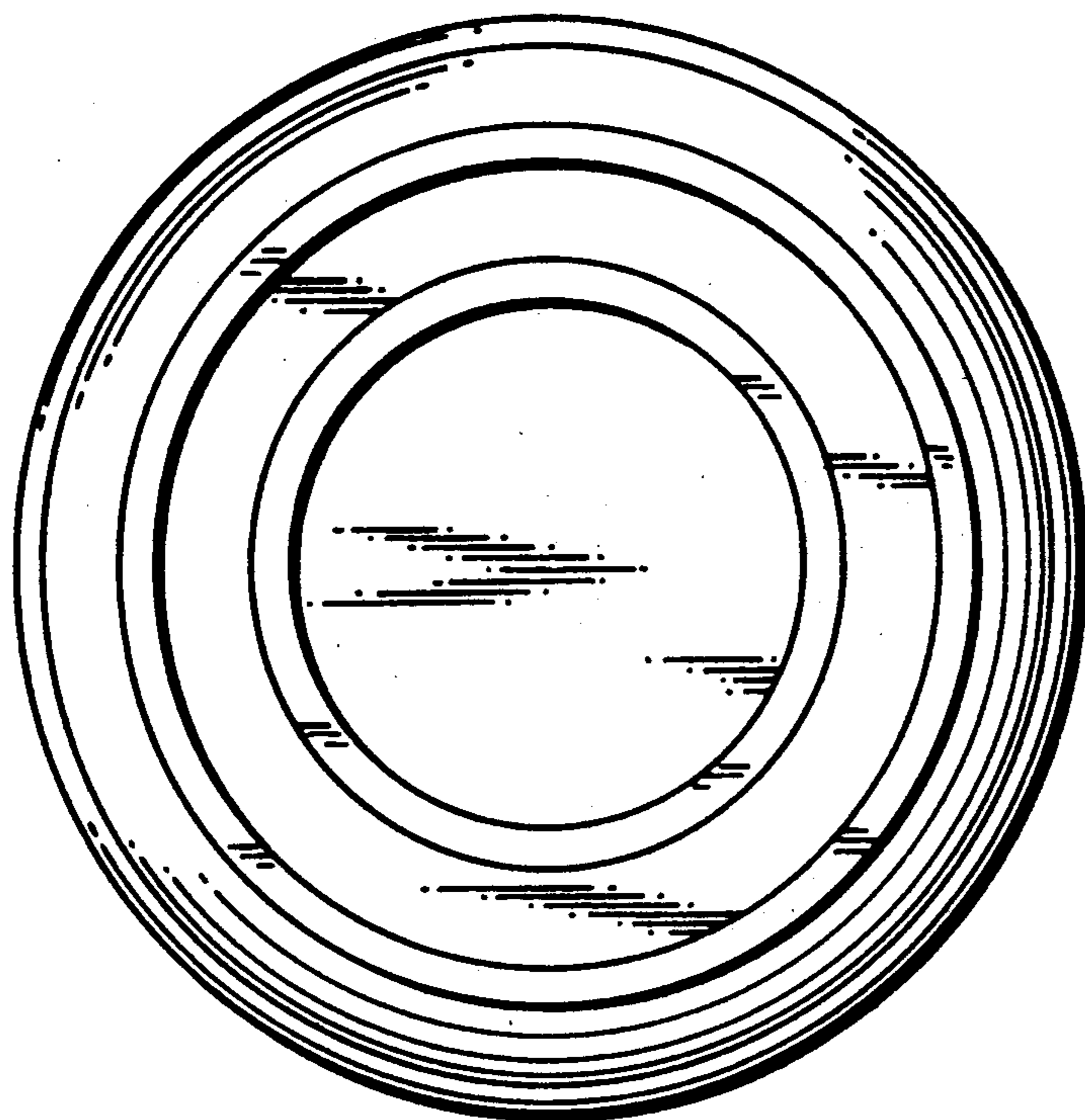


Fig. 5