

[54] ELECTRIC CLOCK

[75] Inventor: Maarten W. van Lelyveld, Drachten,
Netherlands

[73] Assignee: U.S. Philips Corporation, New York,
N.Y.

[**] Term: 14 Years

[21] Appl. No.: 216,741

[22] Filed: Jul. 7, 1988

[30] Foreign Application Priority Data

Jan. 27, 1988 [GB] United Kingdom 1048054

[52] U.S. Cl. D10/15; D10/18

[58] Field of Search D10/1-39,
D10/122-132; 368/82-84, 239-242, 276-277,
280-282, 285

[56] References Cited

U.S. PATENT DOCUMENTS

D. 252,801 9/1979 Usuda D10/15
D. 255,433 6/1980 Anderson D10/18 X
D. 264,823 6/1982 Satoh D10/15
D. 301,839 6/1989 Houlihan D10/15
D. 304,691 11/1989 Kubo D10/2 X
D. 307,723 5/1990 Chan D10/15

Primary Examiner—Nelson C. Holtje
Attorney, Agent, or Firm—Jack E. Haken

[57] CLAIM

The ornamental design for an electric clock, as shown
and described.

DESCRIPTION

FIG. 1 is a top front perspective view of an electric
clock showing my new design in a partially open posi-
tion;

FIG. 2 is a bottom front perspective view thereof in a
fully open position;

FIG. 3 is a top rear perspective view thereof in a fully
open position;

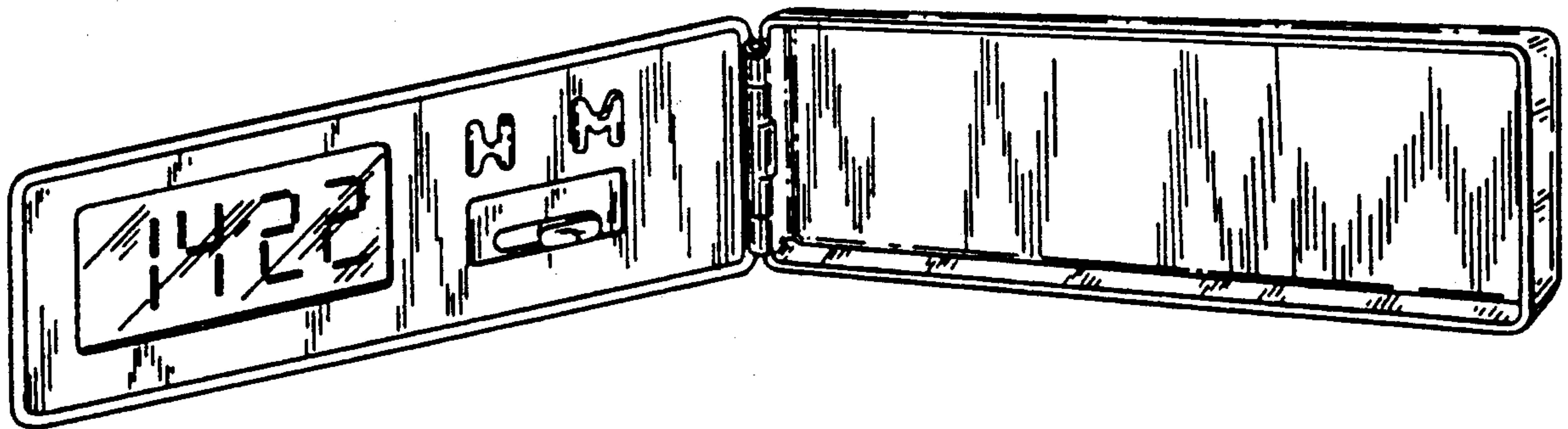
FIG. 4 is a left side elevational view thereof in the fully
closed position;

FIG. 5 is a top front perspective view of a second em-
bodiment of my new design of FIGS. 1-4 in a partially
open position;

FIG. 6 is a top-rear perspective view thereof;

FIG. 7 is a top front perspective view of a third embodi-
ment of my new design of FIGS. 1-4 in a partially open
position;

FIG. 8 is a rear perspective view thereof in a closed
position, the other half of the case being identical
thereto.



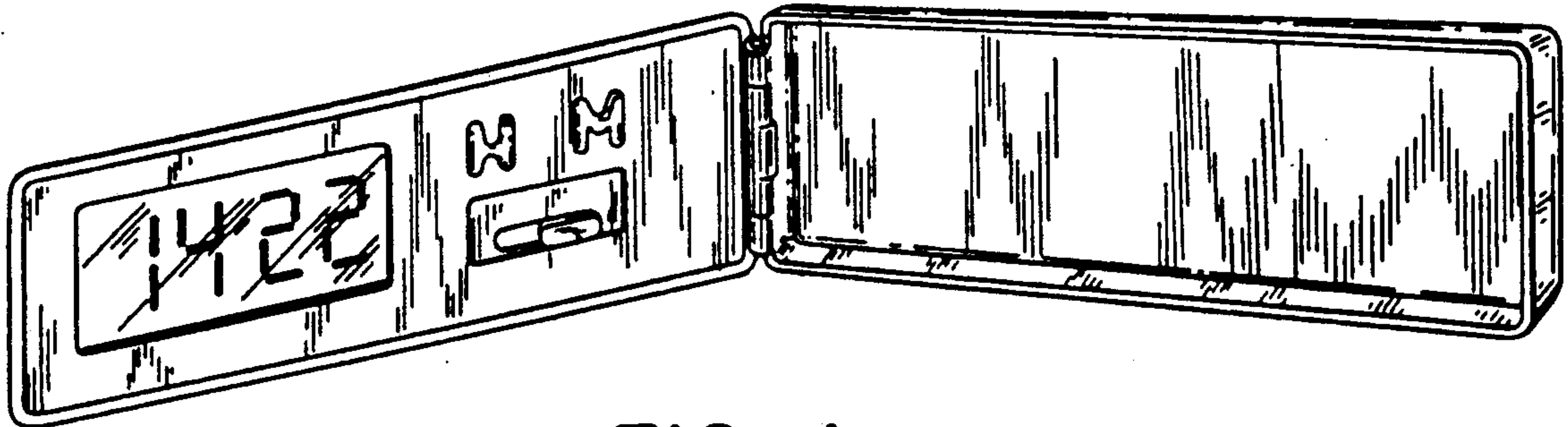


FIG. 1

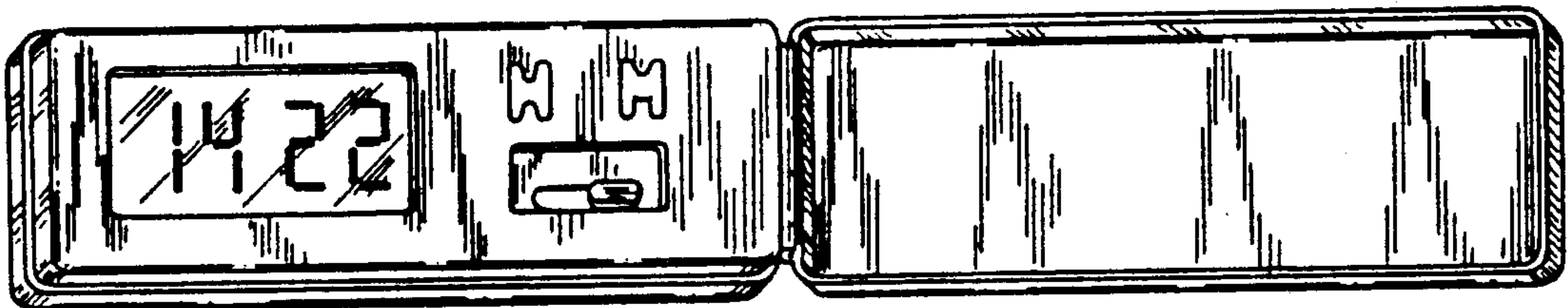


FIG. 2

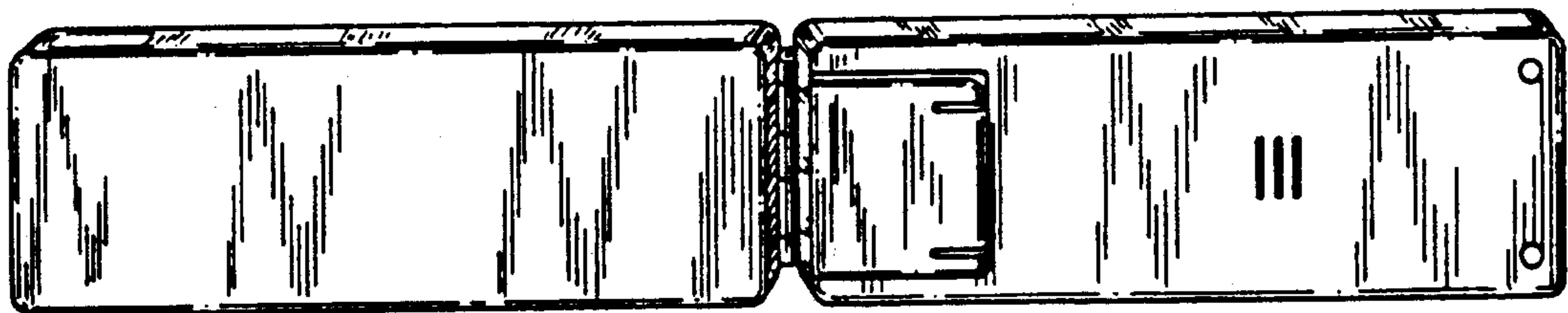


FIG. 3

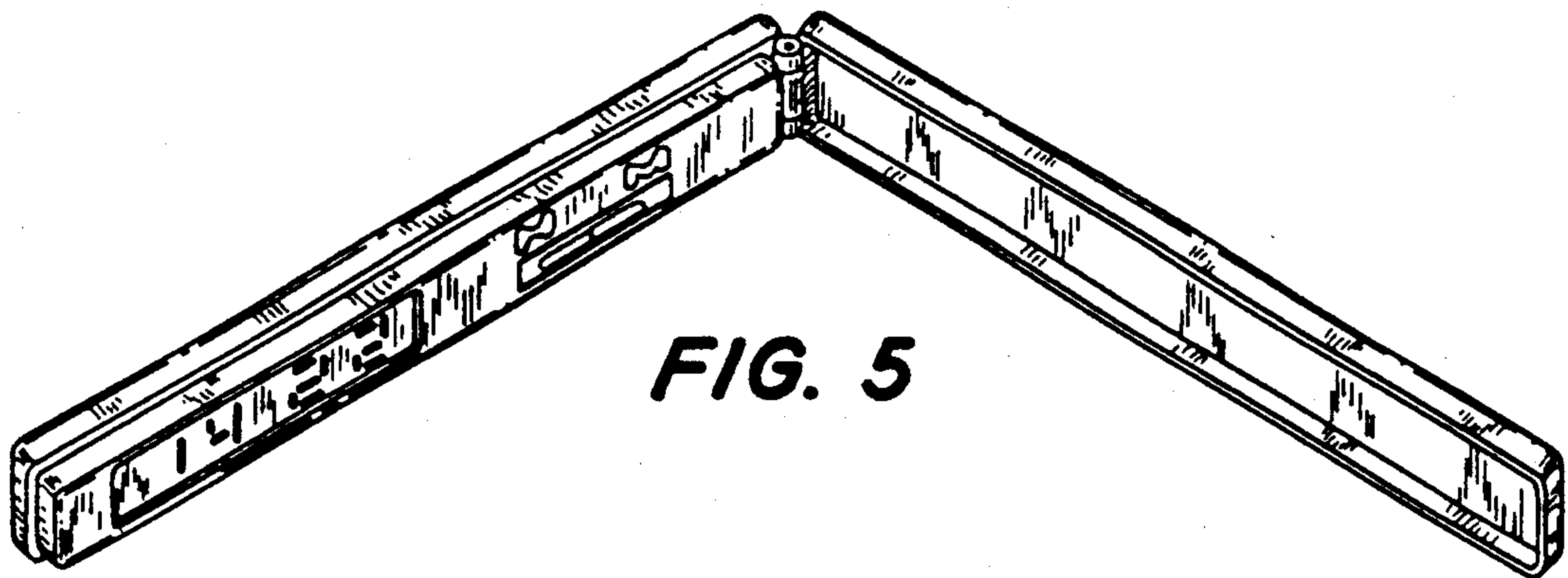


FIG. 5

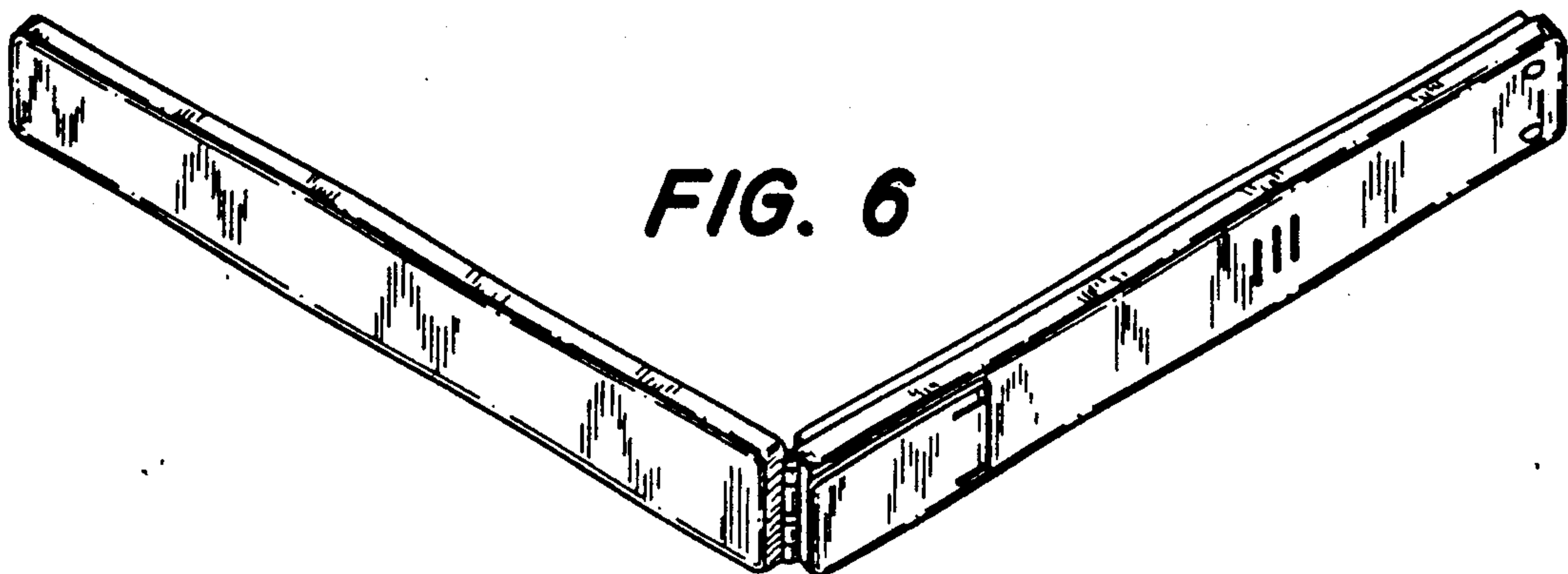


FIG. 6

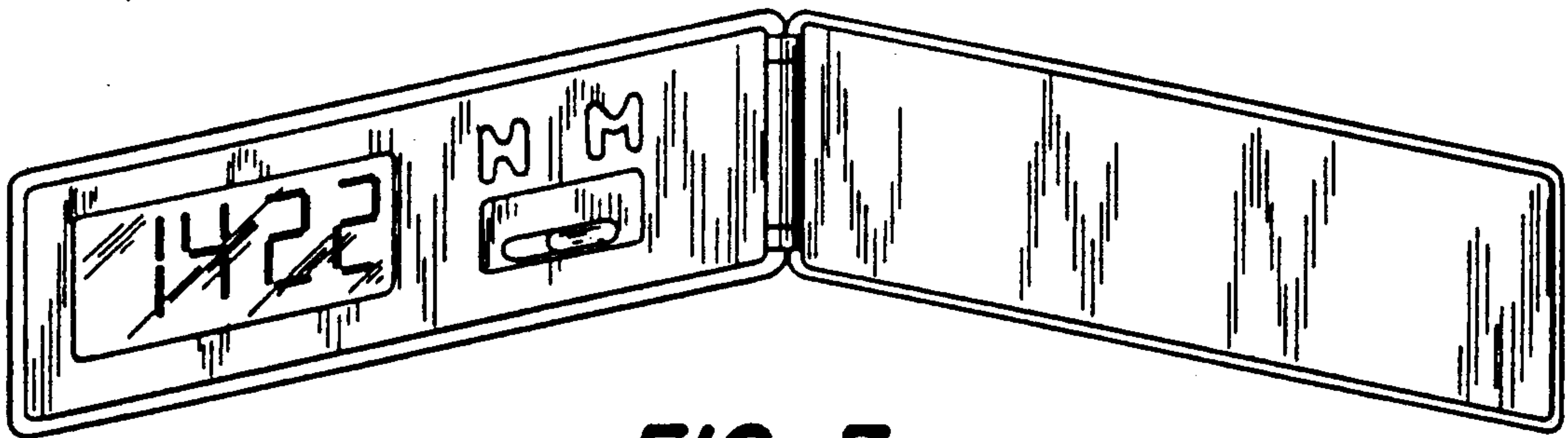


FIG. 7



FIG. 8



FIG. 4