

[54] **CONTAINER HOLDER**

[76] **Inventor: Keith D. Patterson, 224 Fifth St., Providence, R.I. 02906**

[**] **Term: 14 Years**

[21] **Appl. No.: 252,718**

[22] **Filed: Oct. 3, 1988**

[52] **U.S. Cl. D9/455; D7/622**

[58] **Field of Search D9/434, 455, 370; D7/616, 619, 622; 206/154, 162, 168; 215/100 A, 100 R; 220/85 R, 94 R, 94 B, 96**

[56] **References Cited**

U.S. PATENT DOCUMENTS

D. 180,195	4/1957	Mitchell	D7/622
D. 184,673	3/1959	Frasure	D7/622
D. 194,365	1/1963	Cicholtz	D7/622
D. 219,395	12/1970	Didion	D7/622
D. 258,490	3/1981	Stumler	D9/370
D. 270,029	8/1983	McLean	D7/622
D. 286,509	11/1986	Havis	D9/455
2,810,503	10/1957	Krueger	215/100 A

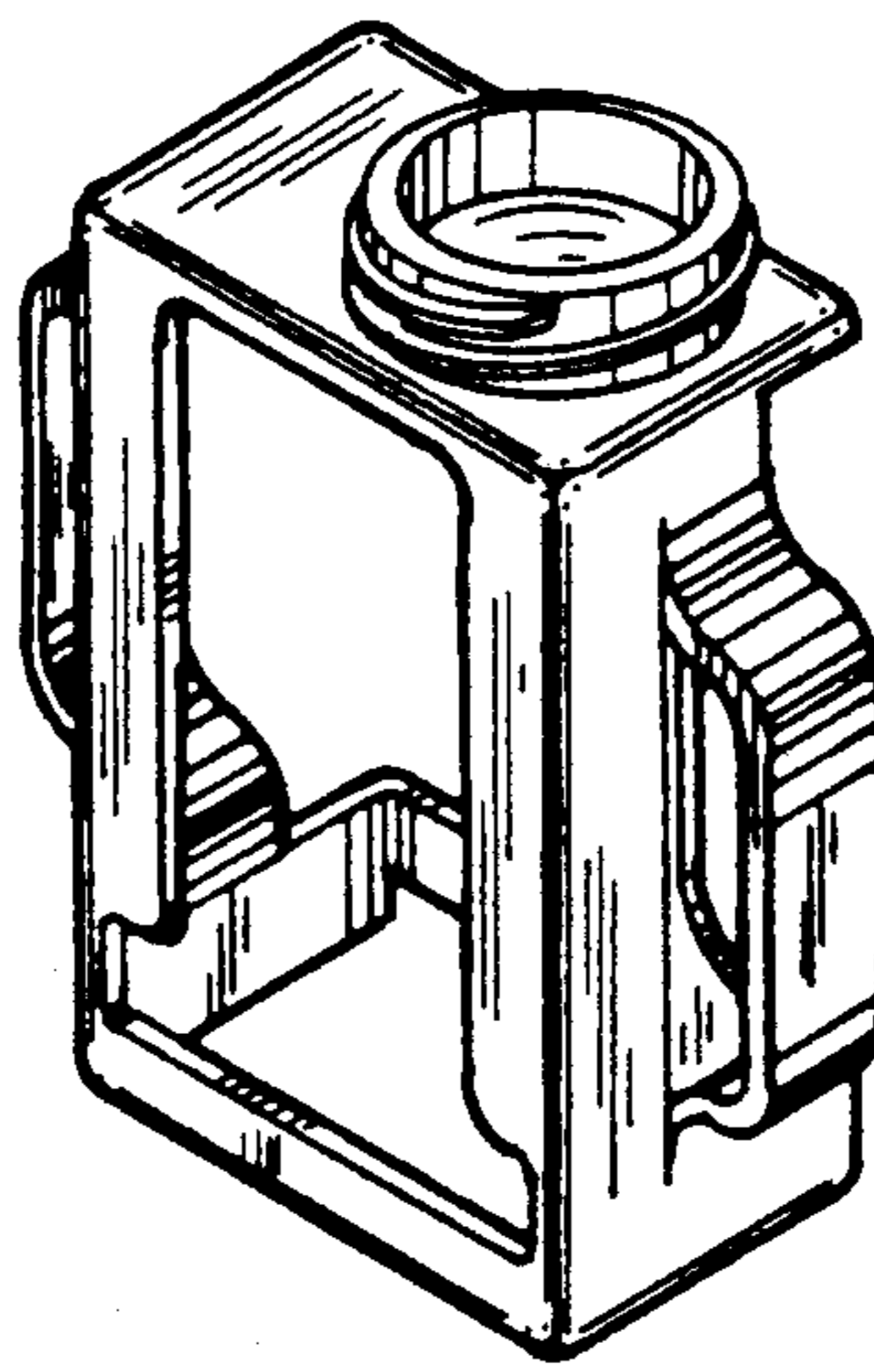
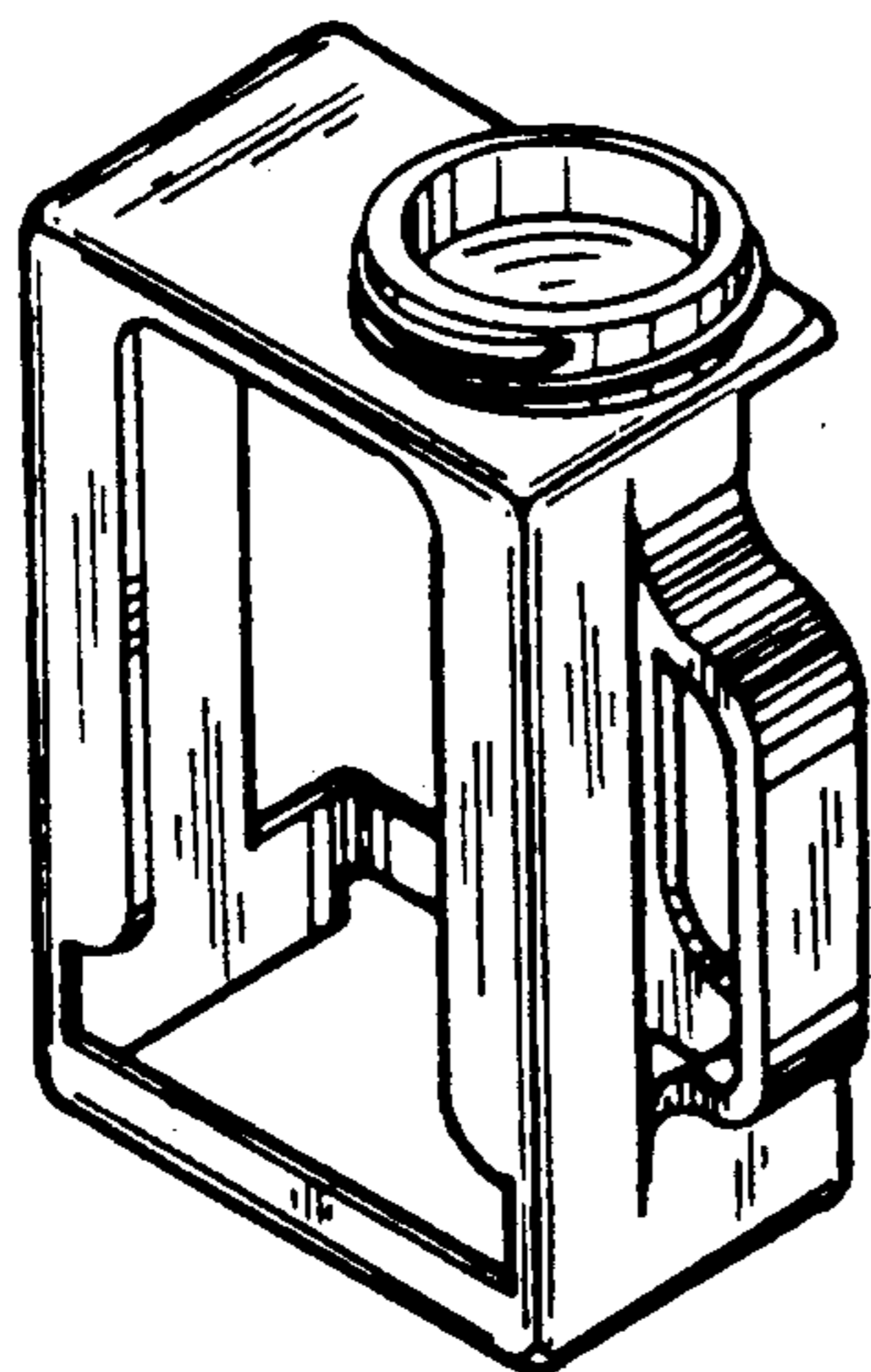
Primary Examiner—B. J. Bullock
Assistant Examiner—Dominic Simone
Attorney, Agent, or Firm—Robert J. Doherty

[57] **CLAIM**

The ornamental design for a container holder, as shown and described.

DESCRIPTION

FIG. 1 is a front perspective view of a container holder showing my new design;
FIG. 2 is a front elevational view thereof;
FIG. 3 is a rear elevational view thereof;
FIG. 4 is a right side elevational view thereof;
FIG. 5 is a left side elevational view thereof;
FIG. 6 is a top plan view thereof; and
FIG. 7 is a bottom plan view thereof;
FIG. 8 is a front perspective view of a modified form of the container holder shown in FIG. 1;
FIG. 9 is a front elevational view of FIG. 8;
FIG. 10 is a rear elevational view of FIG. 8;
FIG. 11 is a side elevational view of FIG. 8, the opposite side being substantially a mirror image;
FIG. 12 is a top plan view of FIG. 8;
FIG. 13 is a bottom plan view of FIG. 8.



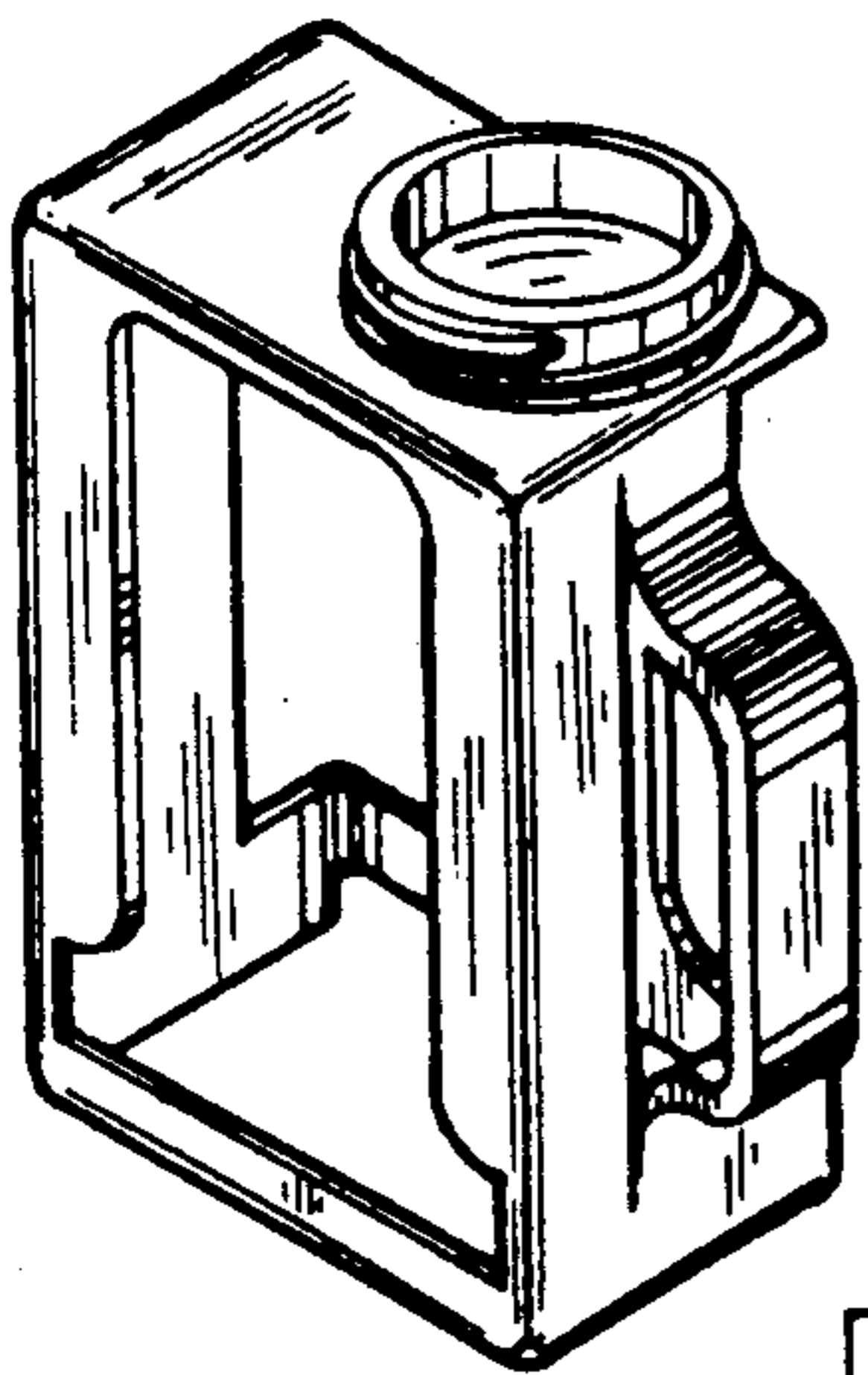


FIG. 1

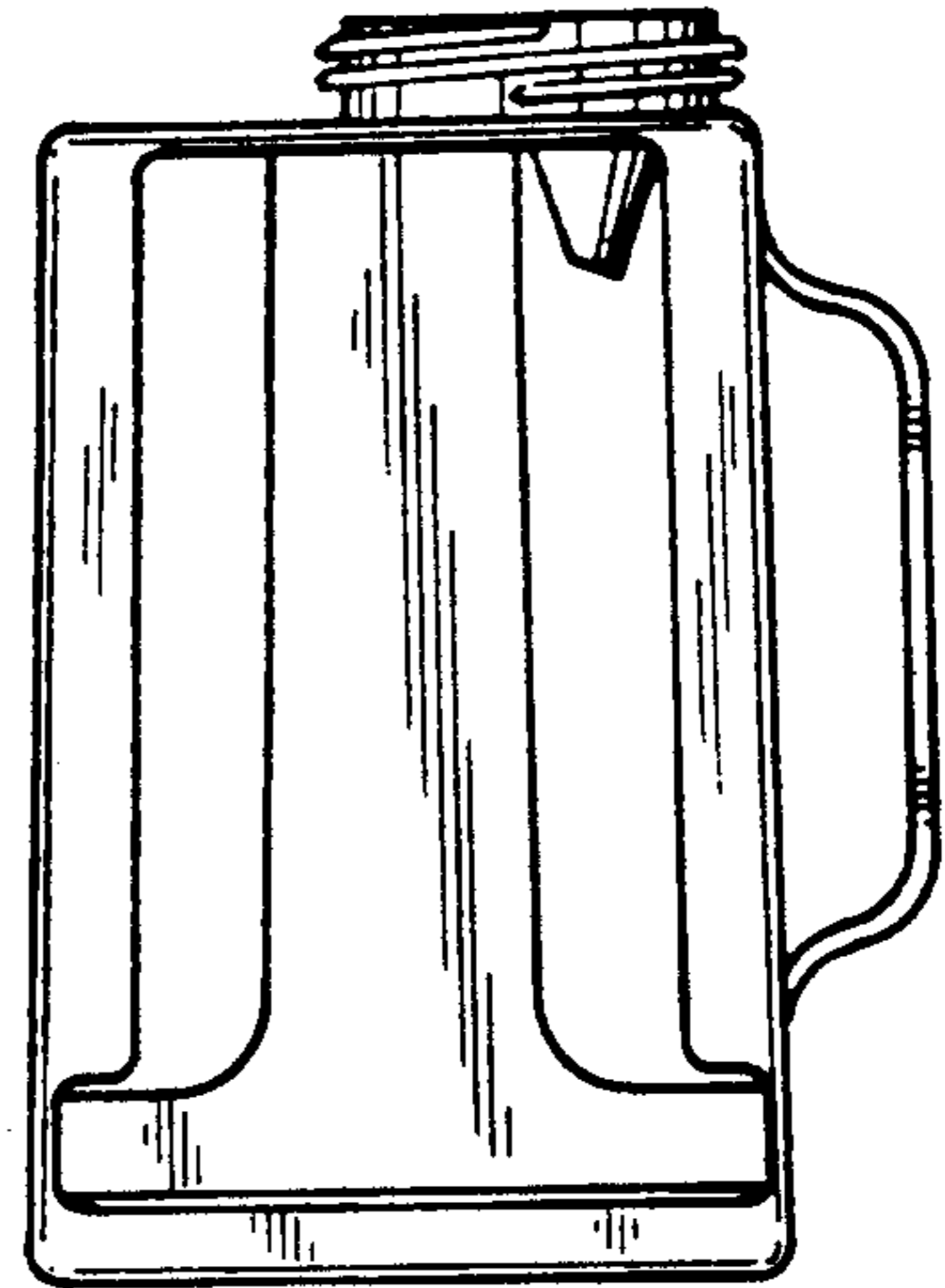


FIG. 2

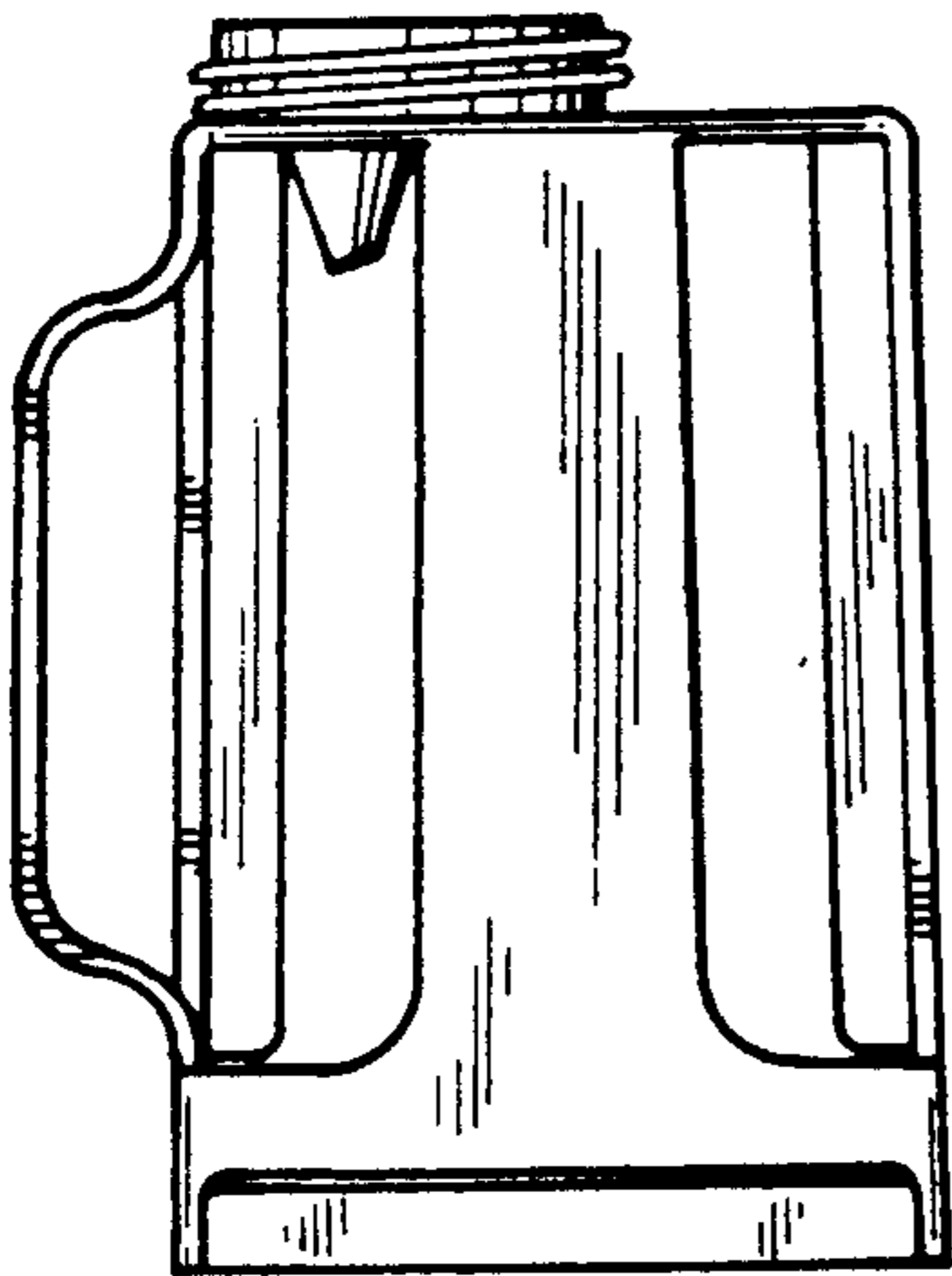


FIG. 3

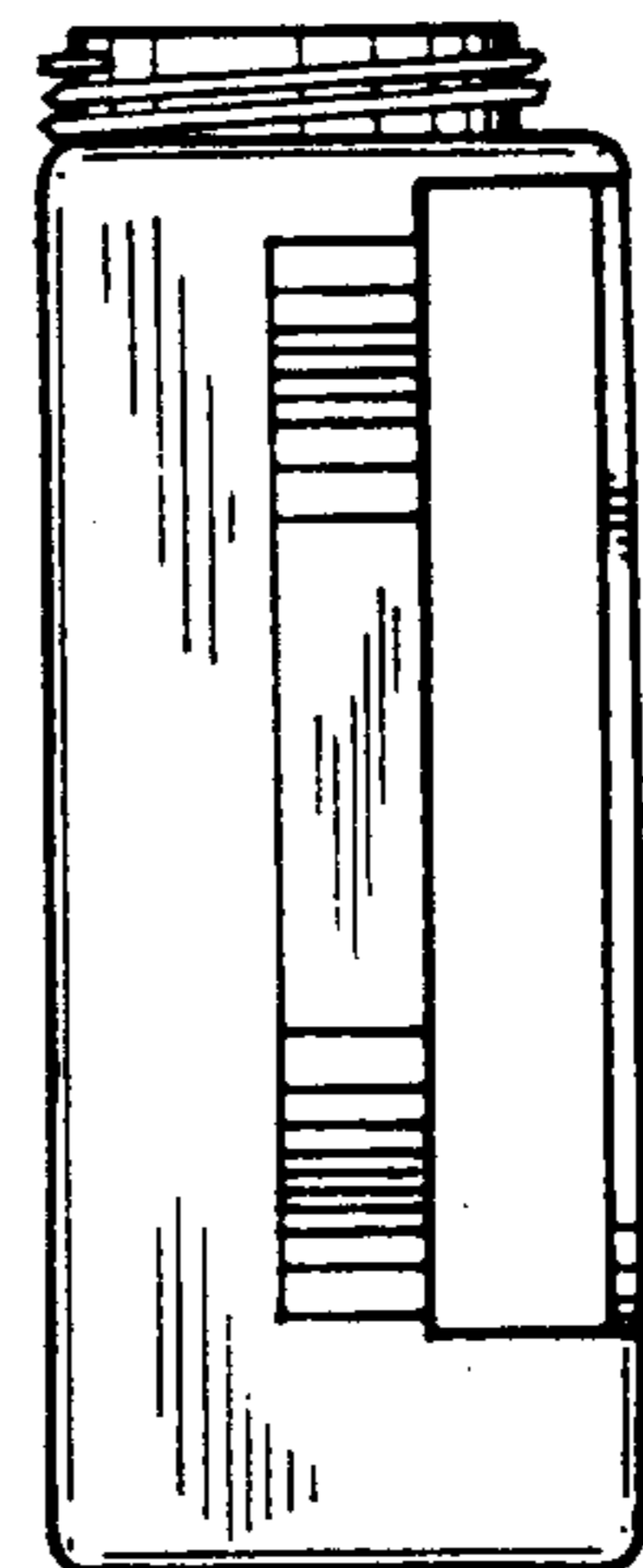


FIG. 4

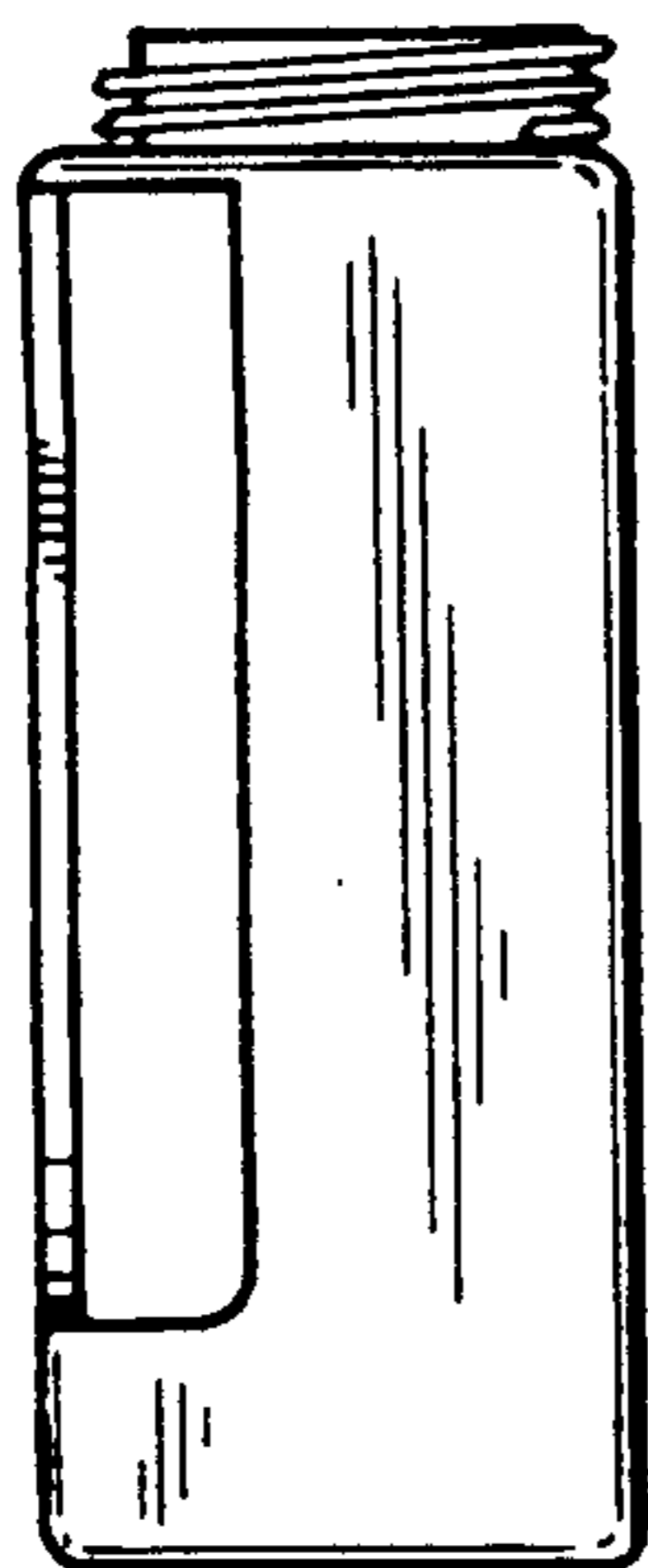


FIG. 5

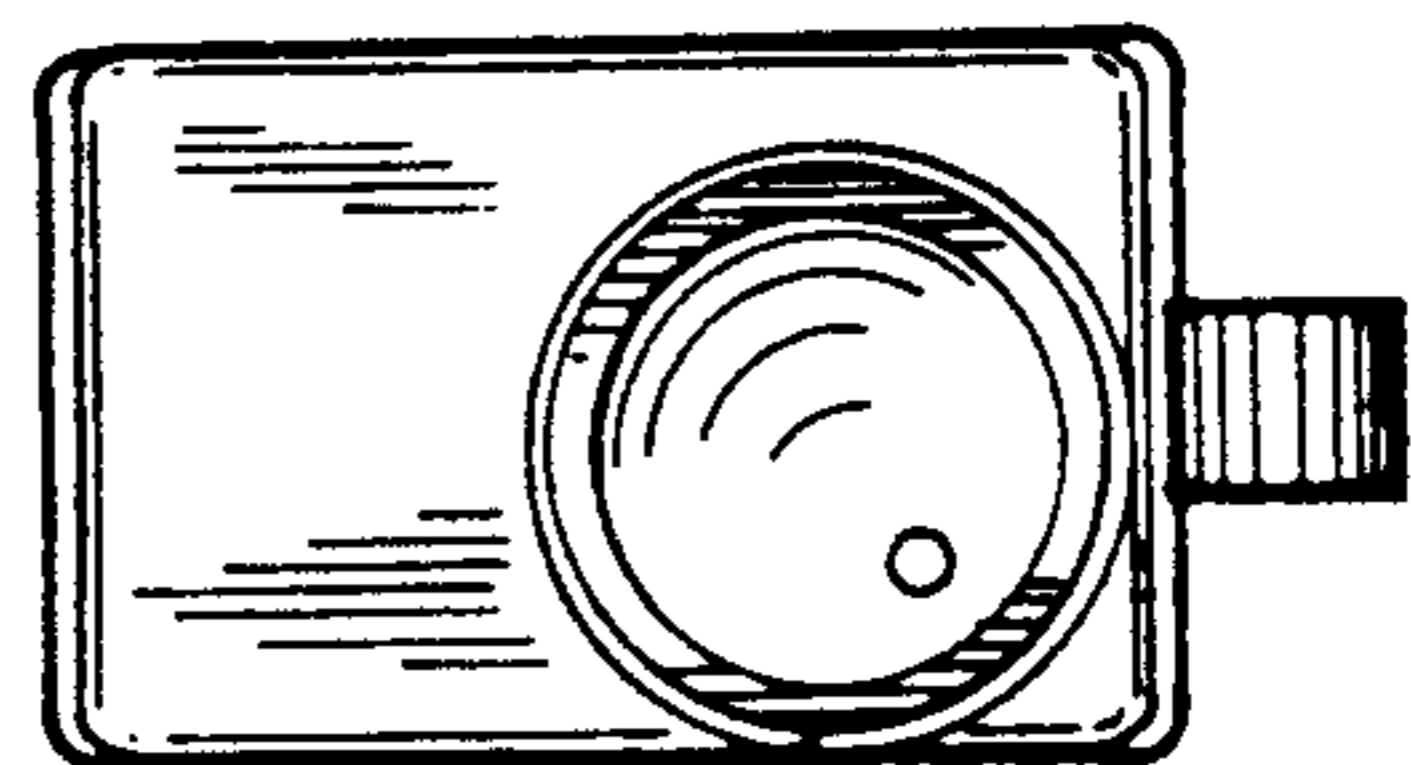


FIG. 6

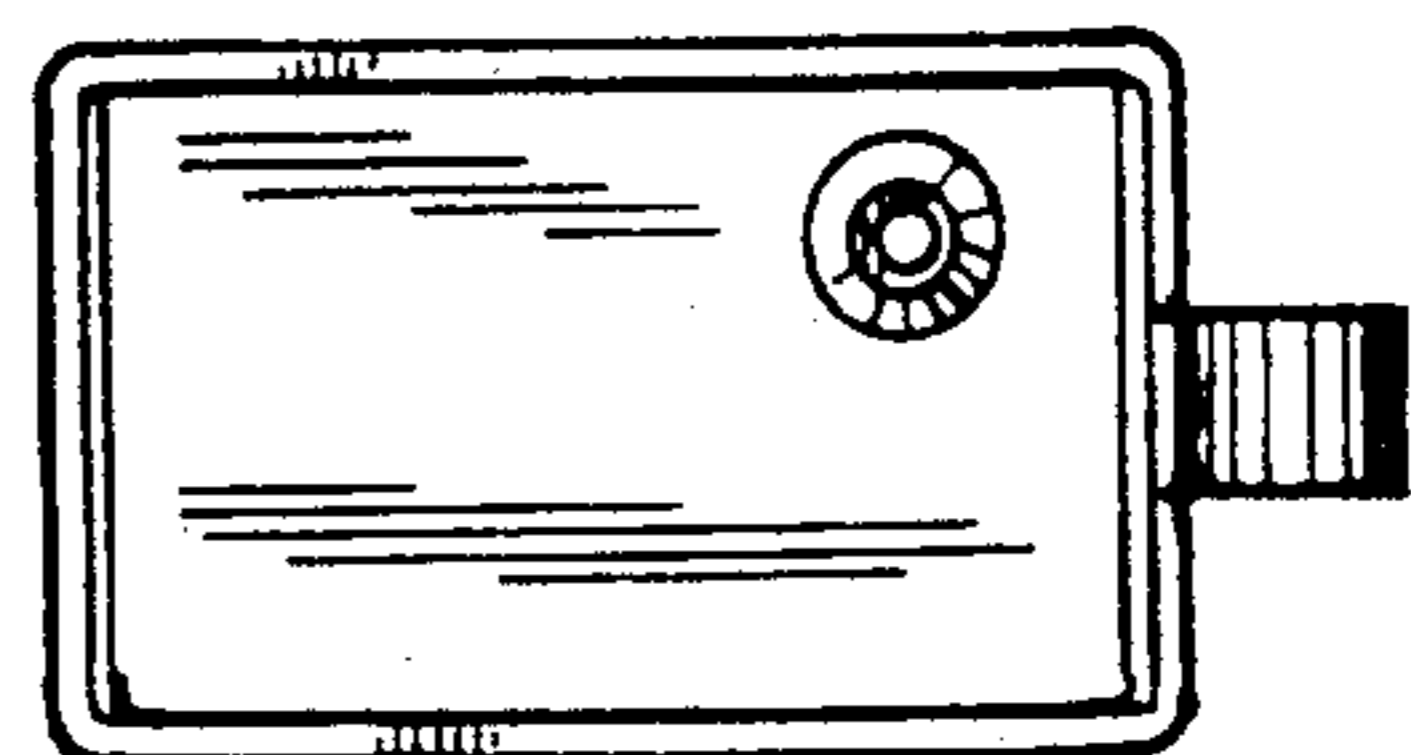


FIG. 7

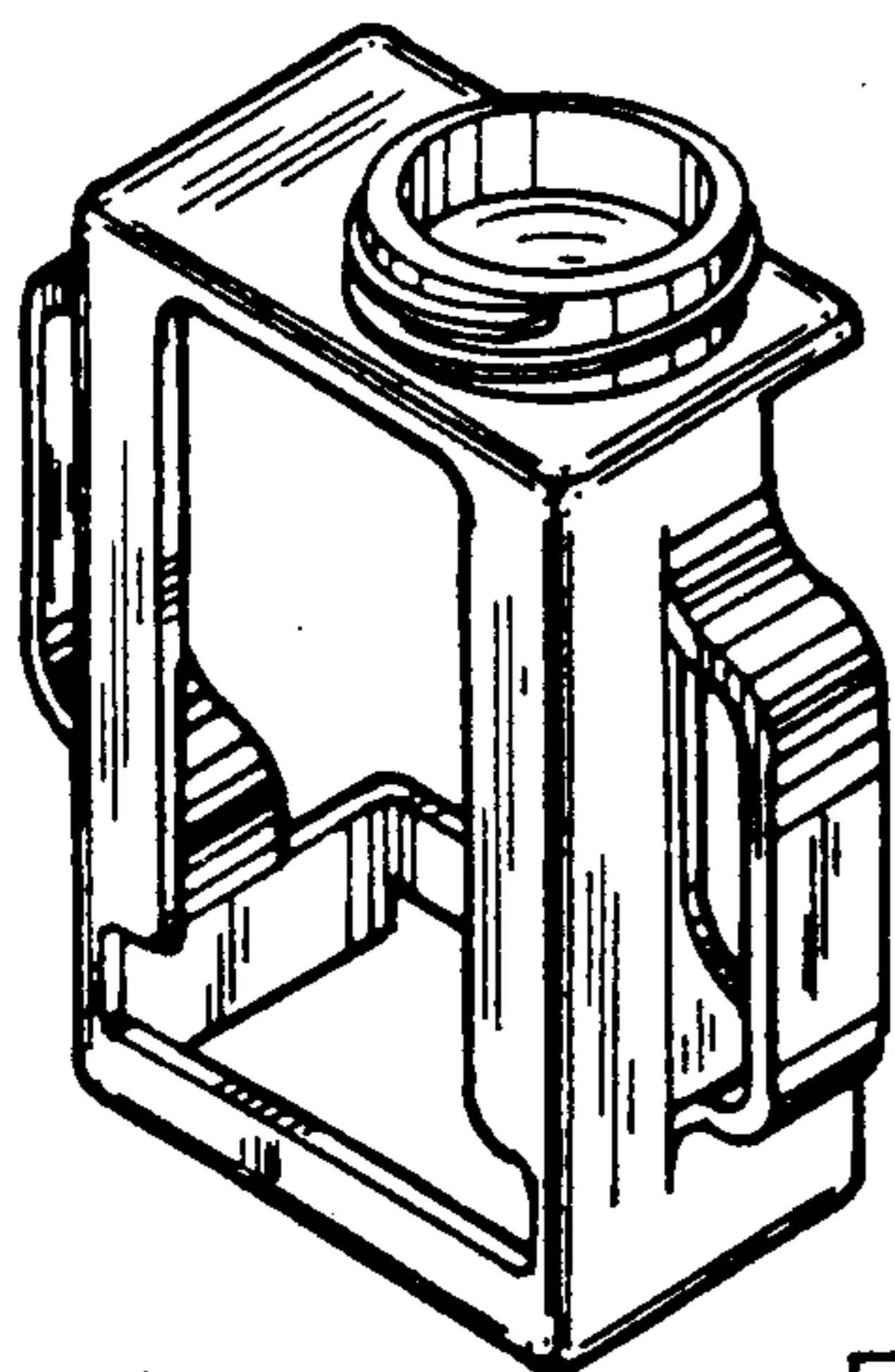


FIG. 8

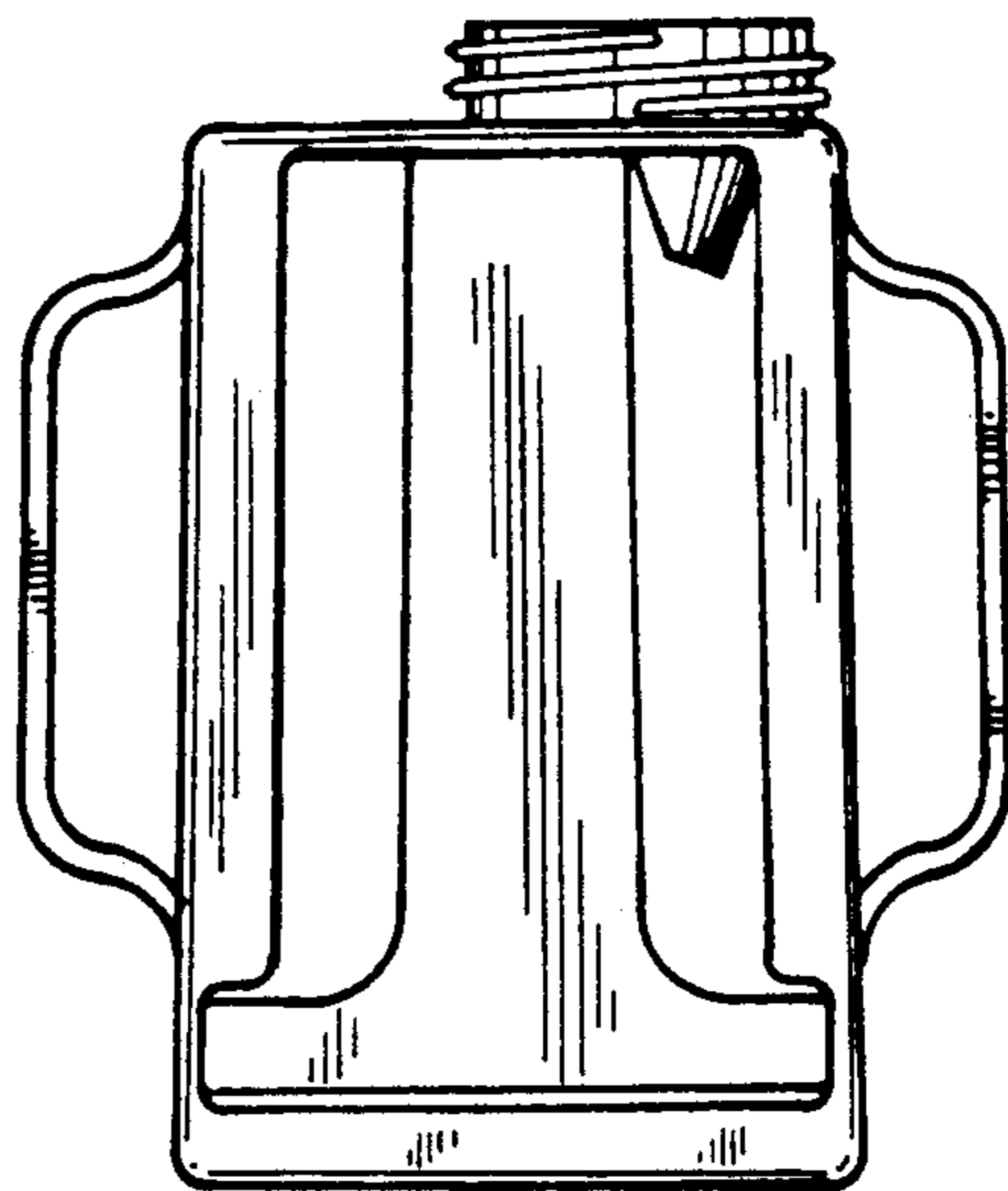


FIG. 9

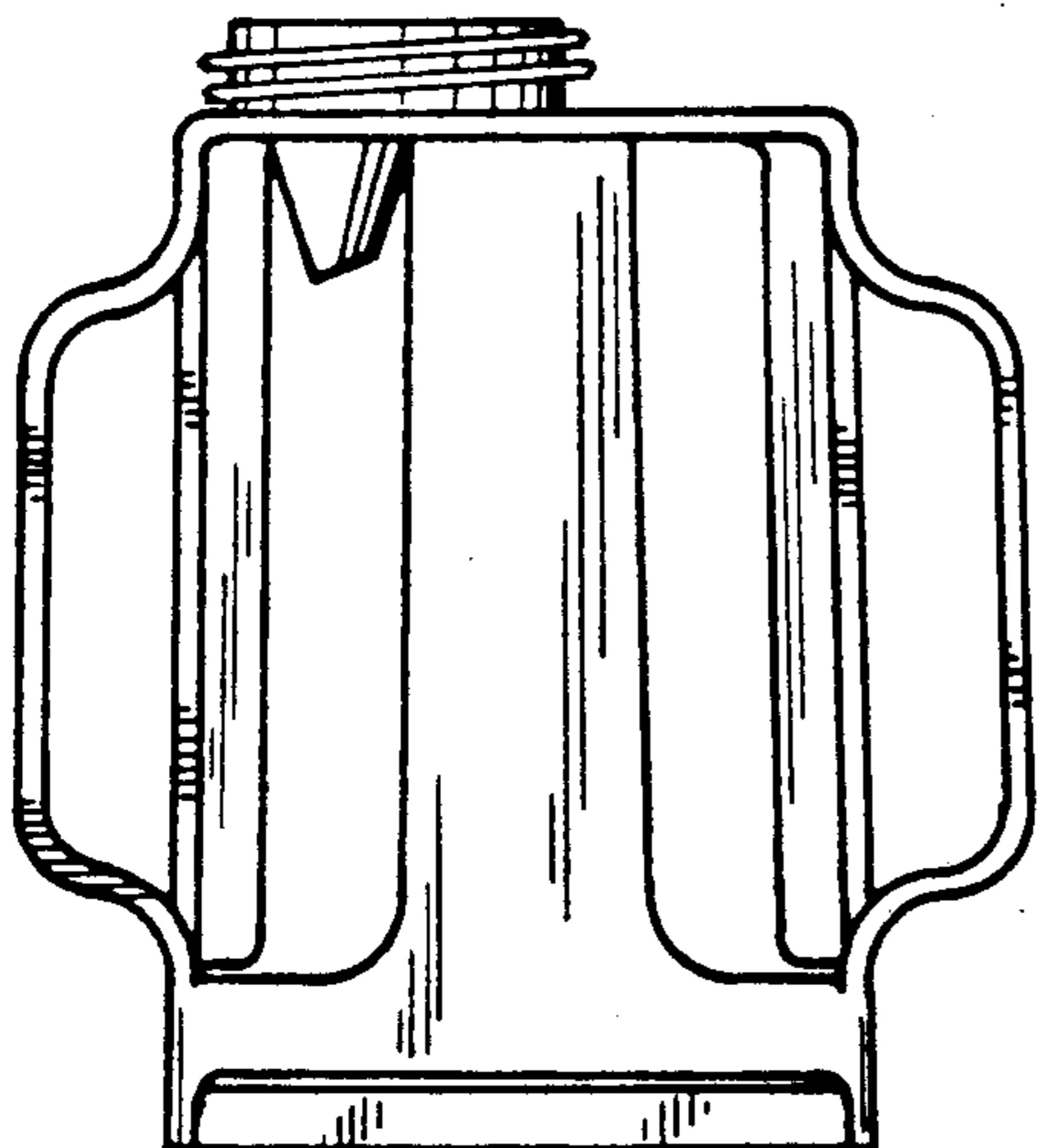


FIG. 10

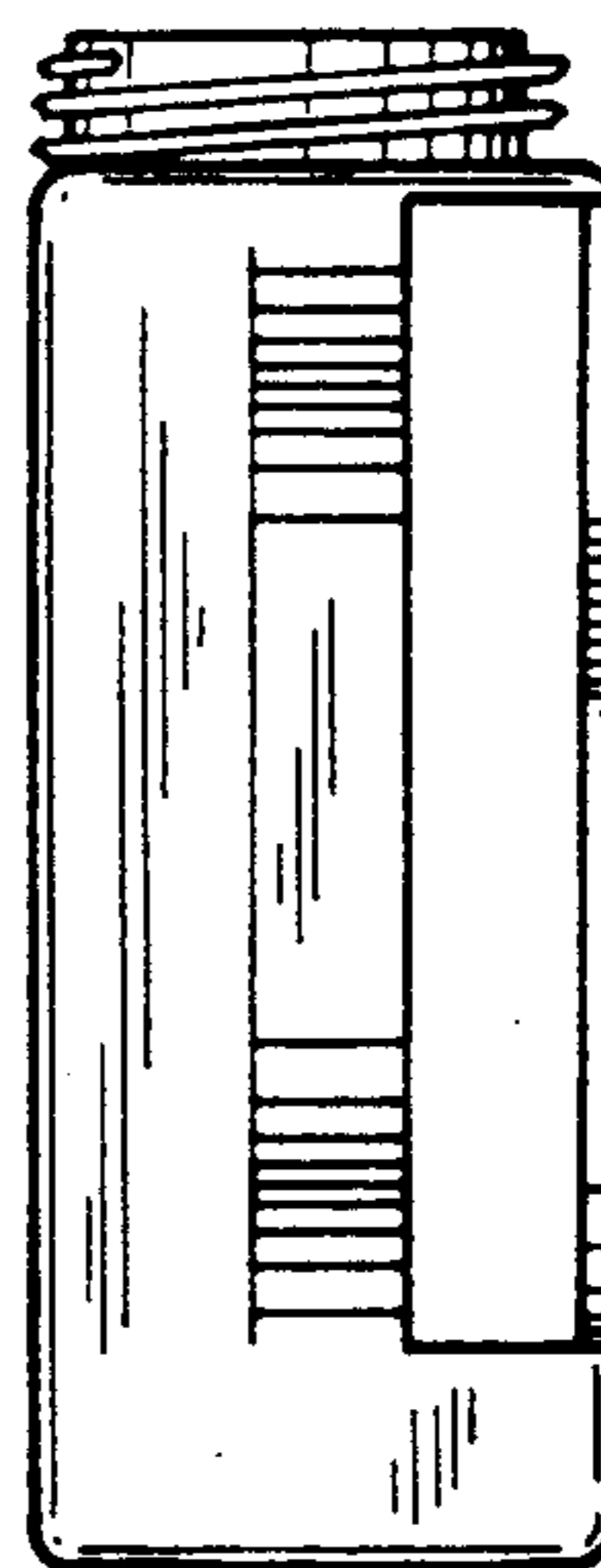


FIG. 11

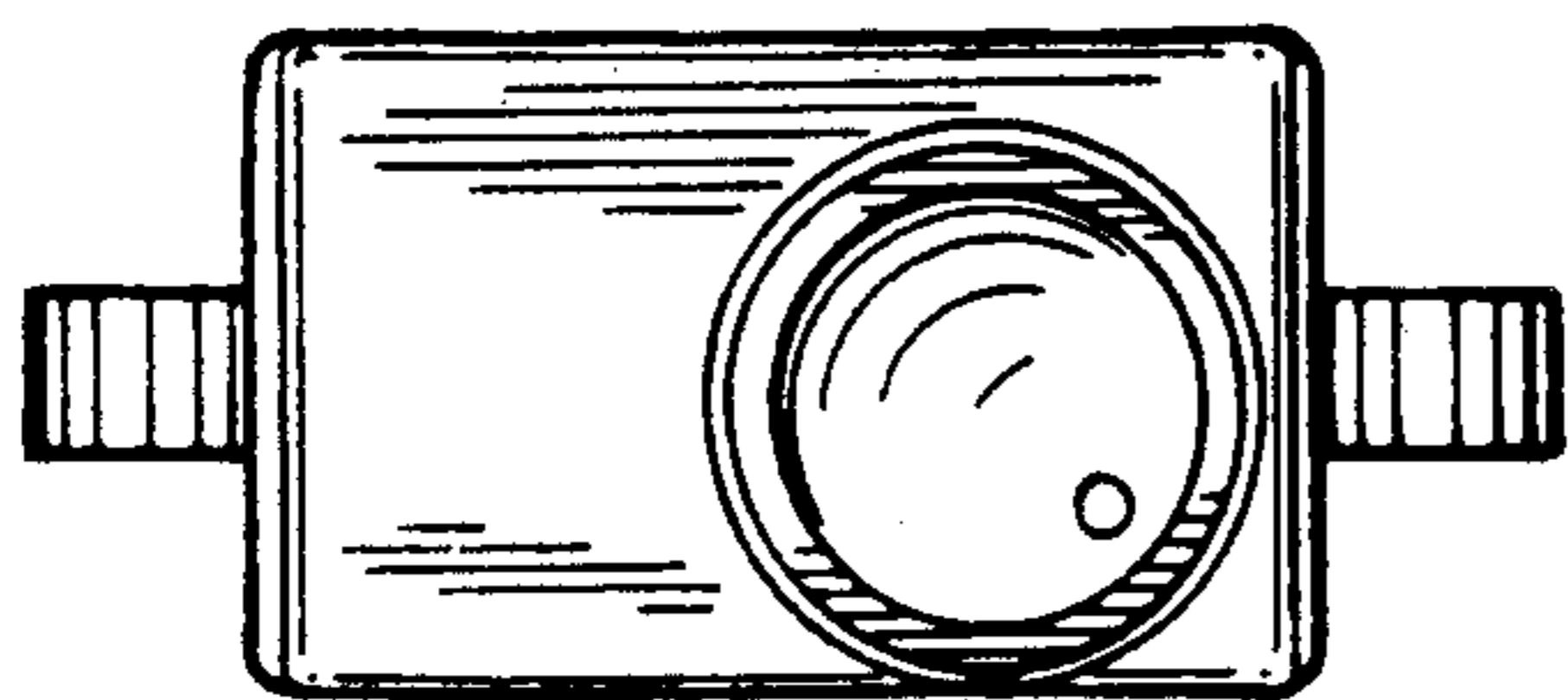


FIG. 12

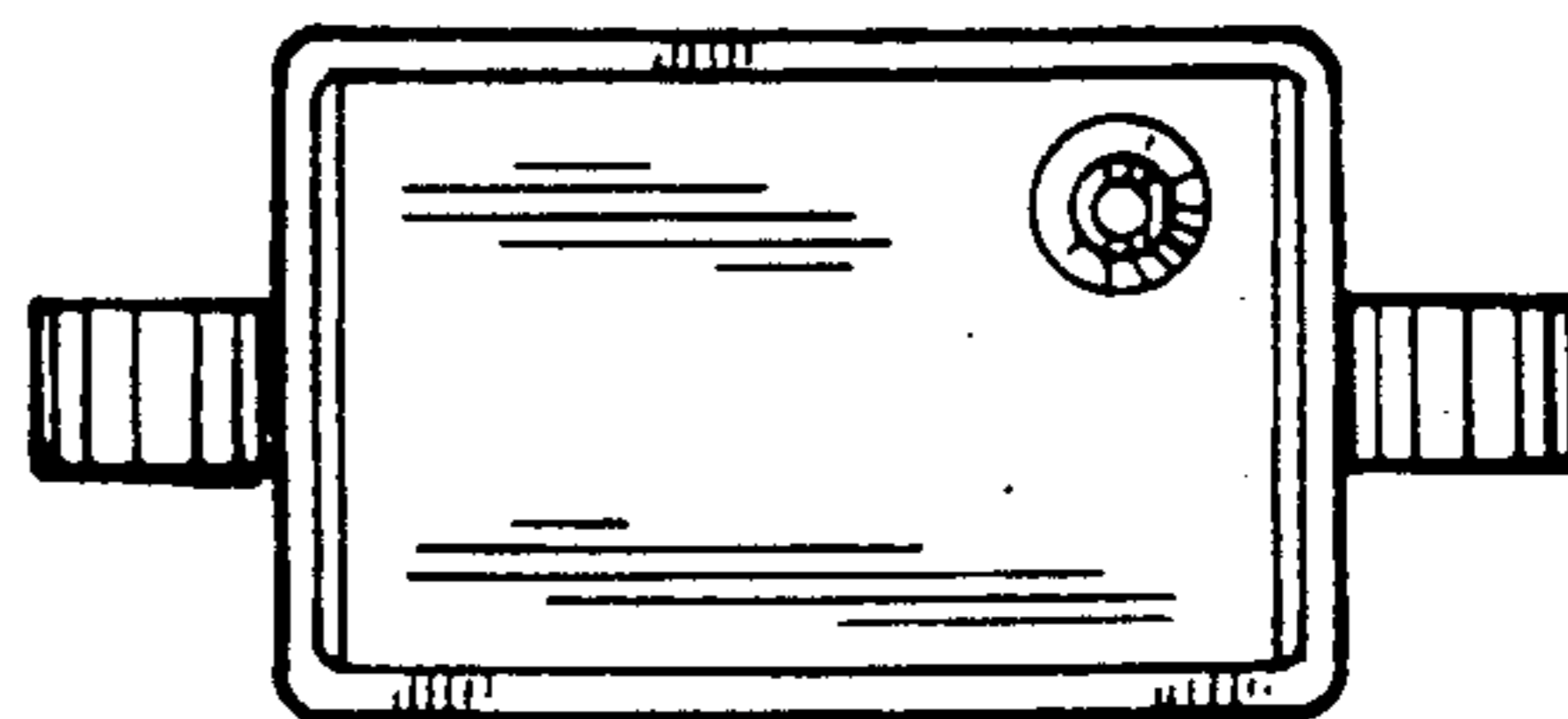


FIG. 13