

[54] CONTAINER CLOSURE OR THE LIKE

[75] Inventors: Pieter K. J. DeCoster, Aalst, Belgium; Martin J. Wolff, North Providence, R.I.

[73] Assignee: Dart Industries Inc., Deerfield, Ill.

[**] Term: 14 Years

[21] Appl. No.: 404,375

[22] Filed: Sep. 7, 1989

[52] U.S. Cl. D9/435; D9/446

[58] Field of Search D9/435, 446, 432; 220/224, 334, 375, 270; 215/235

[56] References Cited

U.S. PATENT DOCUMENTS

D. 239,818	5/1976	Vatne	D9/435 X
D. 246,828	1/1978	White	D9/435
1,565,848	12/1925	Stefoni	215/235
3,252,492	5/1966	Maichant	215/235
4,293,079	10/1981	Lytle	220/334 X

4,331,255	5/1982	Fournier	220/270 X
4,456,145	6/1984	Frank	220/334 X
4,471,881	9/1984	Foster	220/334 X

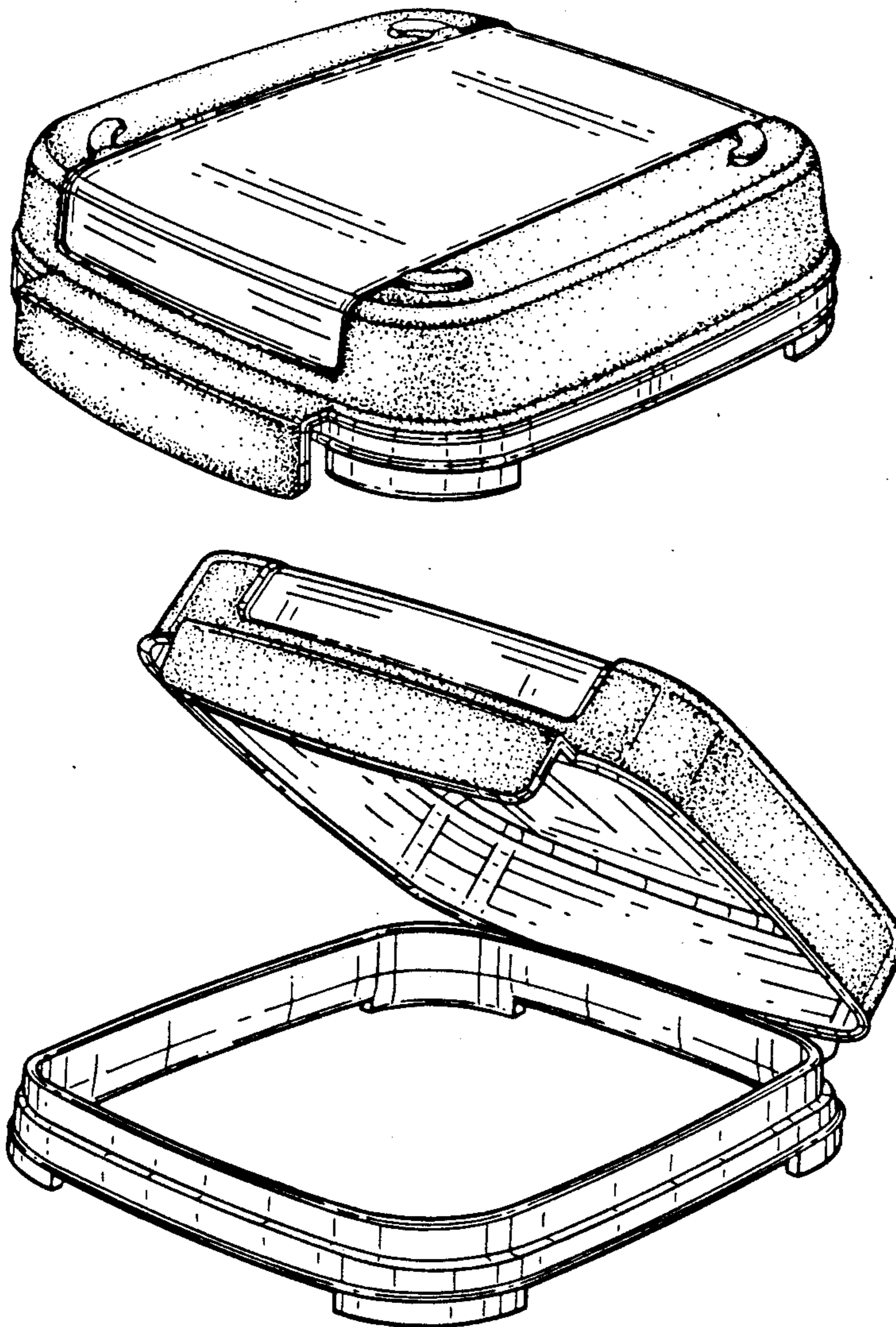
Primary Examiner—Melvin B. Feifer
Assistant Examiner—Dominic Simone
Attorney, Agent, or Firm—John A. Doninger

[57] CLAIM

The ornamental design for a container closure or the like, as shown.

DESCRIPTION

FIG. 1 is a top perspective view of the container closure or the like showing our new design;
FIG. 2 is a top perspective view of the cover pivoted up approximately 45 degrees;
FIG. 3 is a top plan view thereof;
FIG. 4 is a bottom plan view thereof;
FIG. 5 is a front side elevational view thereof;
FIG. 6 is a rear side elevational view thereof;
FIG. 7 is a right side elevational view thereof; and
FIG. 8 is a left side elevational view thereof.



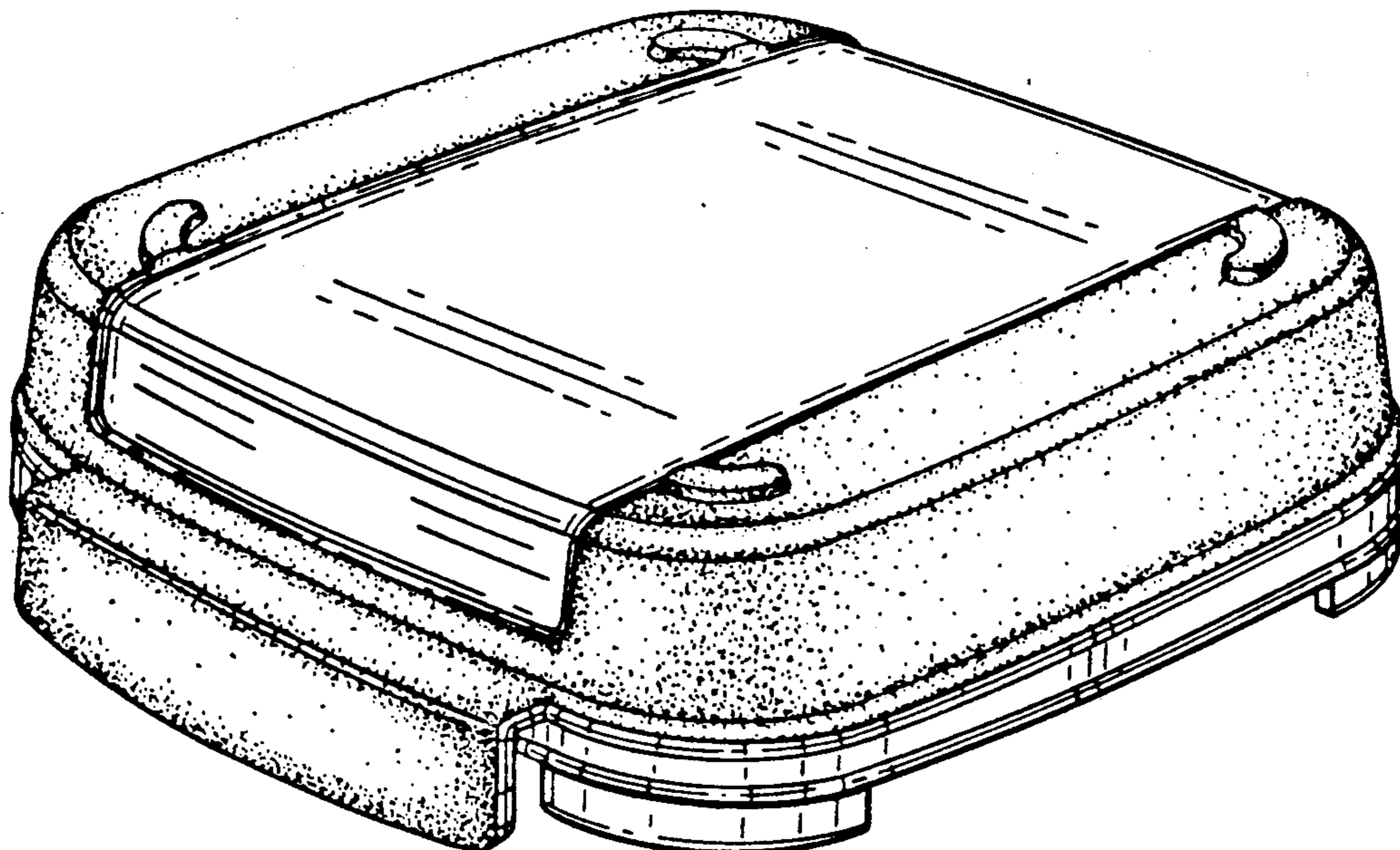


FIG. 1

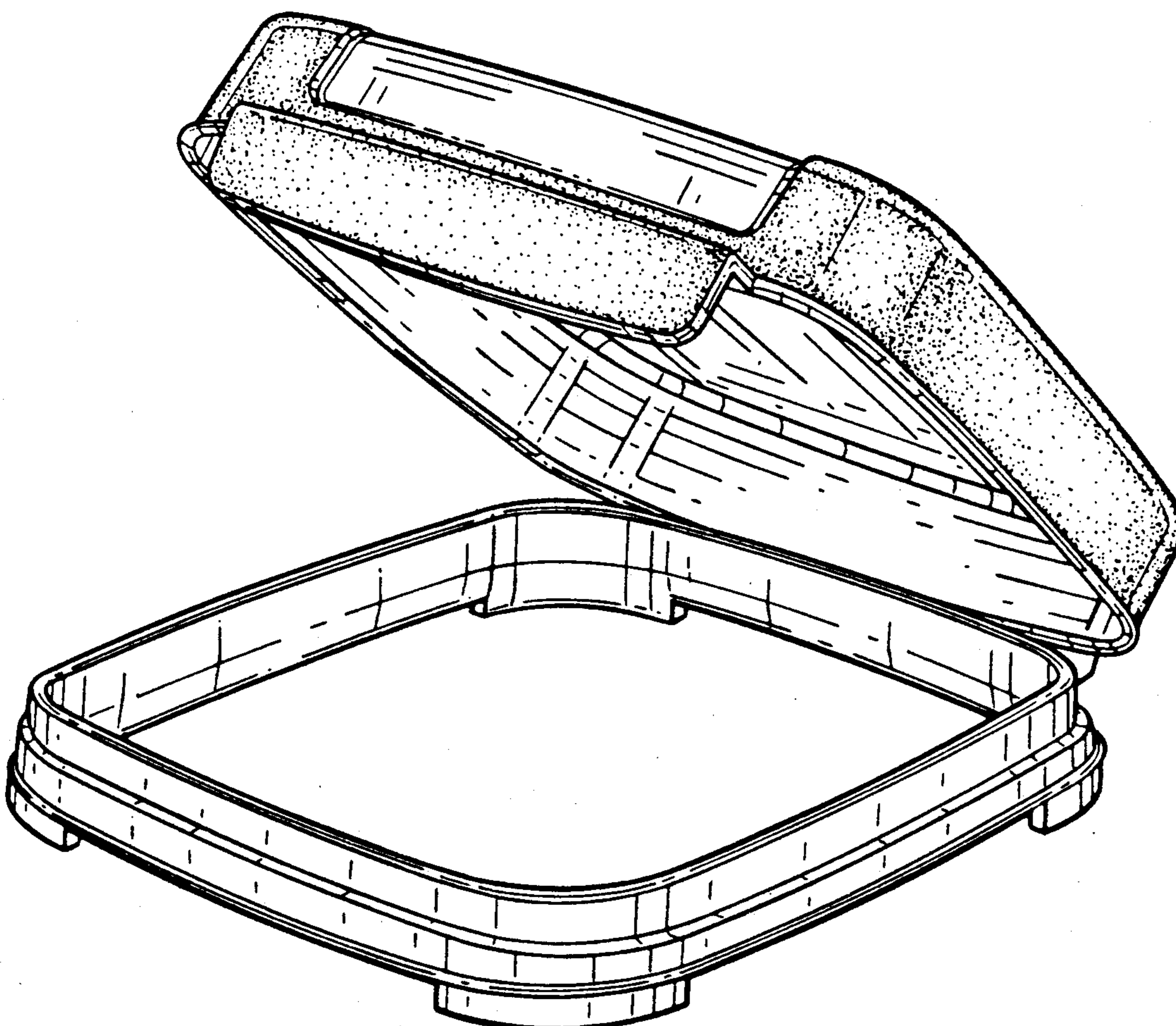


FIG. 2

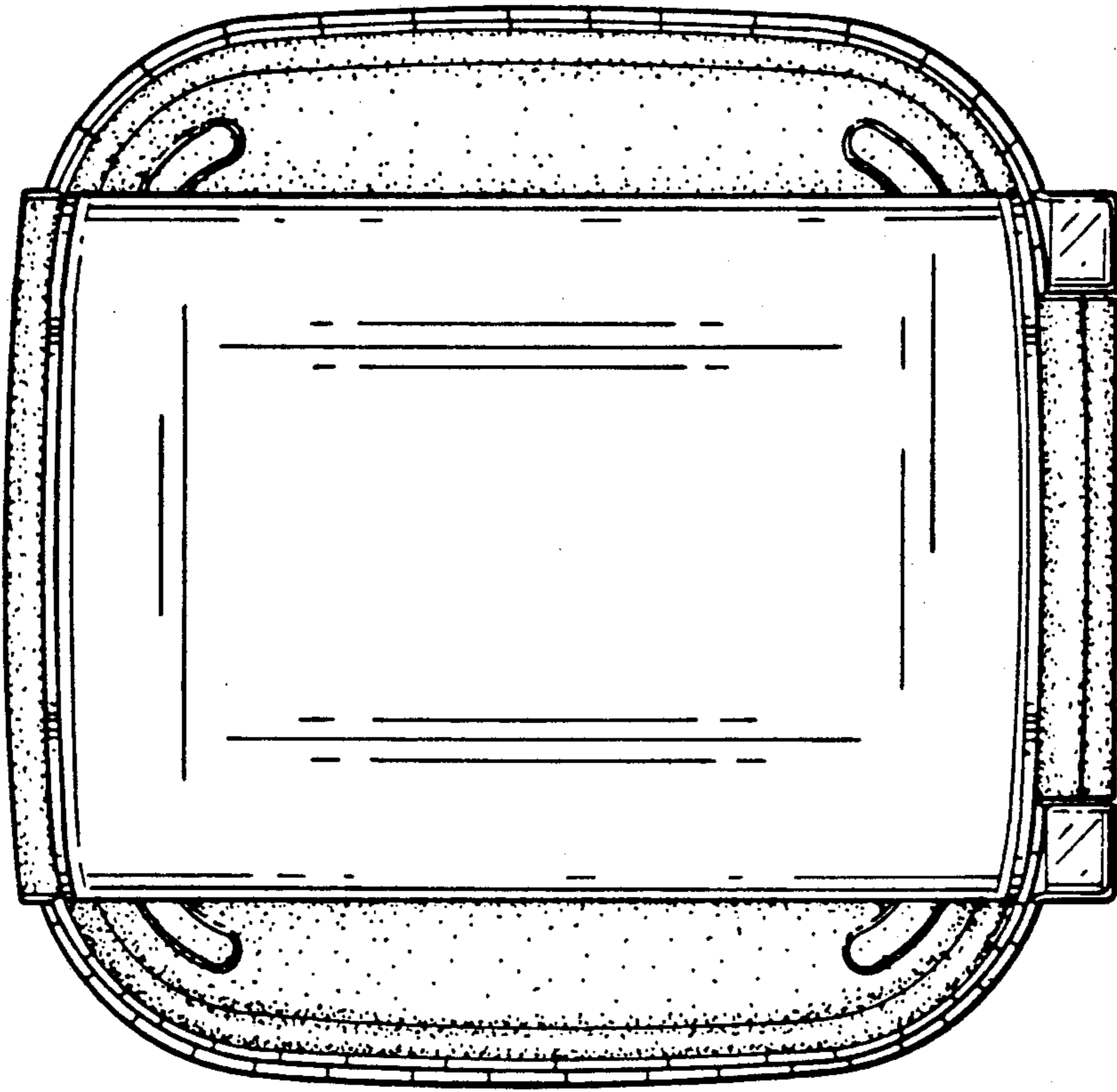


FIG. 3

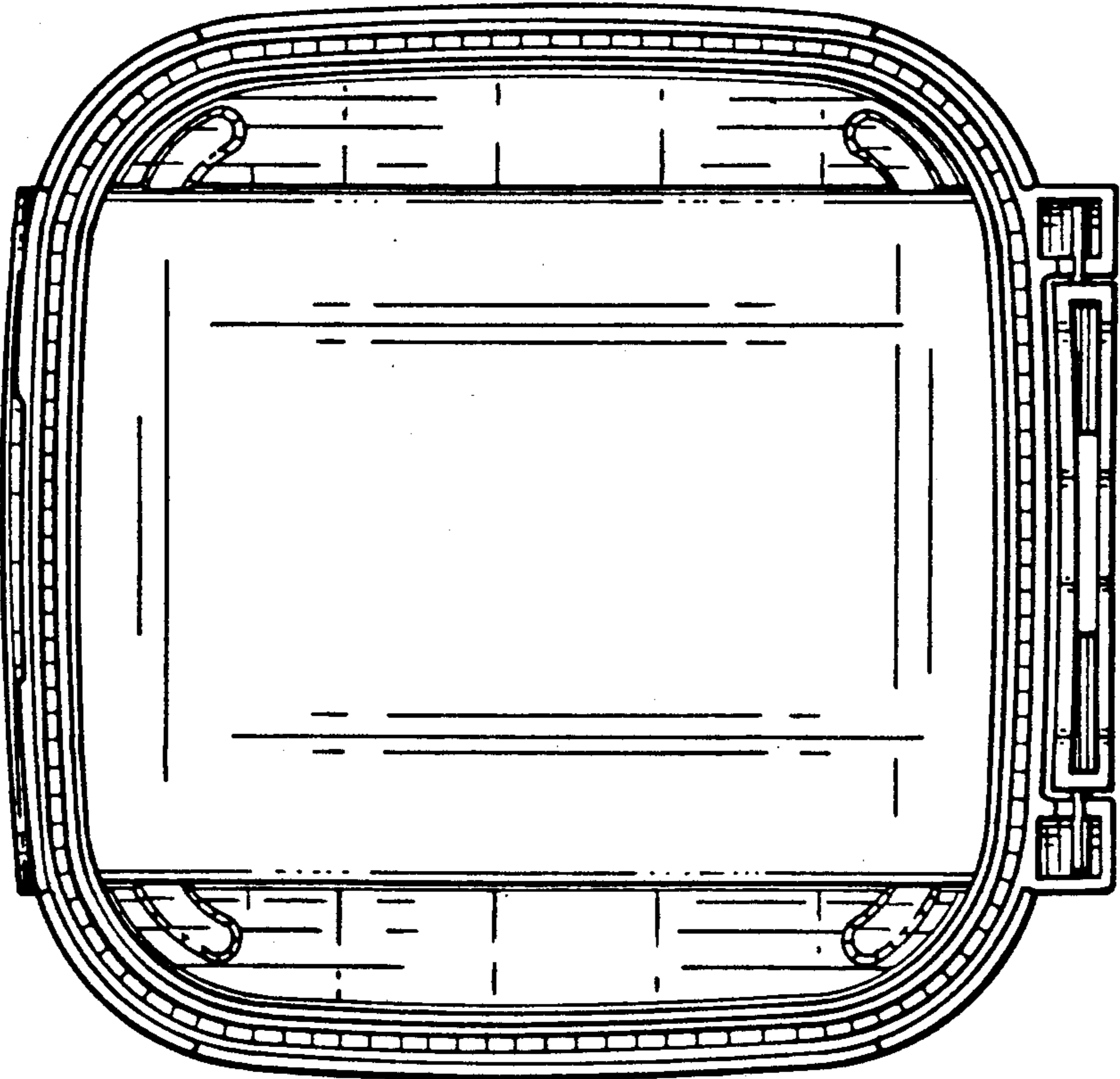


FIG. 4

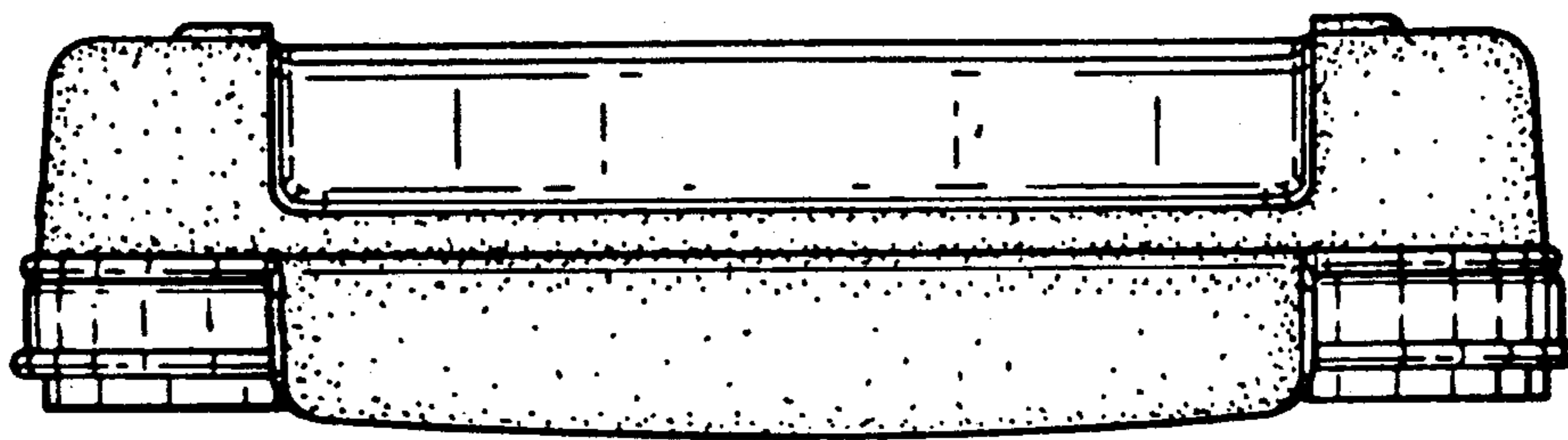


FIG. 5

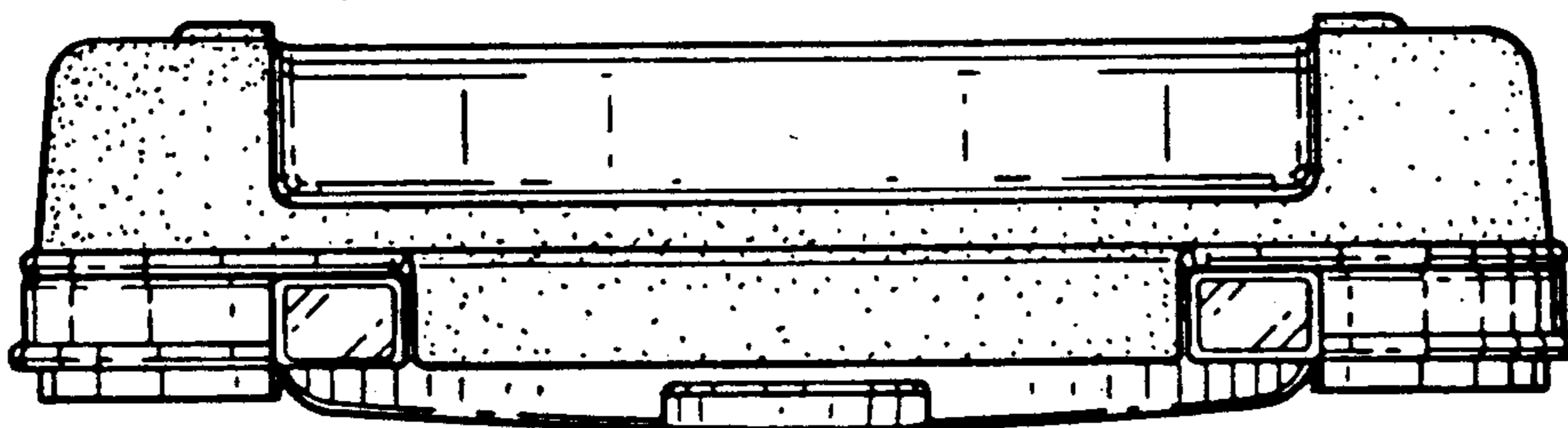


FIG. 6

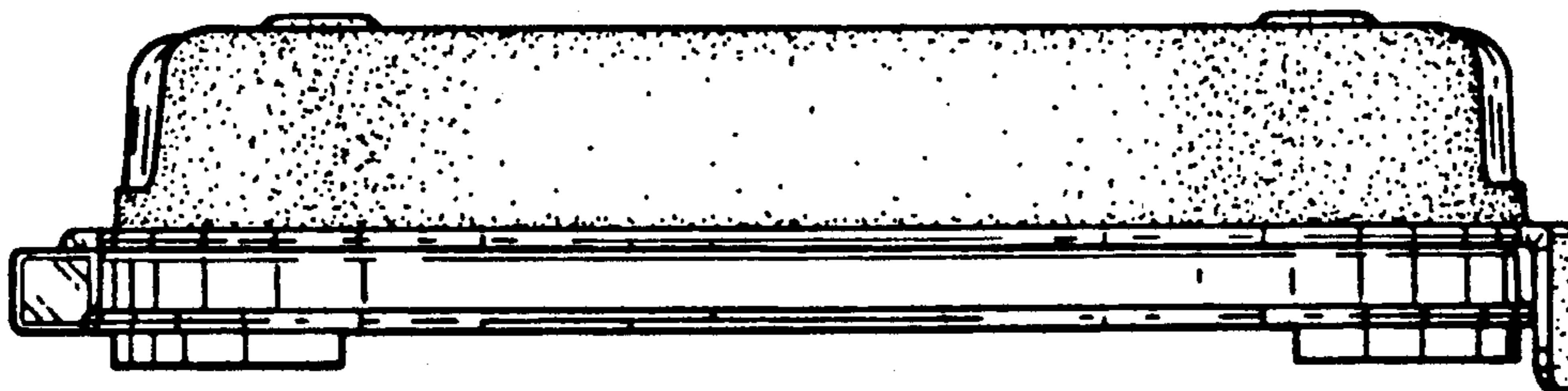


FIG. 7

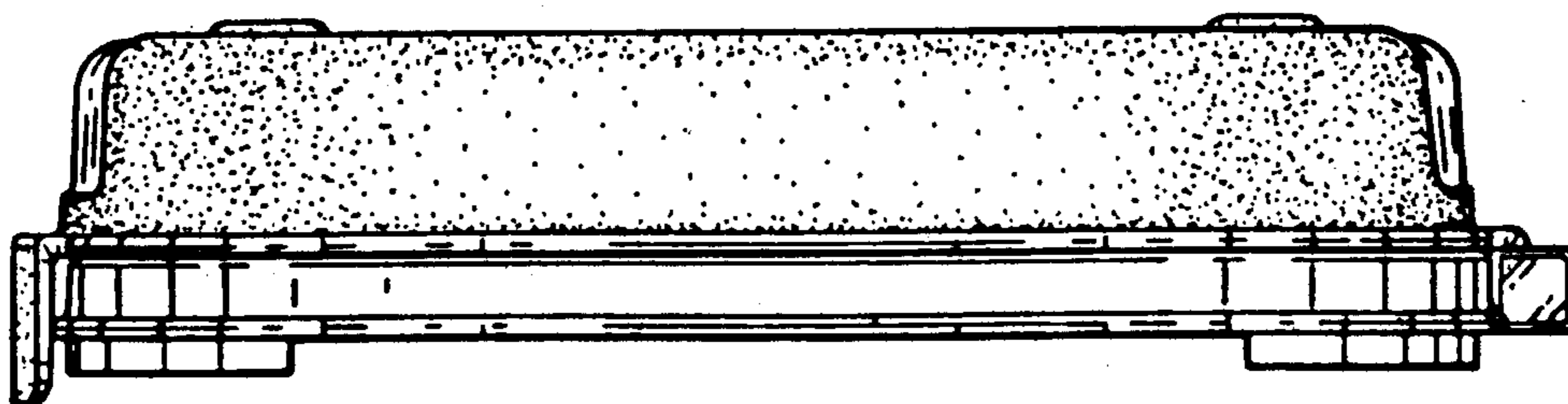


FIG. 8