

[54] PADLOCK COVER WITH STORAGE COMPARTMENT

[76] Inventor: Paul Appelbaum, 2125 S. Ammons St., Lakewood, Colo. 80227

[**] Term: 14 Years

[21] Appl. No.: 297,683

[22] Filed: Jan. 13, 1989

[52] U.S. Cl. D8/346

[58] Field of Search D8/330-331, D8/333-334, 343, 346; 70/1, 20, 51-52, 54-56, 63

[56] References Cited

U.S. PATENT DOCUMENTS

D. 292,869	11/1987	Lebrecht	D8/346
D. 301,682	6/1989	Gardenswartz	D8/333
D. 306,131	2/1990	Coffman	D8/343
2,375,488	5/1945	Olson	70/54 X
3,436,937	4/1969	Barrett	70/63
4,372,138	2/1983	DeForrest	70/56

4,576,022	3/1986	Gamble	D8/346 X
4,641,505	2/1987	Maurice	D8/334 X

Primary Examiner—Wallace R. Burke
Assistant Examiner—Vinson Brian N.
Attorney, Agent, or Firm—Charles C. Corbin

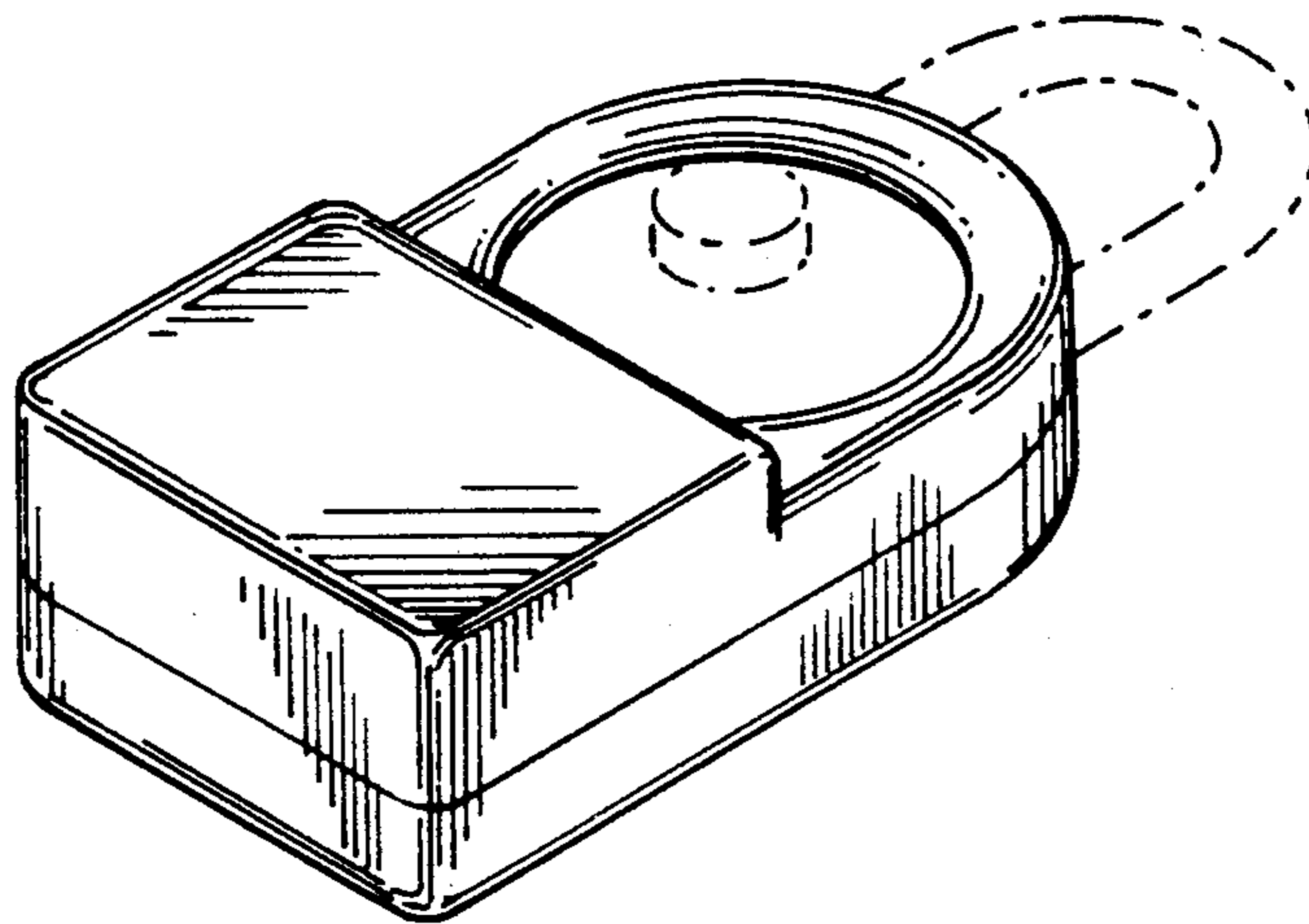
[57] CLAIM

The ornamental design for a padlock cover with storage compartment, as shown and described.

DESCRIPTION

FIG. 1 is a bottom, front, and right side perspective view of a padlock cover with storage compartment showing my new design, the broken-line depiction of a padlock throughout the views being for illustrative purposes only and forming no part of the claimed design;

FIG. 2 is a front elevational view thereof;
FIG. 3 is a rear elevational view thereof;
FIG. 4 is a right side elevational view thereof;
FIG. 5 is a left side elevational view thereof;
FIG. 6 is a top plan view thereof; and
FIG. 7 is a bottom plan view thereof.



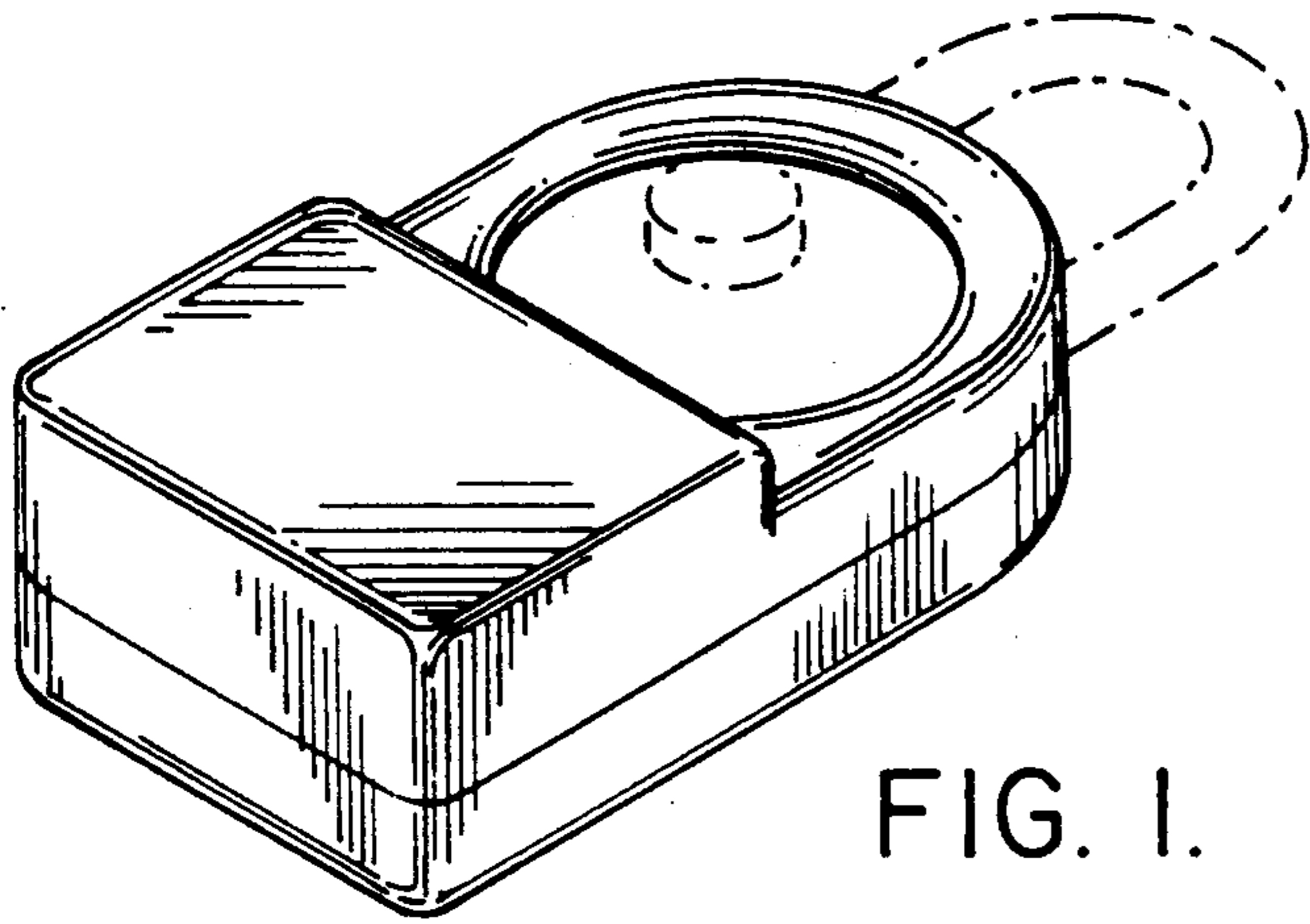


FIG. 1.

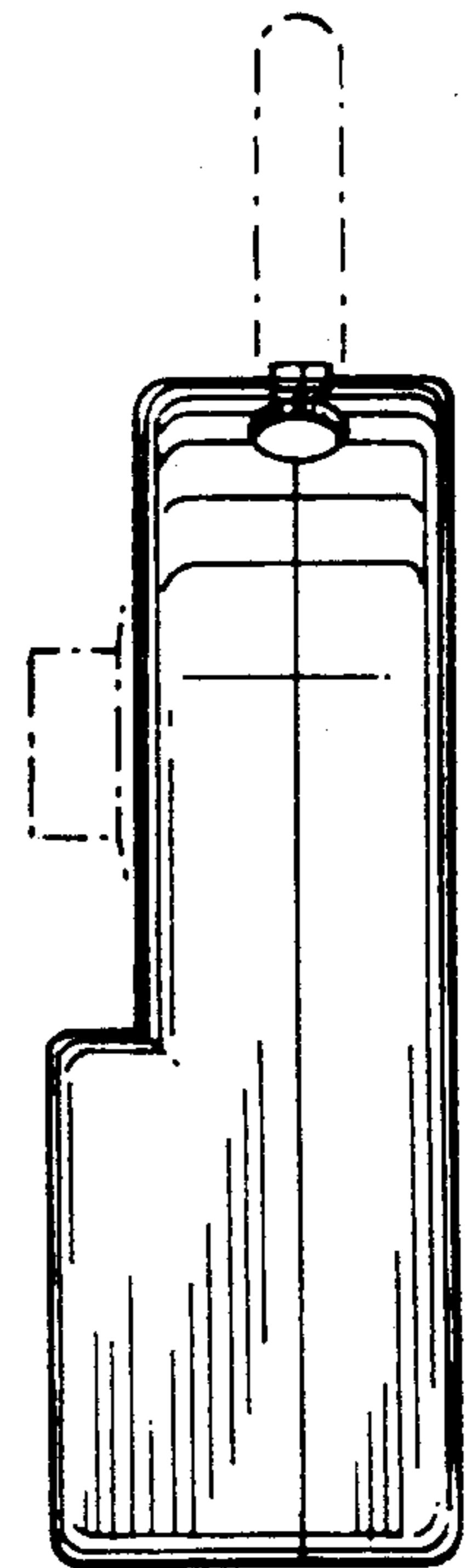


FIG. 4.

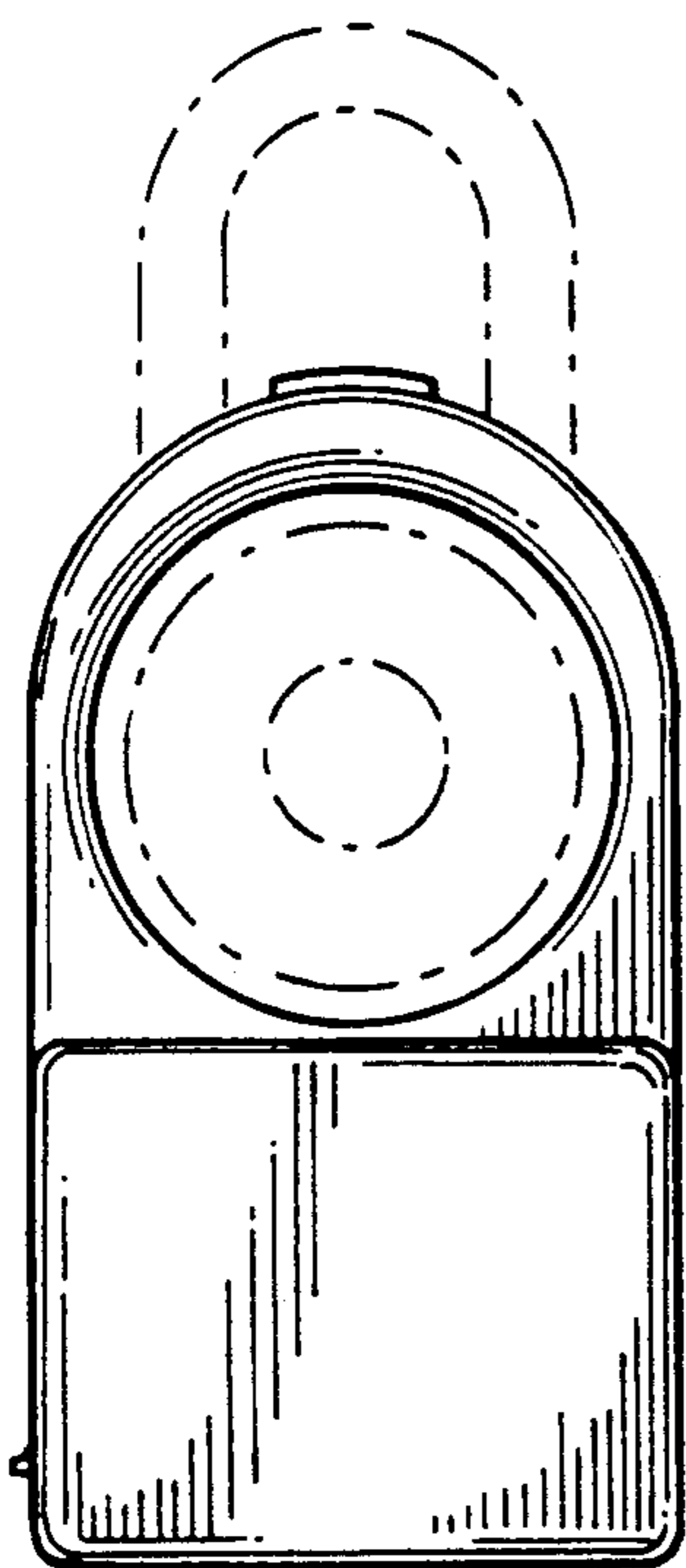


FIG. 2.

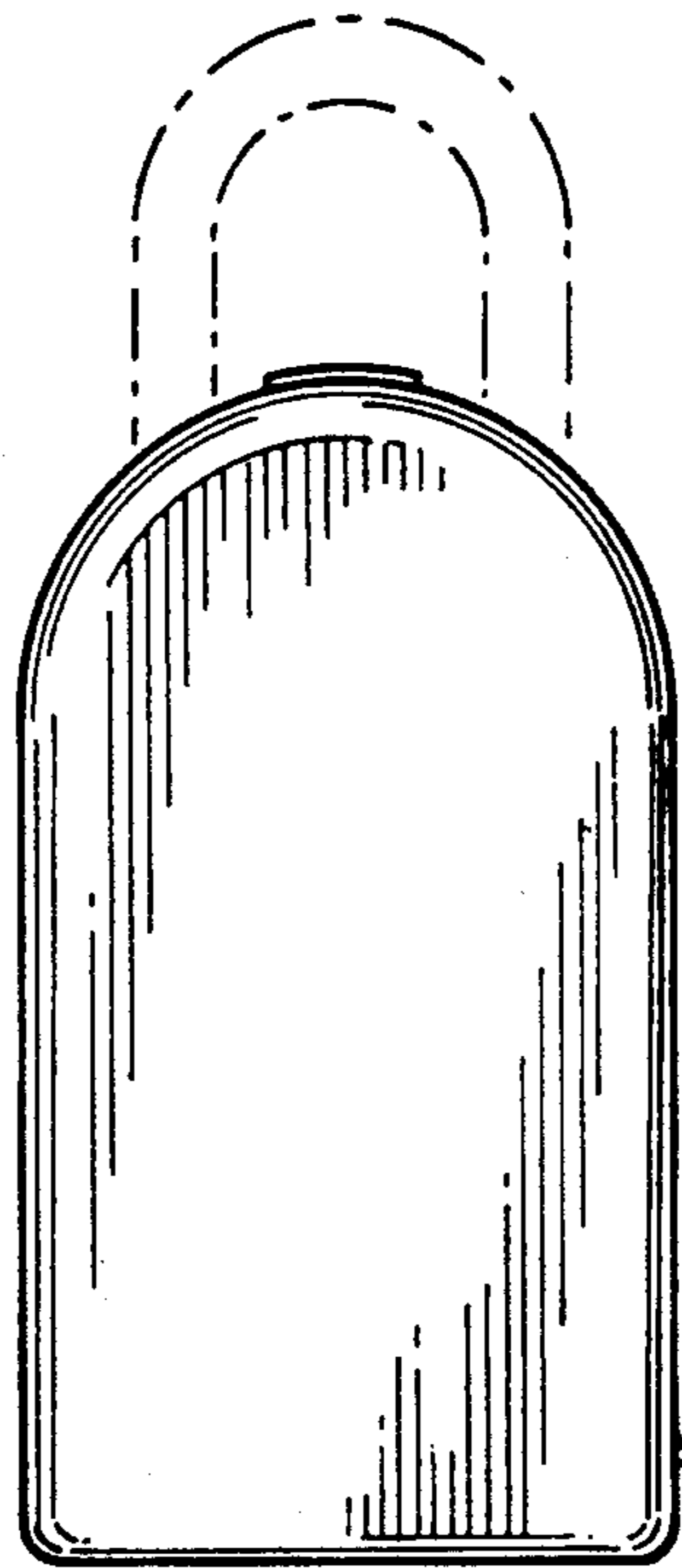


FIG. 3.

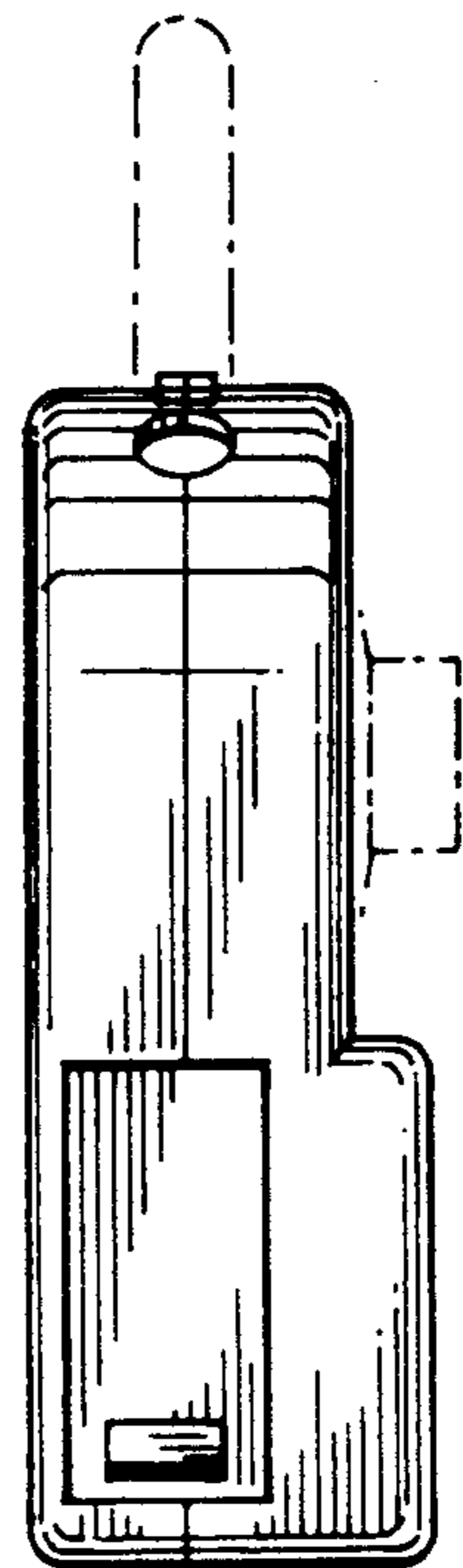


FIG. 5.

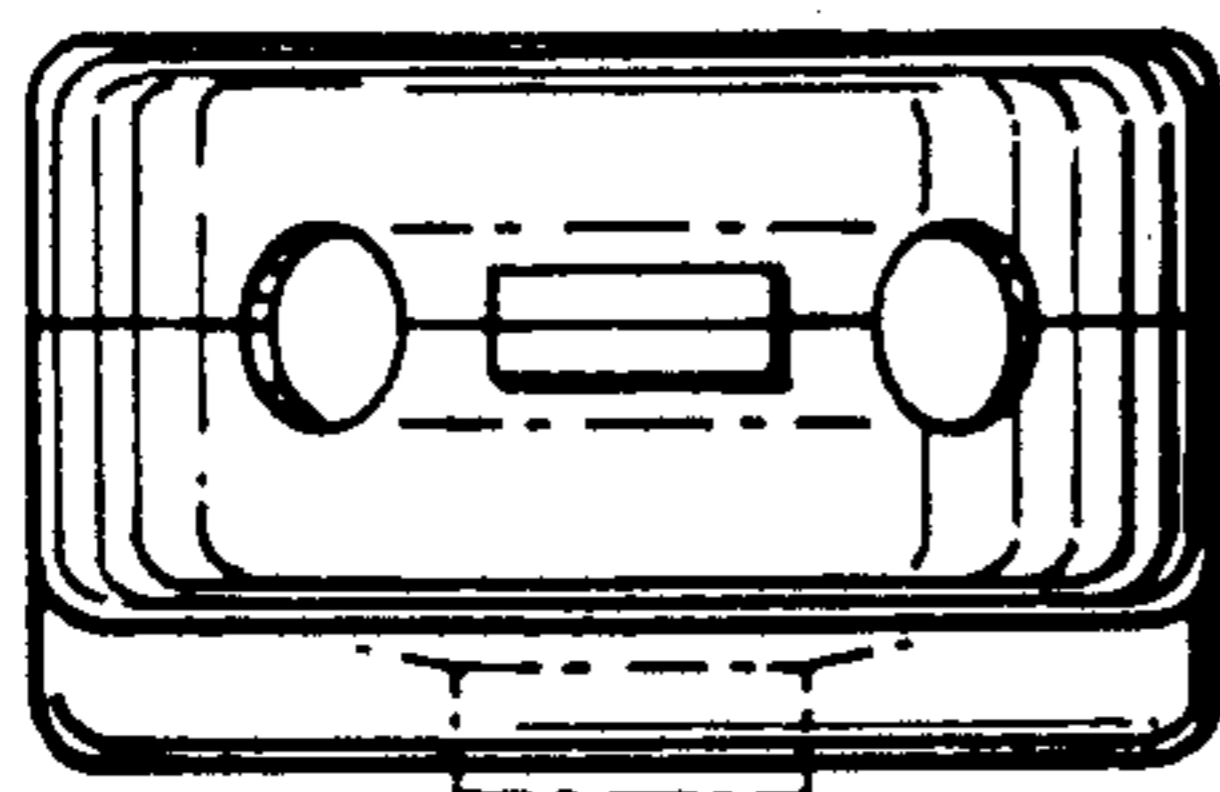


FIG. 6.

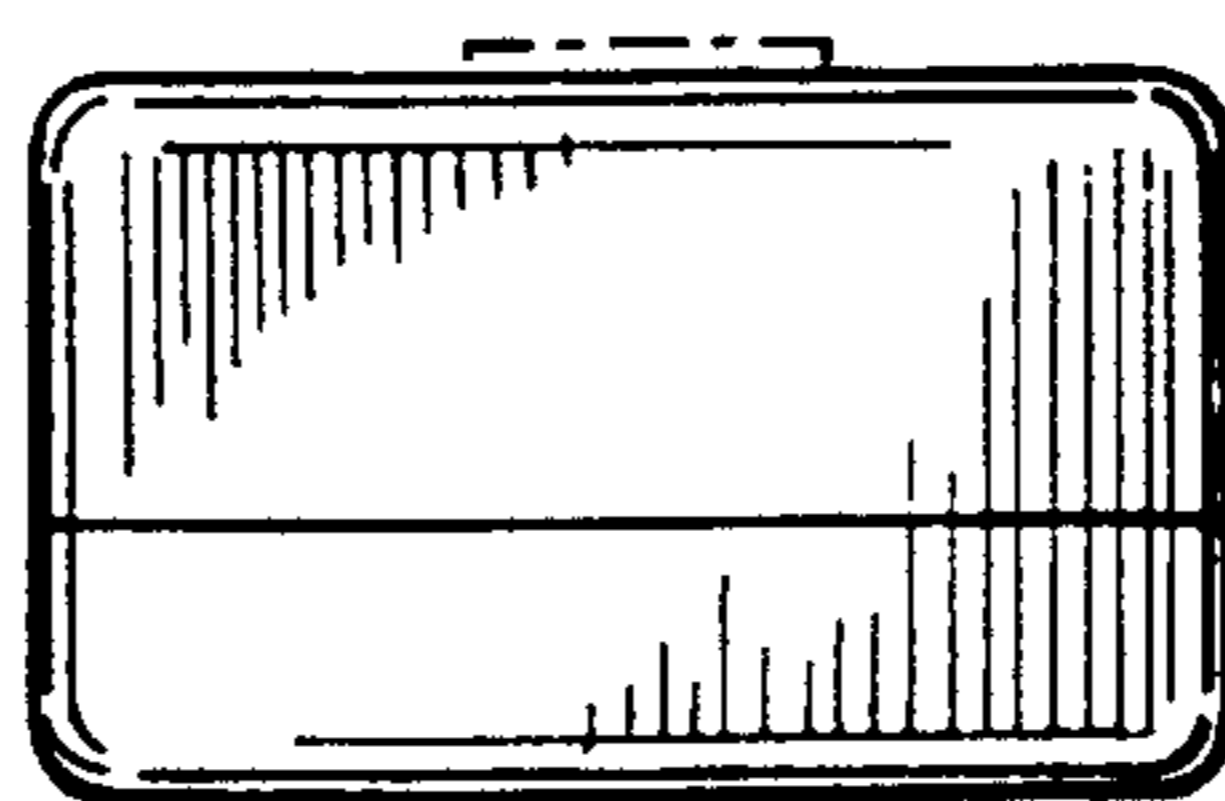


FIG. 7.