

[54] HACKSAW

[75] Inventors: Vernon Wanner, Belvidere; Edward S. Freiwald, Rockford, both of Ill.; Orville W. Larsen, Lake Geneva, Wis.

[73] Assignee: Greenlee Textron Inc., Rockford, Ill.

[\*\*] Term: 14 Years

[21] Appl. No.: 214,133

[22] Filed: Jun. 30, 1988

[52] U.S. Cl. .... D8/96

[58] Field of Search ..... D8/95, 96, 97; 7/127

References Cited

U.S. PATENT DOCUMENTS

D. 159,957	9/1950	Clemson	.....	D8/96
D. 240,009	5/1976	Breger	.....	D8/96
D. 245,754	9/1977	Breger	.....	D8/96
D. 276,407	11/1984	Jackoff	.....	D8/96
4,349,059	9/1982	Hepworth	.....	D8/96 X

OTHER PUBLICATIONS

*Easco Hacksaws Cat.*, 1981, front cover of catalog, center of page, Handle's and Puller's Tool Box.

*Malco Cat. No. 790*, p. 10, top of page, Hand Tool Box #3.

*Sears Craftsman Power and Hand Tool Cat.*, 1978-1979, p. 45, bottom left of page, Hand Tool Box #2.

Primary Examiner—Bruce W. Dunkins

Assistant Examiner—M. Hannon

Attorney, Agent, or Firm—R. A. Giangiorgi

[57] CLAIM

The ornamental design for a hacksaw, as shown.

DESCRIPTION

FIG. 1 is a perspective view of the right side of a hacksaw showing our new design;

FIG. 2 is a left side elevational view thereof;

FIG. 3 is a top plan view thereof;

FIG. 4 is a front elevational view thereof;

FIG. 5 is a rear elevational view thereof; and

FIG. 6 is a bottom plan view thereof.

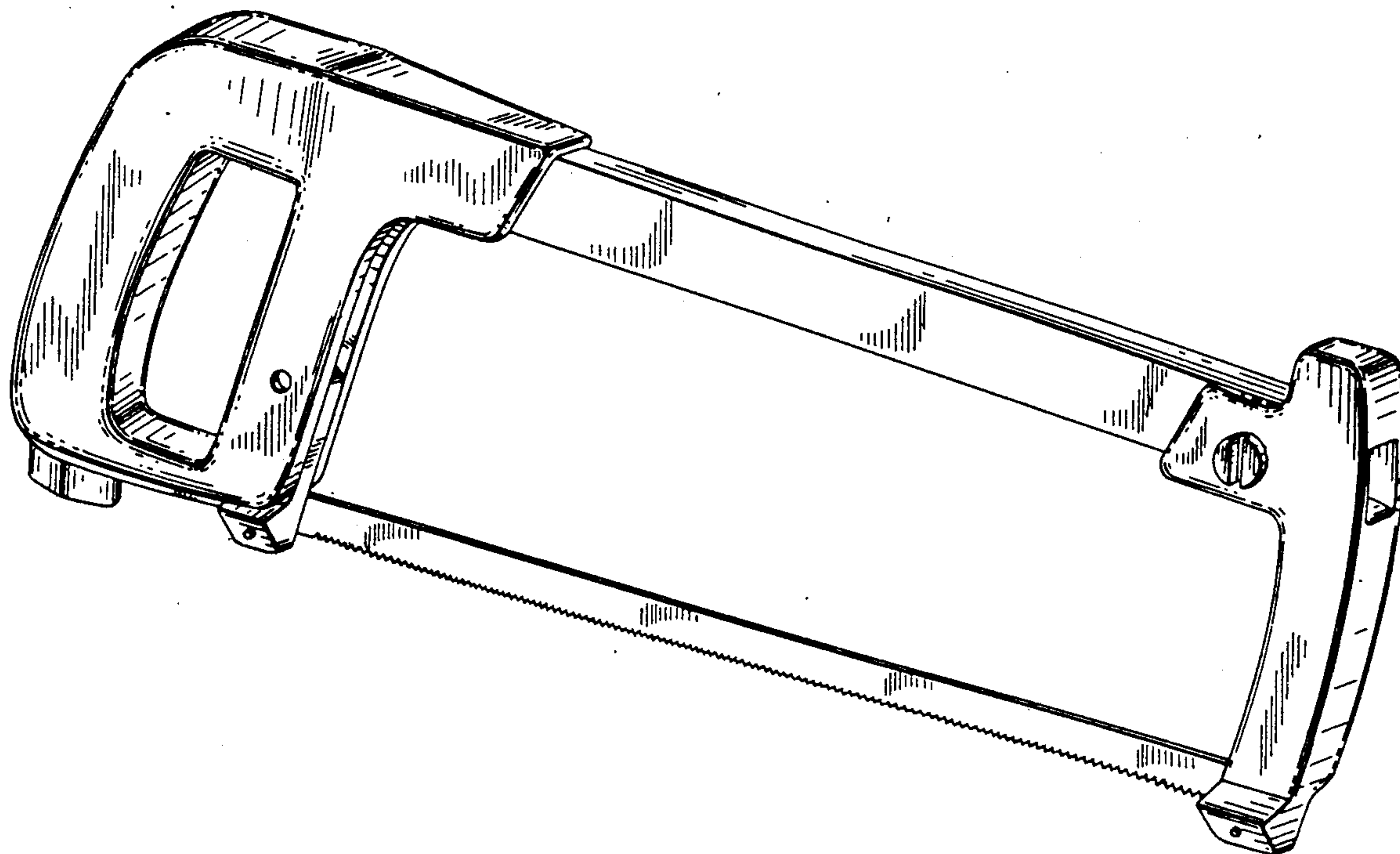


FIG. 1

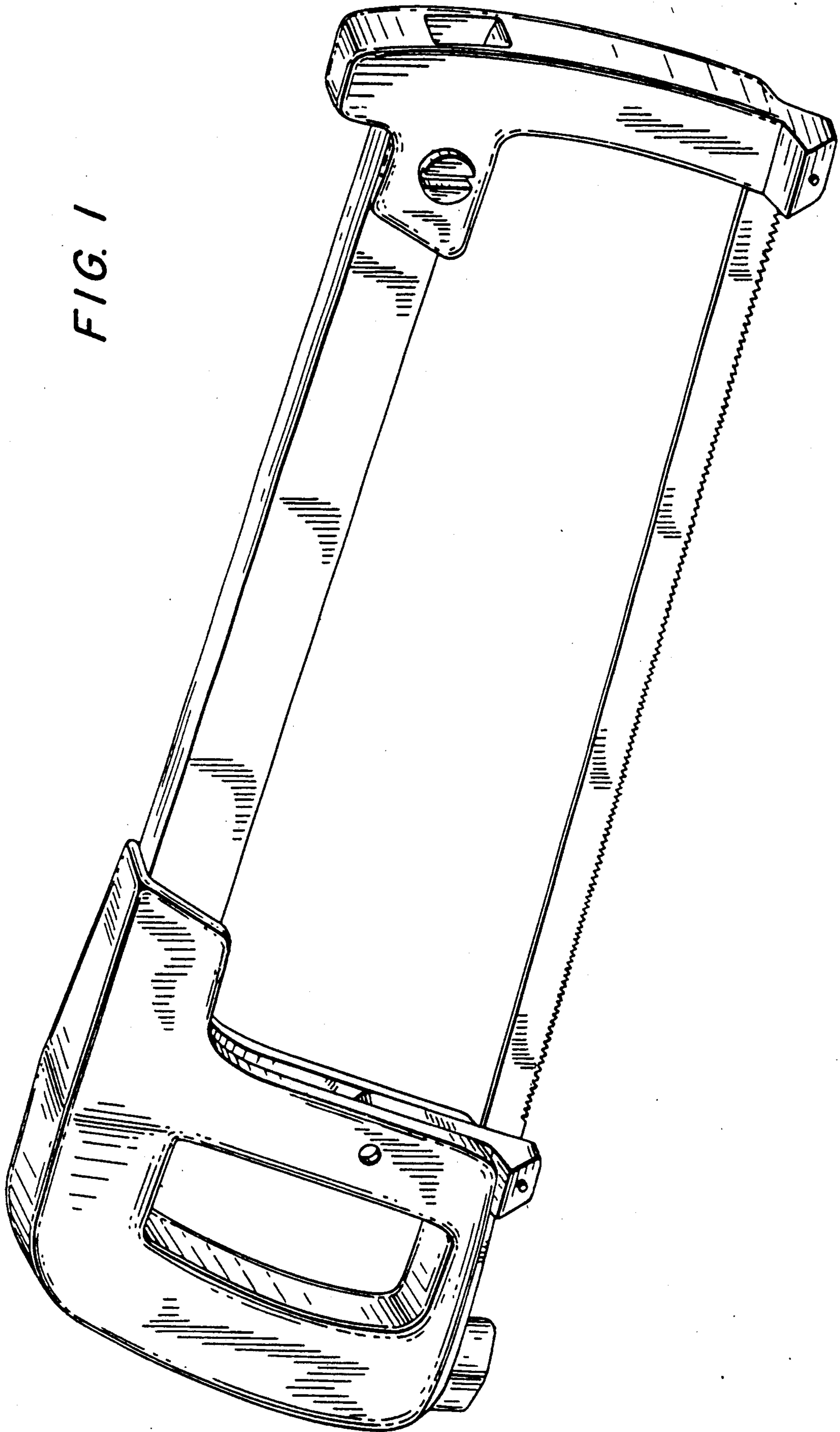


FIG. 2

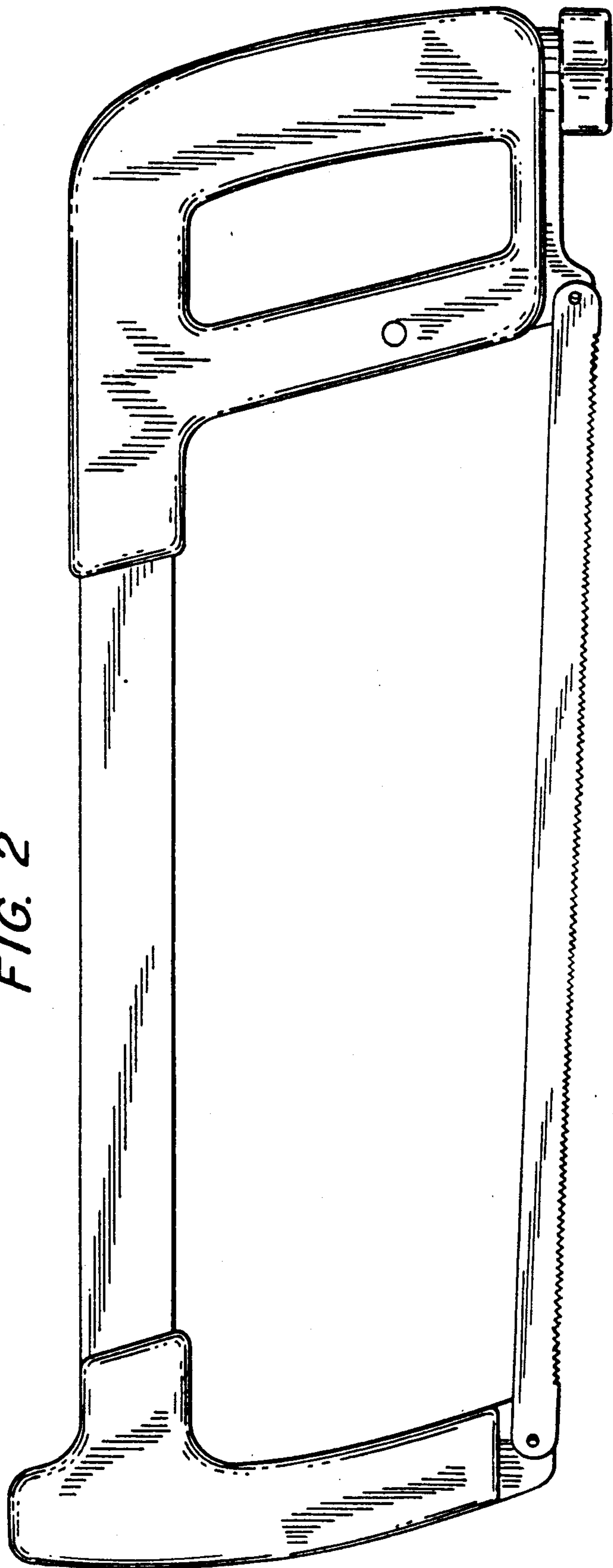


FIG. 3

