

[54] COMBINED UTENSIL AND TOOL ORGANIZER

[76] Inventor: Chin-Lung Wu, 3th Fl., No. 10, Hoping E. Rd. Sec. 3, Taipei, Taiwan

[**] Term: 14 Years

[21] Appl. No.: 344,849

[22] Filed: Apr. 28, 1989

[52] U.S. Cl. D7/641

[58] Field of Search D7/637-641; 211/70.6, 70.7, 60.1, 71; 248/37.3; 206/553, 564; D19/65, 75, 77, 81, 84

[56] References Cited

U.S. PATENT DOCUMENTS

2,136,843 11/1938 Dinkel 211/78 X

OTHER PUBLICATIONS

HFD Catalog, 11/16/87, p. 8, Portable Sandwich Maker.

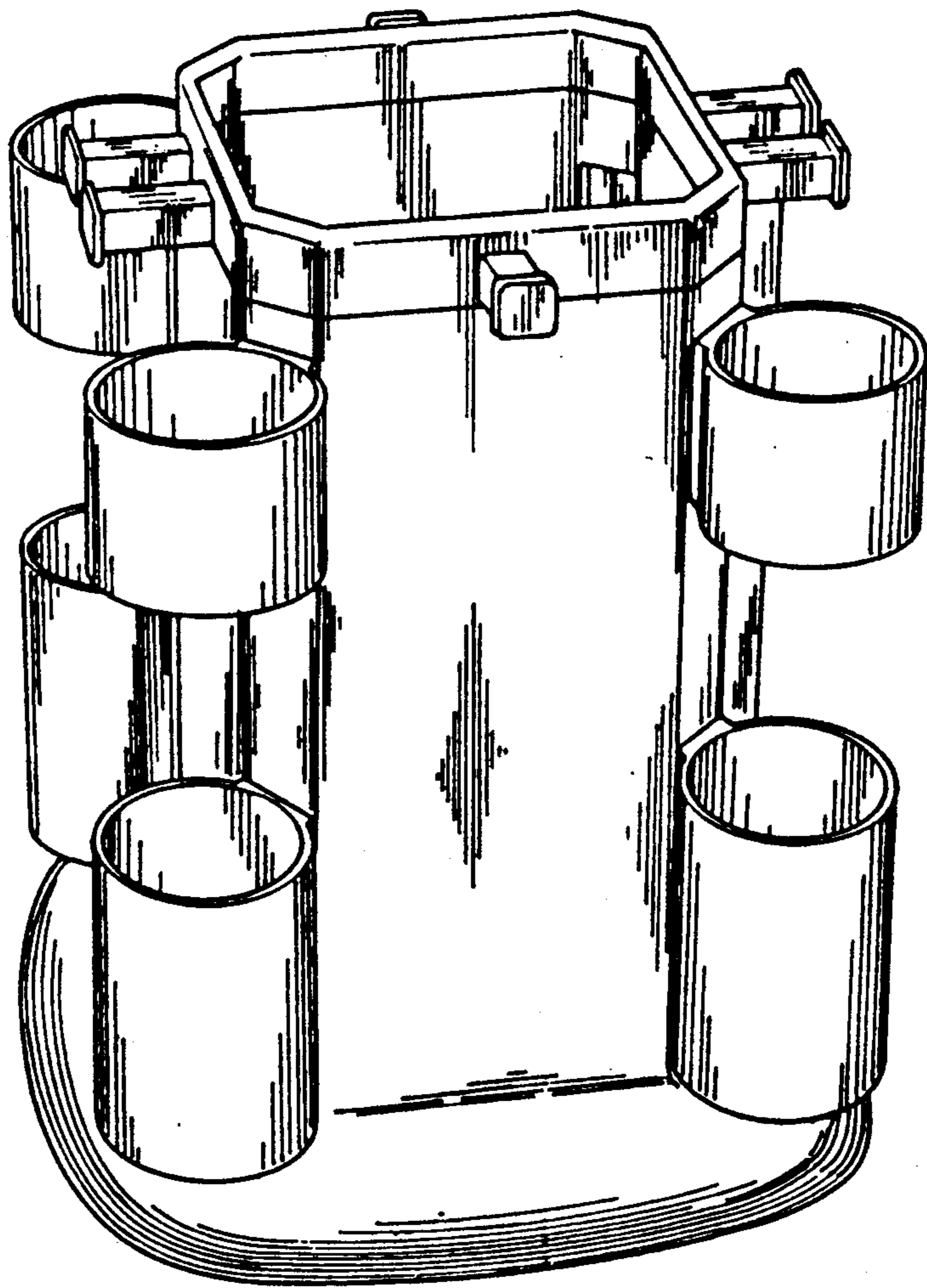
Primary Examiner—Terry A. Pfeffer
Attorney, Agent, or Firm—Fleit, Jacobson, Cohn, Price, Holman & Stern

[57] CLAIM

The ornamental design for a combined utensil and tool organizer, as shown and described.

DESCRIPTION

FIG. 1 is a perspective view of a combined utensil and tool organizer showing my new design;
FIG. 2 is a front elevational view thereof, the opposite side being a mirror image;
FIG. 3 is a right side elevational view thereof, the opposite side being a mirror image;
FIG. 4 is a top plan view thereof;
FIG. 5 is a bottom plan view thereof.



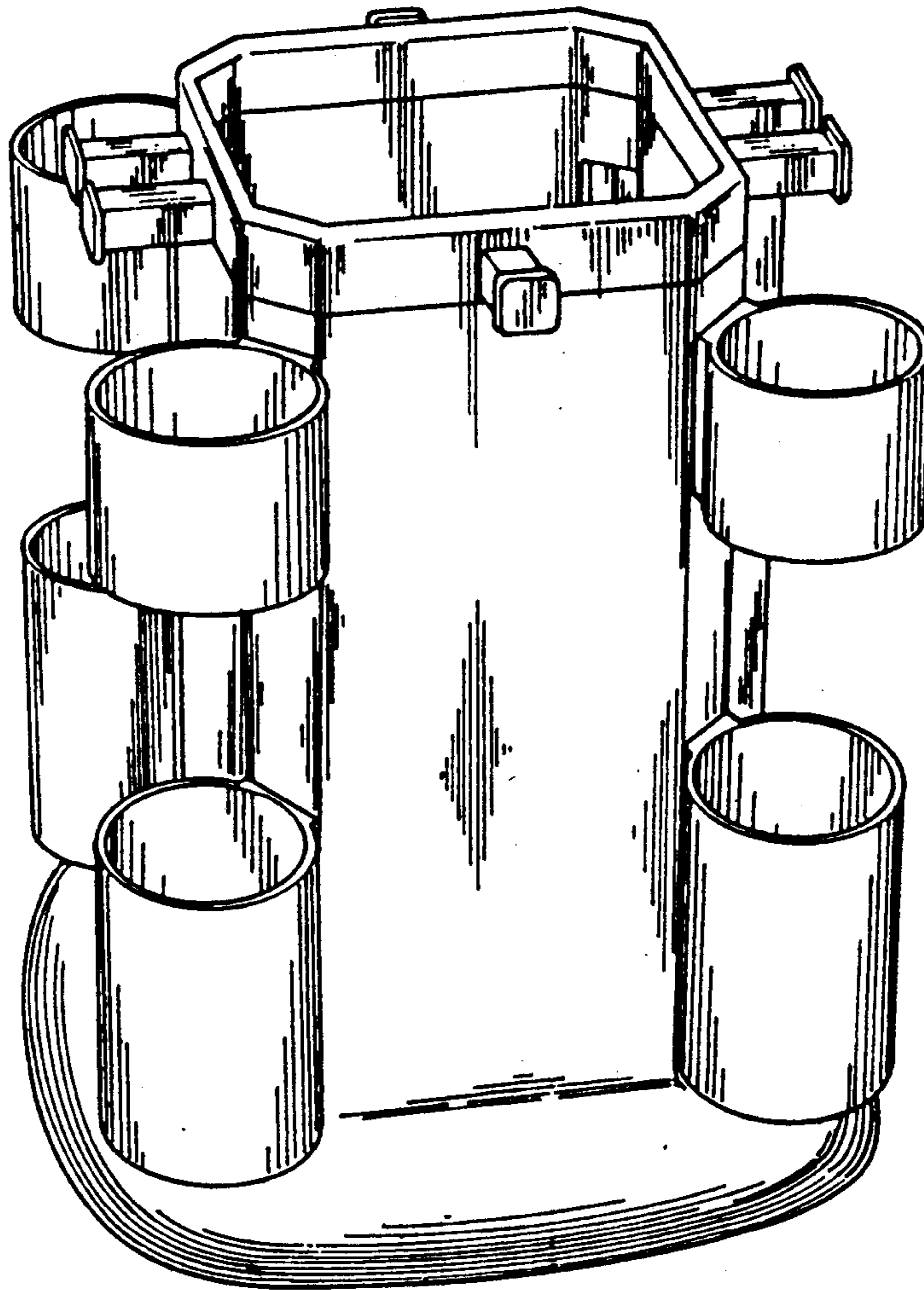


FIG. 1

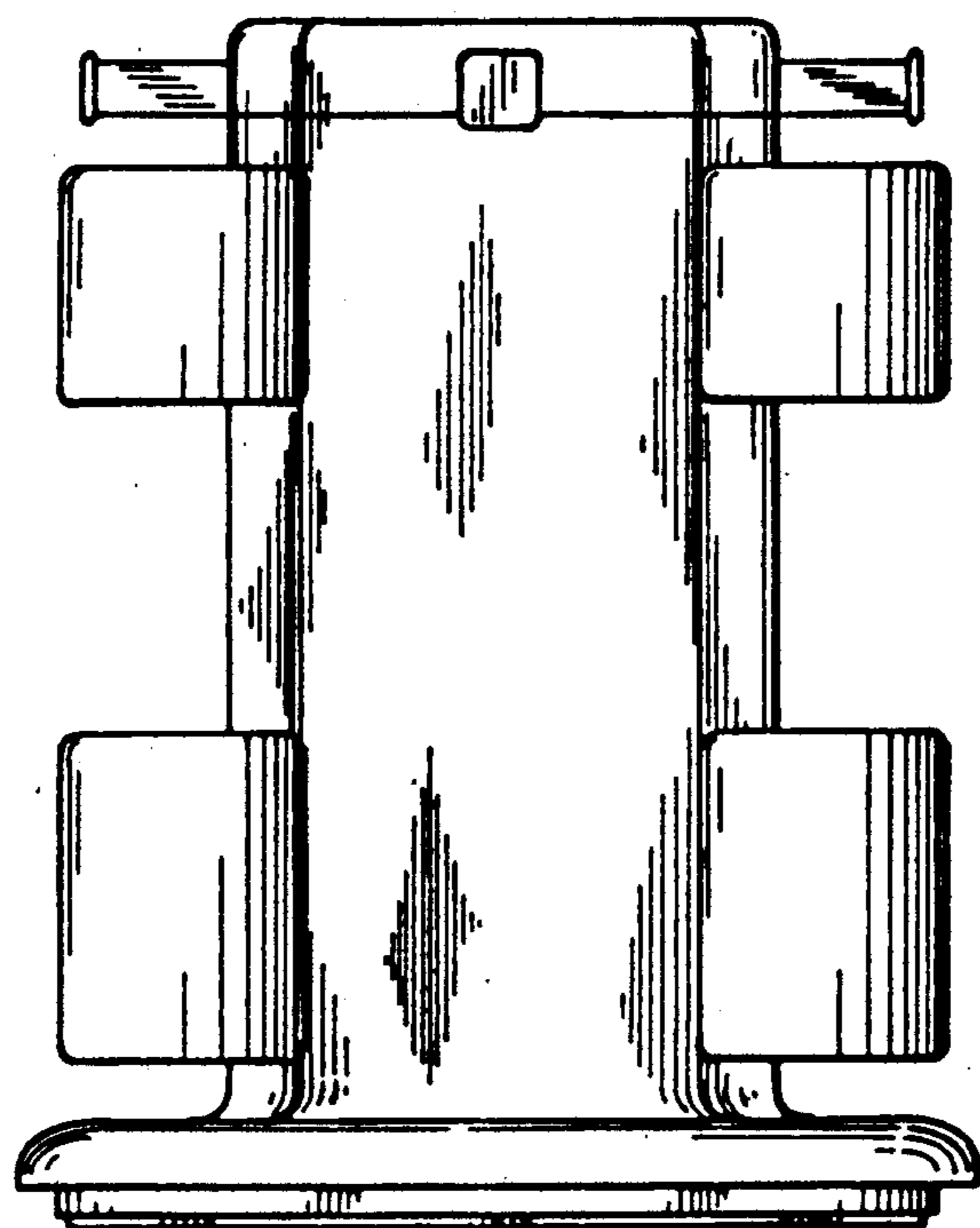


FIG. 2

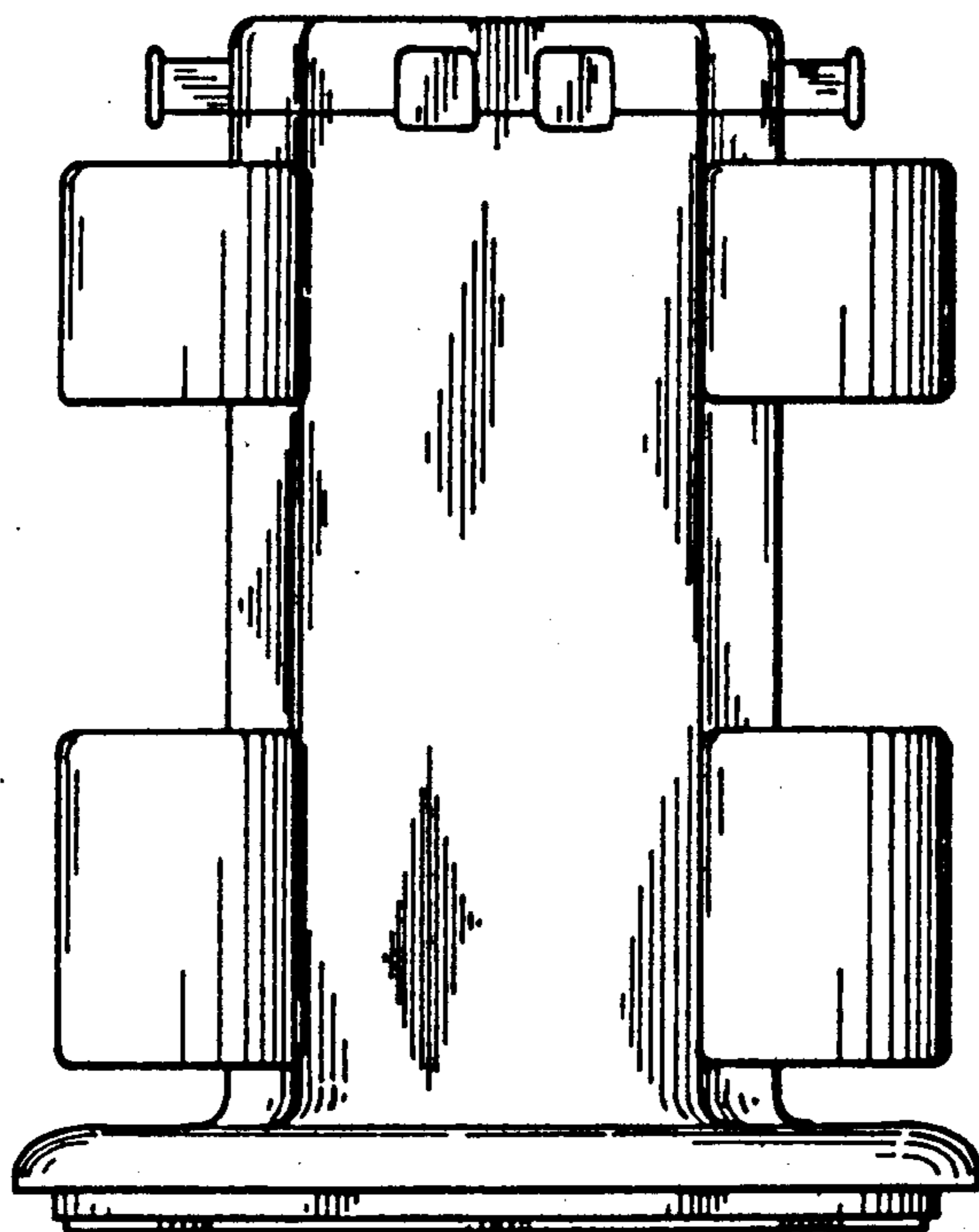


FIG. 3

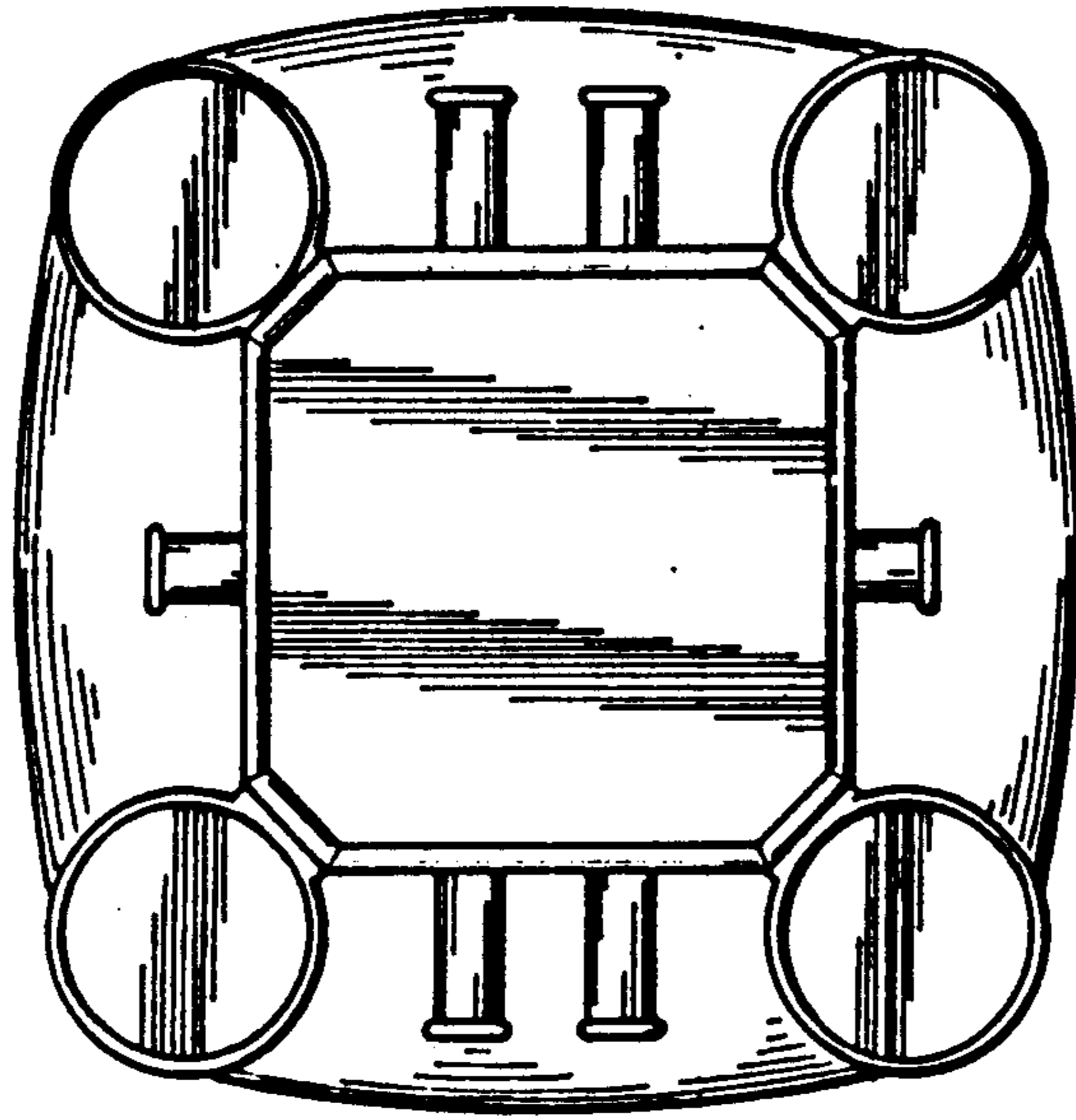


FIG.4

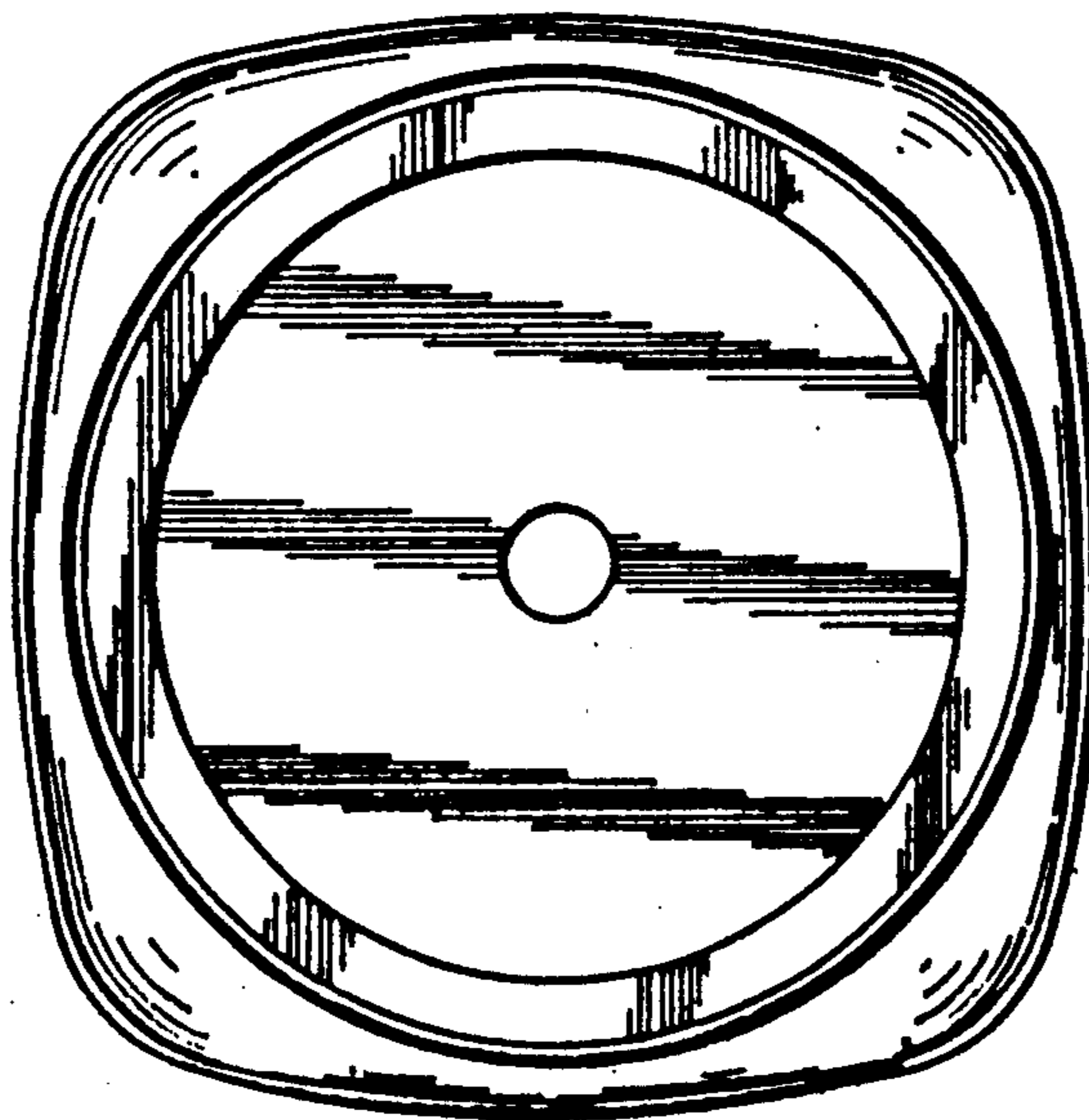


FIG.5