

[54] **CUP HOLDER**

[76] **Inventor: Richard Sanford, R.D. #1, Box 24, Nineveh, N.Y. 13813**

[\*\*] **Term: 14 Years**

[21] **Appl. No.: 313,141**

[22] **Filed: Feb. 21, 1989**

[52] **U.S. Cl. .... D7/620**

[58] **Field of Search ..... D7/619, 620; D3/40; D9/455; 248/311.2, 313; 211/71, 74; 294/31.2**

[56] **References Cited**

**U.S. PATENT DOCUMENTS**

D. 241,906 10/1976 Dart ..... D7/622  
D. 289,961 5/1987 Hentrich ..... D7/620

*Primary Examiner*—Terry A. Pfeffer

[57] **CLAIM**

The ornamental design for a cup holder, as shown.

**DESCRIPTION**

FIG. 1 is a perspective view of a cup holder showing my new design;

FIG. 2 is a top plan view thereof;

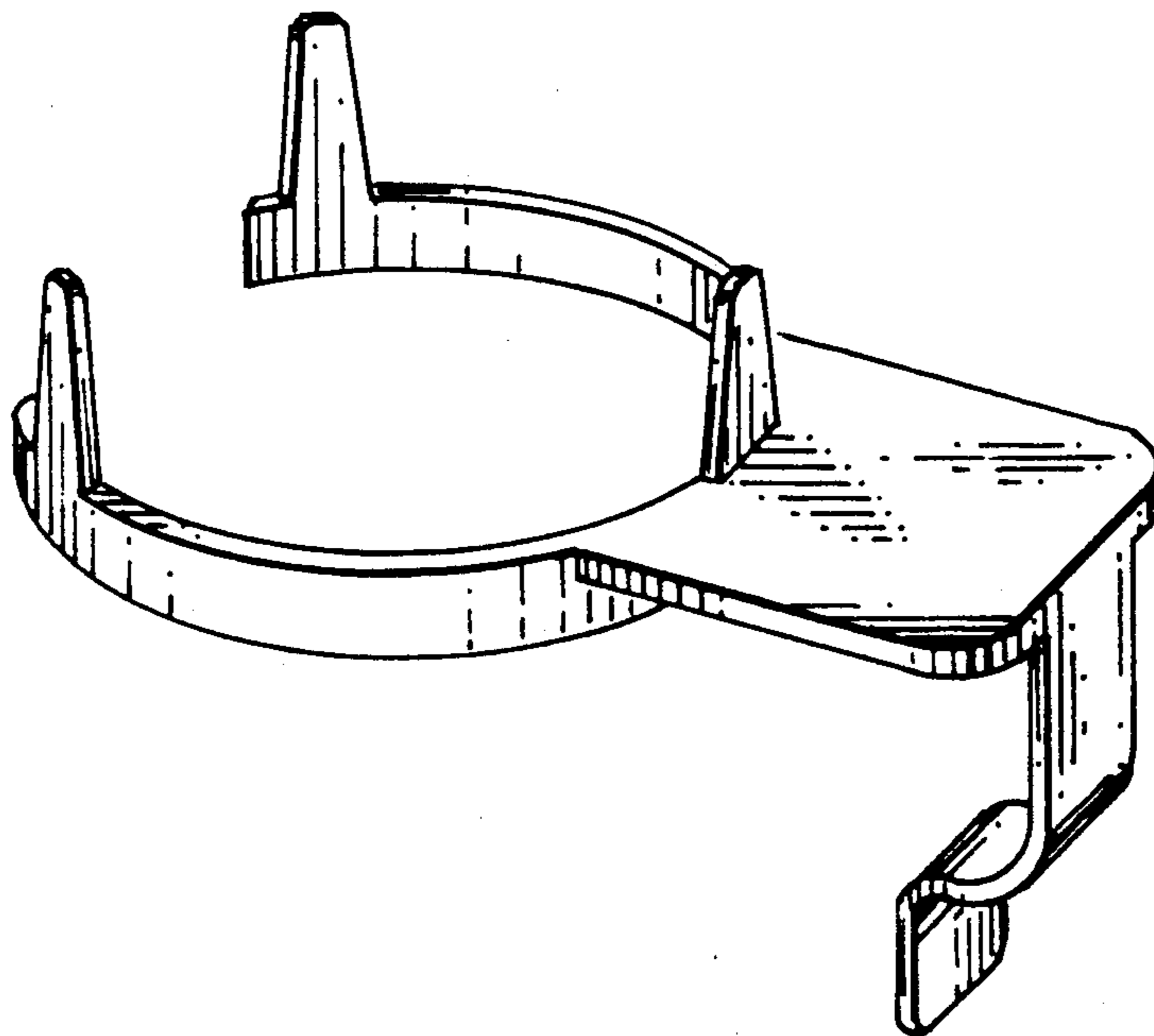
FIG. 3 is a right side elevational view thereof;

FIG. 4 is a bottom plan view thereof;

FIG. 5 is a left side elevational view thereof;

FIG. 6 is a front elevational view thereof; and

FIG. 7 is a rear elevational view thereof.



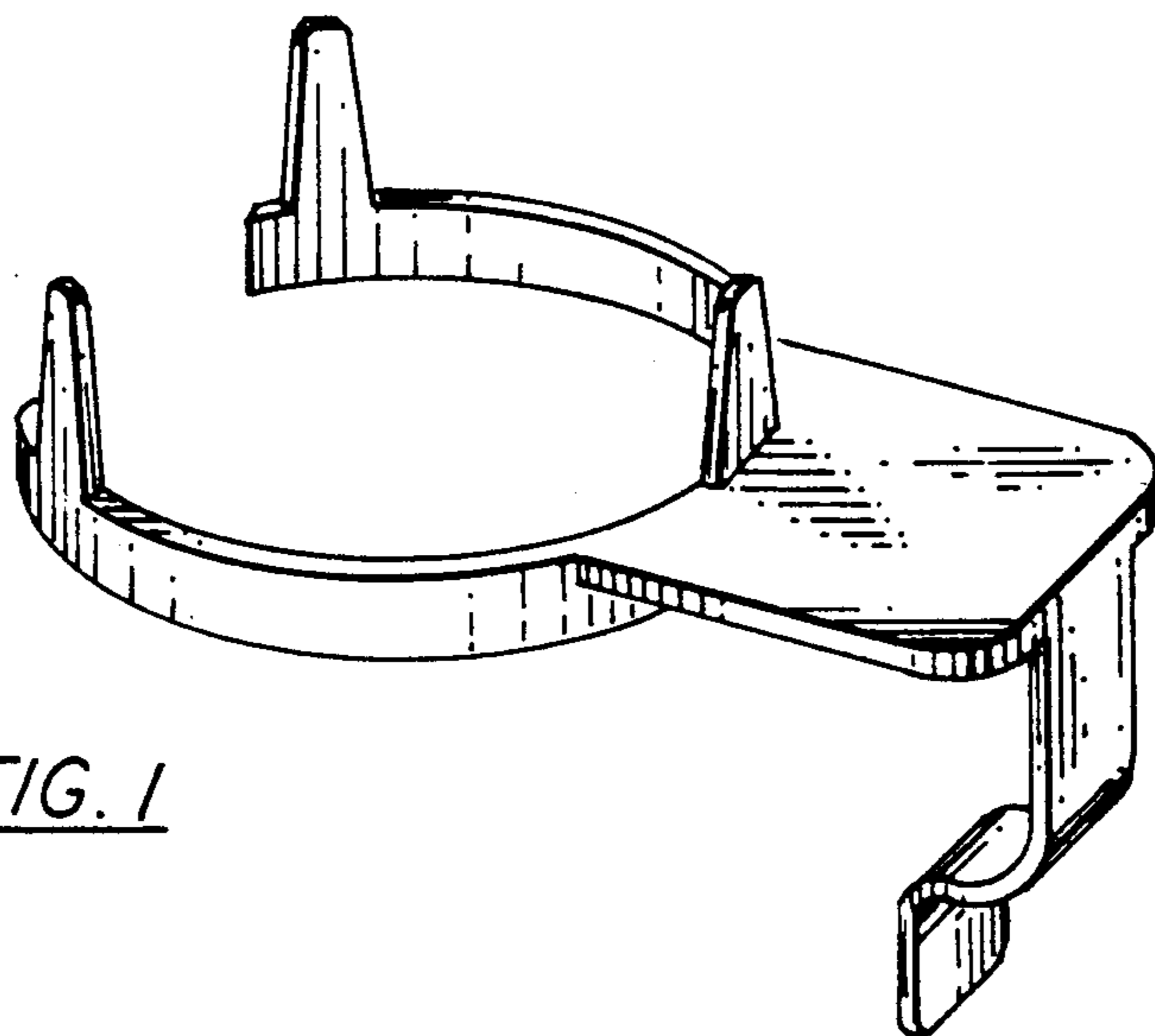


FIG. 1

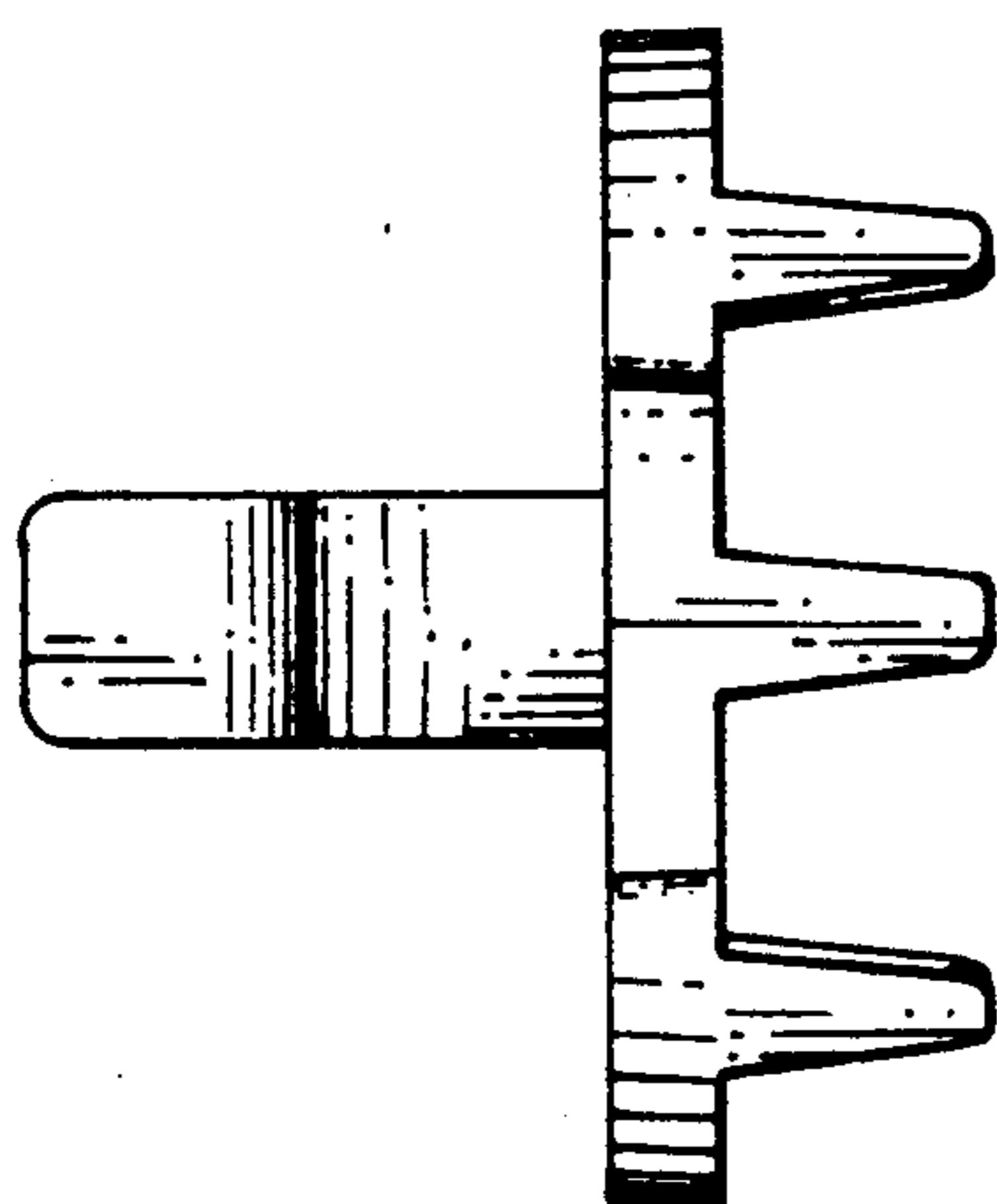


FIG. 6

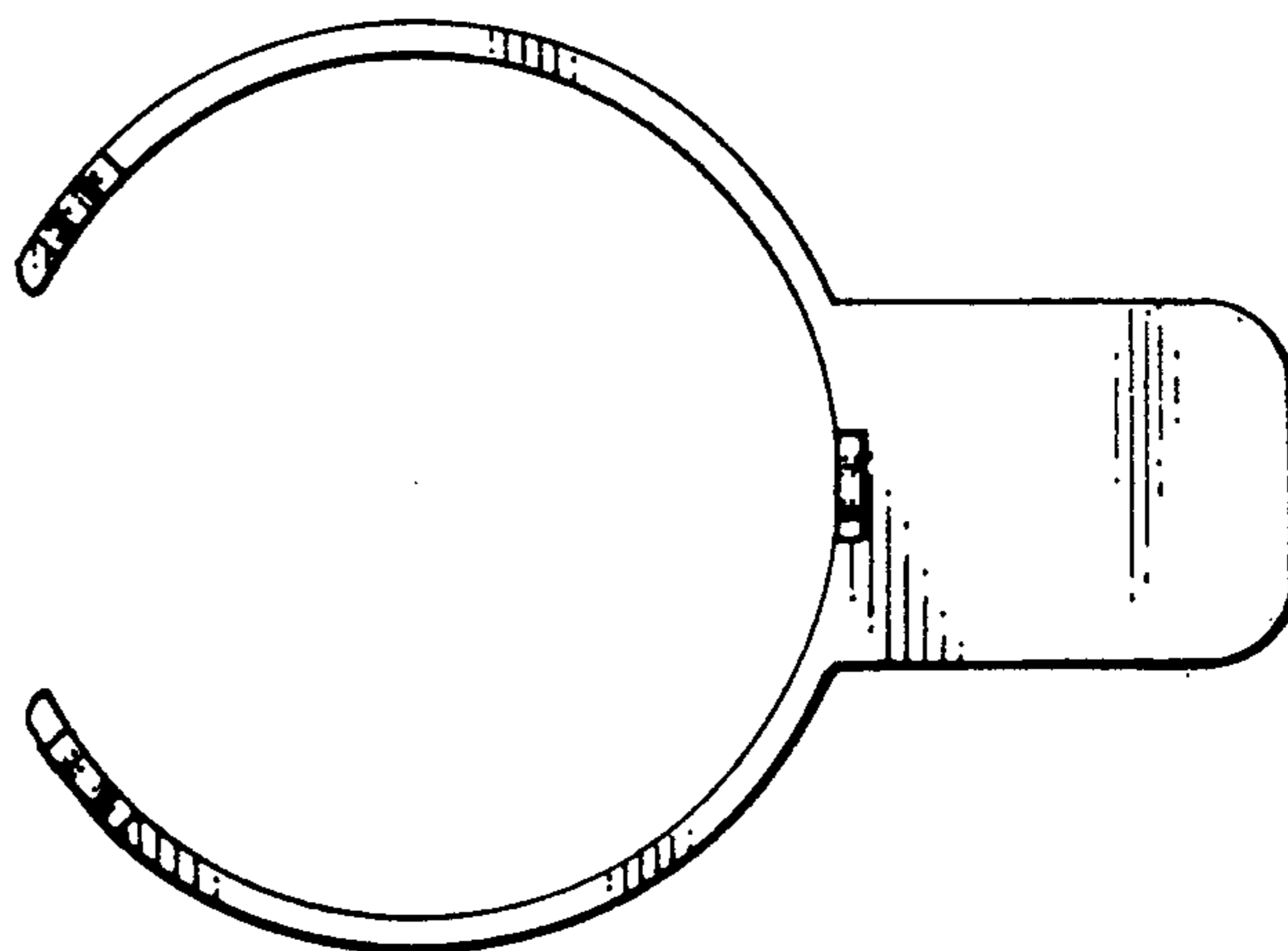


FIG. 2

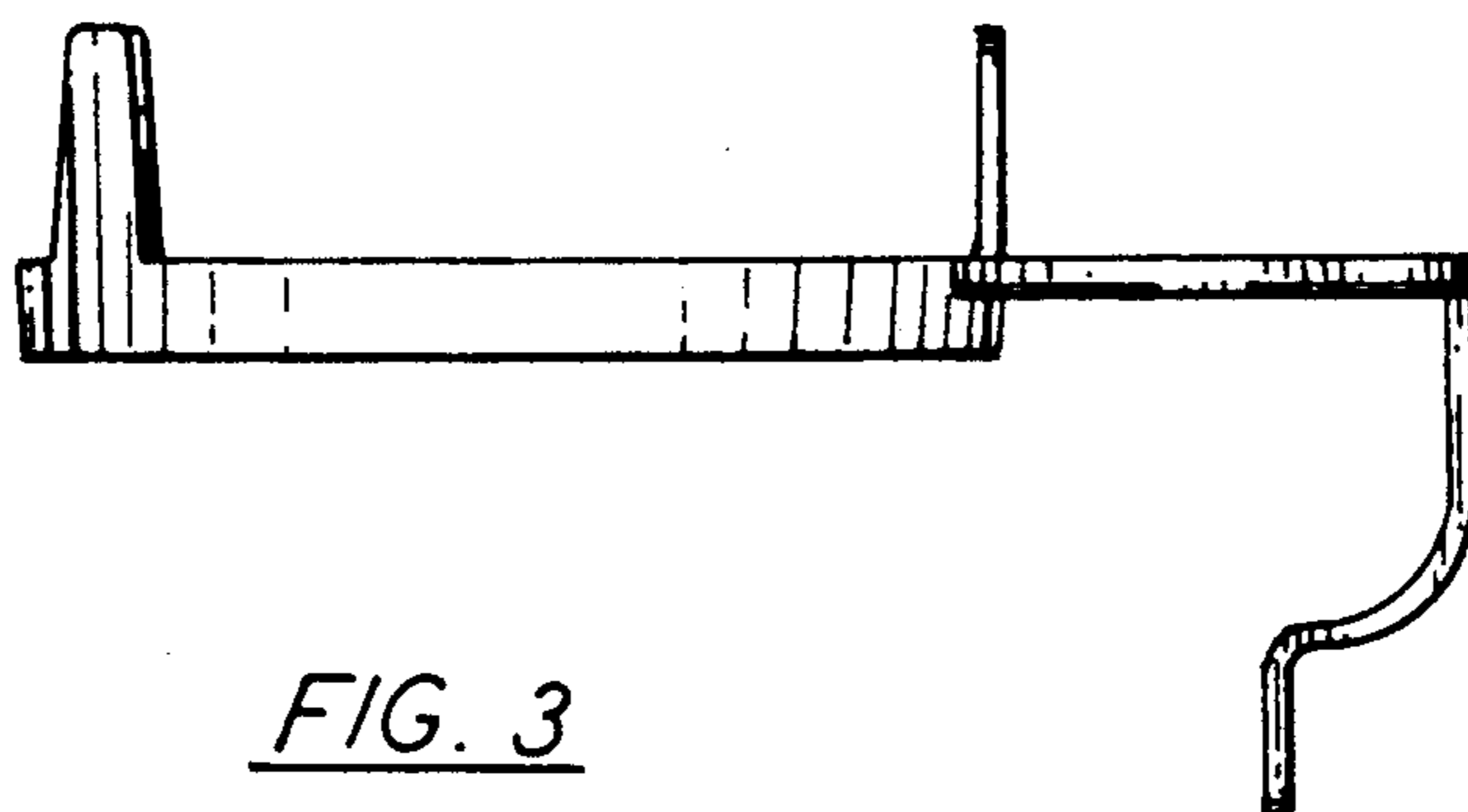


FIG. 3

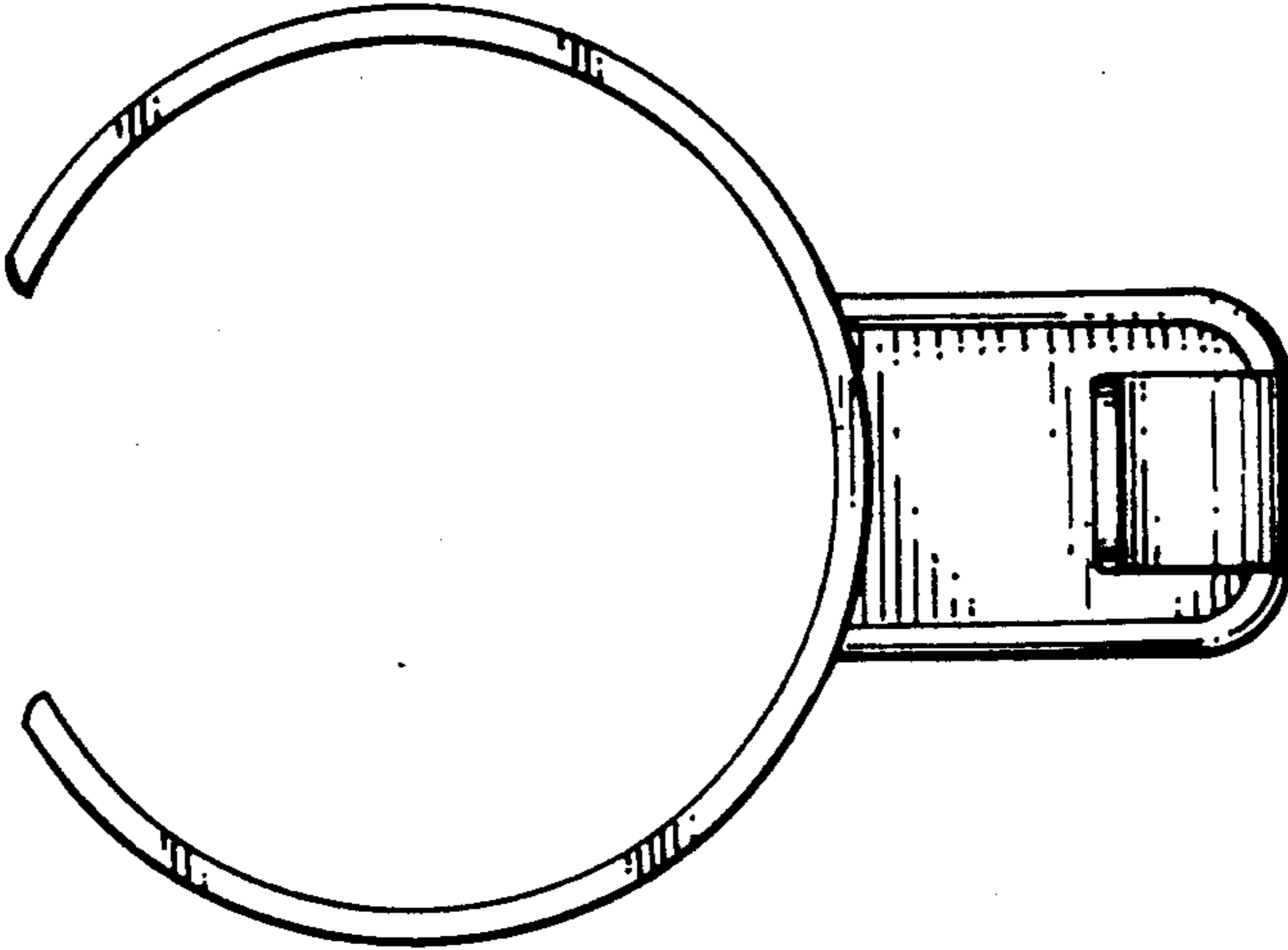


FIG. 4

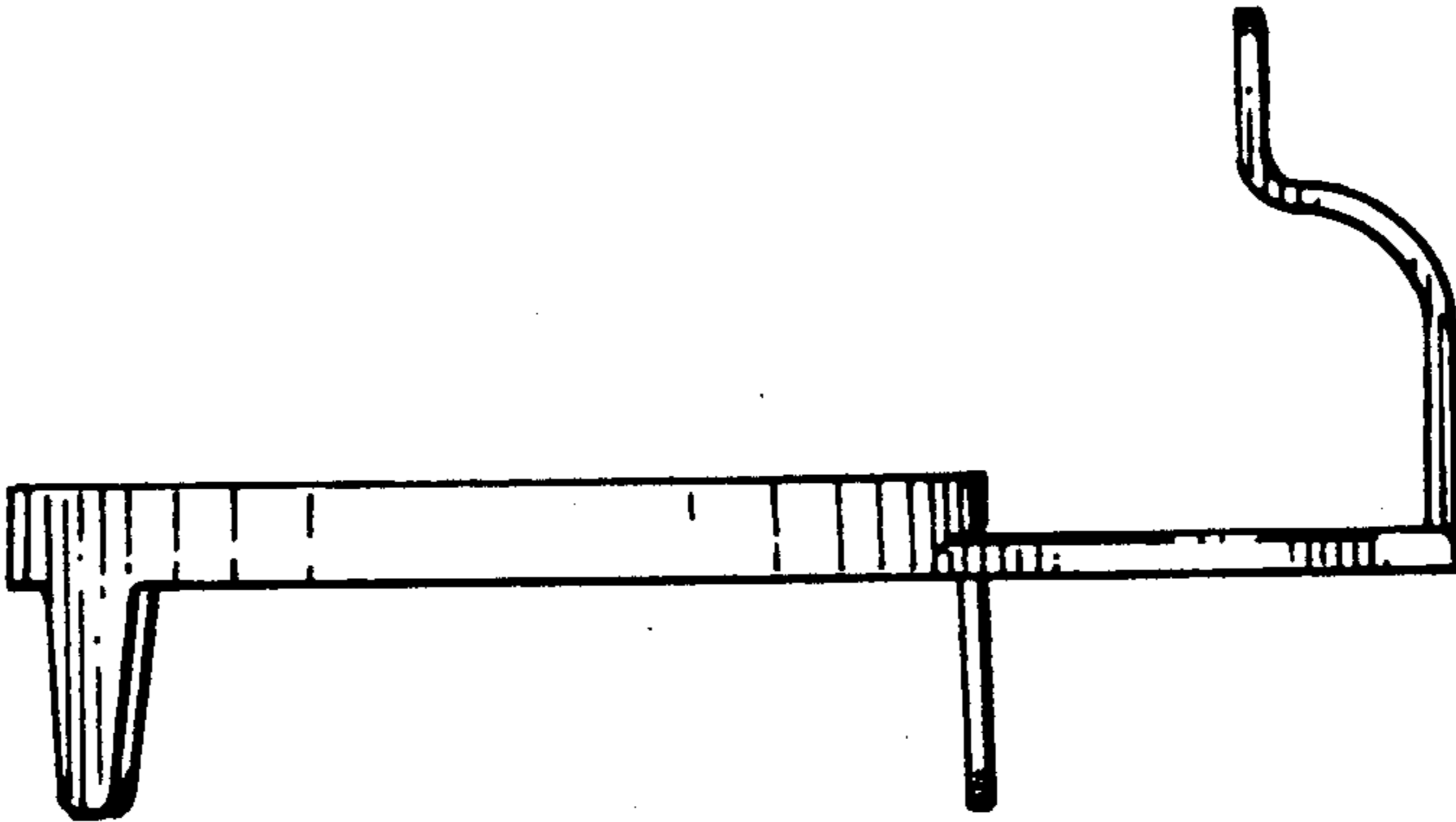


FIG. 5

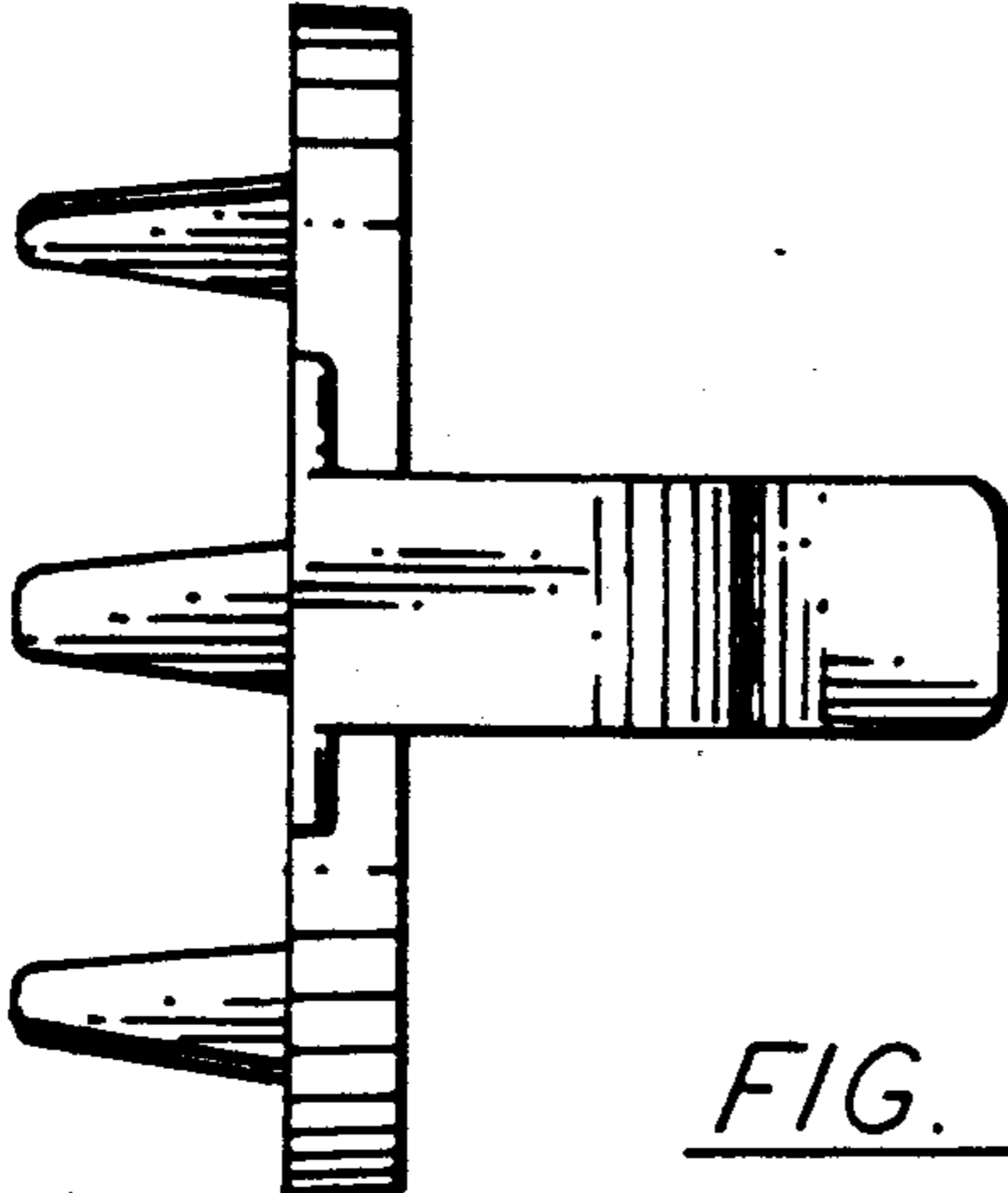


FIG. 7