

[54] CONTAINER HOLDER

[76] Inventor: Richard Sanford, R.D. #1, Box 24, Nineveh, N.Y. 13813

[**] Term: 14 Years

[21] Appl. No.: 298,669

[22] Filed: Jan. 19, 1989

[52] U.S. Cl. D7/616

[58] Field of Search D7/616-619, D7/622; D9/455; 294/159, 160; 248/311.2; 229/DIG. 6, DIG. 7, 1.5 H; D1/102, 105

[56] References Cited

U.S. PATENT DOCUMENTS

1,540,792 6/1925 McLaren et al. 294/159 X

1,659,344 2/1928 Wissman 294/159 X
1,778,425 10/1930 Maddocks et al. D7/616 X
3,142,425 7/1964 Cobb 294/31.2 X

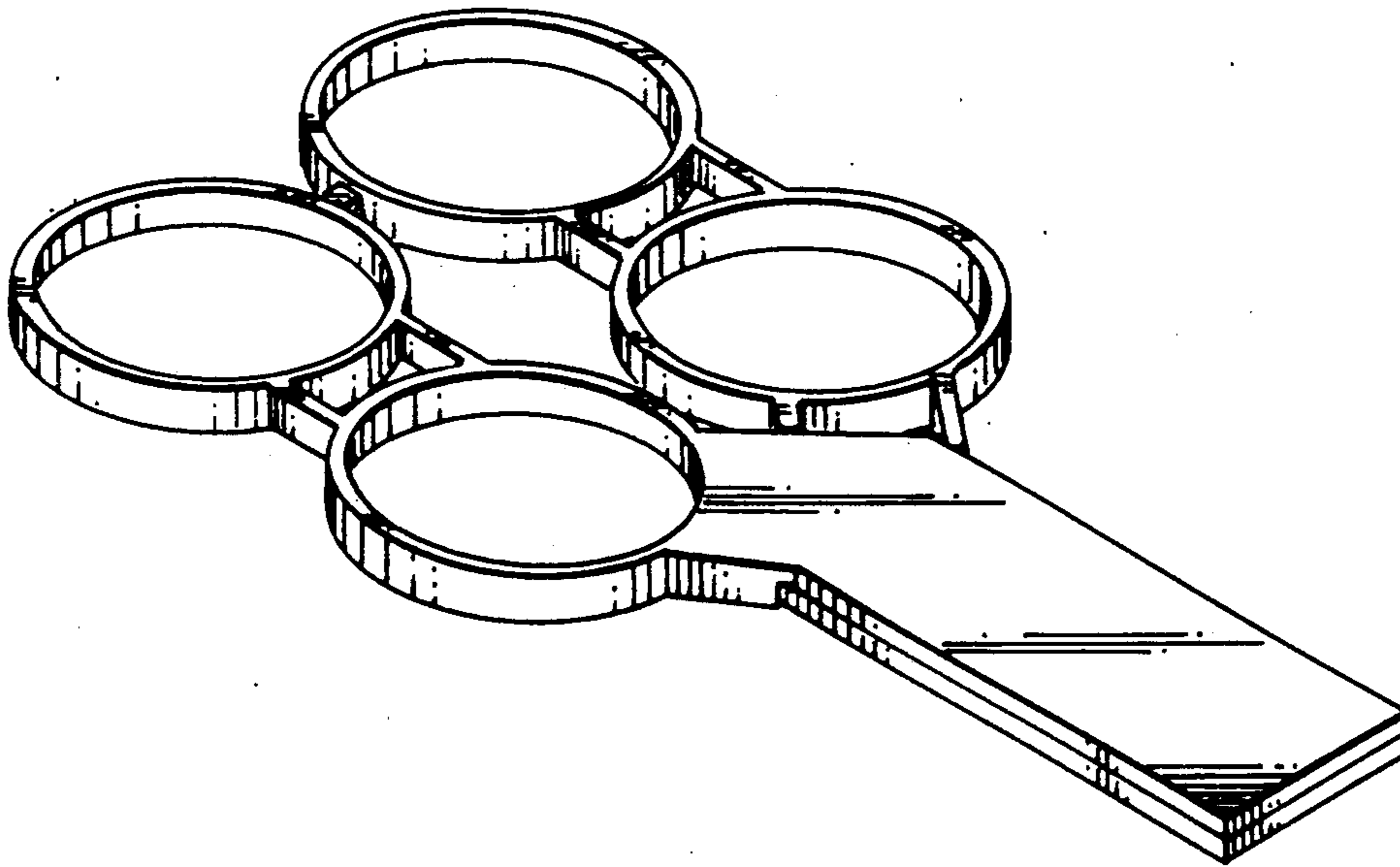
Primary Examiner—Terry A. Pfeffer

[57] CLAIM

The ornamental design for a container holder, as shown.

DESCRIPTION

FIG. 1 is a perspective view of a container holder showing my new design;
FIG. 2 is a top plan view thereof;
FIG. 3 is a left side elevational view thereof;
FIG. 4 is a right side elevational view thereof;
FIG. 5 is a front elevational view thereof; and
FIG. 6 is a rear elevational view thereof.



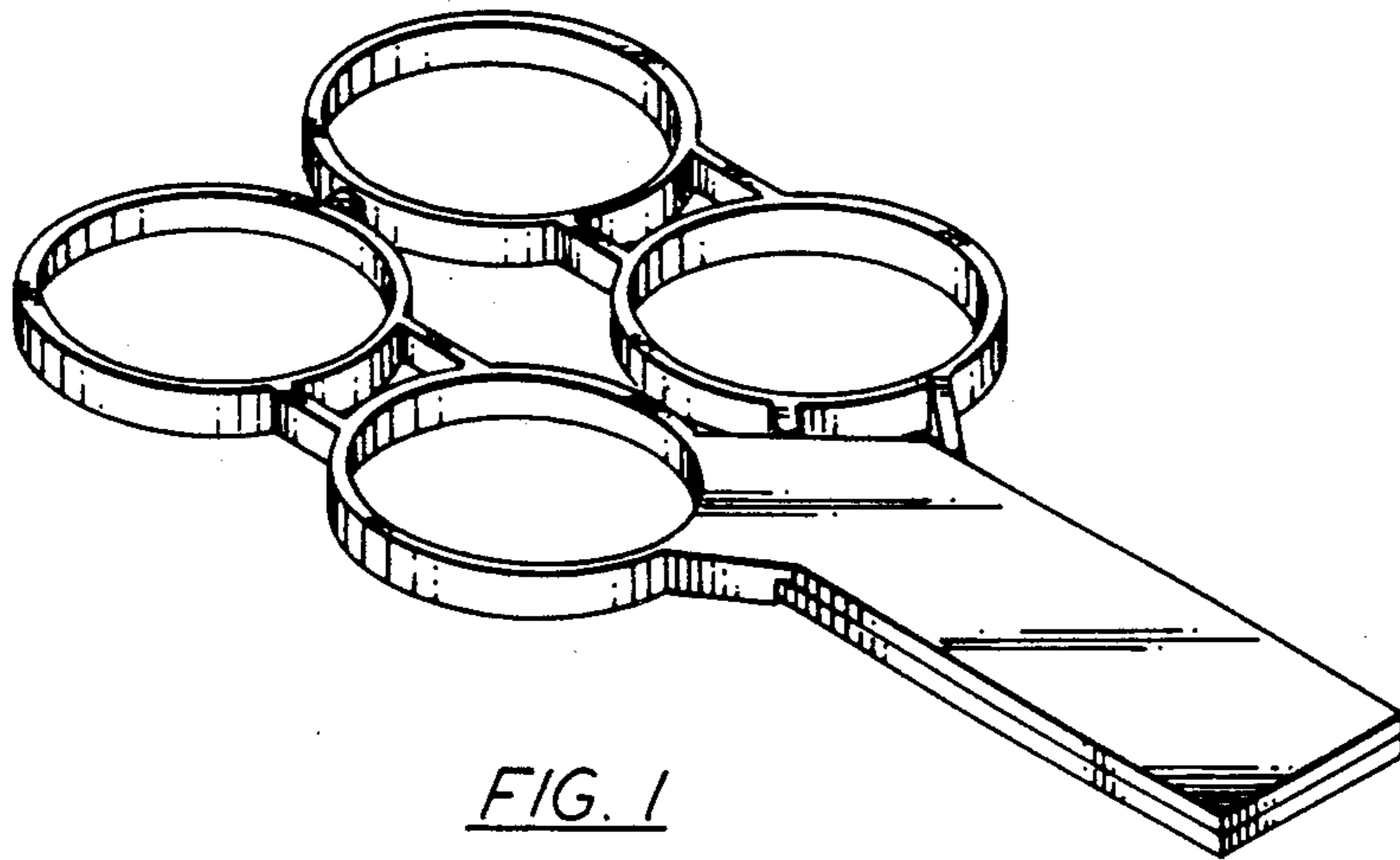


FIG. 1



FIG. 5

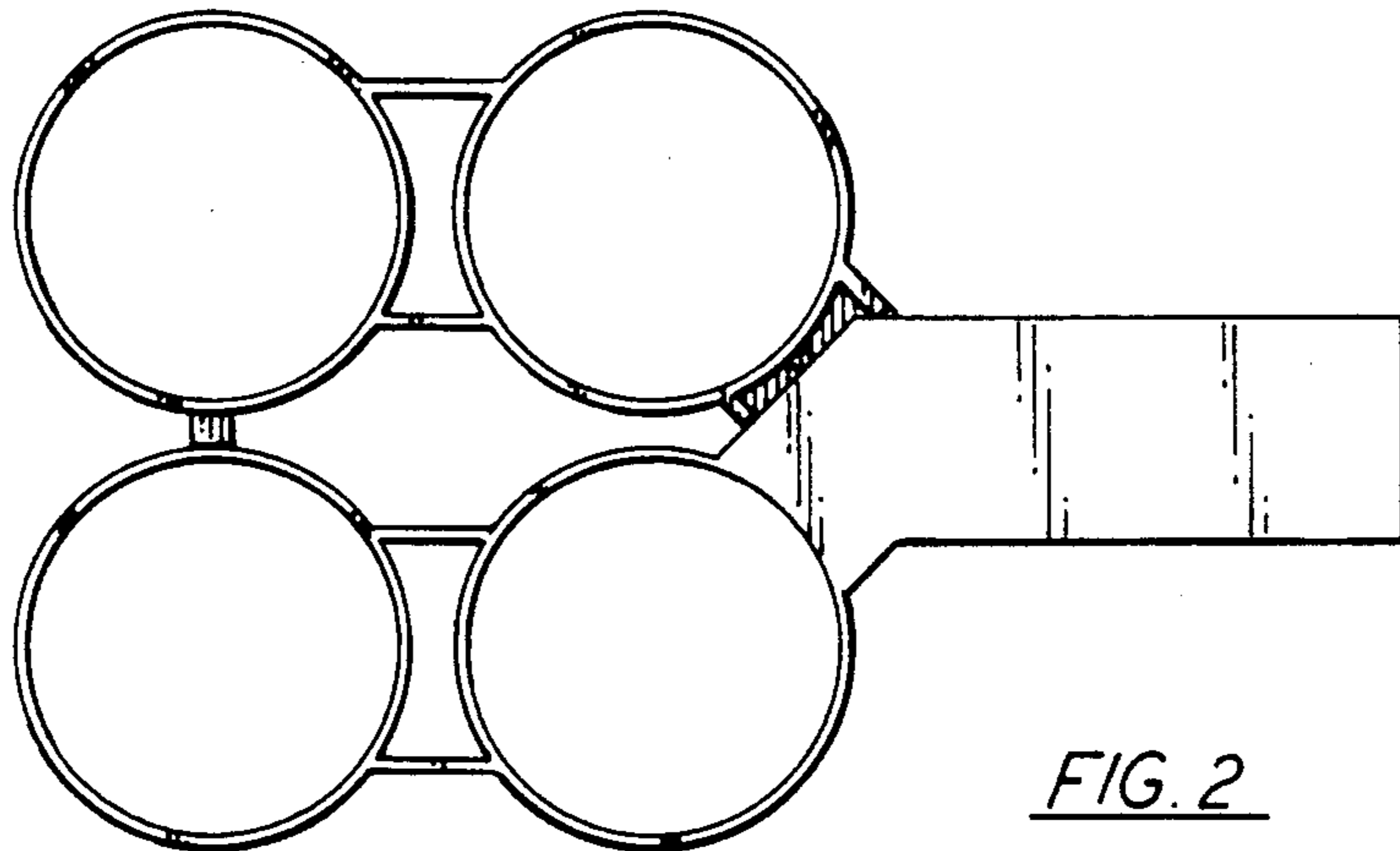


FIG. 2



FIG. 6

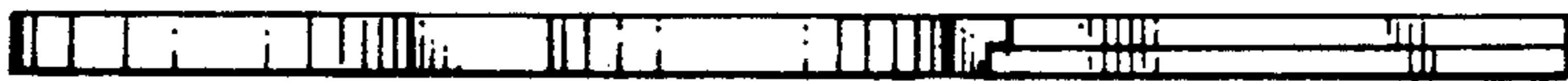


FIG. 3



FIG. 4