

[54] COFFEE MAKER

[75] Inventor: Alister Jack, Grijskerk, Netherlands

[73] Assignee: U.S. Philips Corporation, New York, N.Y.

[\*\*] Term: 14 Years

[21] Appl. No.: 152,597

[22] Filed: Feb. 2, 1988

[30] Foreign Application Priority Data

Aug. 4, 1987 [XB] Benelux ..... 62379-02  
 [52] U.S. Cl. .... D7/309  
 [58] Field of Search ..... D7/305, 308-311, D7/397, 399, 300, 312

[56] References Cited

U.S. PATENT DOCUMENTS

D. 296,180 6/1988 Jack ..... D7/309  
 D. 303,480 9/1989 Tsuji ..... D7/309  
 D. 304,409 11/1989 Beeren ..... D7/309

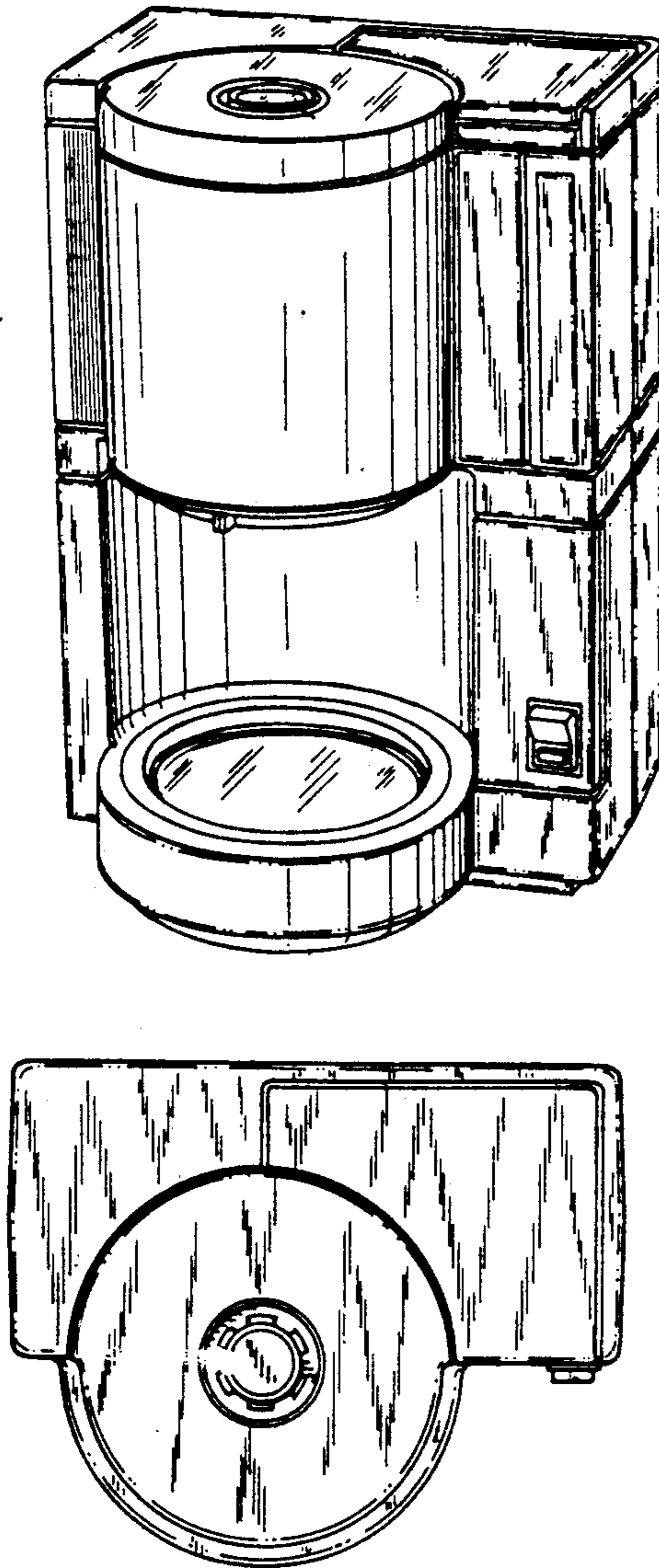
Primary Examiner—Winifred E. Herrmann

[57] CLAIM

The ornamental design for a coffee maker, as shown.

DESCRIPTION

FIG. 1 is a front, top and right side perspective view of a coffee maker showing my new design;  
 FIG. 2 is a front elevational view thereof;  
 FIG. 3 is a rear elevational view thereof;  
 FIG. 4 is a left side elevational view thereof;  
 FIG. 5 is a right side elevational view thereof;  
 FIG. 6 is a top plan view thereof; and  
 FIG. 7 is a bottom plan view thereof.



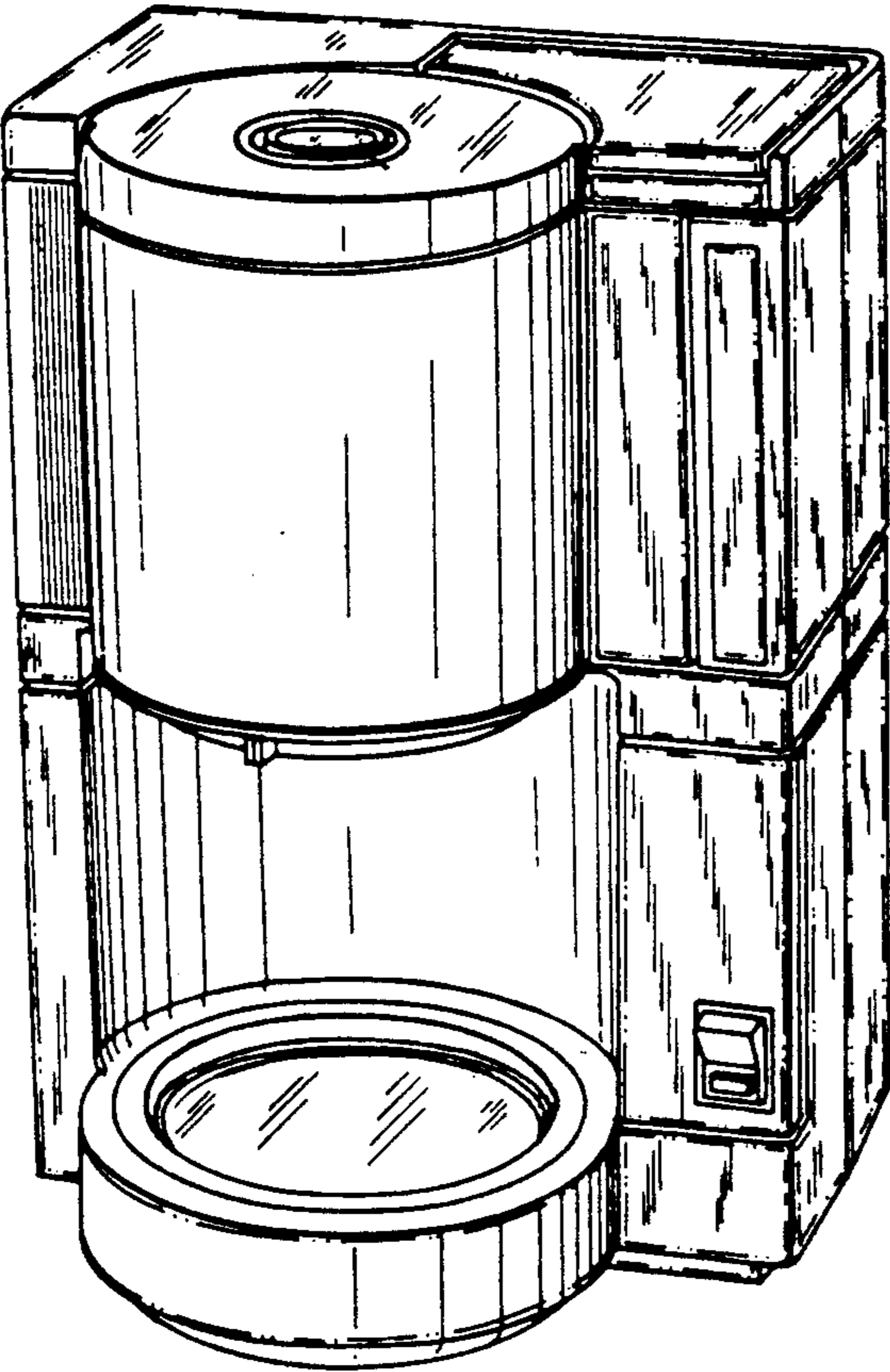


FIG.1

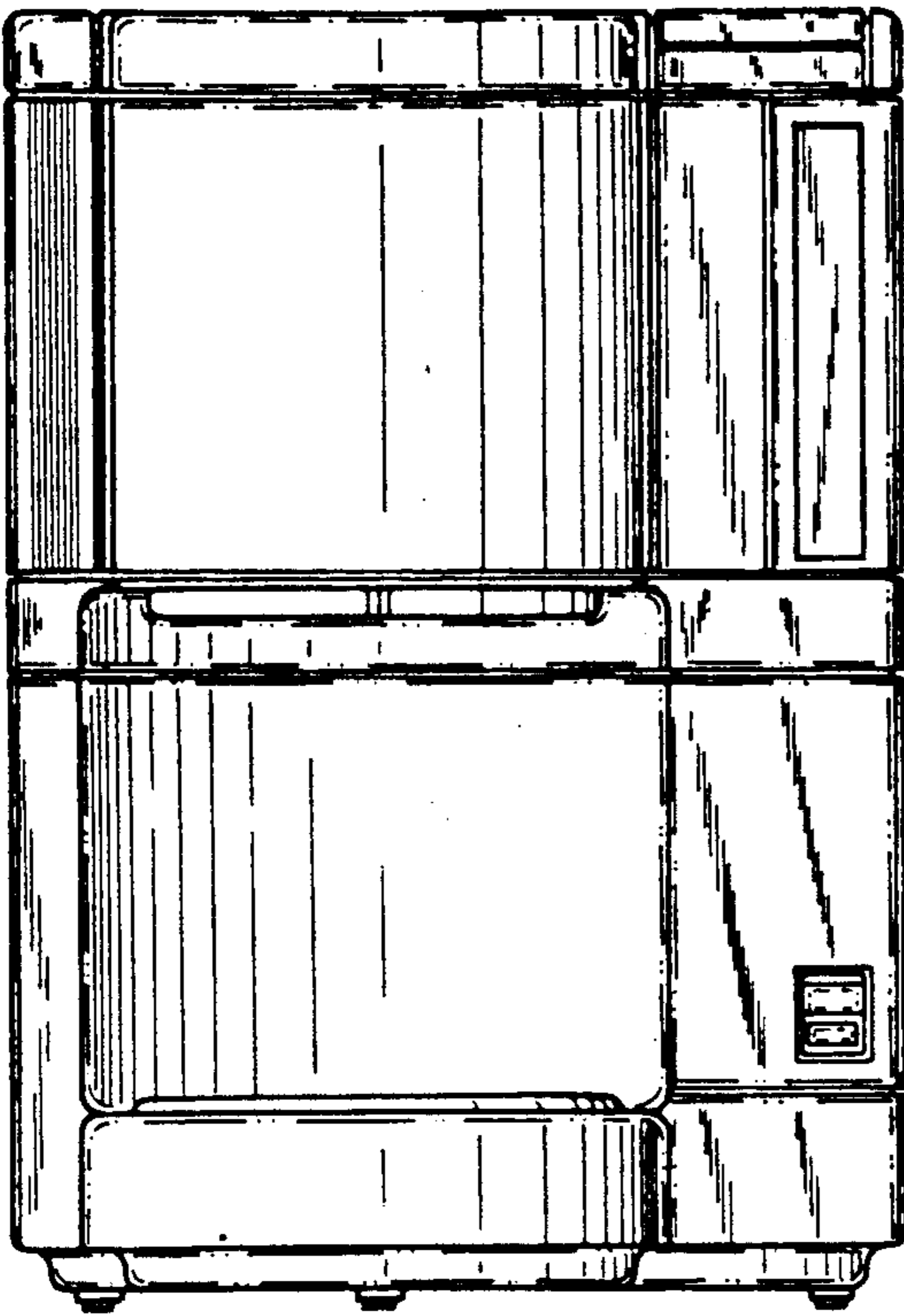


FIG. 2

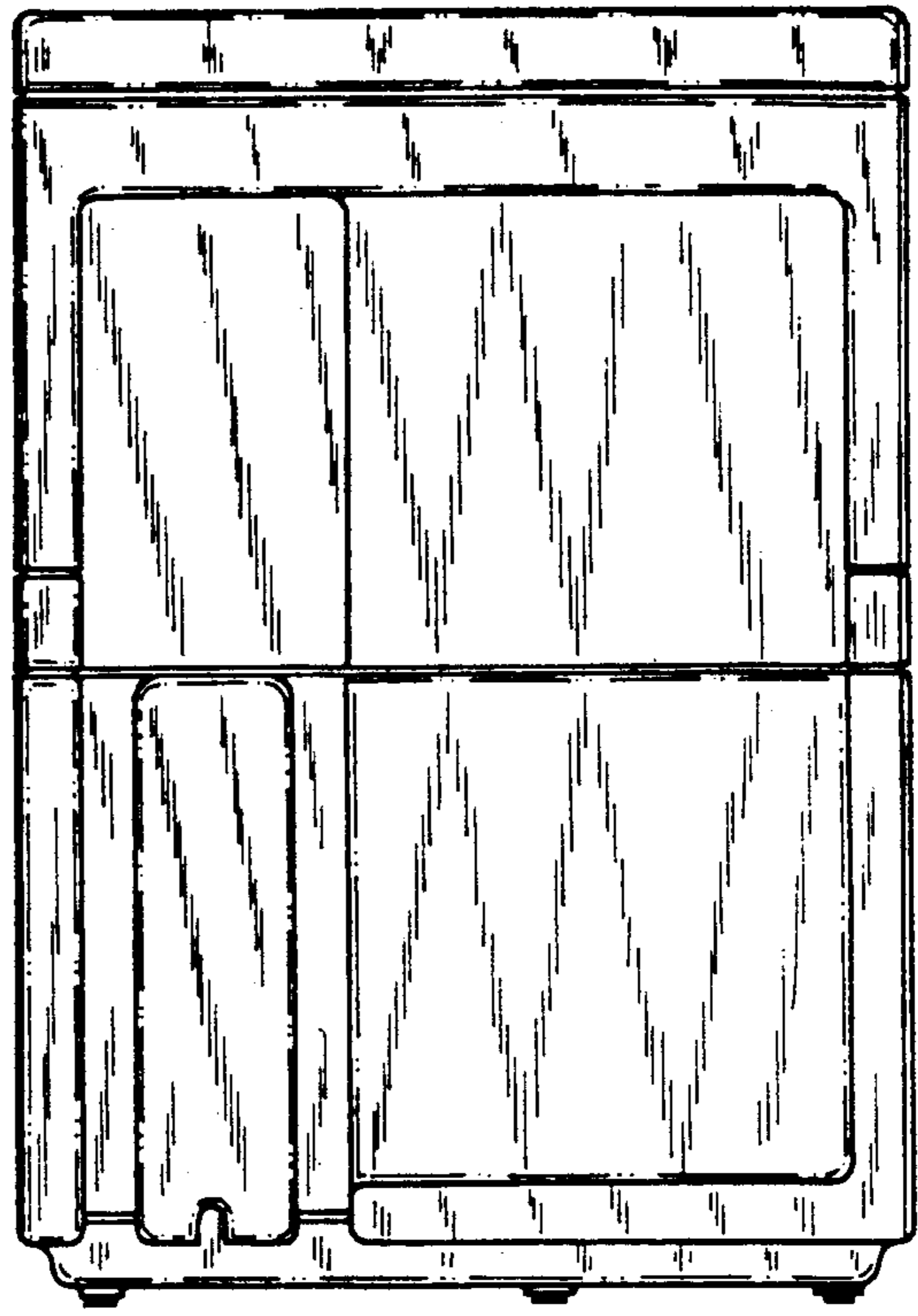


FIG. 3

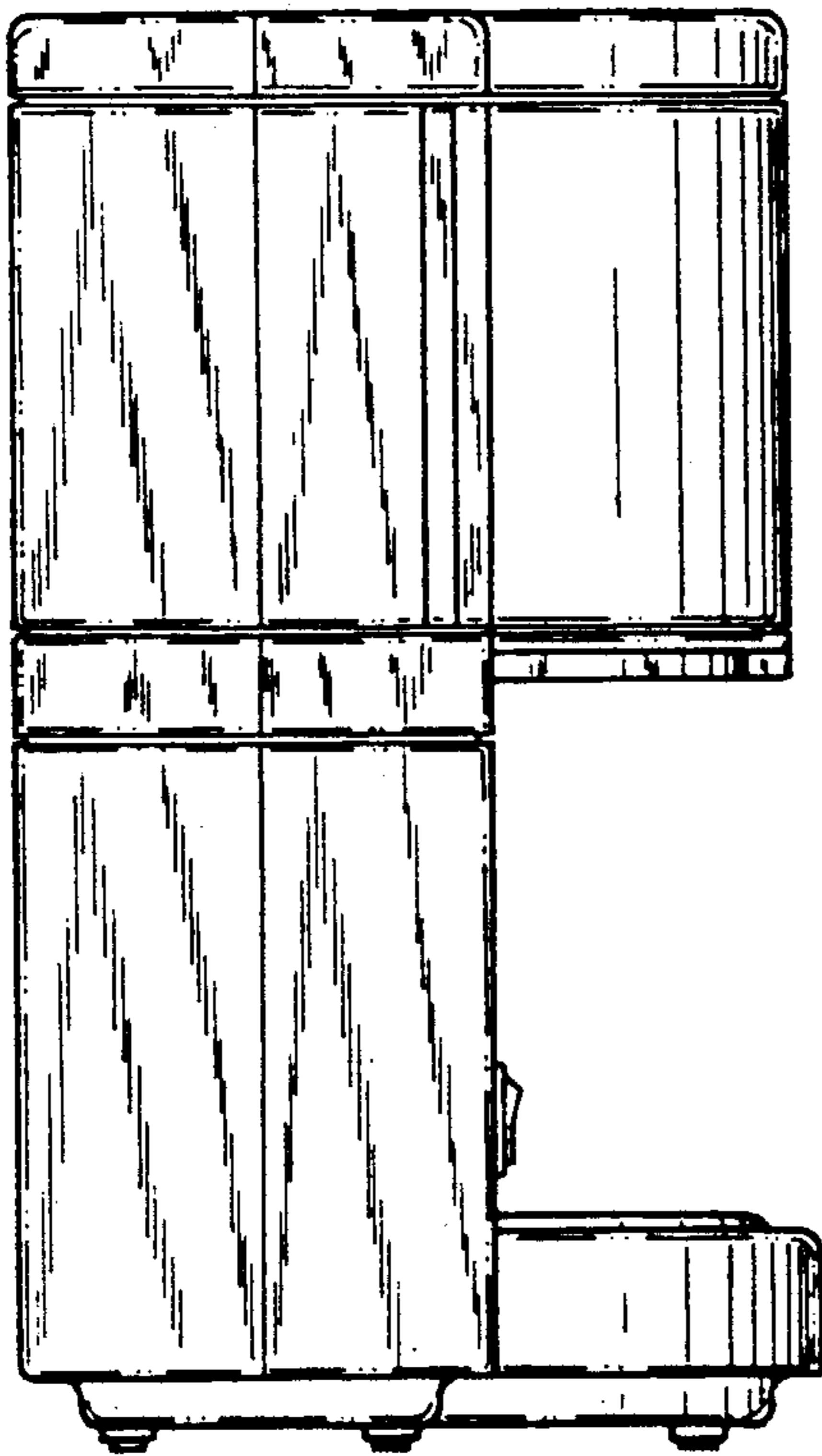


FIG. 4

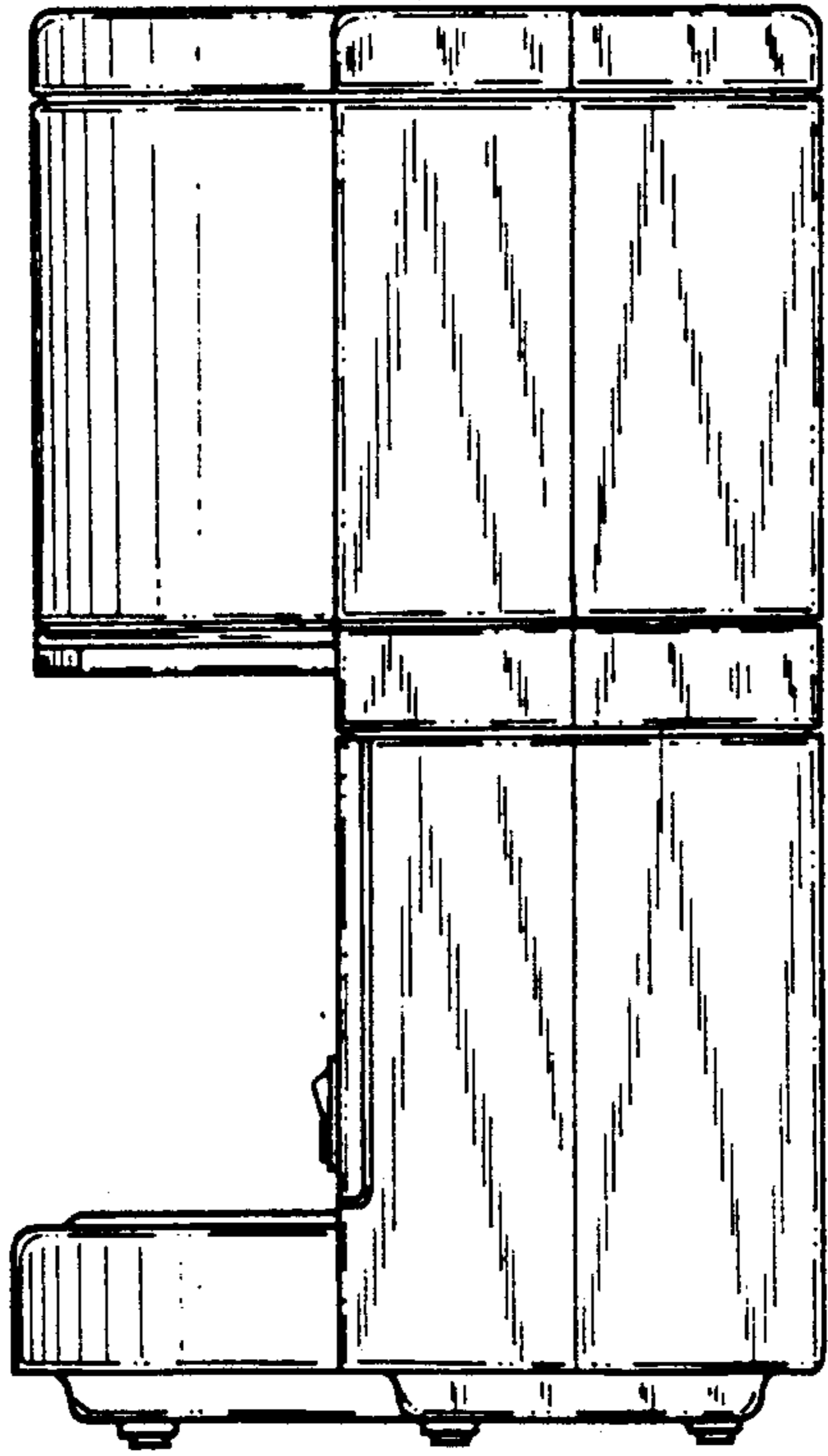


FIG. 5

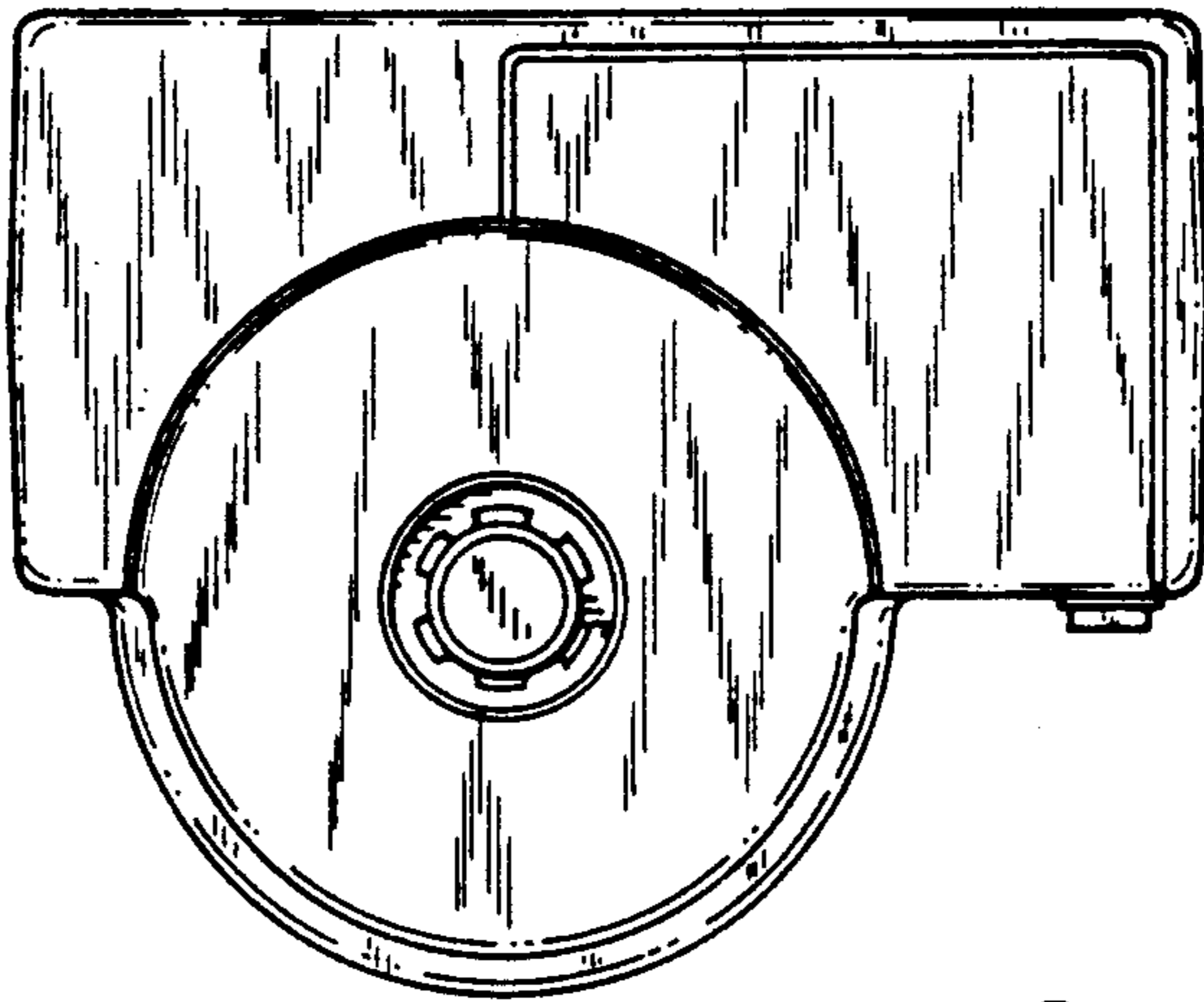


FIG. 6

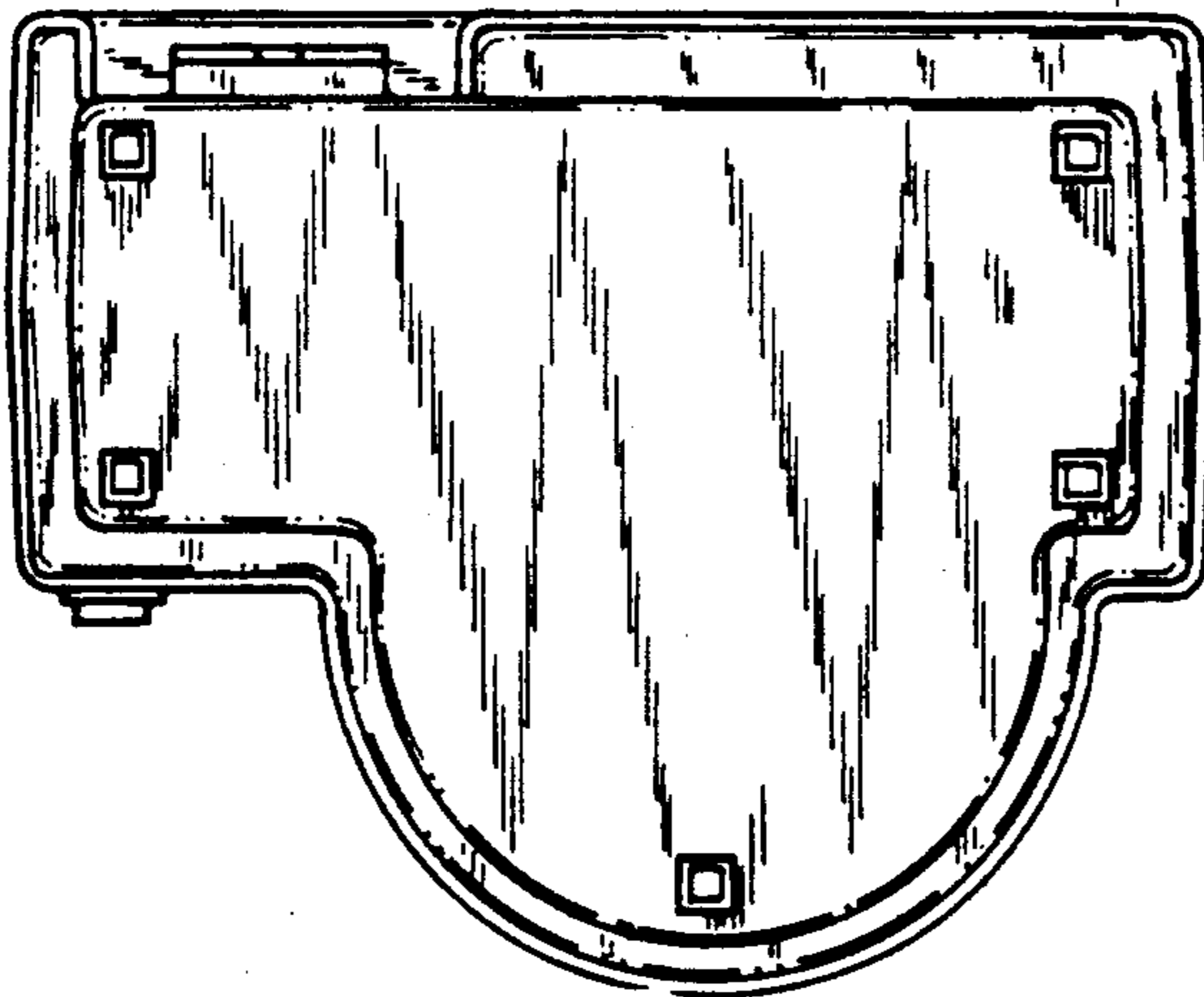


FIG. 7