

[54] BRUSH FOR A KITCHEN SINK SPRAYER

[76] Inventor: John Nicholson, 313 W. Pearl St., New Lisbon, Wis. 53950

[**] Term: 14 Years

[21] Appl. No.: 83,301

[22] Filed: Aug. 10, 1987

[52] U.S. Cl. D4/115; D23/213

[58] Field of Search D23/223-230, D23/226, 213, 239, 243; D32/75; D4/114, 115, 130; 15/246, 140 R, 159 R; 401/288, 268, 289; 239/289

[56] References Cited

U.S. PATENT DOCUMENTS

D. 113,346	8/1938	Fidel	D23/223
D. 142,992	11/1945	Dreyfuss	D23/226
D. 187,904	5/1960	Kellogg	D23/226
D. 191,975	12/1961	Lehman	D23/213
D. 195,324	5/1963	Gloor	D23/213
D. 202,757	11/1965	Hitchcock	D23/226
D. 207,440	4/1967	Bucknell et al.	D23/226
D. 233,606	11/1974	Rauh	D23/226
D. 242,352	11/1976	Uyeda	D23/226

1,184,662	5/1916	Semple	401/288
1,470,825	10/1923	Fritz	401/288
2,724,849	11/1955	Schultz	401/268
2,945,252	7/1960	Martineau	401/288
3,485,563	12/1969	Chennell	401/288

FOREIGN PATENT DOCUMENTS

48511	11/1985	United Kingdom	401/289
-------	---------	----------------------	---------

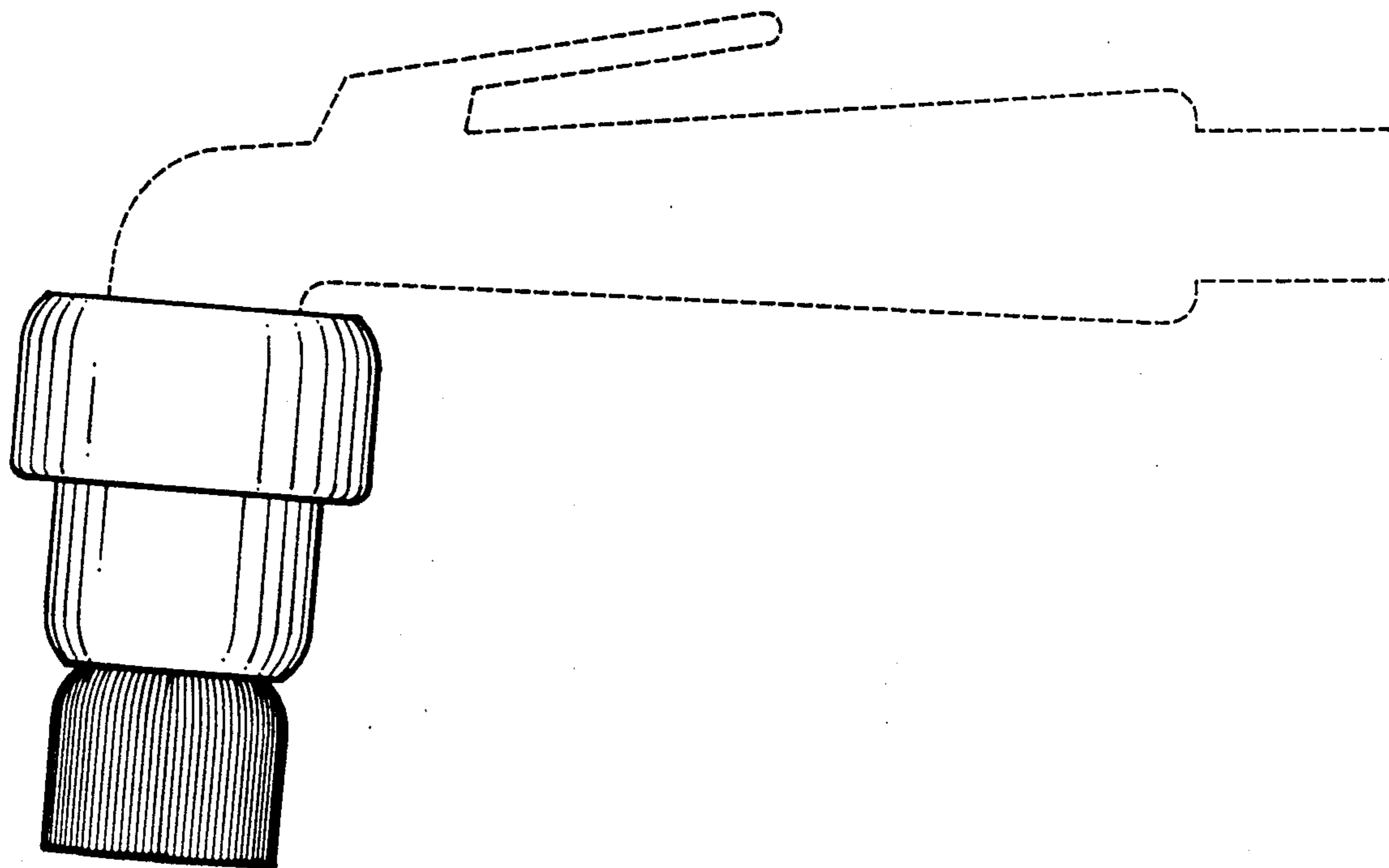
Primary Examiner—James R. Largen
Attorney, Agent, or Firm—Jerry T. Kearns

[57] CLAIM

The ornamental design for a brush for a kitchen sink sprayer, as shown and described.

DESCRIPTION

FIG. 1 is a side elevational view of a brush for a kitchen sink sprayer showing my new design, the other sides being the same as the side shown; FIG. 2 is a top plan view thereof; FIG. 3 is a bottom plan view thereof; and, FIG. 4 is another side elevational view thereof; The broken line representation of a kitchen sink sprayer in FIG. 4 is for purposes of illustration only and forms no part of the claimed design.



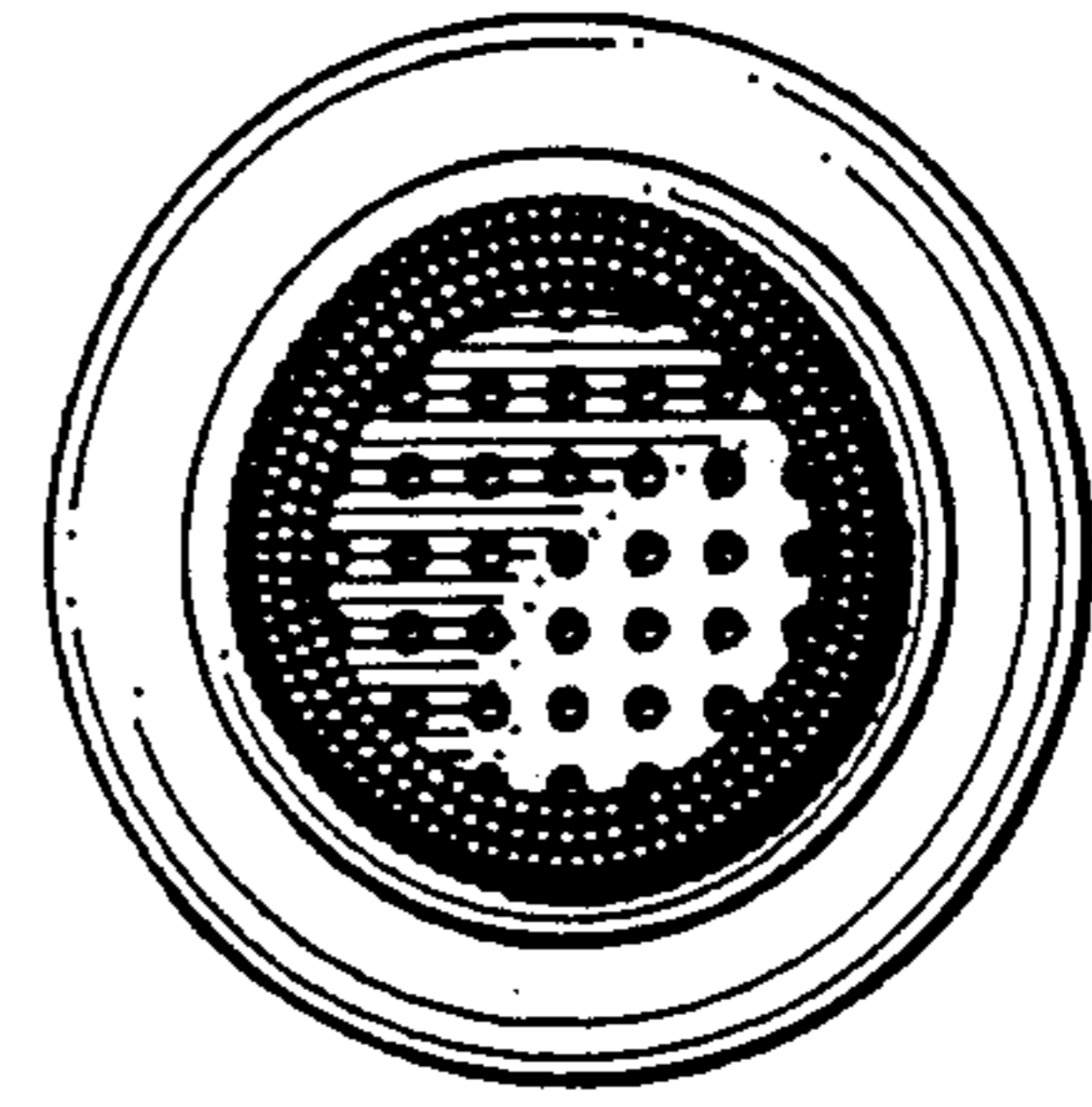
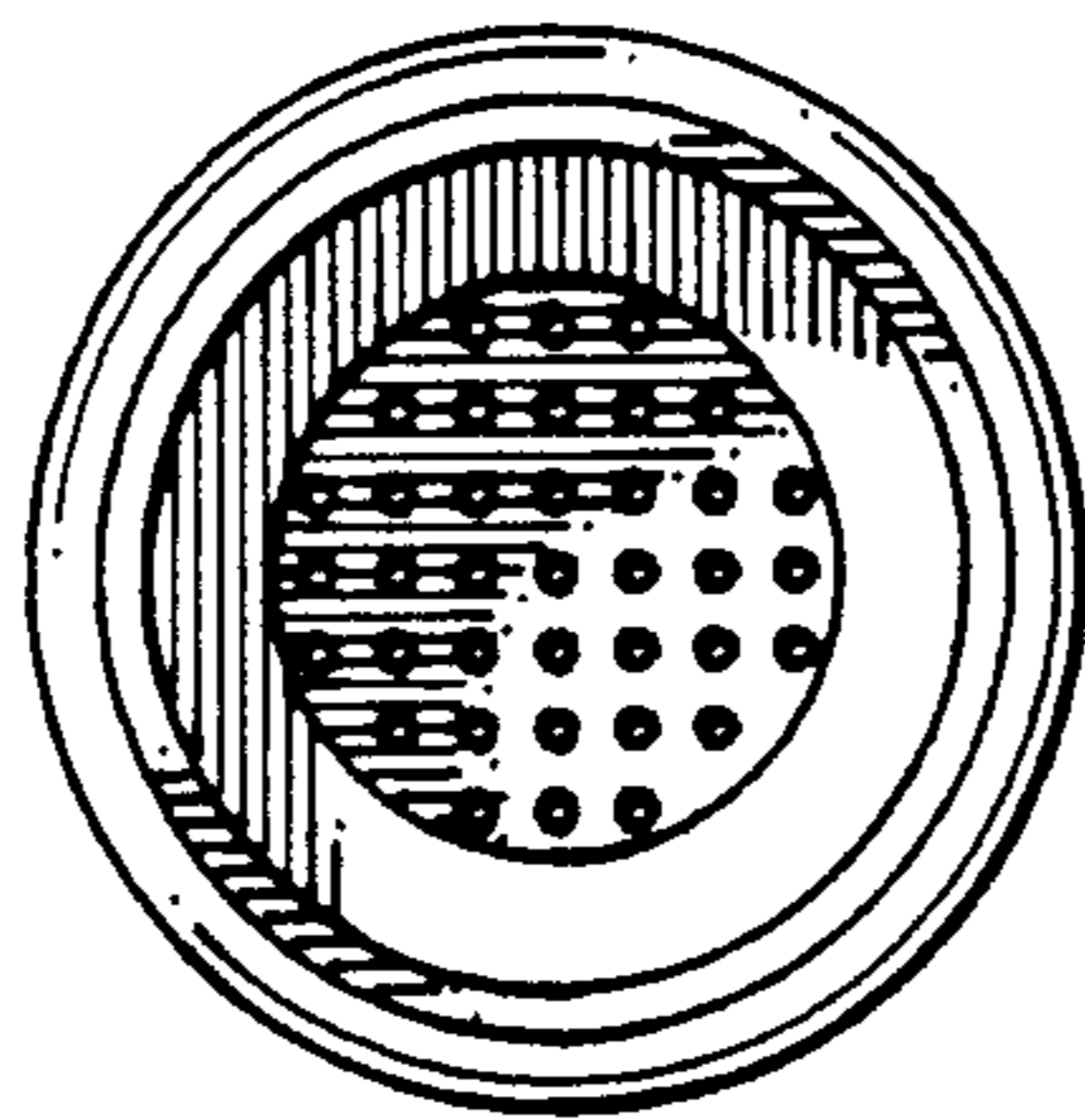
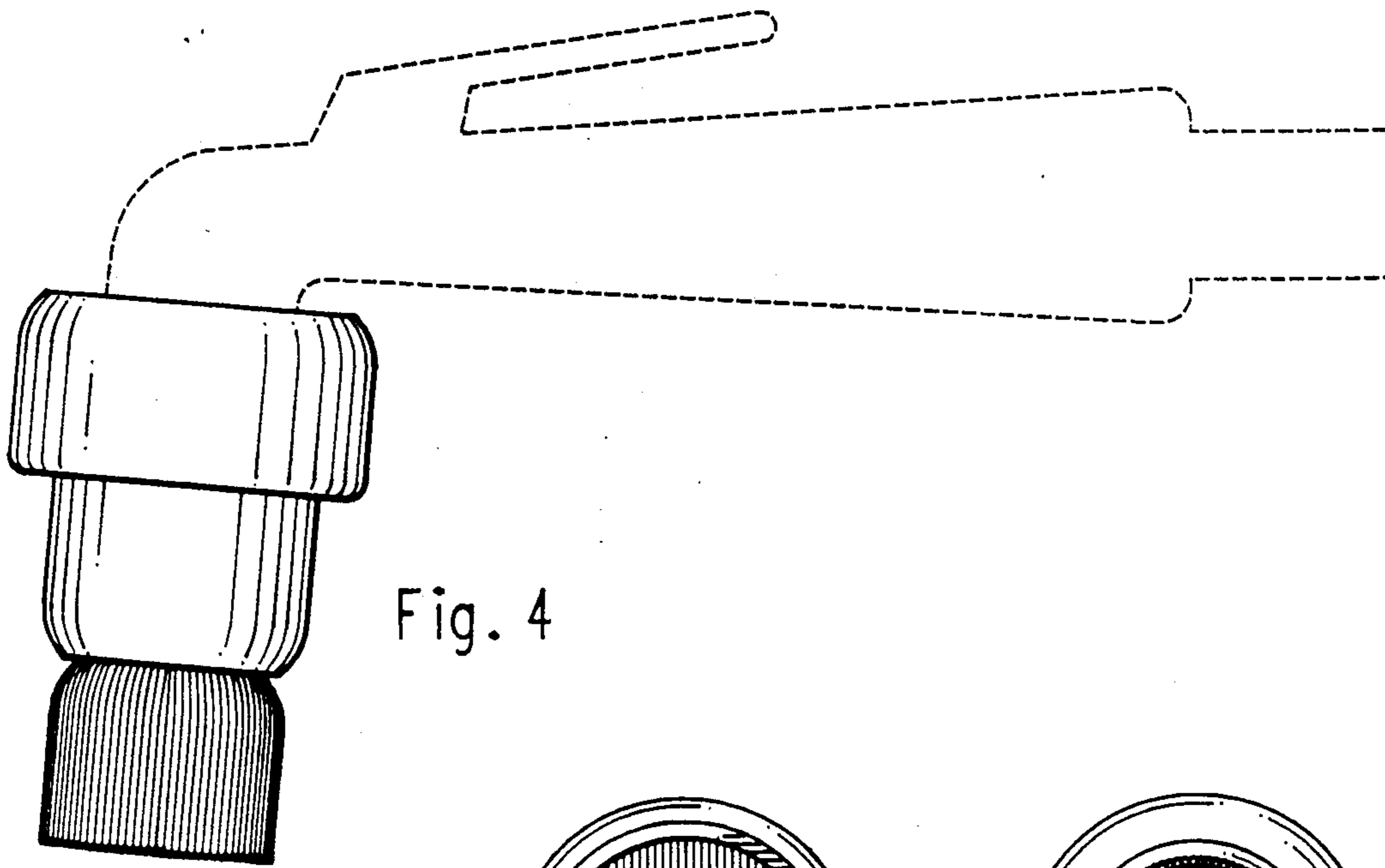
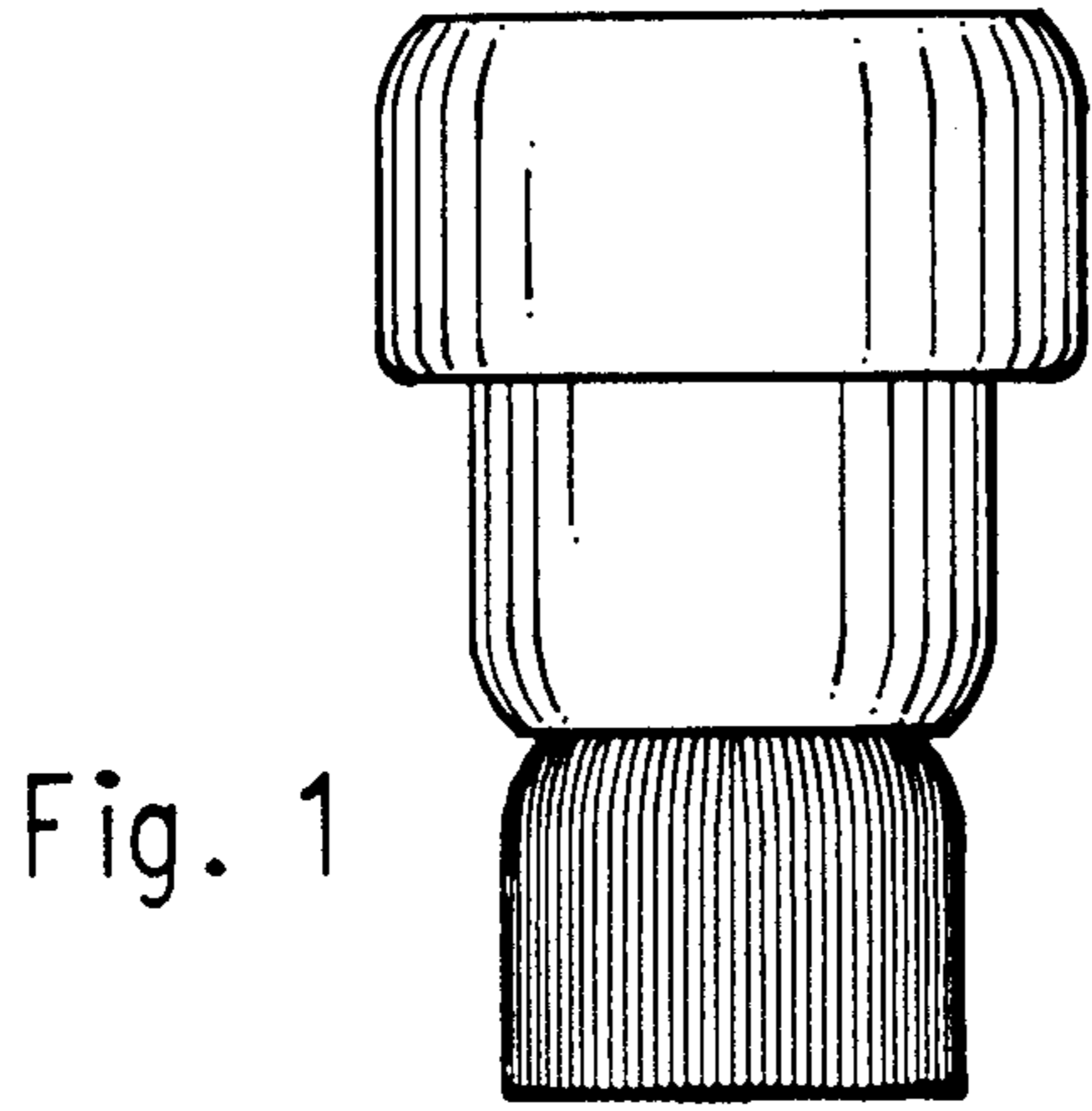


Fig. 2

Fig. 3