

[54] SAW BLADE CONTAINER

4,714,158 12/1987 Oltman ..... 206/372 X

[75] Inventor: Sture Alm, Sandviken, Sweden

OTHER PUBLICATIONS

[73] Assignee: Sandvik Aktiebolag, Sandviken, Sweden

*Production Devices/Jensen Tools & Alloys*, 5/1970, Speedy Bend.

[\*\*] Term: 14 Years

*Millers Falls*, 7/1971, p. 42, 3 cases shown.

[21] Appl. No.: 102,601

*Primary Examiner*—Nelson C. Holtje

[22] Filed: Sep. 29, 1987

*Assistant Examiner*—Gary D. Watson

*Attorney, Agent, or Firm*—Burns, Doane, Swecker & Mathis

[30] Foreign Application Priority Data

[57] CLAIM

Jun. 4, 1987 [SE] Sweden ..... 870767

[52] U.S. Cl. .... D3/30.1; D8/71; D9/414

The ornamental design for a saw blade container, as shown and described.

[58] Field of Search ..... D8/71; D3/30.1; 206/234, 349, 372; D9/414, 424; 229/9, 11, 19, 20

DESCRIPTION

FIG. 1 is a top perspective view of a saw blade container showing my new design;

FIG. 2 is a top perspective view thereof in a partially opened position;

FIG. 3 is a perspective view of the two portions thereof;

FIG. 4 is a left end elevation view thereof; and

FIG. 5 is a top perspective view from the other side thereof.

[56] References Cited

U.S. PATENT DOCUMENTS

- 1,482,085 1/1924 Marks ..... 206/372
- 2,292,279 8/1942 Marton ..... 229/9
- 3,003,625 10/1961 Anderson ..... 206/349 X

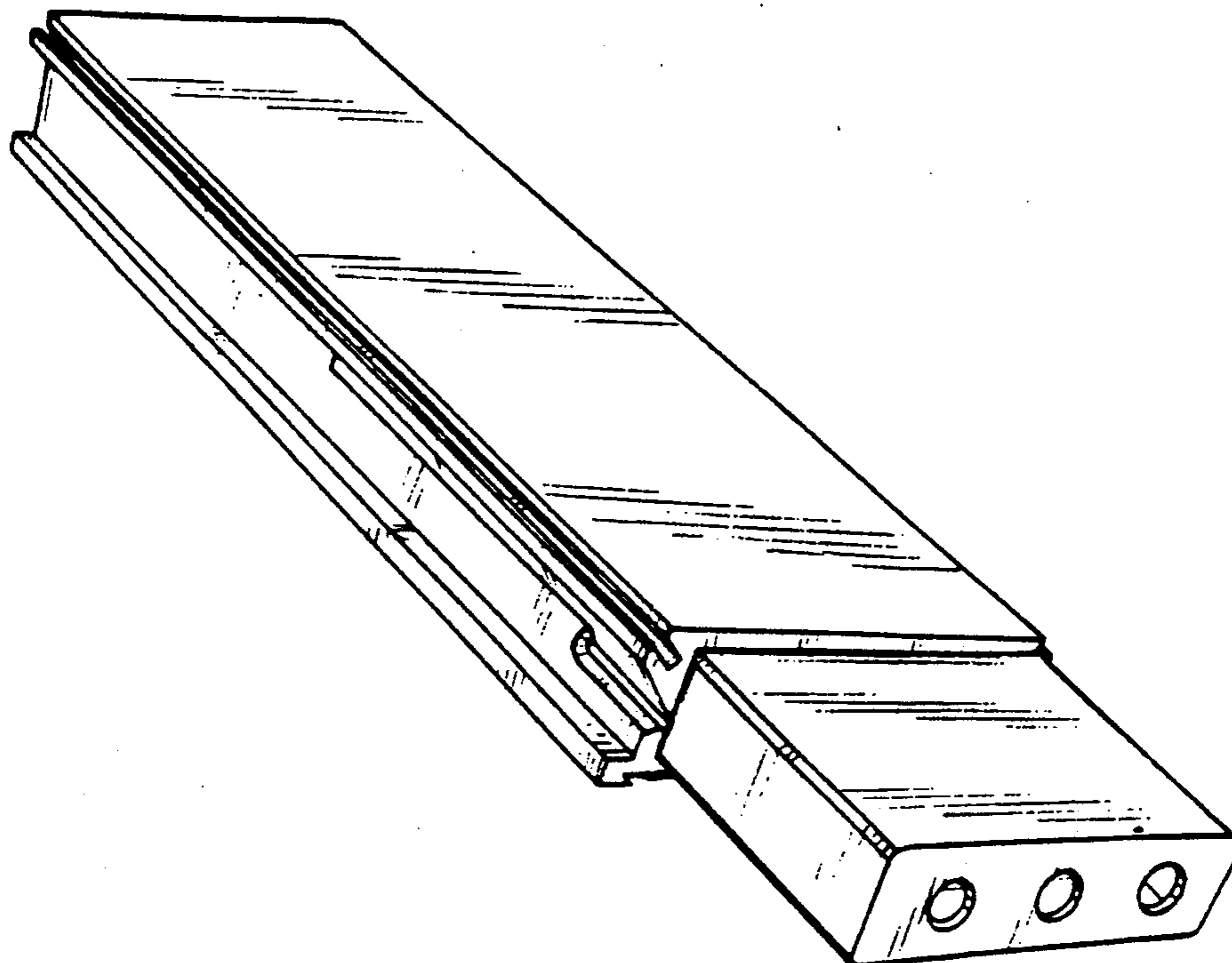


FIG. 1

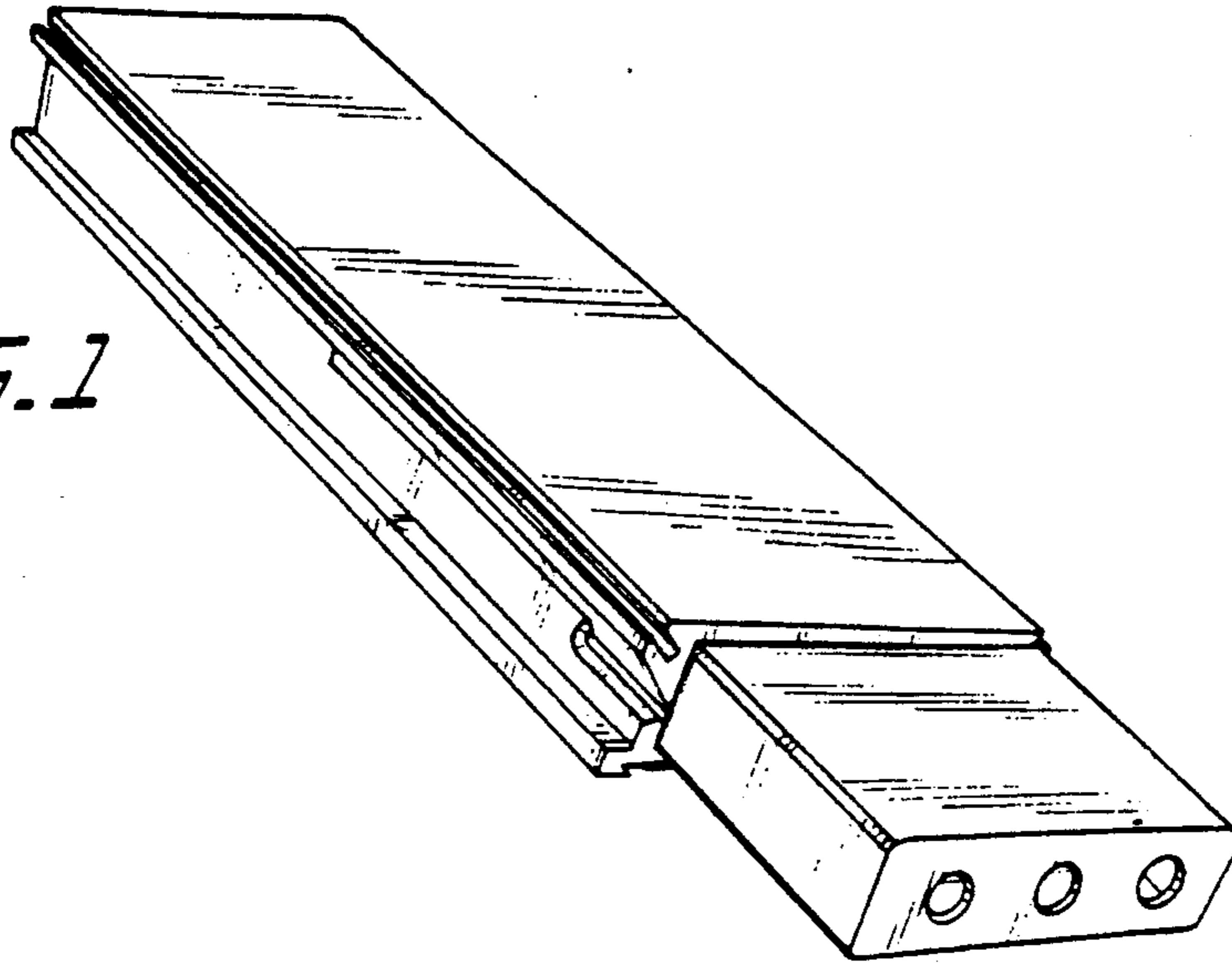
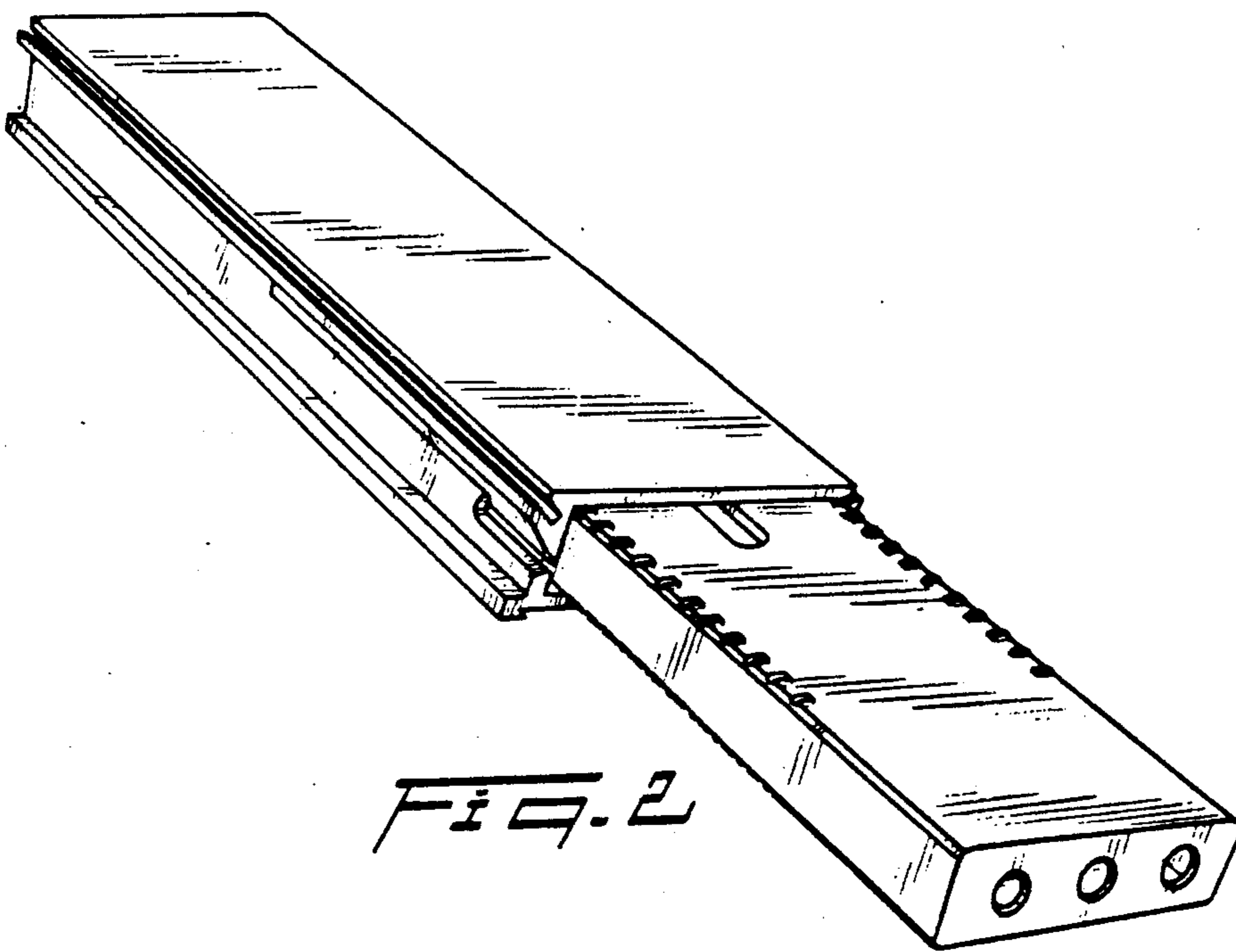
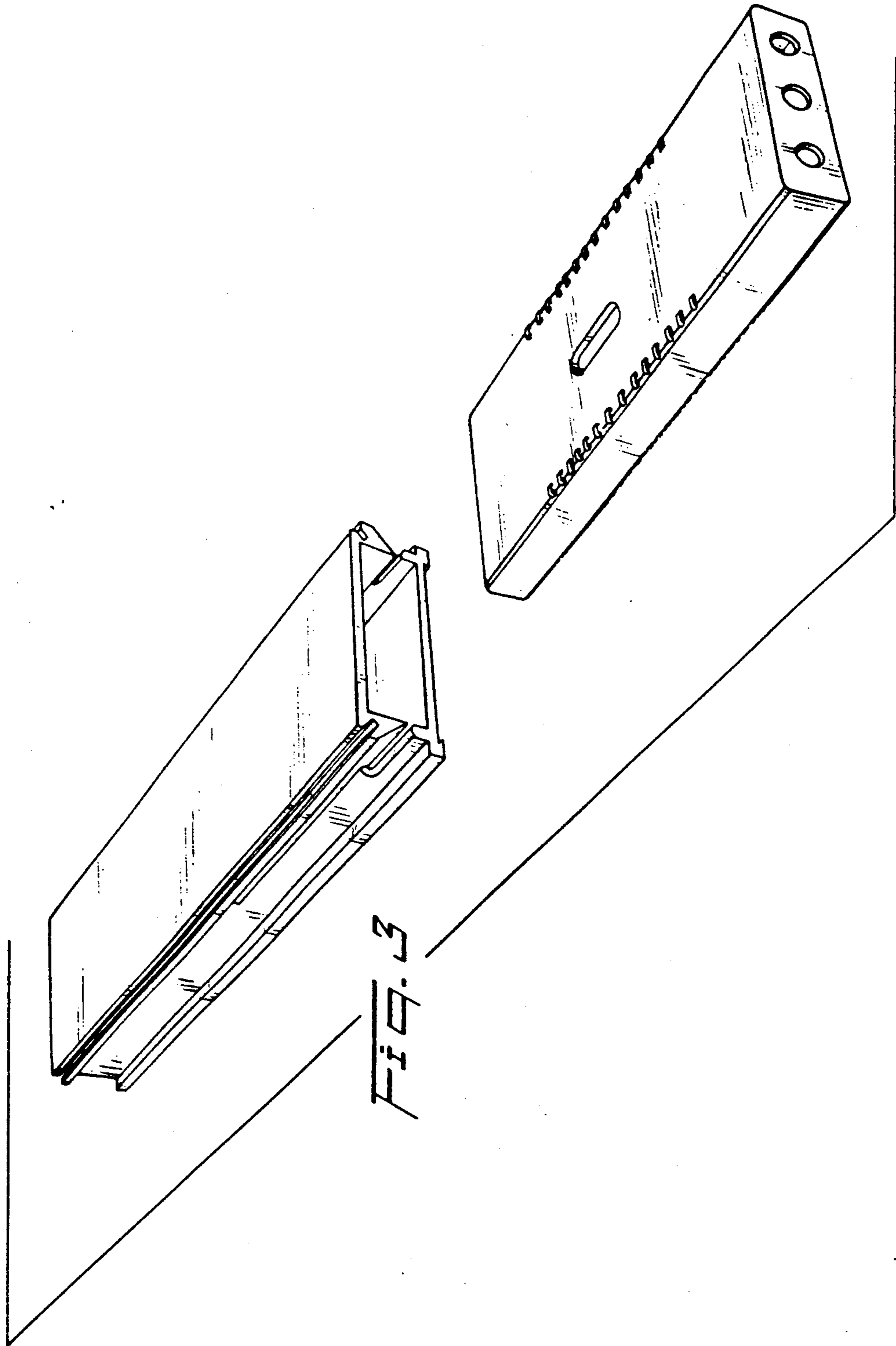
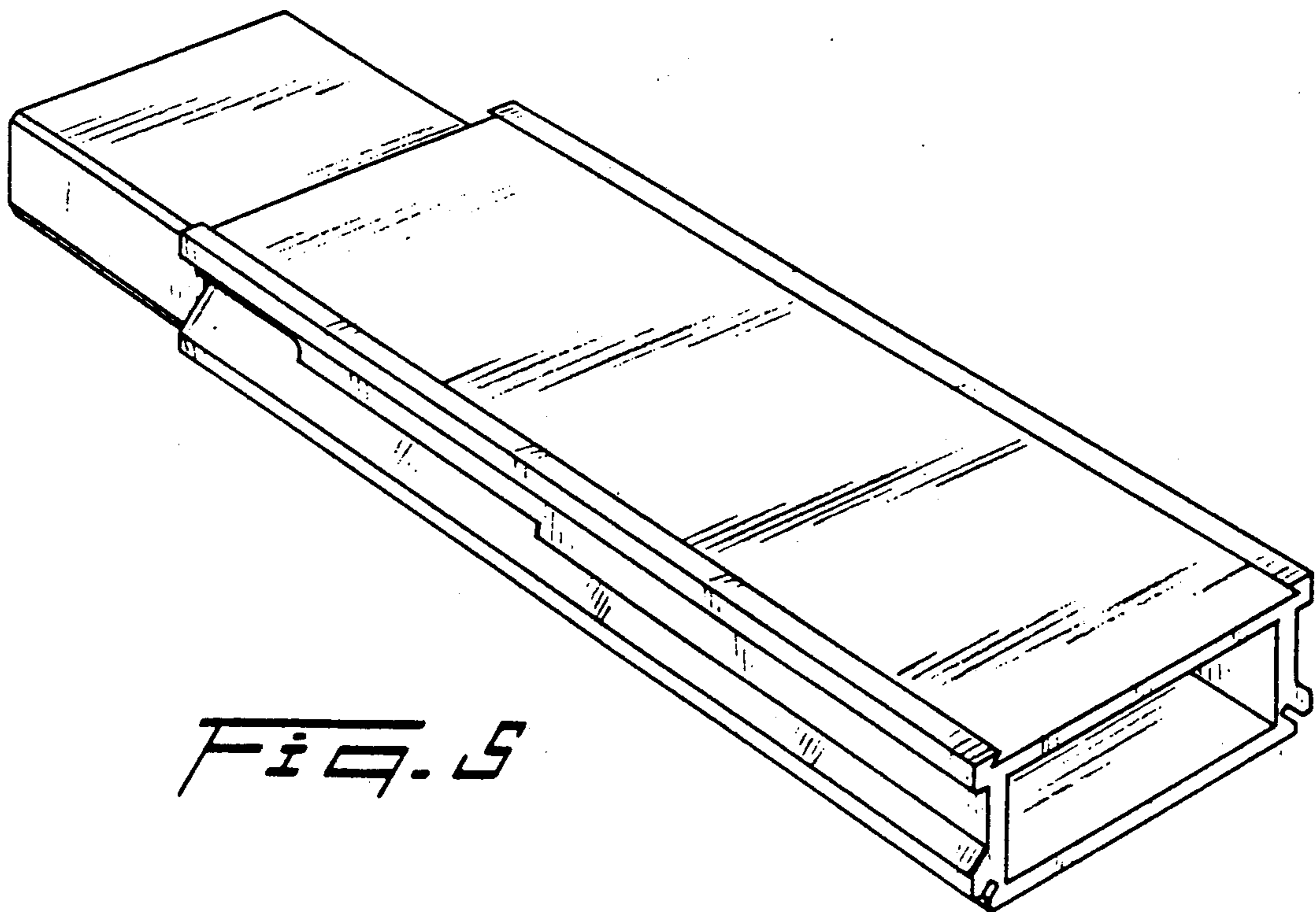
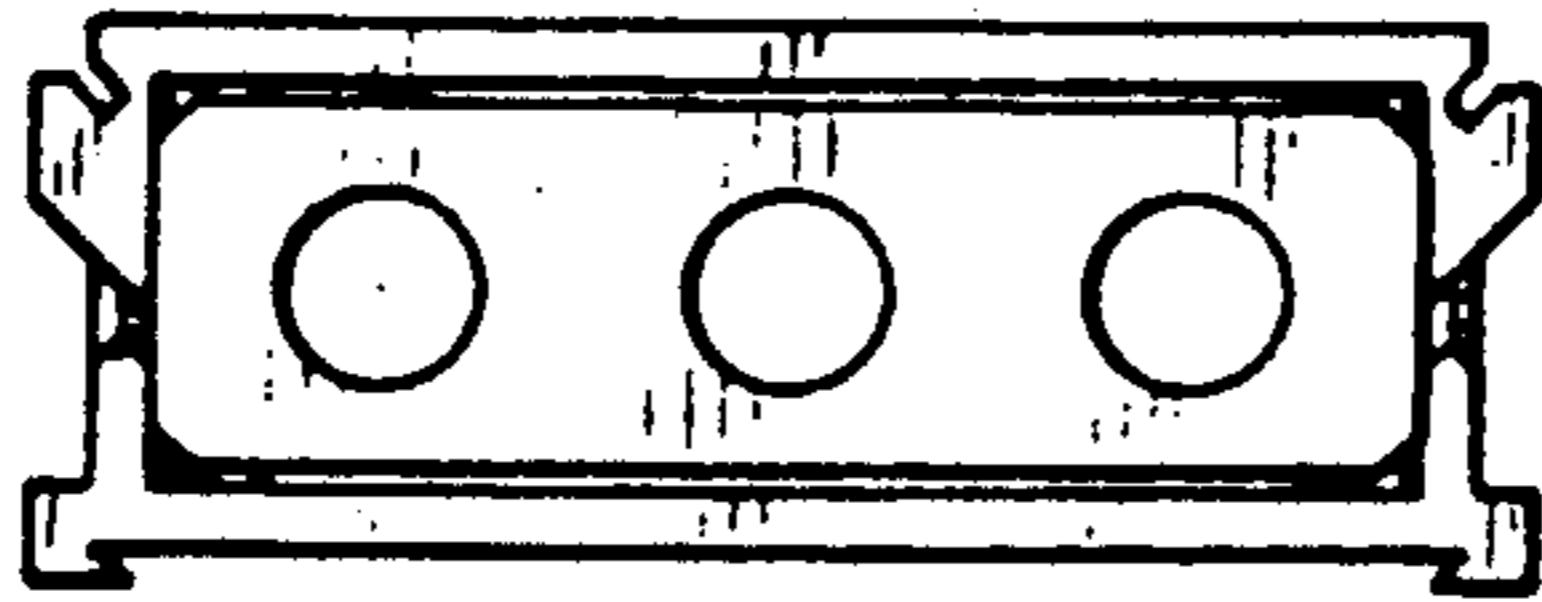


FIG. 2





*FIG. 4*



*FIG. 5*