

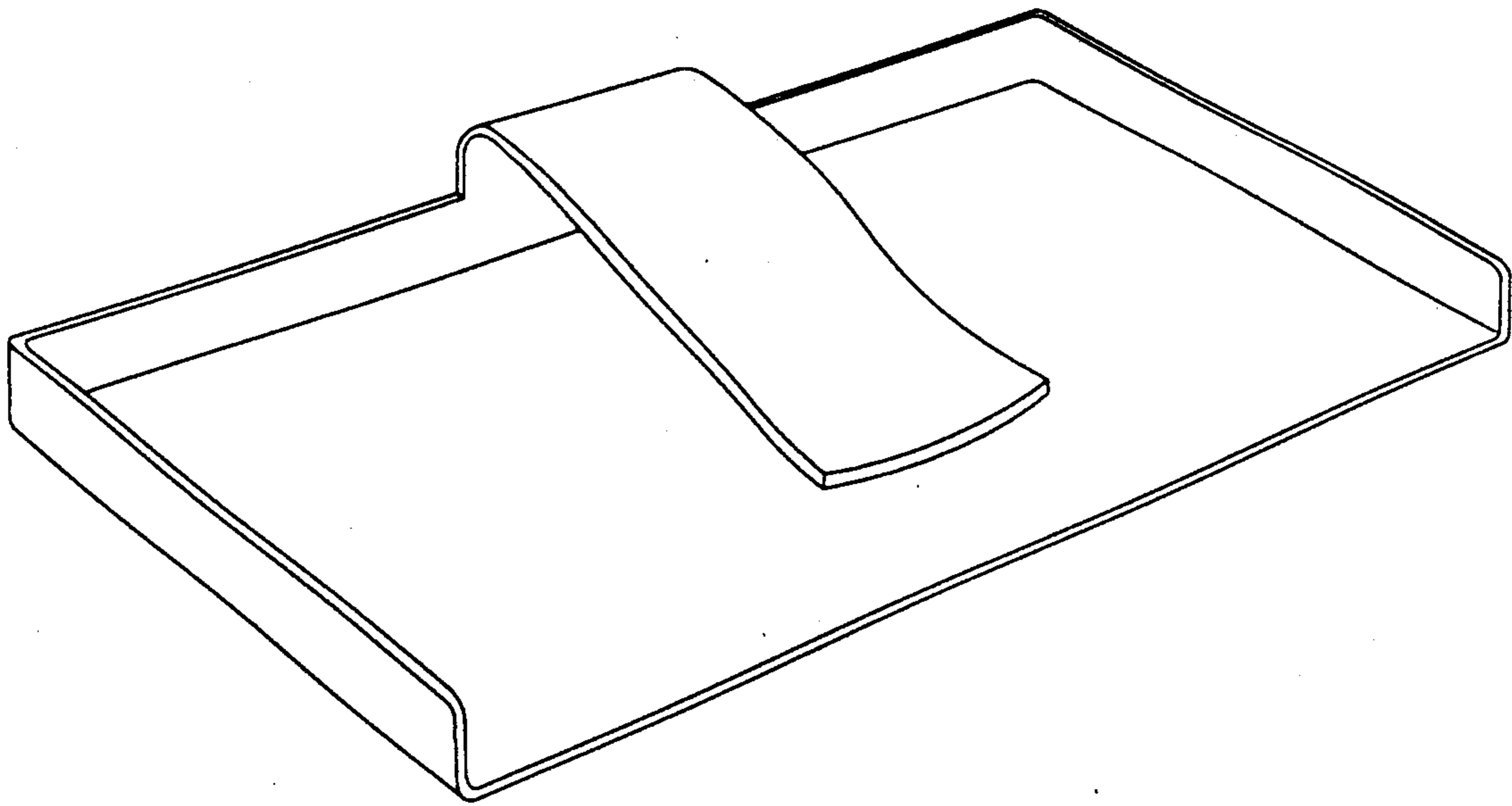
[54] **CREDIT CARD CLIP**
[76] **Inventor: Jerry M. Gilbreath, 811 W. Fifth St.,
Fifth St. Ofc. Bldg., Laurel, Miss.
39441**
[**] **Term: 14 Years**
[21] **Appl. No.: 32,094**
[22] **Filed: Mar. 30, 1987**
[52] **U.S. Cl. D3/56; D19/86**
[58] **Field of Search D3/56-60;
D11/78.1; D19/65, 75, 86, 88, 92; 211/50, 69.8**

[56] **References Cited**
U.S. PATENT DOCUMENTS
D. 142,718 10/1945 Kirsch D11/78.1
D. 213,236 1/1969 Zacharia D19/86
D. 256,852 9/1980 McGahee D3/56
4,496,058 1/1985 Harris et al. D19/88

Primary Examiner—Louis S. Zarfes
Attorney, Agent, or Firm—Dewitt L. Fortenberry, Jr.

[57] **CLAIM**
The ornamental design for a credit card clip, as shown and described.

DESCRIPTION
FIG. 1 is a perspective view of a credit card clip showing my new design;
FIG. 2 is a left side elevational view;
FIG. 3 is a front elevational view;
FIG. 4 is a top plan view;
FIG. 5 is a bottom plan view;
FIG. 6 is a perspective view of a credit card clip showing a modified form of my new design;
FIG. 7 is a left side elevational view thereof;
FIG. 8 is a front elevational view thereof;
FIG. 9 is a top plan view thereof; and
FIG. 10 is a bottom plan view thereof.



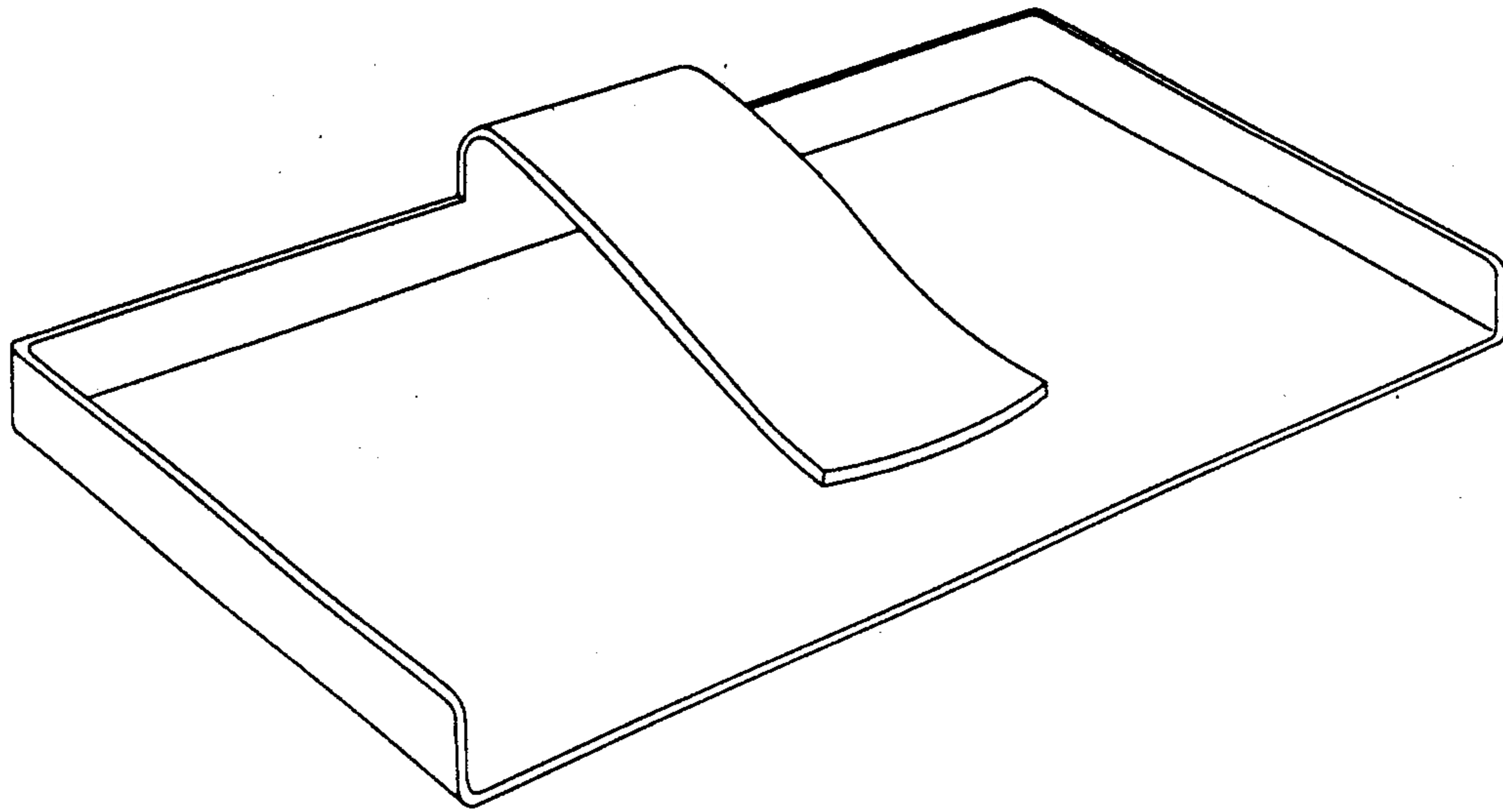


FIGURE 1



FIGURE 2



FIGURE 3

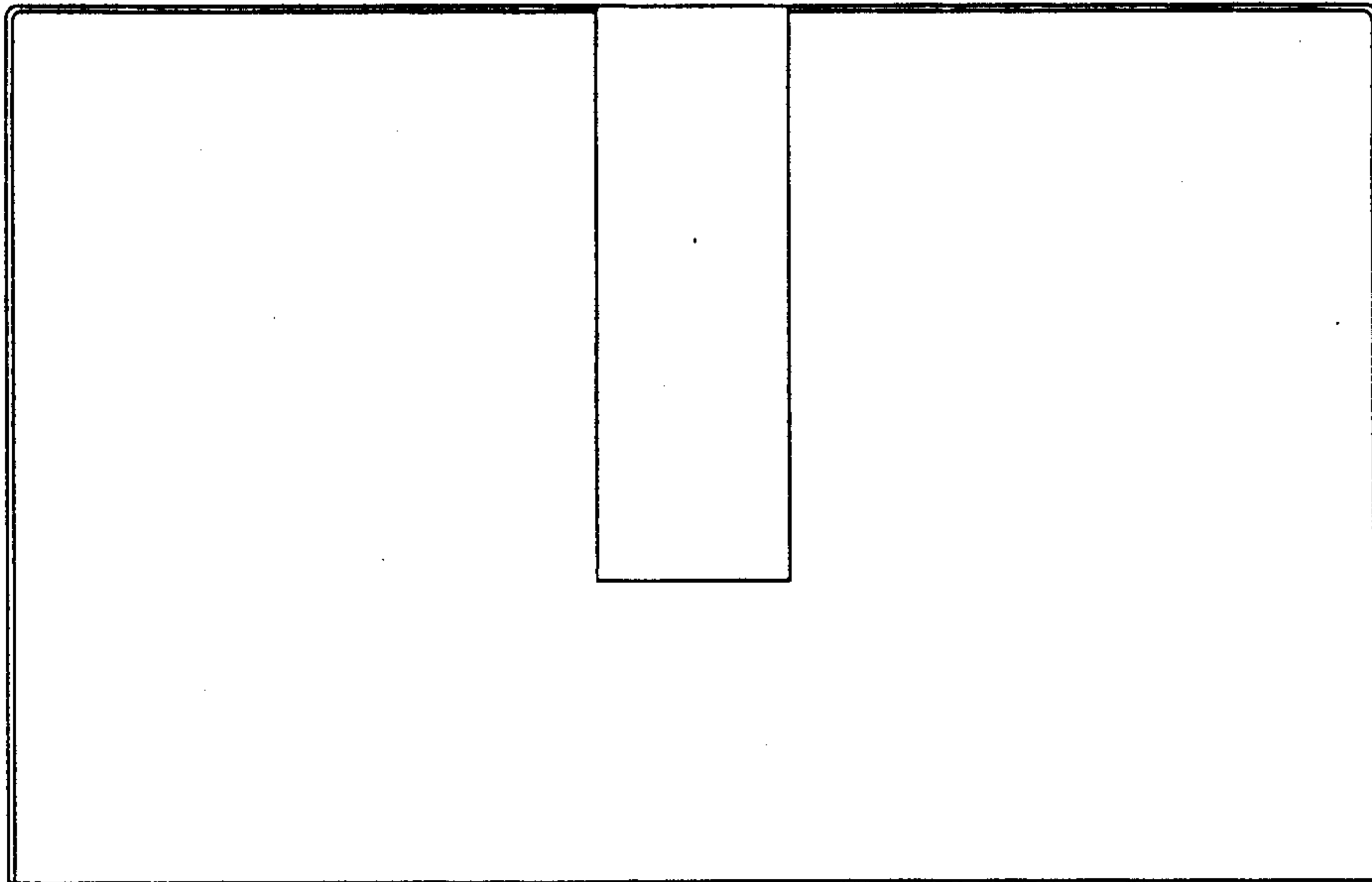


FIGURE 4

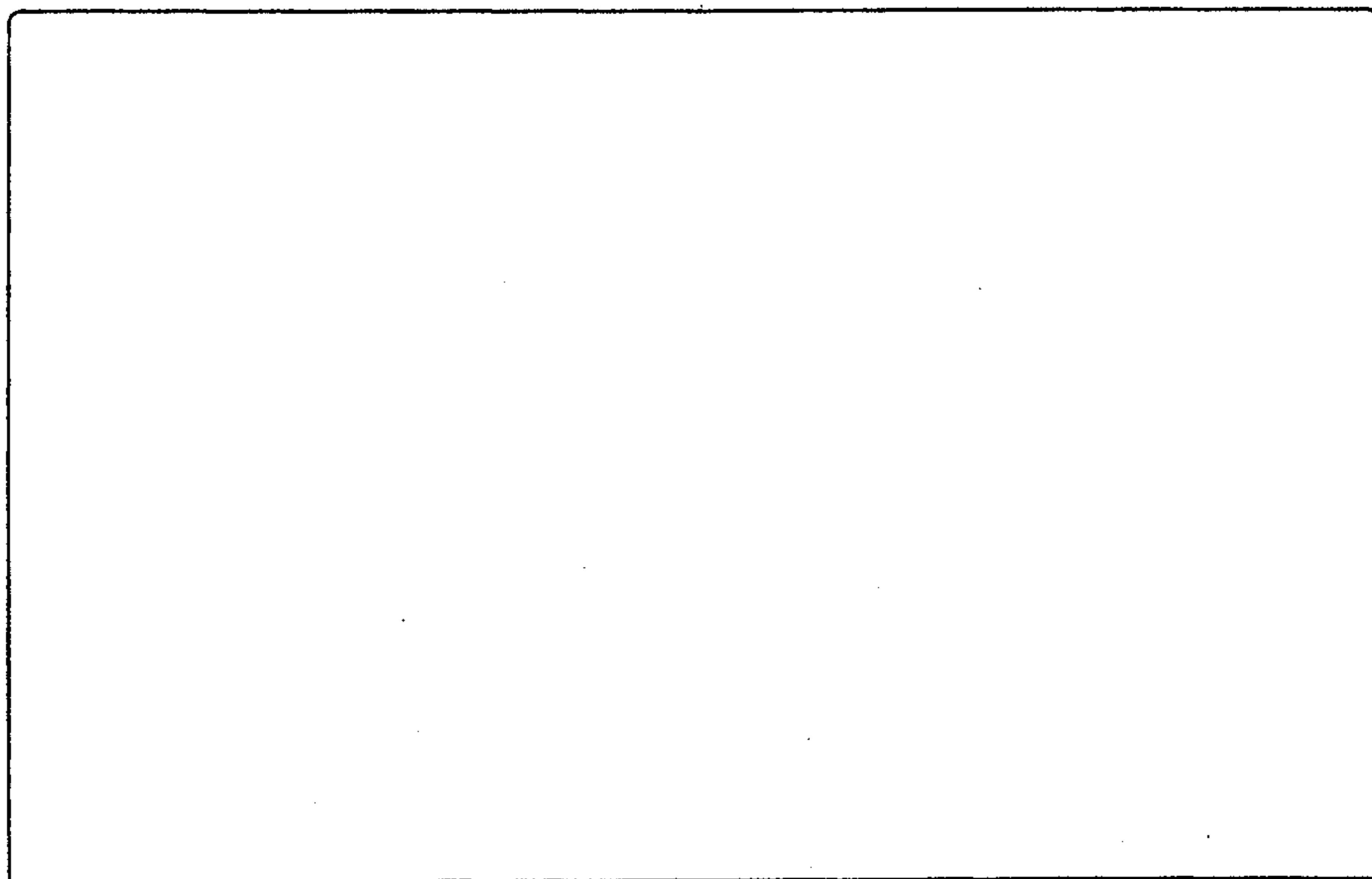


FIGURE 5

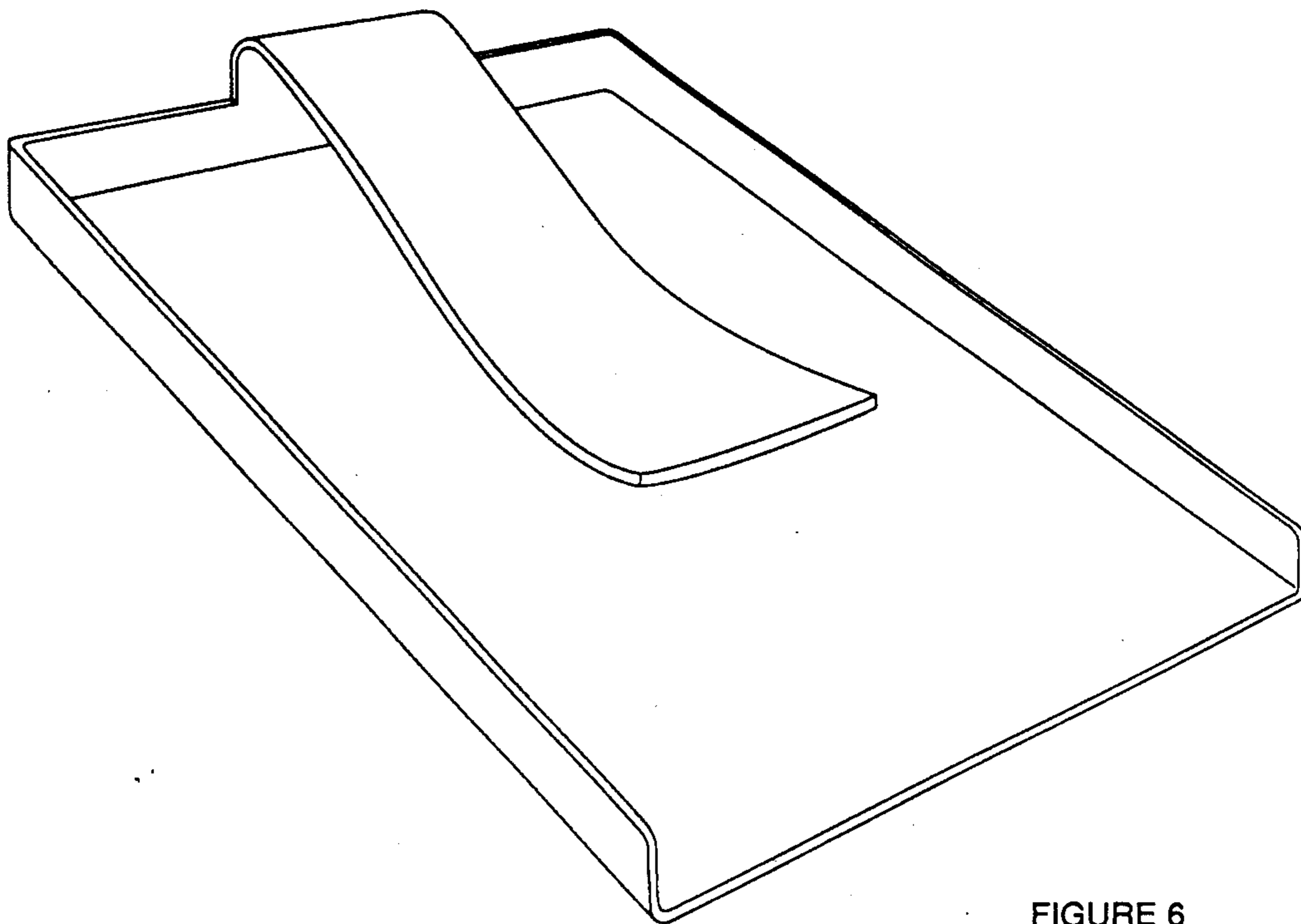


FIGURE 6



FIGURE 7

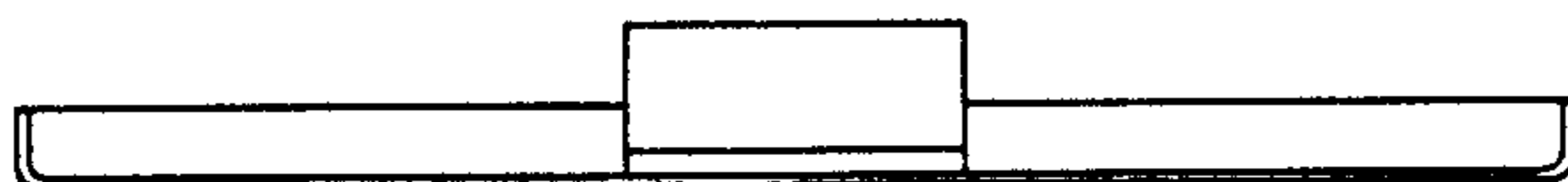


FIGURE 8

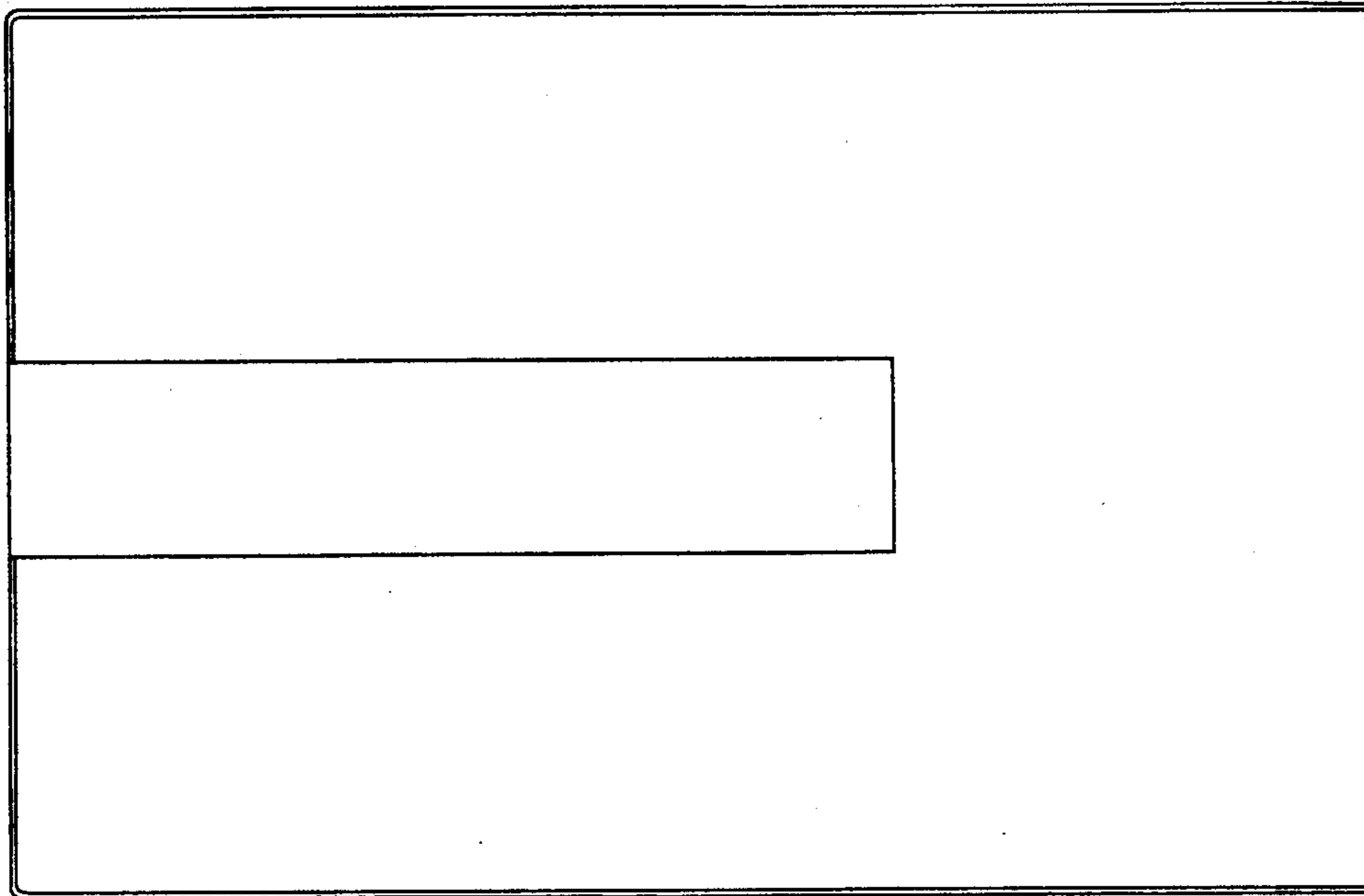


FIGURE 9

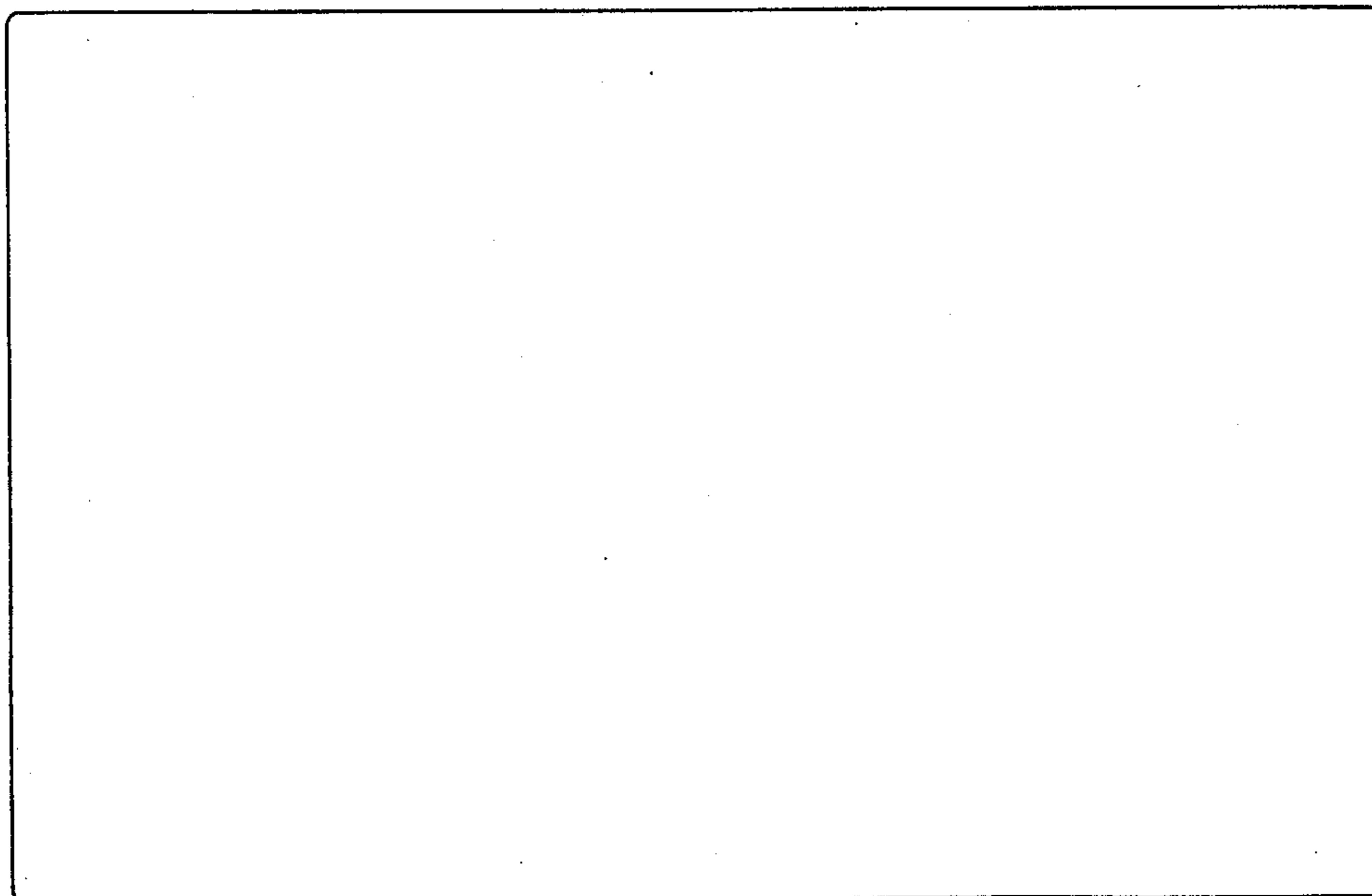


FIGURE 10