

[54] FOOD TRAY FOR USE IN VEHICLES

[76] Inventor: **Benny B. Morales**, 2550 Cucamonga, Ontario, Calif. 91761

[*] Notice: The portion of the term of this patent subsequent to Sep. 19, 2003 has been disclaimed.

[**] Term: **14 Years**

[21] Appl. No.: **451,546**

[22] Filed: **Dec. 18, 1989**

[52] U.S. Cl. **D3/40**

[58] Field of Search D3/30.1, 31-35, D3/39, 40, 42-44, 48, 66, 70-79, 99, 102, 105, 106; D6/446, 467, 470, 559, 561; D7/605; D12/156-158; D15/81, 88; D19/65, 75, 77, 82, 97; D24/17, 29; 150/113; 190/16, 18 A, 109-111, 119; 206/235, 316.1, 316.2, 349, 372, 373, 472, 44 R; 224/32 A, 908; 296/37.6; 312/224, DIG. 33

[56] References Cited

U.S. PATENT DOCUMENTS

D. 204,999	6/1966	Edwards	D3/40
D. 288,054	2/1987	Schulte et al.	D3/40
D. 303,454	9/1989	Morales et al.	D3/40
3,379,316	4/1968	Harrell	D3/40

Primary Examiner—A. Hugo Word
Assistant Examiner—Celia A. Murphy
Attorney, Agent, or Firm—Edgar W. Averill, Jr.

[57] CLAIM

The ornamental design for a food tray for use in vehicles, as shown and described.

DESCRIPTION

FIG. 1 is a perspective view of a food tray for use in vehicles showing my new design; FIG. 2 is a reduced front elevational view thereof; FIG. 3 is a left-side elevational view of FIG. 2; FIG. 4 is a right-side elevational view of FIG. 2; FIG. 5 is a top plan view of FIG. 2; FIG. 6 is a bottom plan view of FIG. 2; and FIG. 7 is a rear elevational view of FIG. 2.

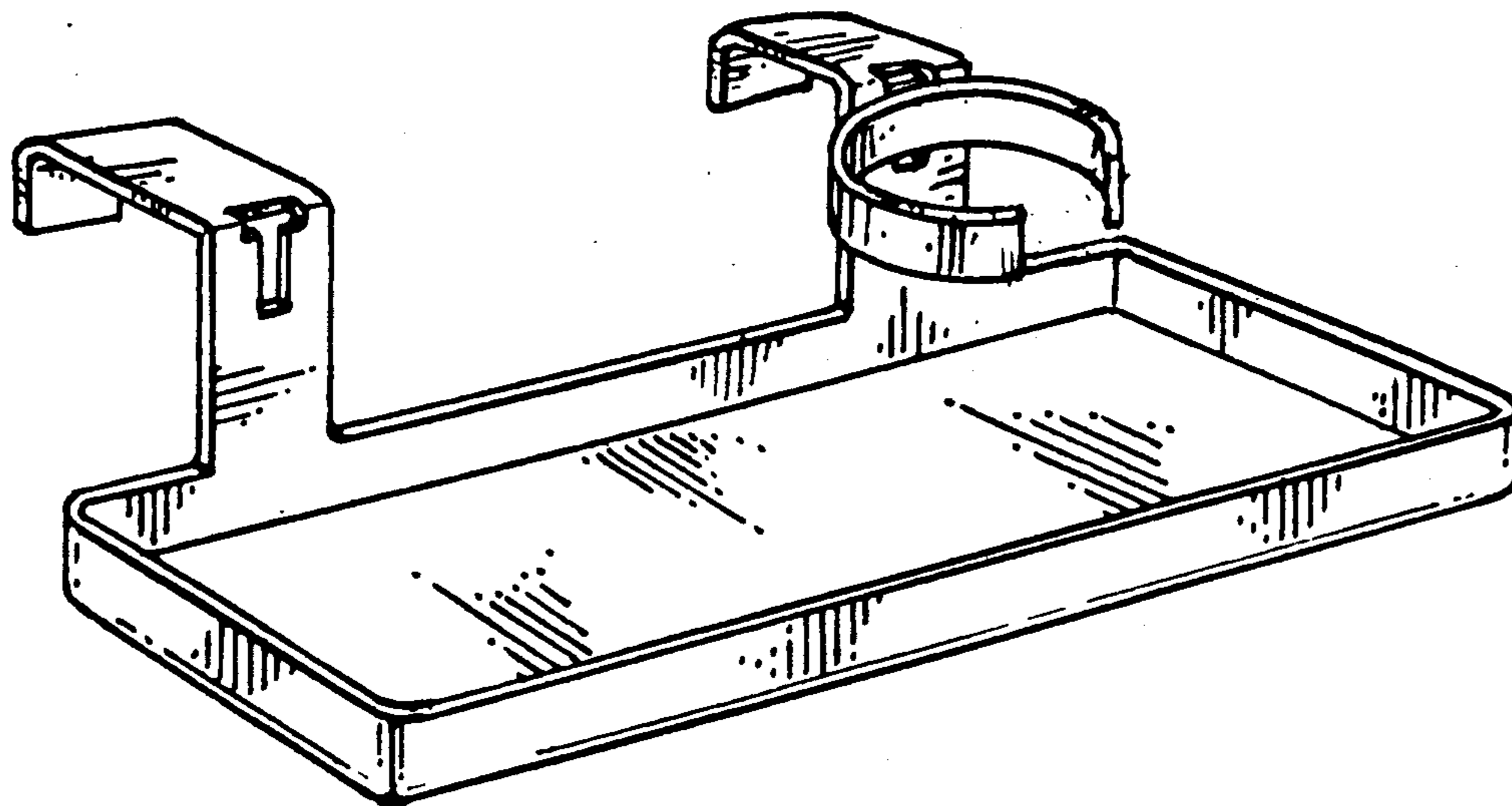


FIG. 1.

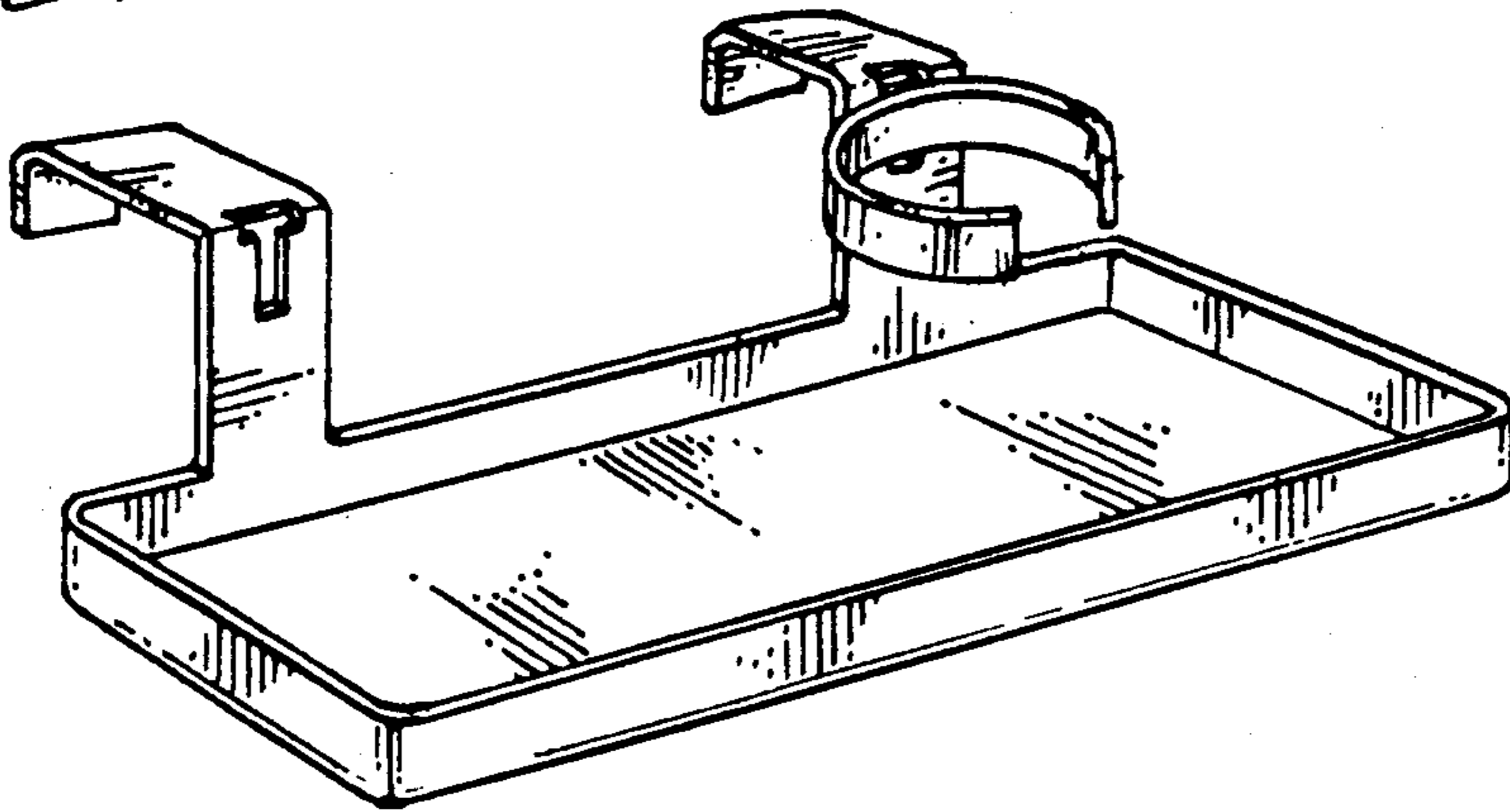


FIG. 5.

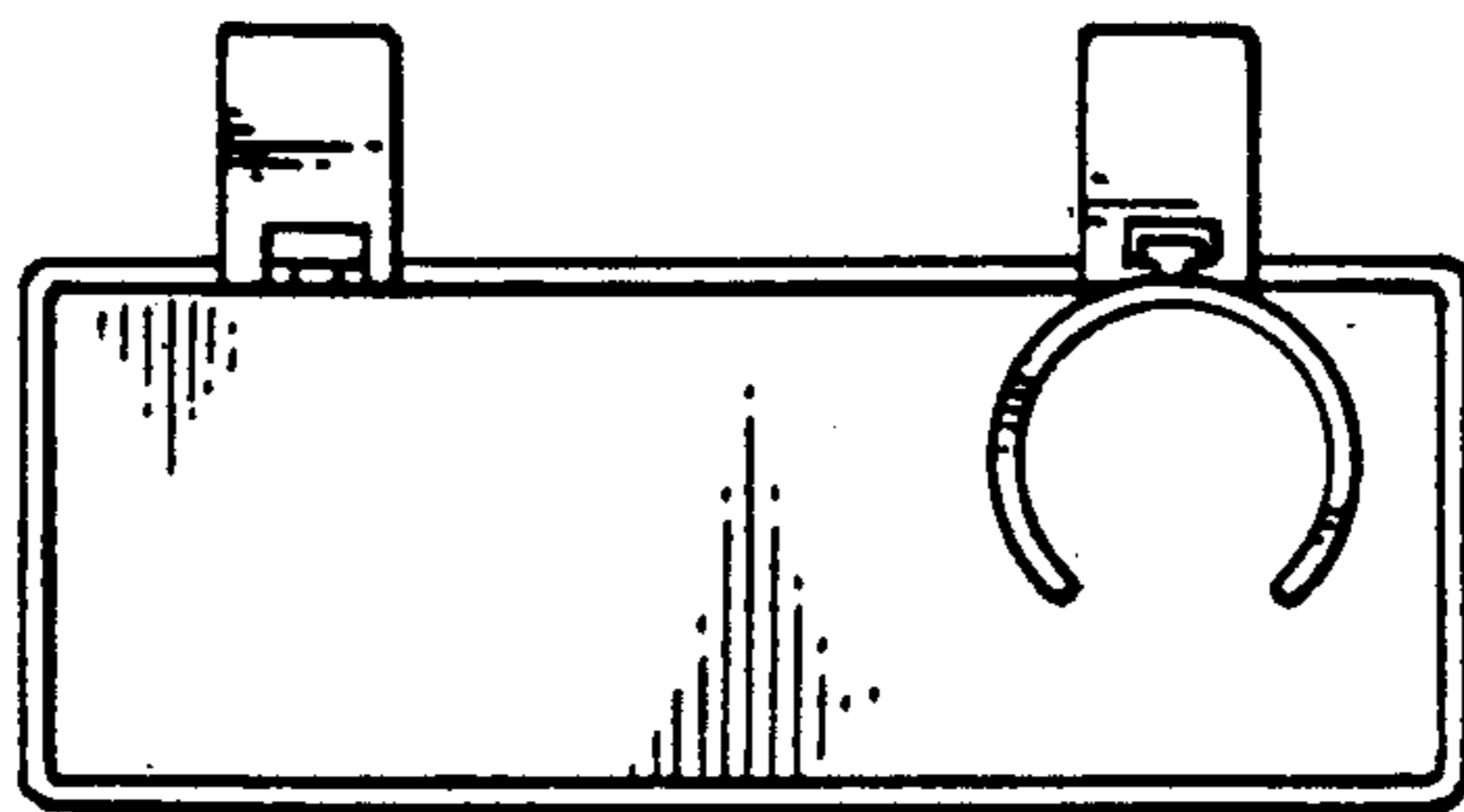


FIG. 3.

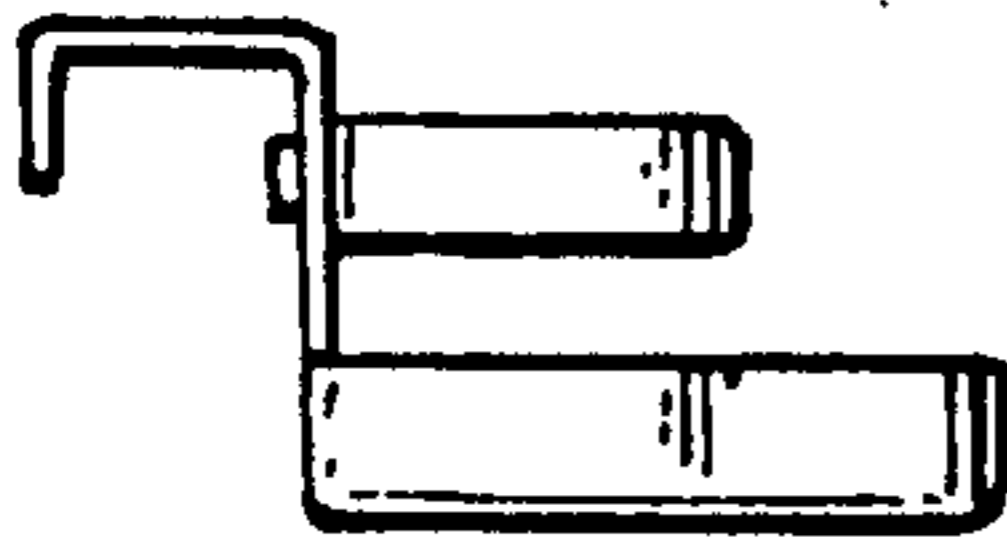


FIG. 2.

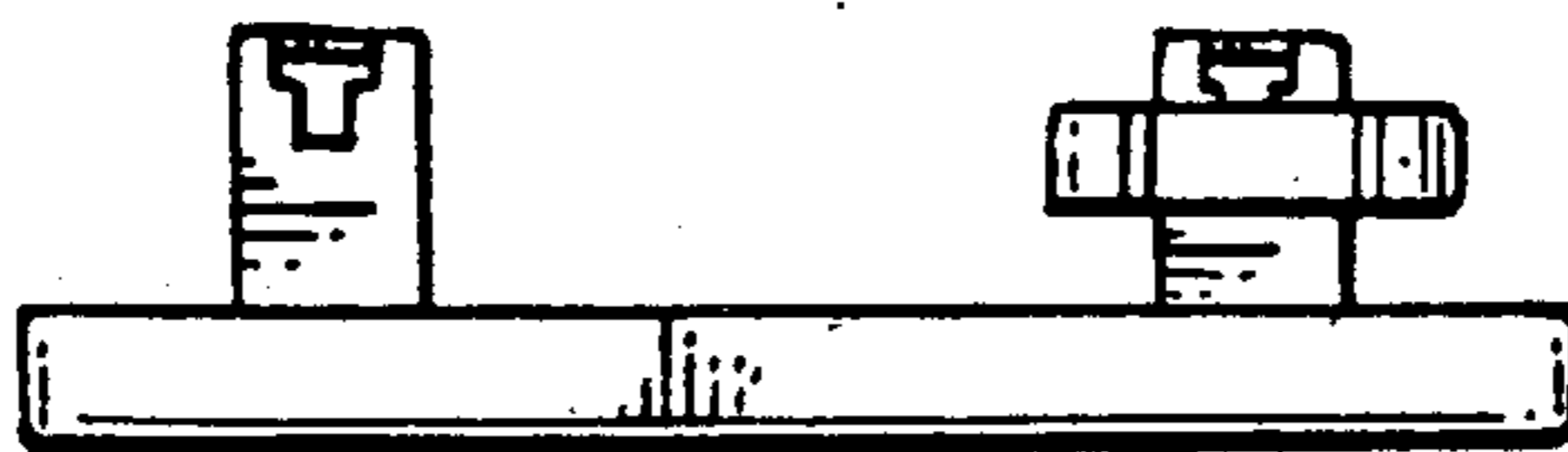


FIG. 4.

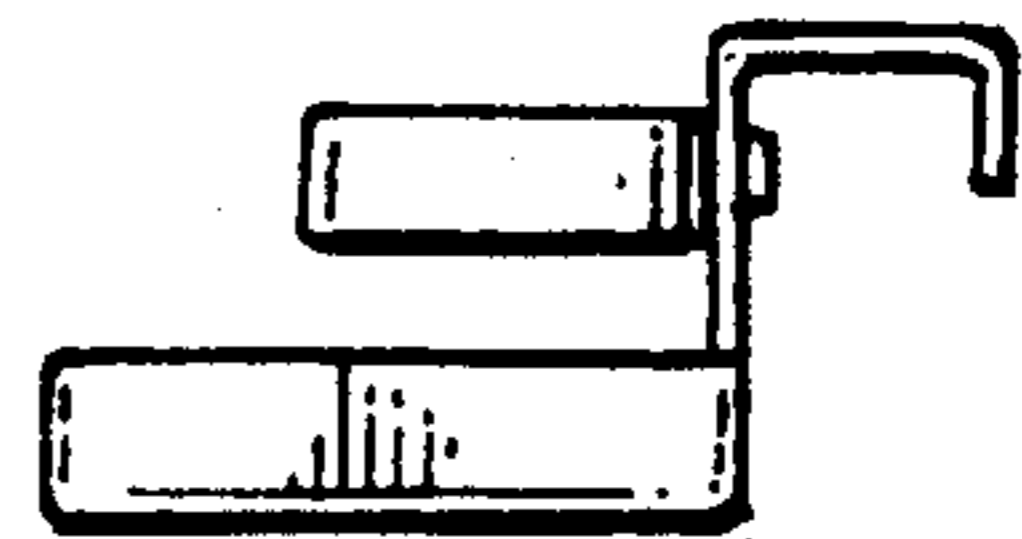


FIG. 6.

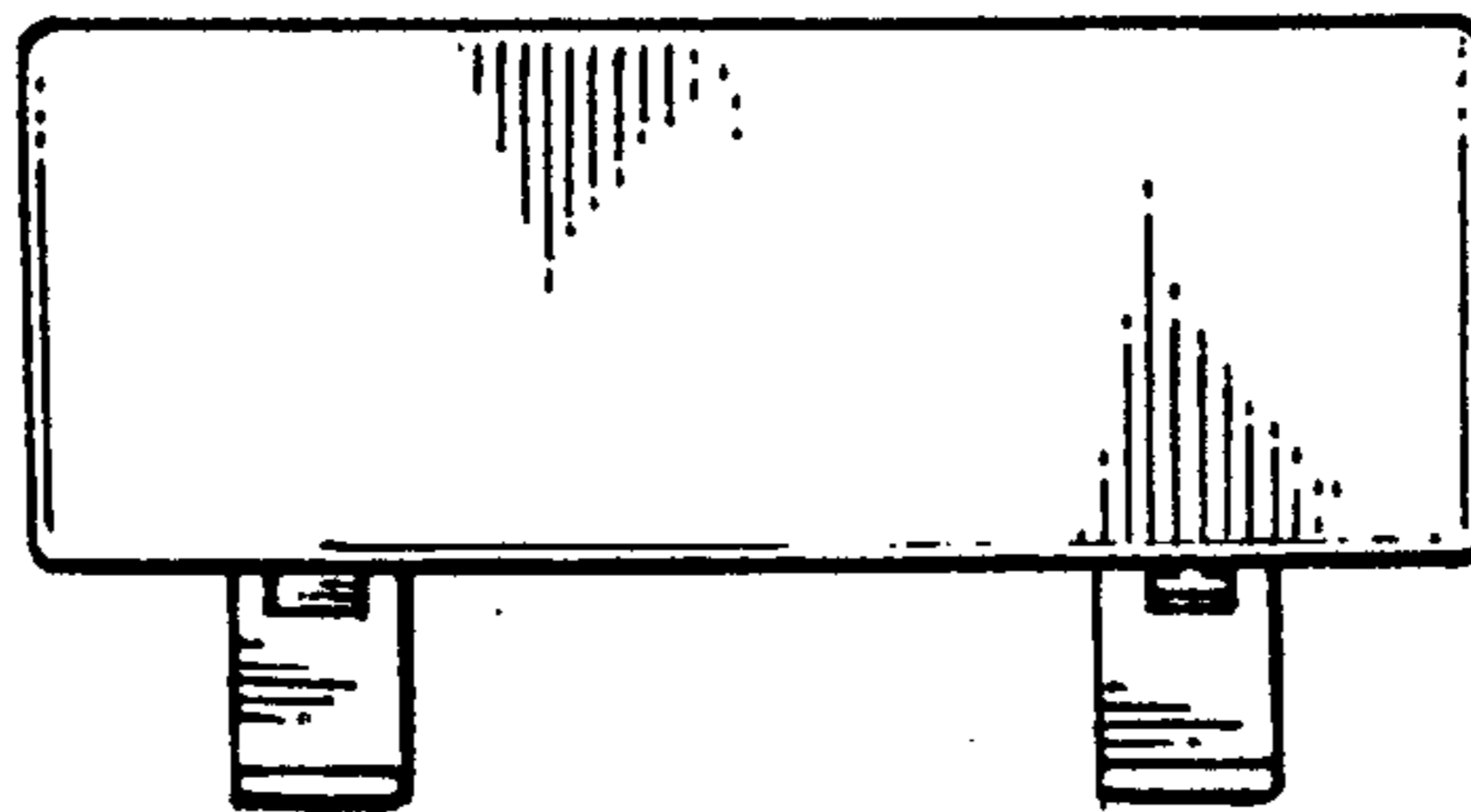


FIG. 7.

