

- [54] **SPRAY WAND FOR DISINFECTING AND DEODORIZING WASTE HOLDING TANKS IN RECREATIONAL VEHICLES**
- [76] **Inventor: Ralph W. Pelletier, HC-01, P.O. Box 312, Hardwood, Mich. 49844**
- [**] **Term: 14 Years**
- [21] **Appl. No.: 331,895**
- [22] **Filed: Apr. 3, 1989**
- [52] **U.S. Cl. D23/223**
- [58] **Field of Search D23/213, 223-229; 239/301, 332, 373, 394, 414-415, 525-528, 532, 554, 556, 443-449, 280, 280.5, 281**

[56] **References Cited**
U.S. PATENT DOCUMENTS

D. 306,961	4/1990	Emms	D23/223	X
D. 310,405	9/1990	Proctor et al.	D23/223	X
1,728,455	9/1929	Taylor et al.	239/525	X
2,134,347	10/1938	Thompson	239/525	
2,520,397	8/1950	Green	239/280	X
2,979,272	4/1961	Thorez	239/280	X

FOREIGN PATENT DOCUMENTS

400461 10/1933 United Kingdom 239/532

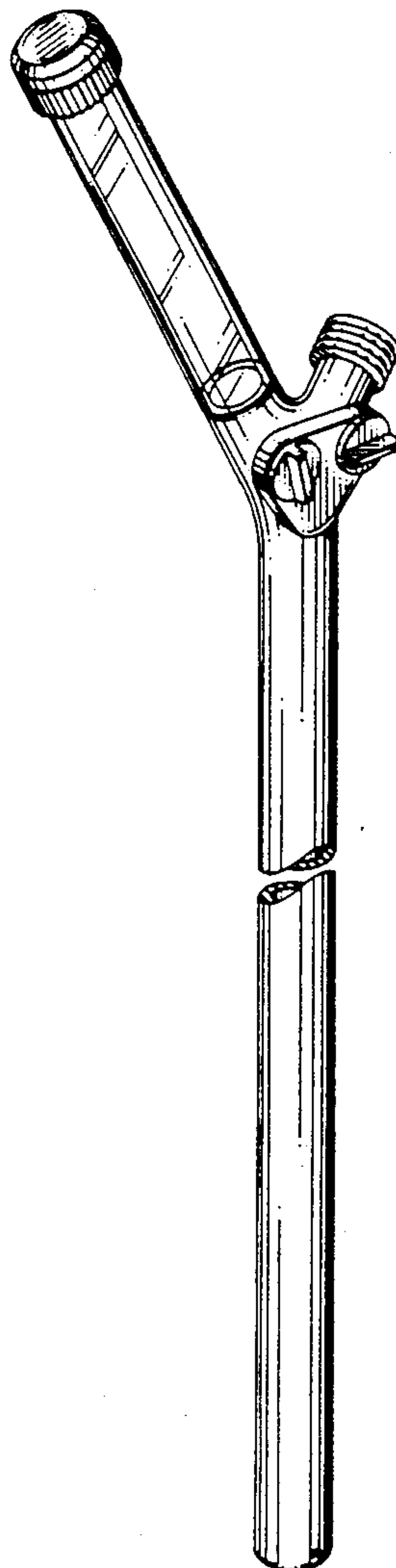
Primary Examiner—Susan J. Lucas
Assistant Examiner—M. H. Tung
Attorney, Agent, or Firm—Warren F. B. Lindsley

[57] **CLAIM**

The ornamental design for a spray wand for disinfecting and deodorizing waste holding tanks in recreational vehicles, as shown and described.

DESCRIPTION

FIG. 1 is a top, front, left end perspective view of a spray wand for disinfecting and deodorizing waste holding tanks in recreational vehicles showing my new design;
FIG. 2 is a left side elevational view thereof;
FIG. 3 is a right side elevational view thereof;
FIG. 4 is a rear elevational view thereof, shown partially for ease of illustration;
FIG. 5 is a top plan view thereof;
FIG. 6 is a bottom plan view thereof.



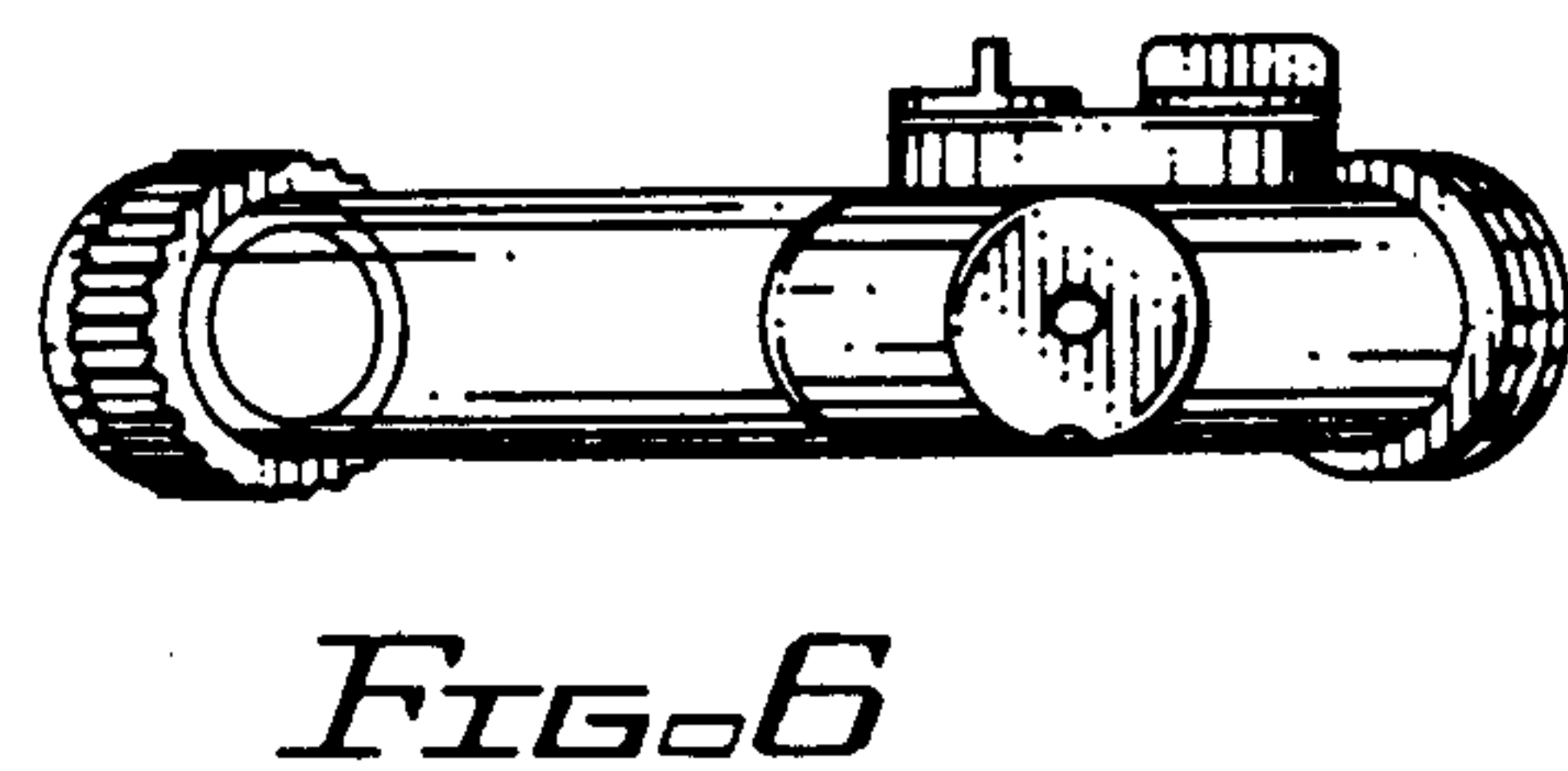
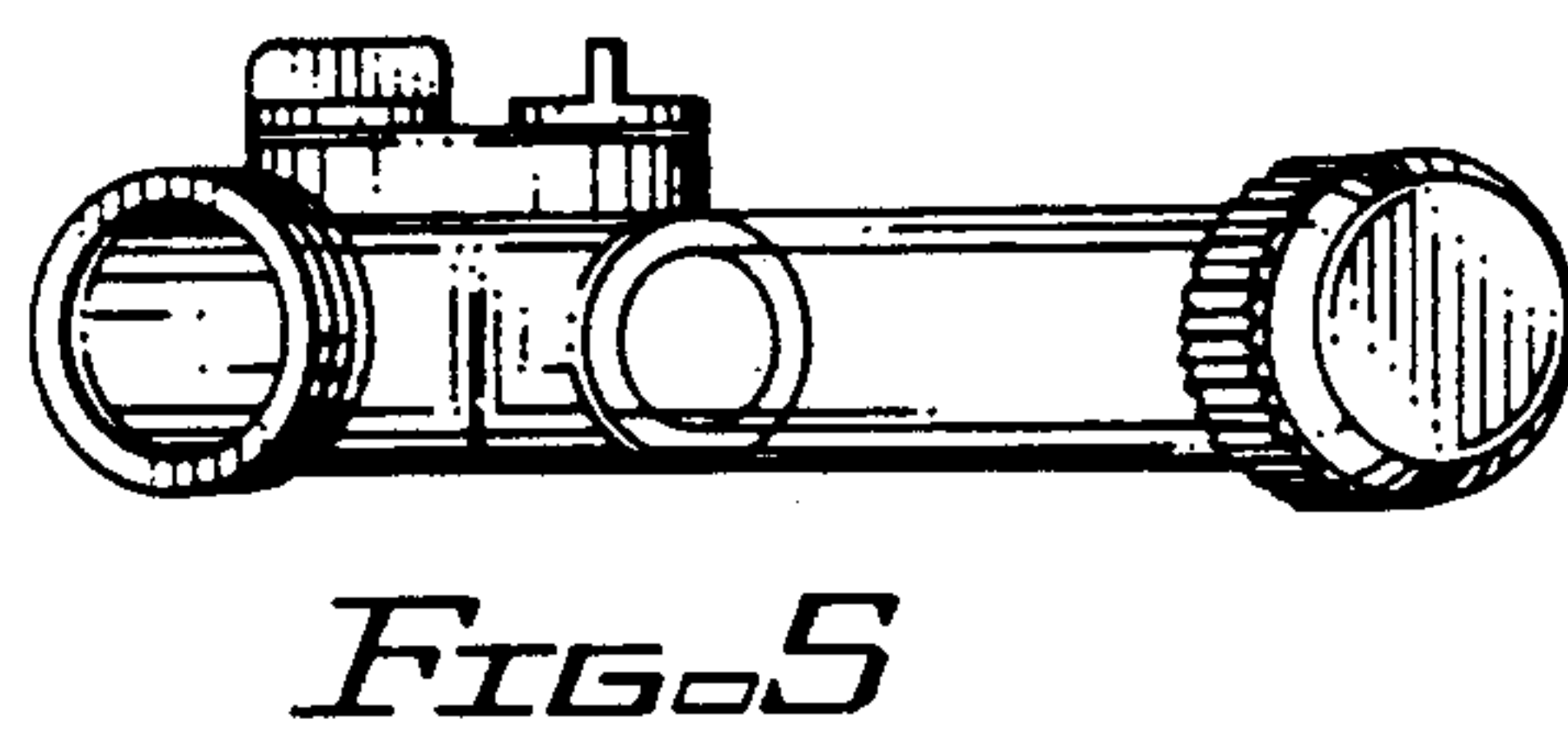
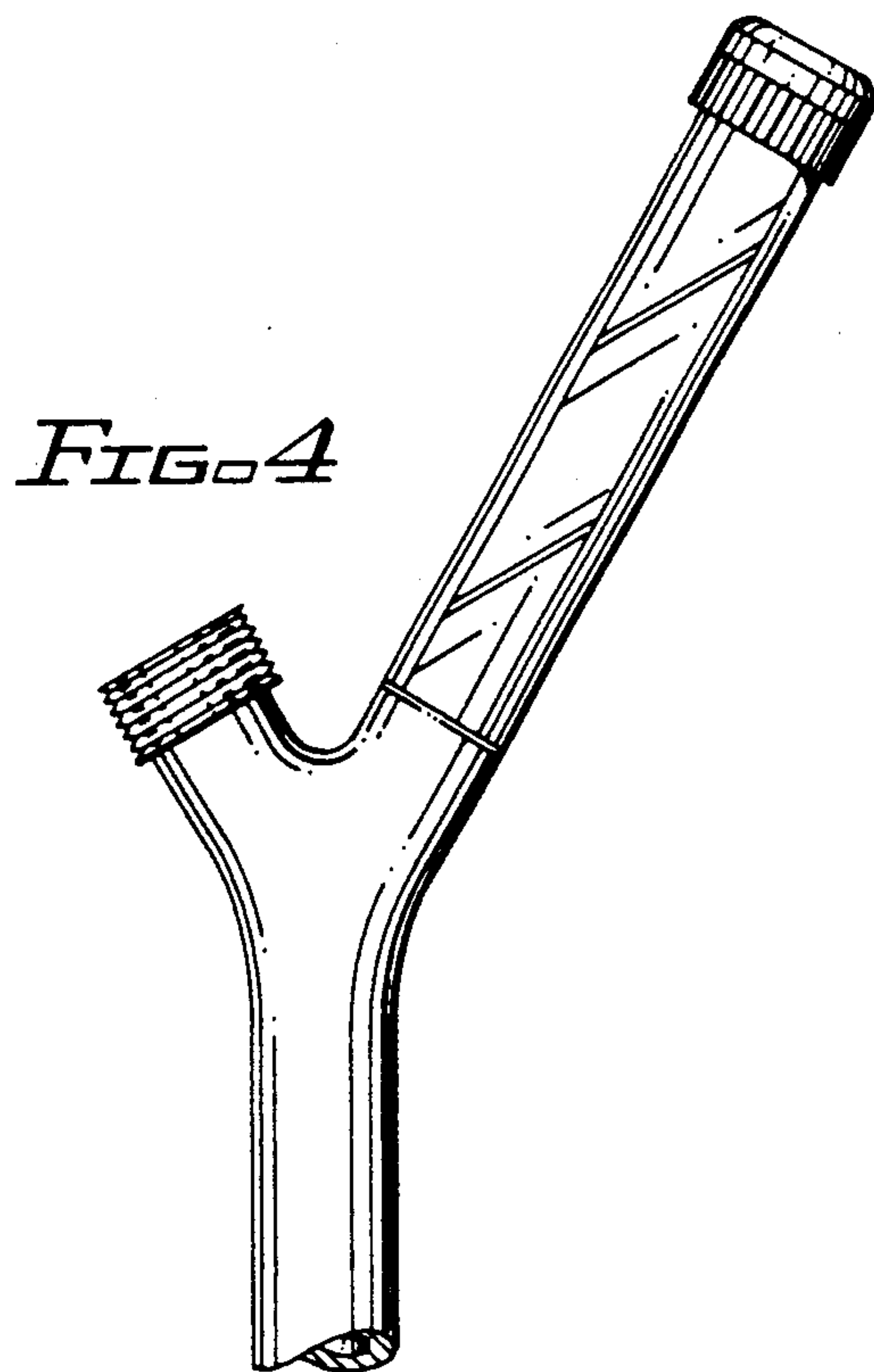
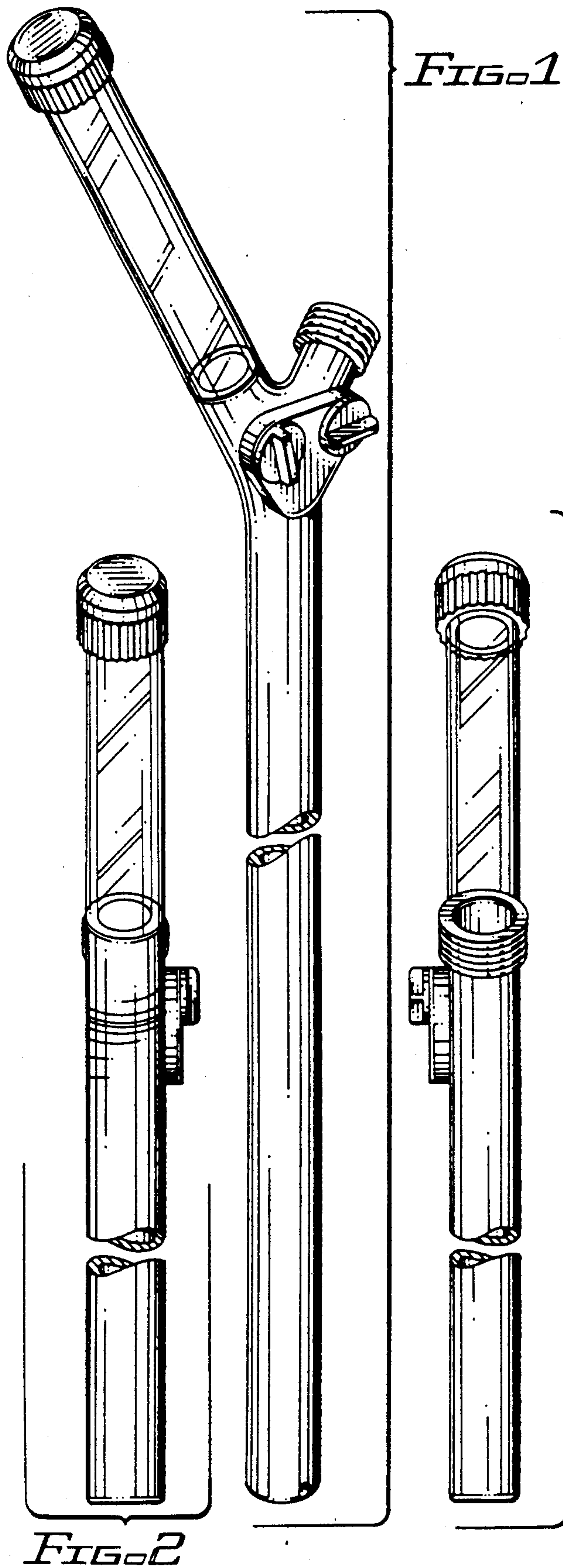


FIG. 3