

[54] AQUARIUM FILTER

[75] Inventor: Allan H. Willinger, Oakland, N.J.

[73] Assignee: Willinger Bros., Inc., Oakland, N.J.

[\*\*] Term: 14 Years

[21] Appl. No.: 232,612

[22] Filed: Aug. 15, 1988

[52] U.S. Cl. .... D23/210

[58] Field of Search ..... D23/200, 207-210,  
D23/316; D30/101, 106; 210/169, 301, 323.1,  
416.2, 416.3, 470

[56] References Cited

U.S. PATENT DOCUMENTS

- D. 205,582 8/1966 Willinger ..... D23/210
- D. 220,486 4/1971 Sesholtz ..... D23/209
- D. 222,619 11/1971 Lovitz ..... D23/210

D. 291,720 9/1987 Willinger et al. .

D. 294,172 2/1988 Willinger .

4,842,727 6/1989 Willinger et al. .... 210/416.2 X

Primary Examiner—Susan J. Lucas

Assistant Examiner—M. H. Tung

Attorney, Agent, or Firm—Helfgott & Karas

[57] CLAIM

The ornamental design for an aquarium filter, as shown.

DESCRIPTION

FIG. 1 is a perspective view of an aquarium filter showing my new design;

FIG. 2 is a top plan view thereof;

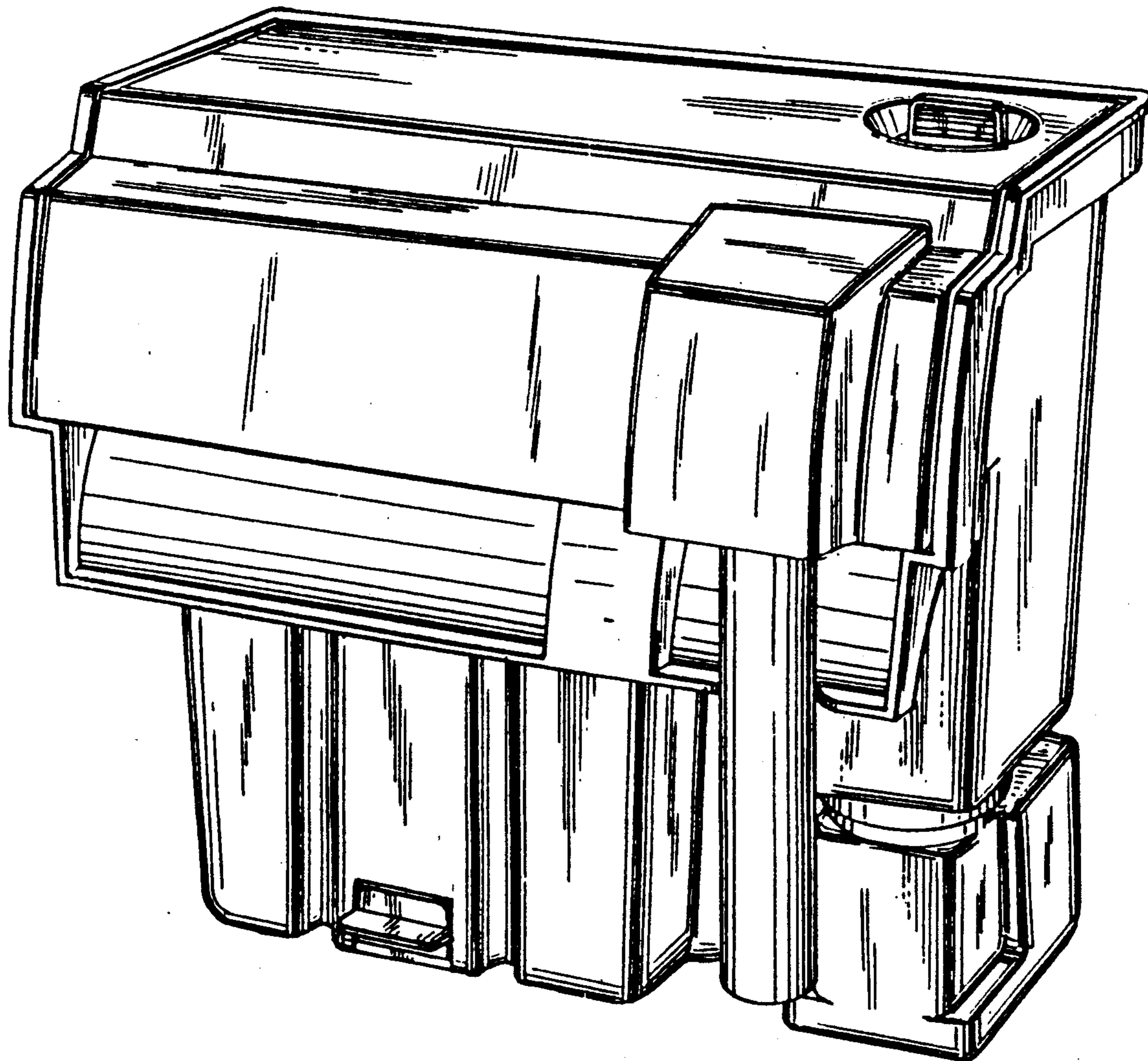
FIG. 3 is a left side elevational view thereof;

FIG. 4 is a right side elevational view thereof;

FIG. 5 is a rear elevational view thereof;

FIG. 6 is a top plan view thereof;

FIG. 7 is an exploded perspective view thereof.



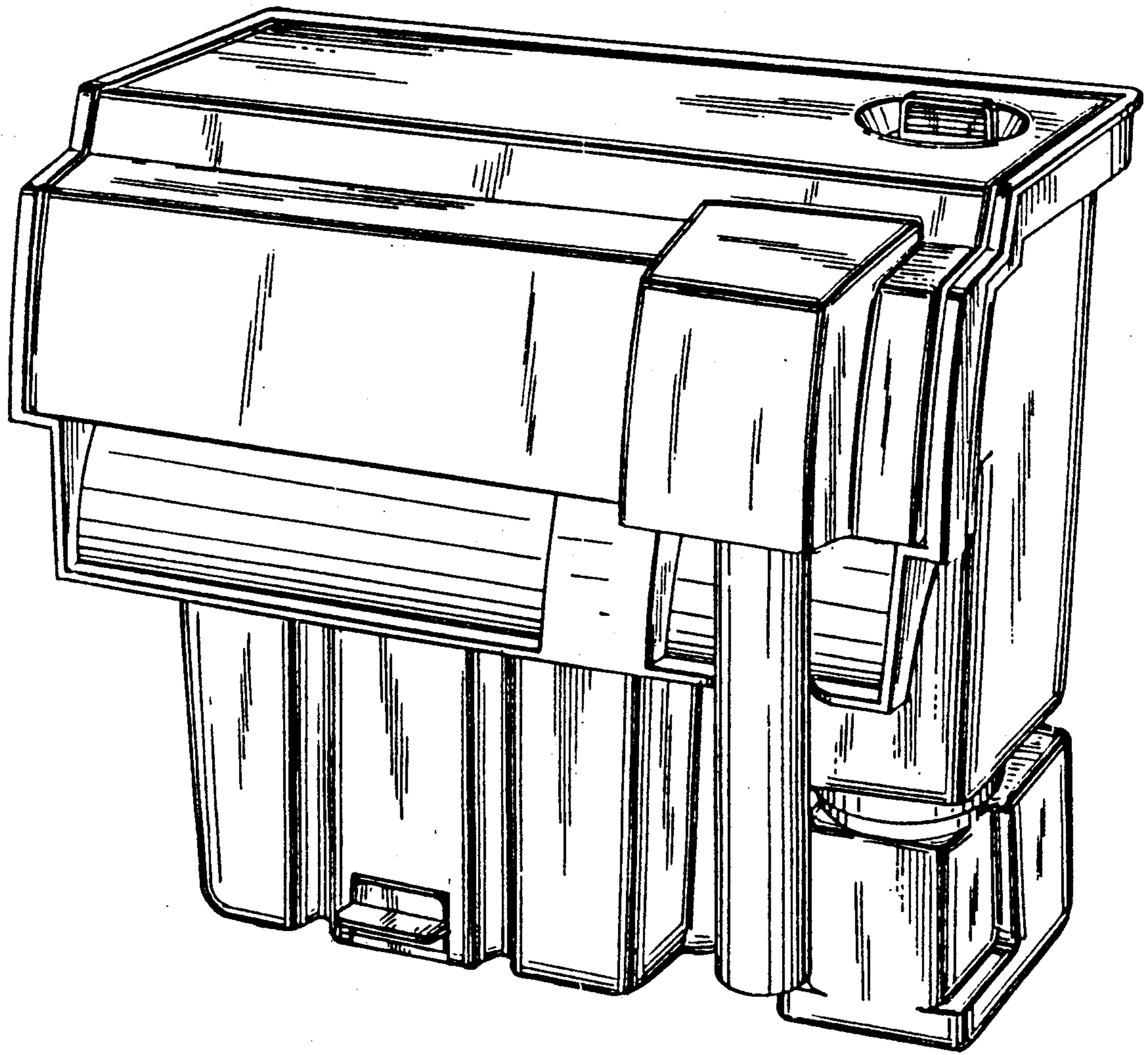


FIG. 1

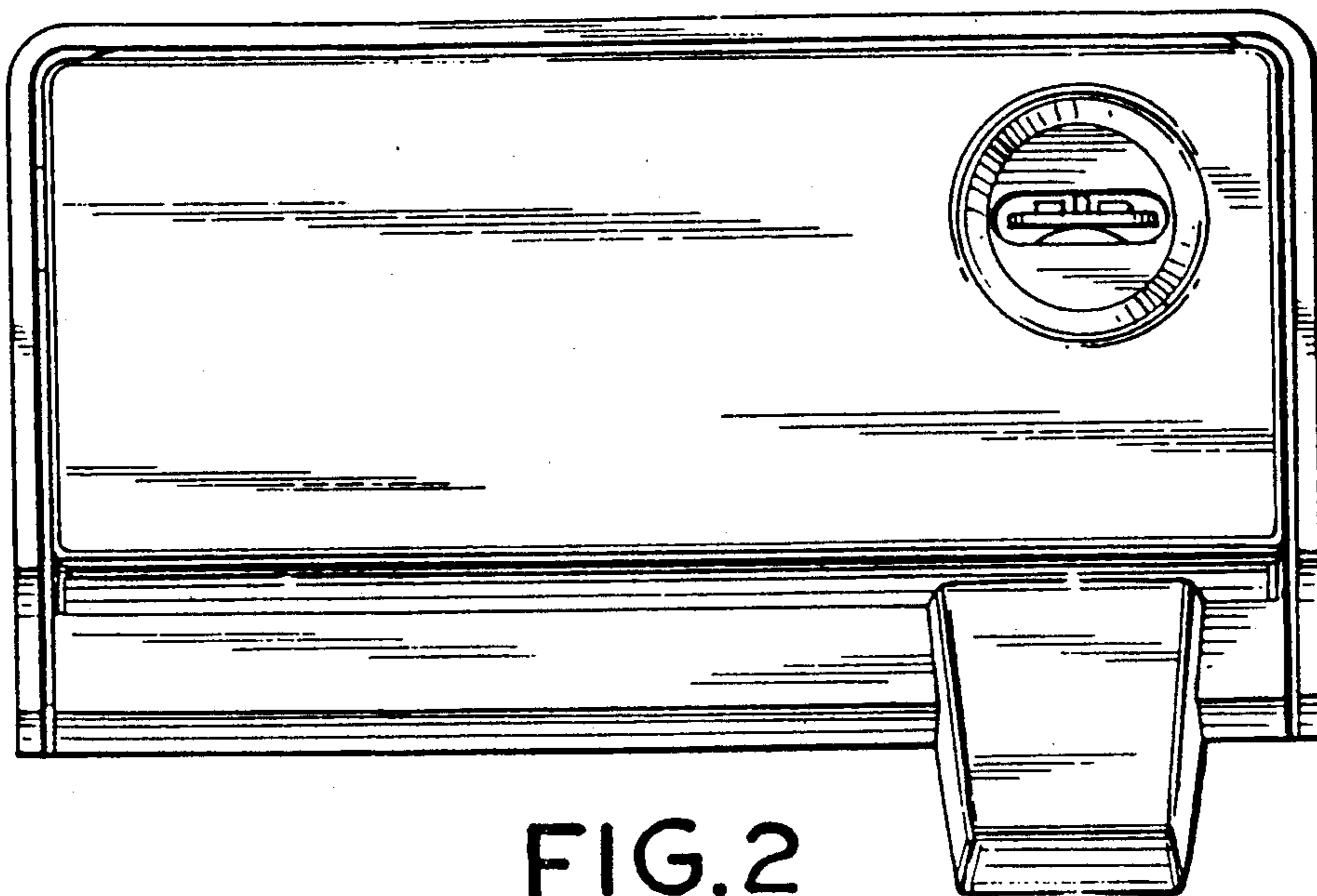


FIG. 2

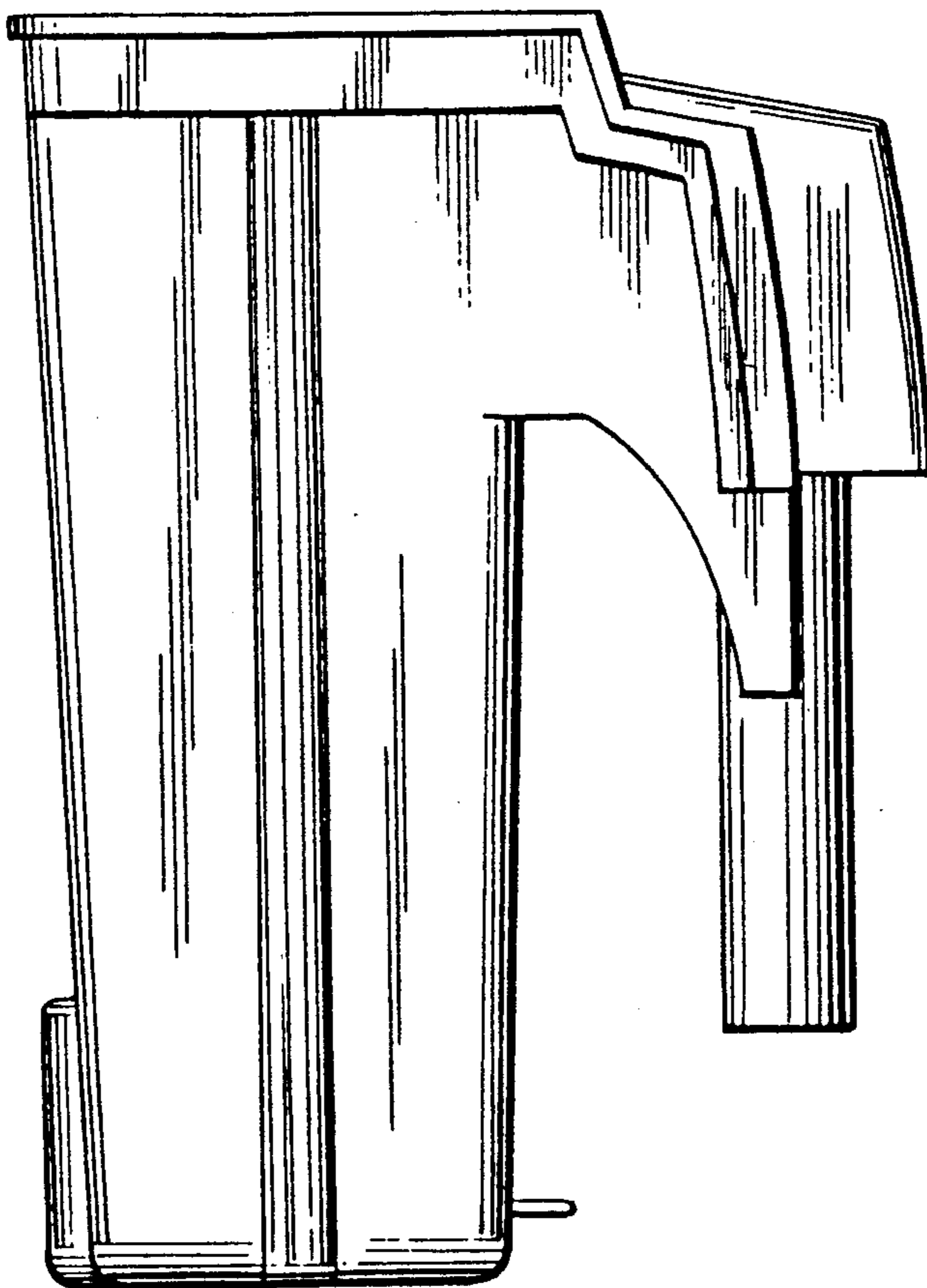


FIG. 3

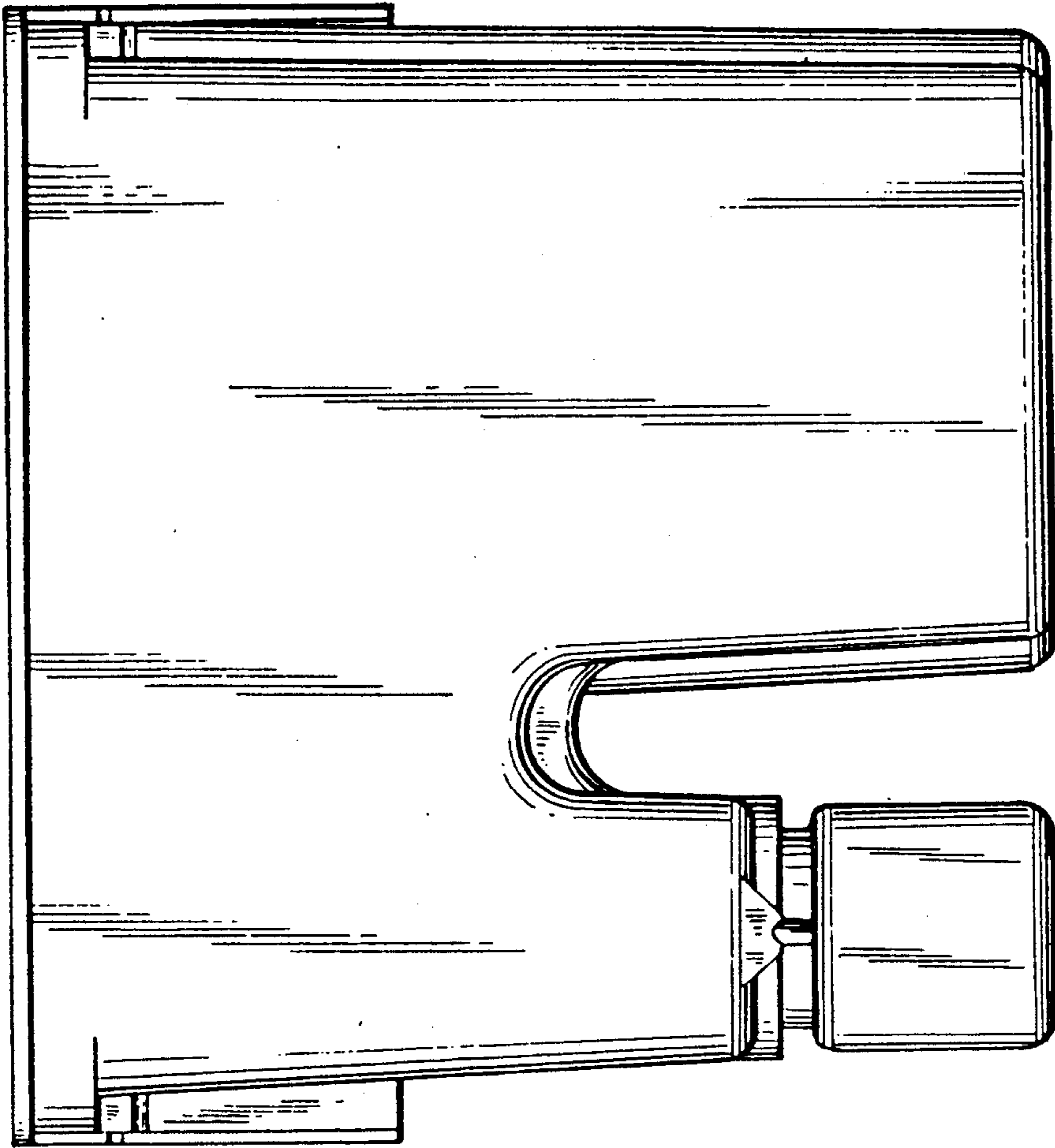


FIG. 5

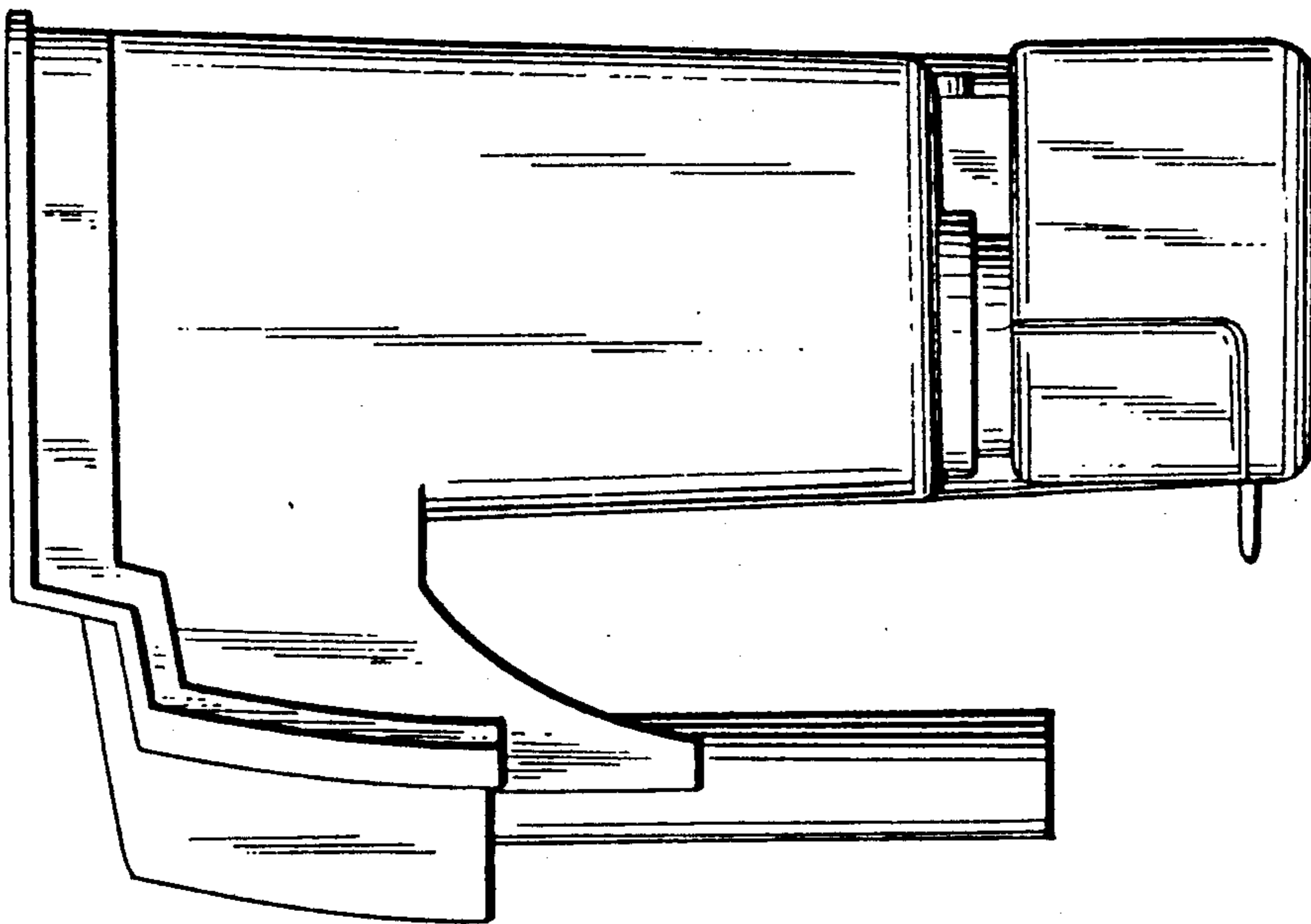


FIG. 4



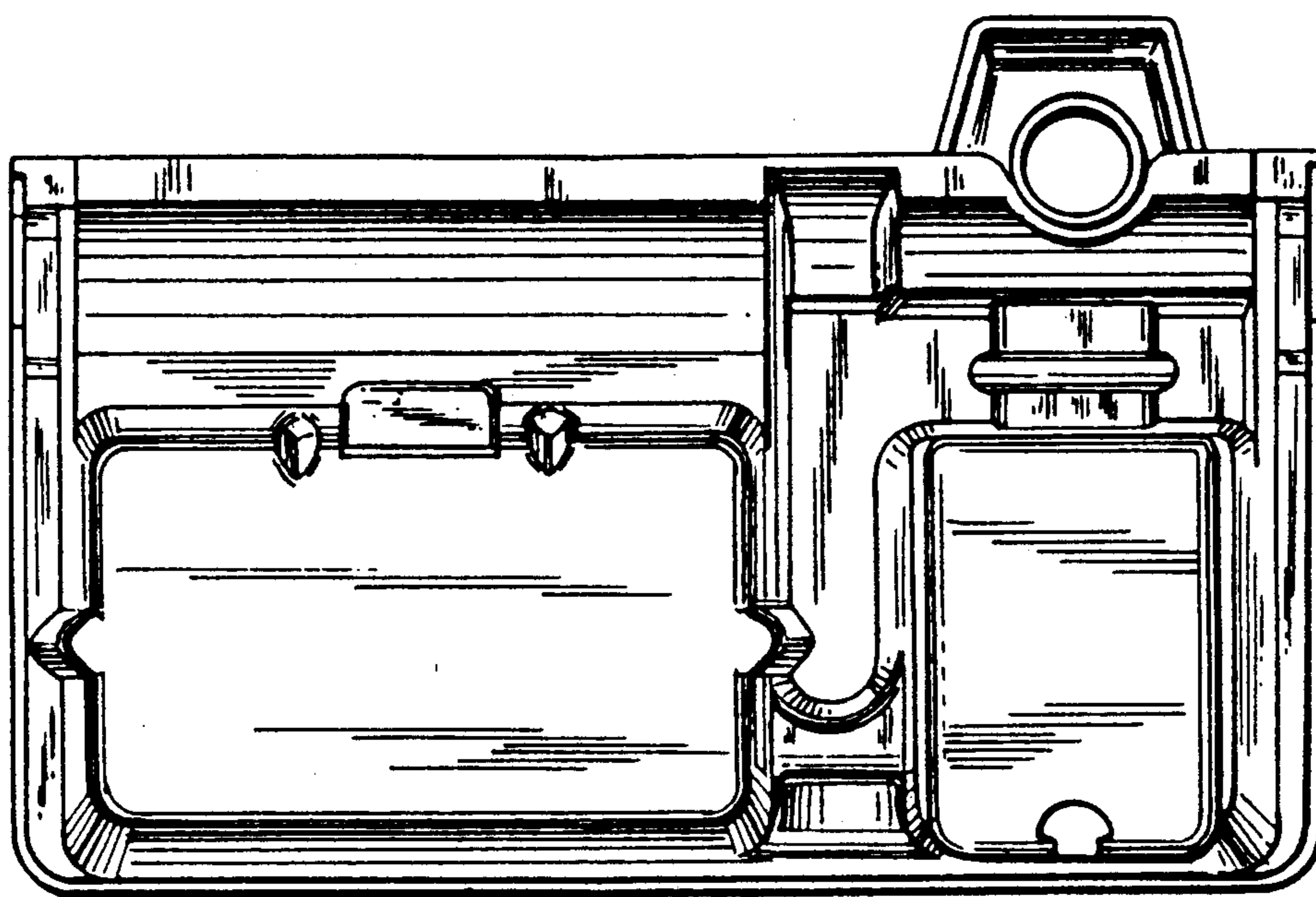


FIG. 6

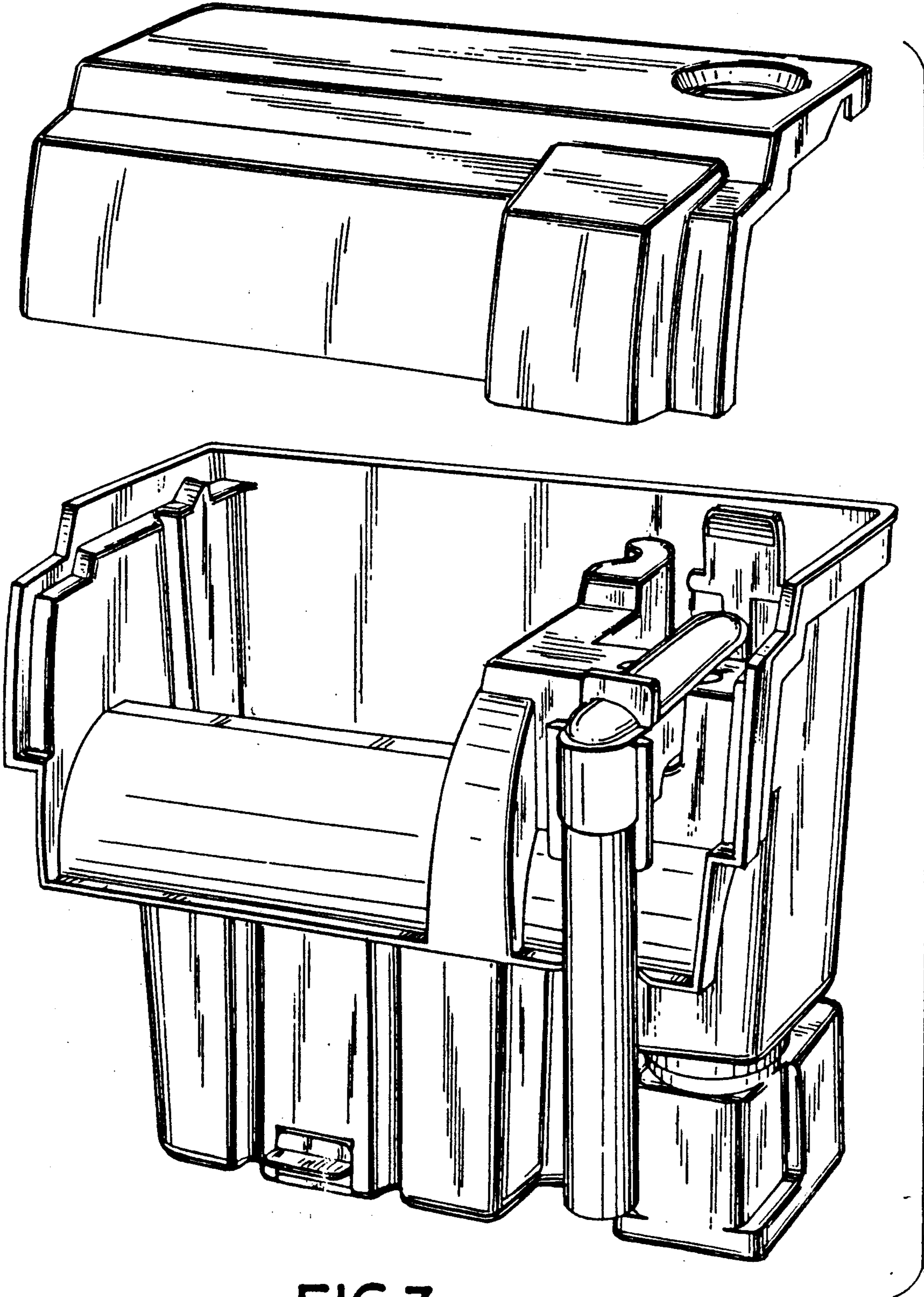


FIG. 7