

[54] **TOY CONSTRUCTION ELEMENT**

[75] **Inventor: Flemming H. Olsen, Espergaerde, Denmark**

[73] **Assignee: Interlego A.G., Switzerland**

[\*\*] **Term: 14 Years**

[21] **Appl. No.: 394,188**

[22] **Filed: Aug. 15, 1989**

[30] **Foreign Application Priority Data**

Feb. 24, 1989 [DK] Denmark ..... MS 0222 1989

[52] **U.S. Cl. .... D21/108**

[58] **Field of Search .... D21/108, 124; 446/120, 446/124, 125, 128, 102, 103, 104**

[56] **References Cited**

**U.S. PATENT DOCUMENTS**

D. 213,709 4/1969 Gale ..... 446/125  
2,486,550 11/1949 Bonkowski ..... 446/124  
3,550,311 12/1970 Fouquart ..... 446/102

3,654,726 4/1972 Witte ..... 446/103  
4,277,040 7/1981 Christoffel ..... 446/120  
4,352,255 10/1982 Warehime ..... 446/124  
4,548,590 10/1985 Green ..... 446/120

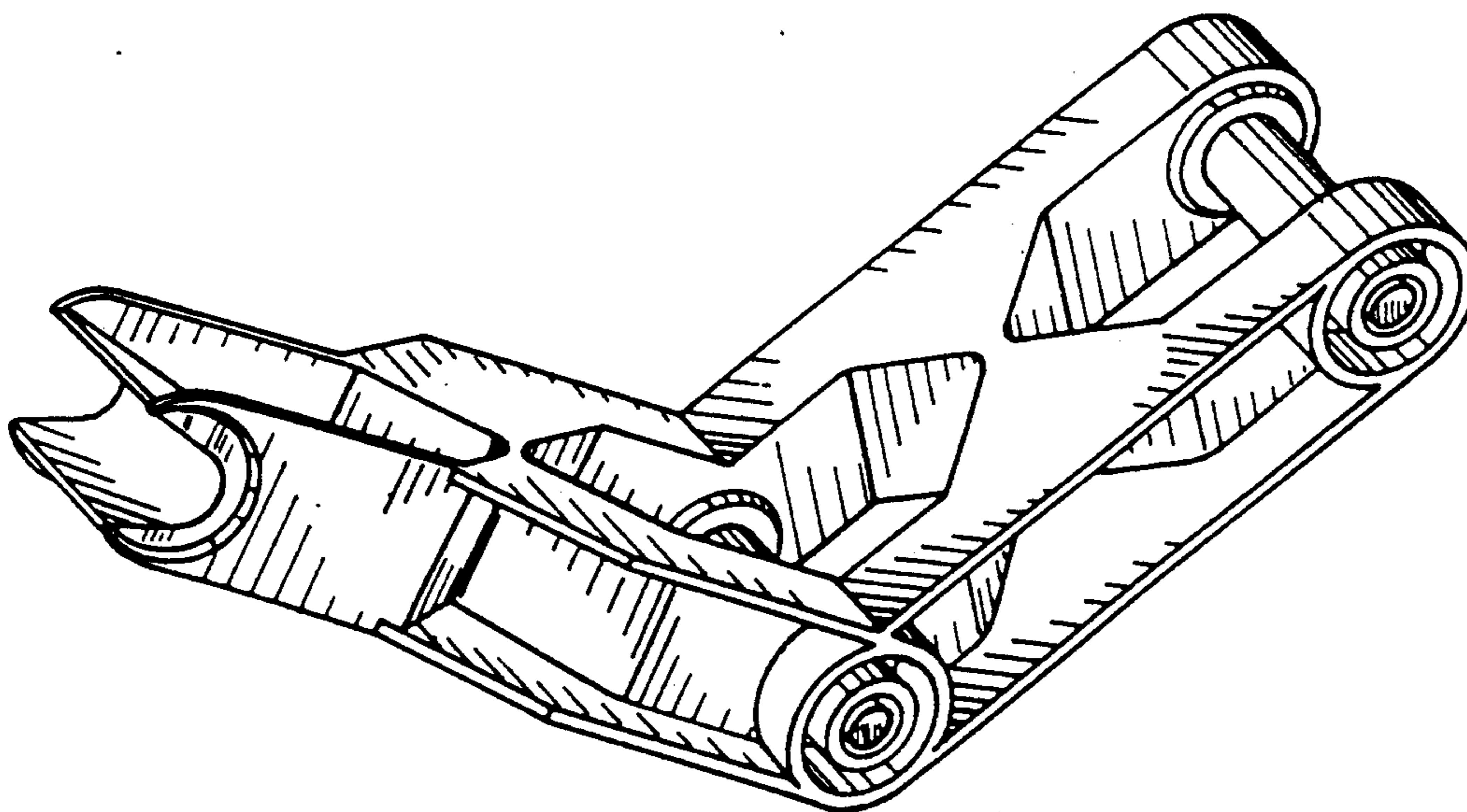
*Primary Examiner*—Charles A. Rademaker  
*Assistant Examiner*—R. Barkai  
*Attorney, Agent, or Firm*—Kane, Dalsimer, Sullivan, Kurucz, Levy, Eisele and Richard

[57] **CLAIM**

The ornamental design for a toy construction element, as shown and described.

**DESCRIPTION**

FIG. 1 is a top perspective view of a toy construction element showing my new design, FIG. 2 is a bottom perspective view thereof, FIG. 3 is a right side elevational view thereof, FIG. 4 is a front elevational view thereof; FIG. 5 is a rear elevational view thereof; FIG. 6 is a bottom plan view thereof, FIG. 7 is a left side elevational view thereof, and FIG. 8 is a top plan view thereof.



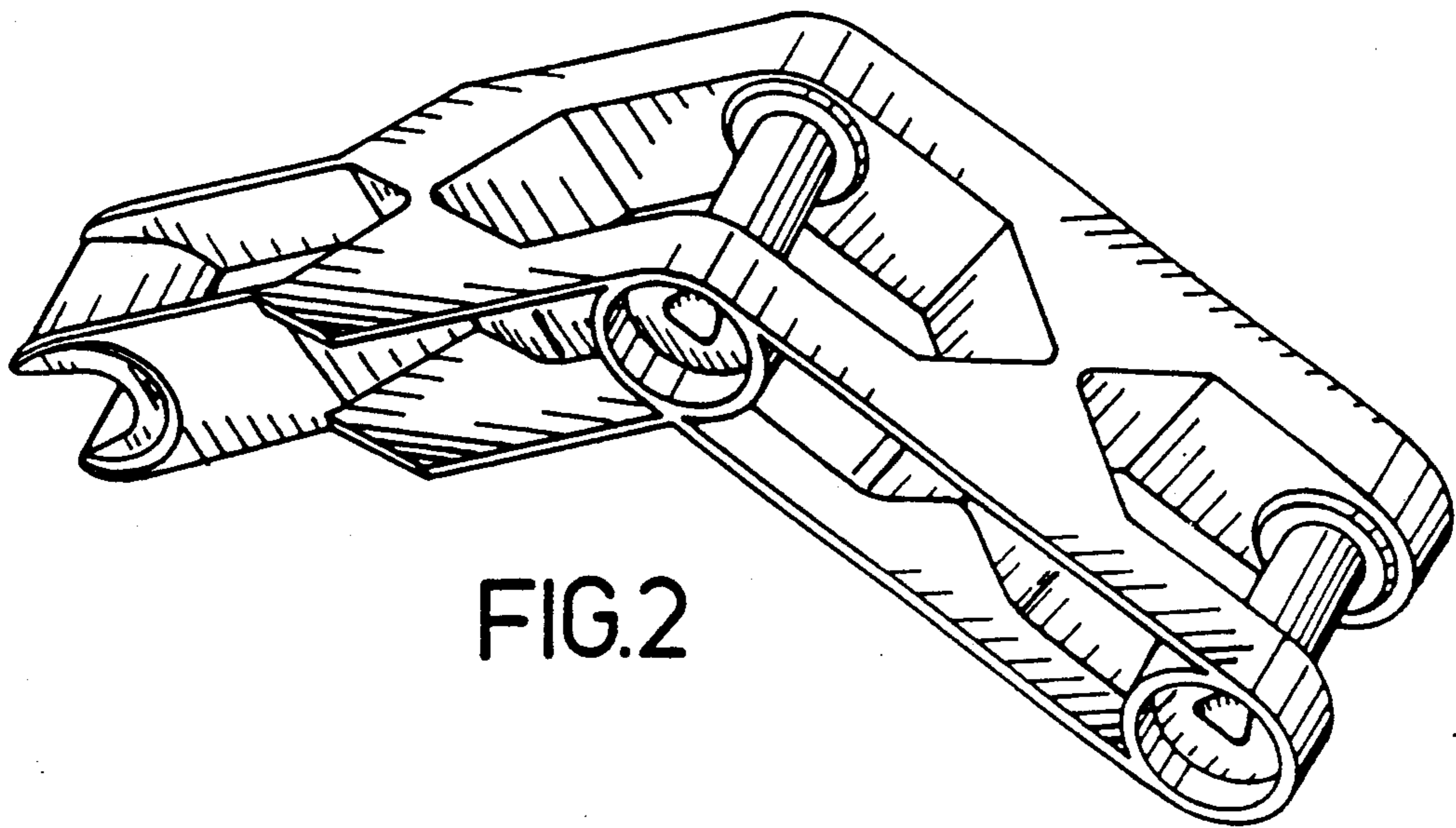
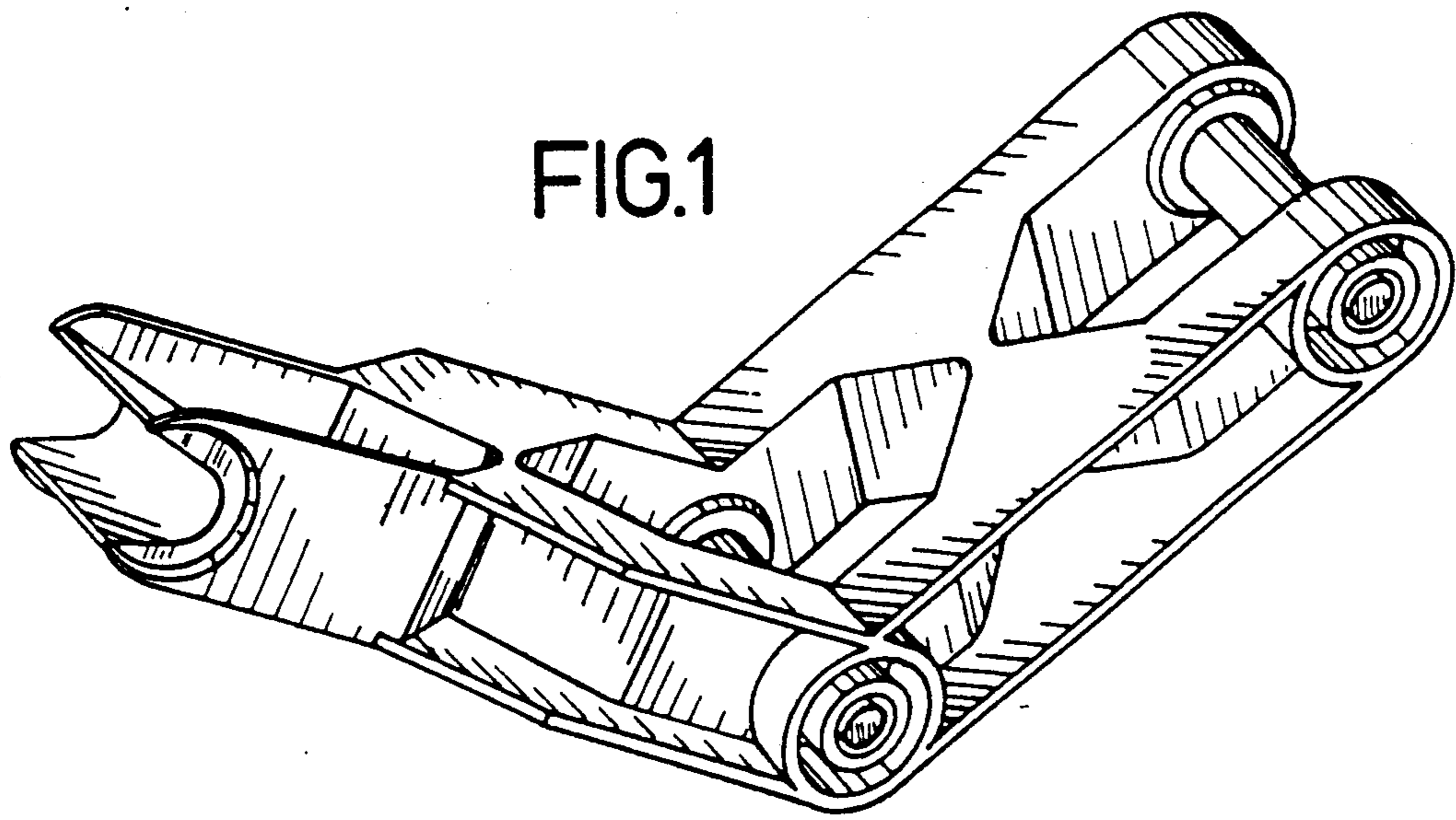


FIG.6

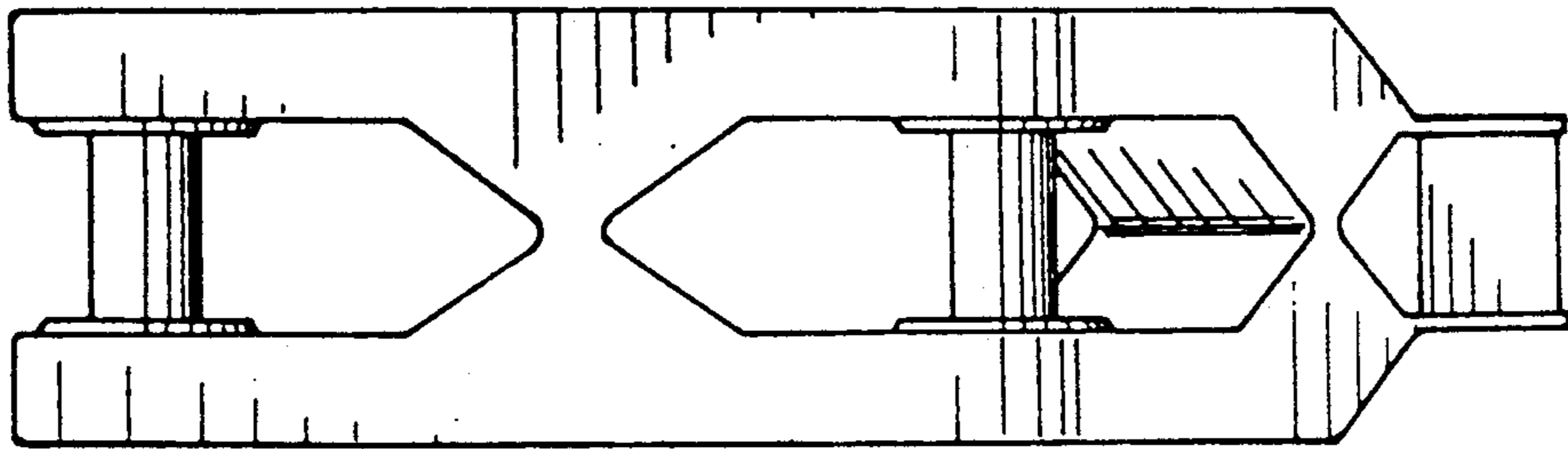


FIG.3

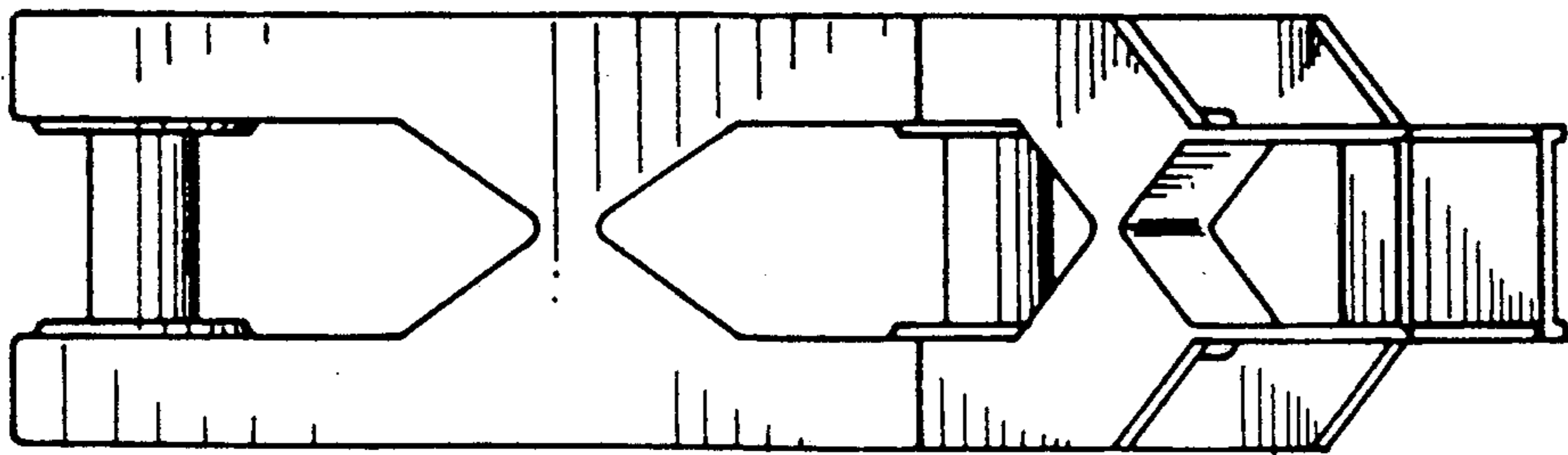
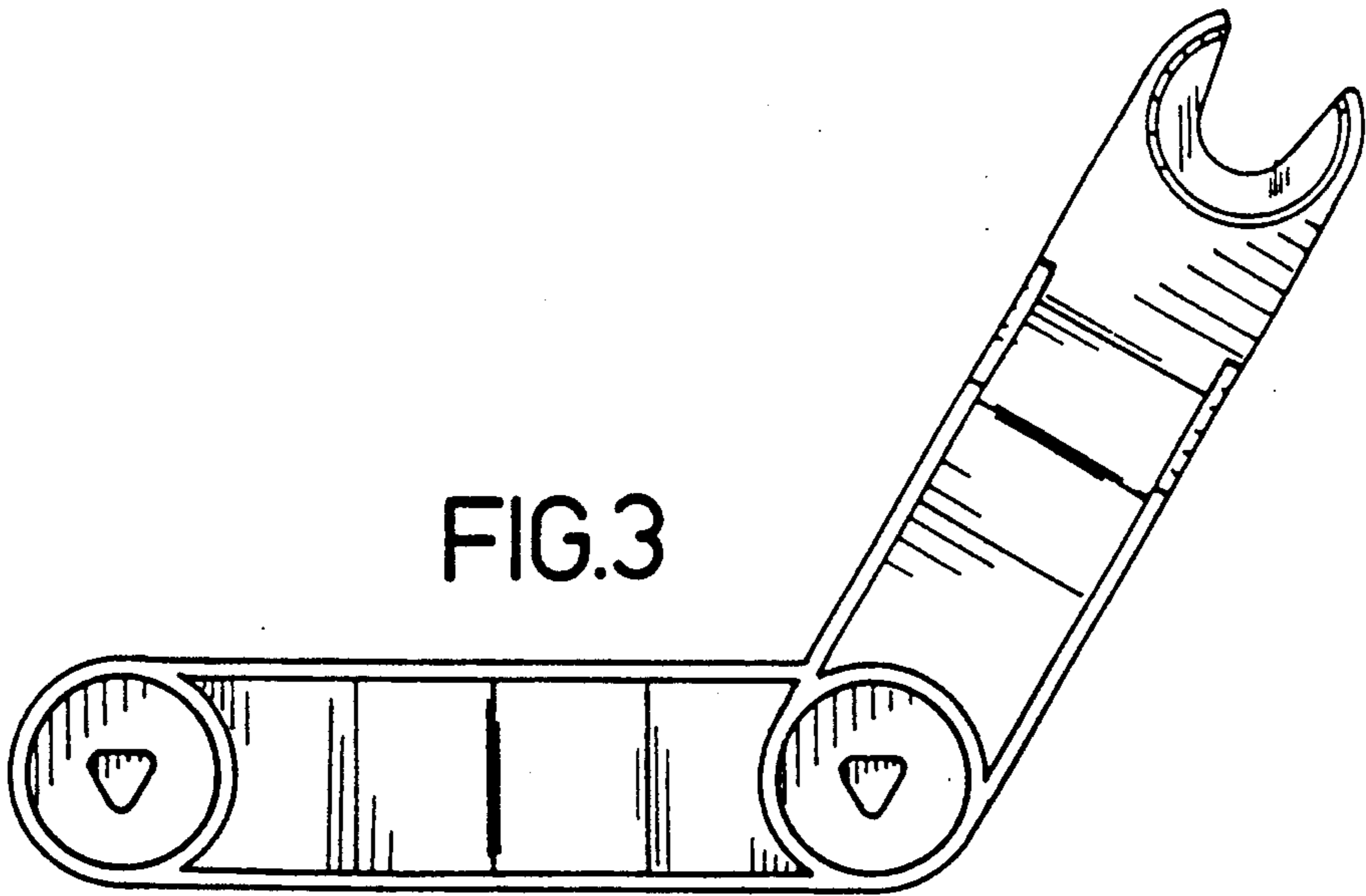


FIG.8

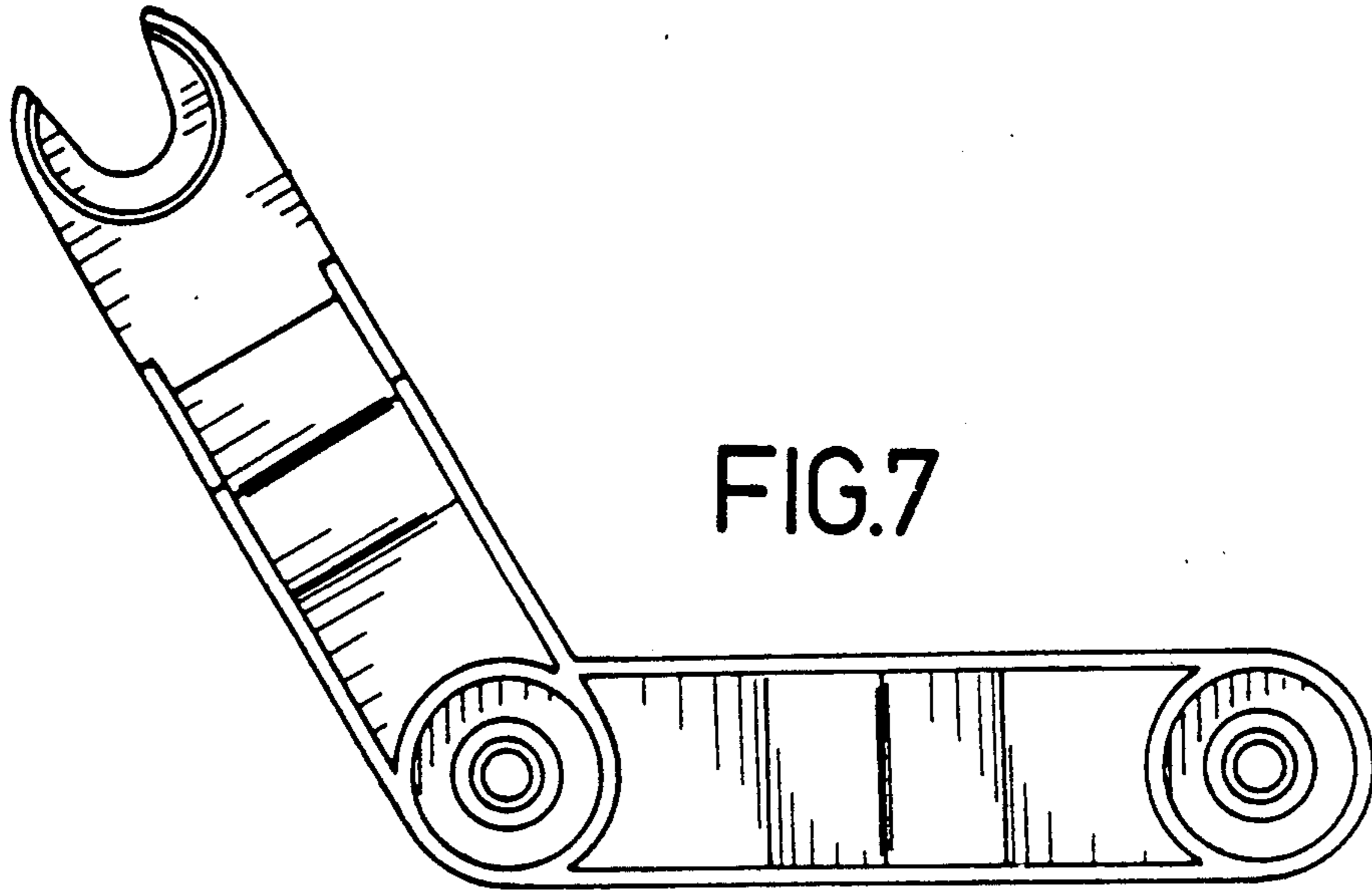


FIG. 7

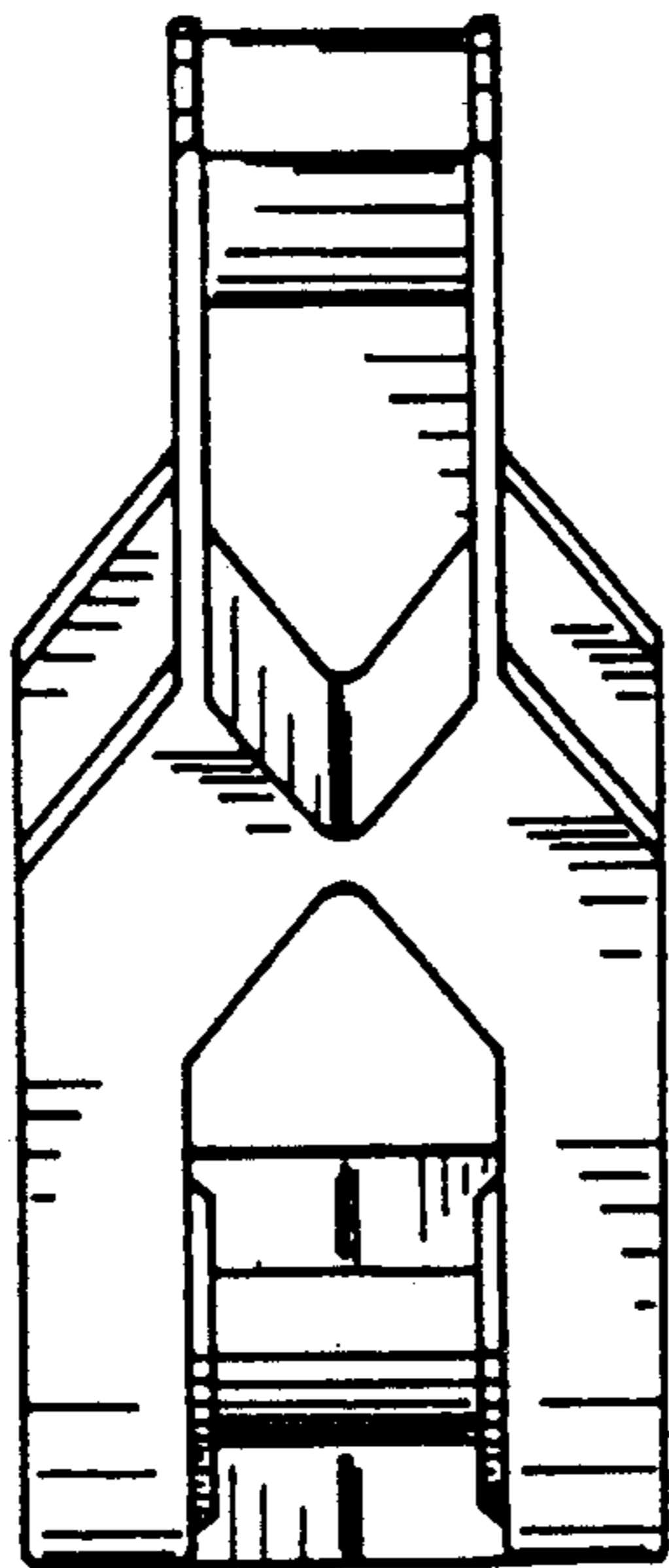


FIG. 4

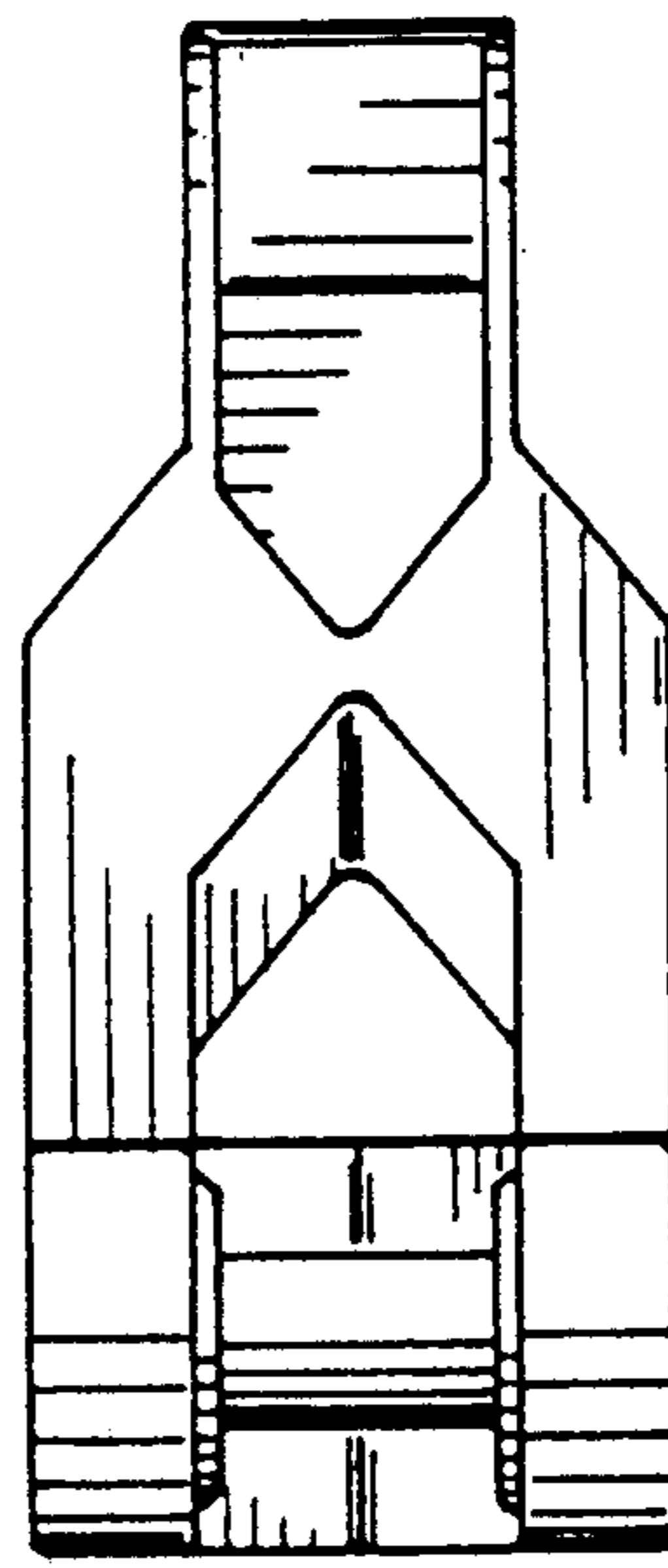


FIG. 5