

[54] **MOTORIZED SKATEBOARD**

[76] Inventor: **Norman R. Cohen**, 3018 Gant  
Quarters Dr., Marietta, Ga. 30068

[\*\*] Term: **14 Years**

[21] Appl. No.: **264,909**

[22] Filed: **Oct. 31, 1988**

[52] U.S. Cl. .... **D21/81**

[58] Field of Search ..... **D21/71, 73, 74, 75,**  
**D21/76, 80, 81, 227, 29; 446/433, 440, 441, 450,**  
**452, 460, 465, 466, 467, 468, 470; 280/87.01,**  
**87.021, 87.041, 87.042, 87.043, 98.05, 87.051**

[56] **References Cited**

**U.S. PATENT DOCUMENTS**

|            |         |                       |            |
|------------|---------|-----------------------|------------|
| D. 289,065 | 3/1987  | Schultz .....         | D21/81     |
| 2,953,398  | 9/1960  | Green et al. ....     | 280/87.042 |
| 3,992,029  | 11/1976 | Washizawa et al. .... | 280/87.041 |
| 4,546,841  | 10/1985 | Sipiano .....         | 180/181    |
| 4,707,884  | 11/1987 | Chang .....           | 280/87.041 |
| 4,775,162  | 10/1988 | Chao .....            | 280/87.041 |
| 4,821,832  | 4/1989  | Patmont .....         | 180/208    |

**OTHER PUBLICATIONS**

**ZZIPPER**—World's First Folding Mini-Moped Info  
Sheets, Sebring Auto-Cycle Inc.

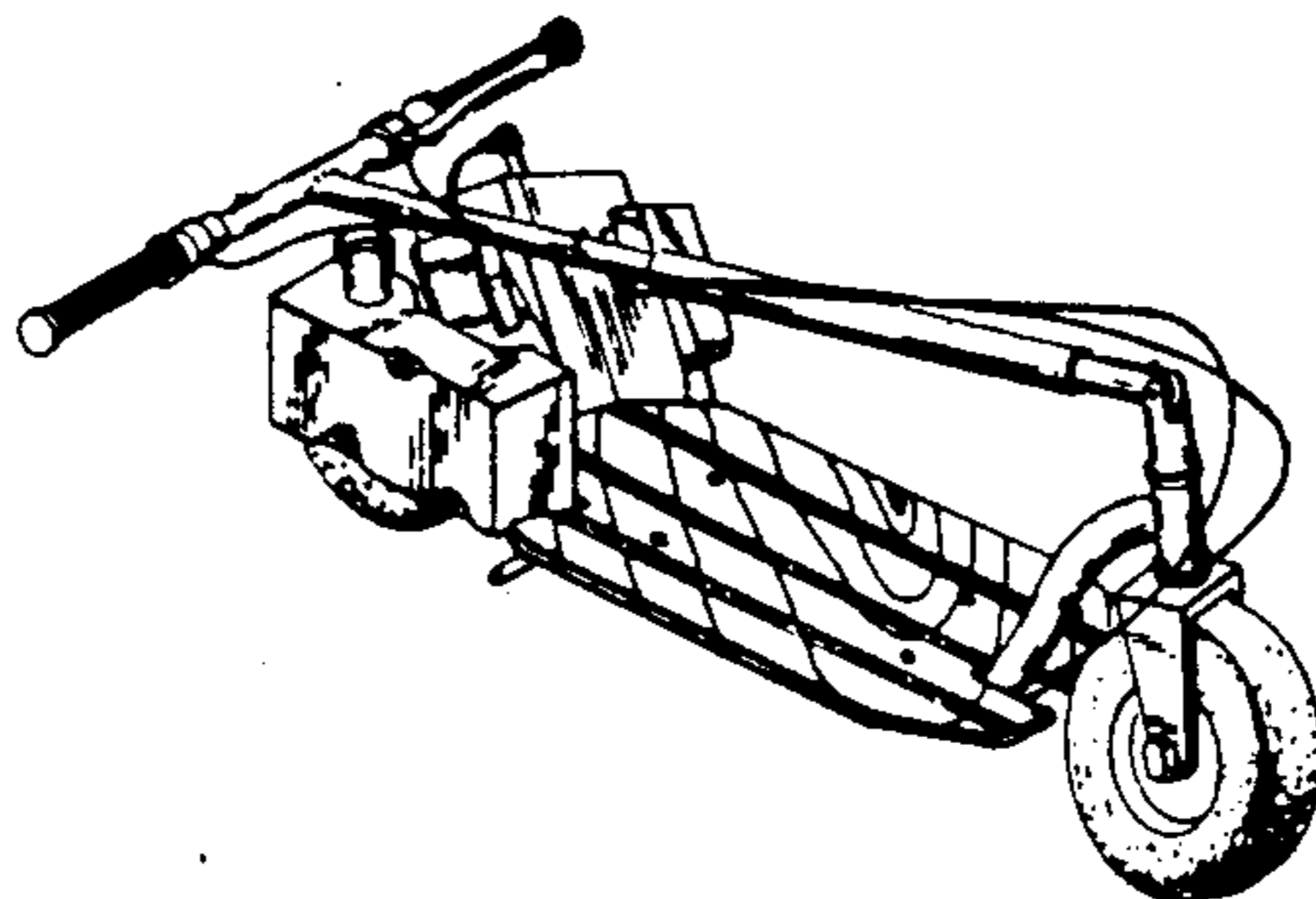
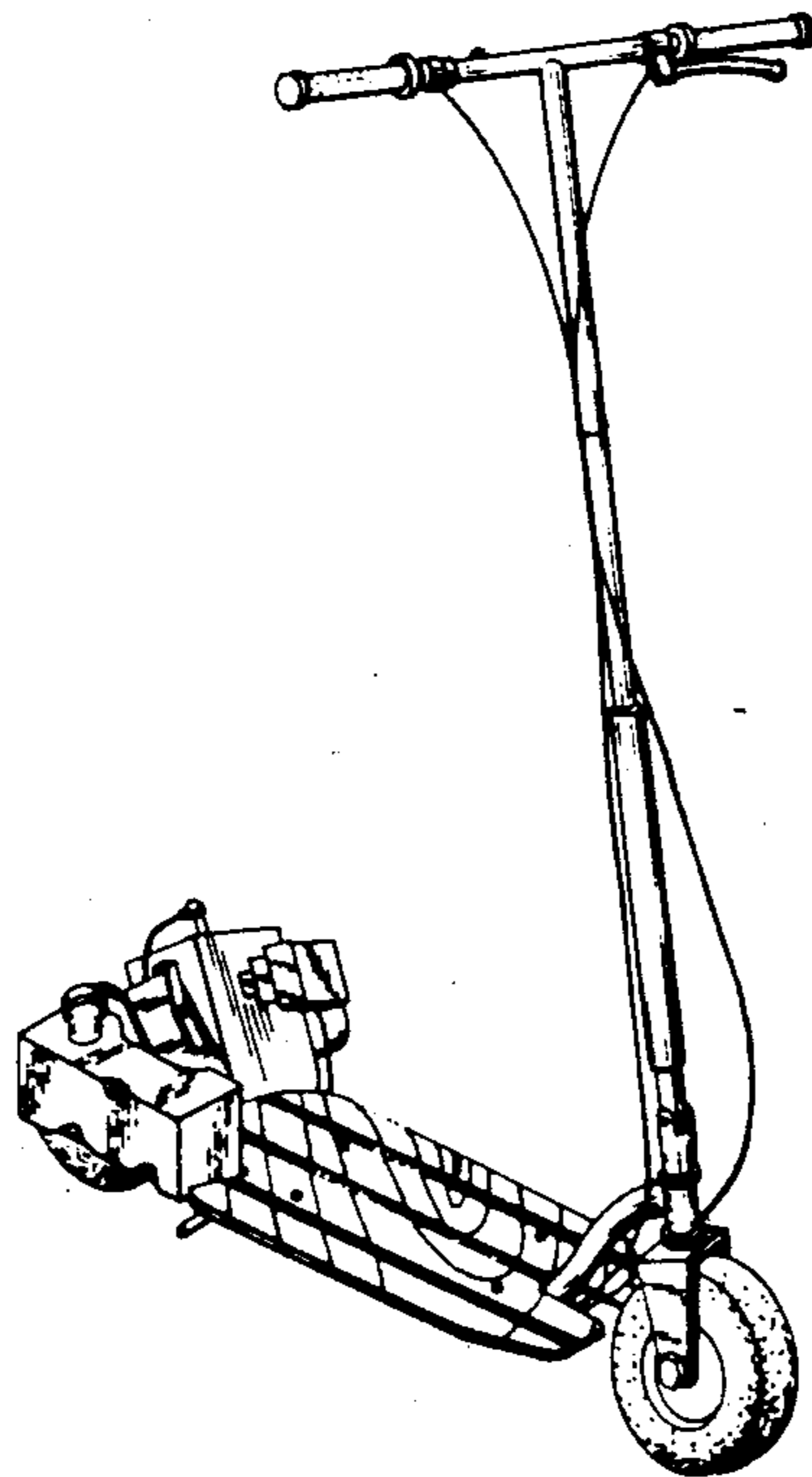
*Primary Examiner*—Charles A. Rademaker  
*Assistant Examiner*—Alicia A. Farrell  
*Attorney, Agent, or Firm*—Louis T. Isaf

[57] **CLAIM**

The ornamental design for a motorized skateboard, as  
shown and described.

**DESCRIPTION**

FIG. 1 is a perspective view of a motorized skateboard  
showing my new design;  
FIG. 2 is a perspective view thereof with the handle in  
a collapsed position;  
FIG. 3 is a left side elevational view thereof with the  
support in an upright position;  
FIG. 4 is a right side elevational view thereof;  
FIG. 5 is a front elevational view thereof;  
FIG. 6 is a rear elevational view thereof;  
FIG. 7 is a top plan view thereof; and  
FIG. 8 is a bottom plan view thereof.



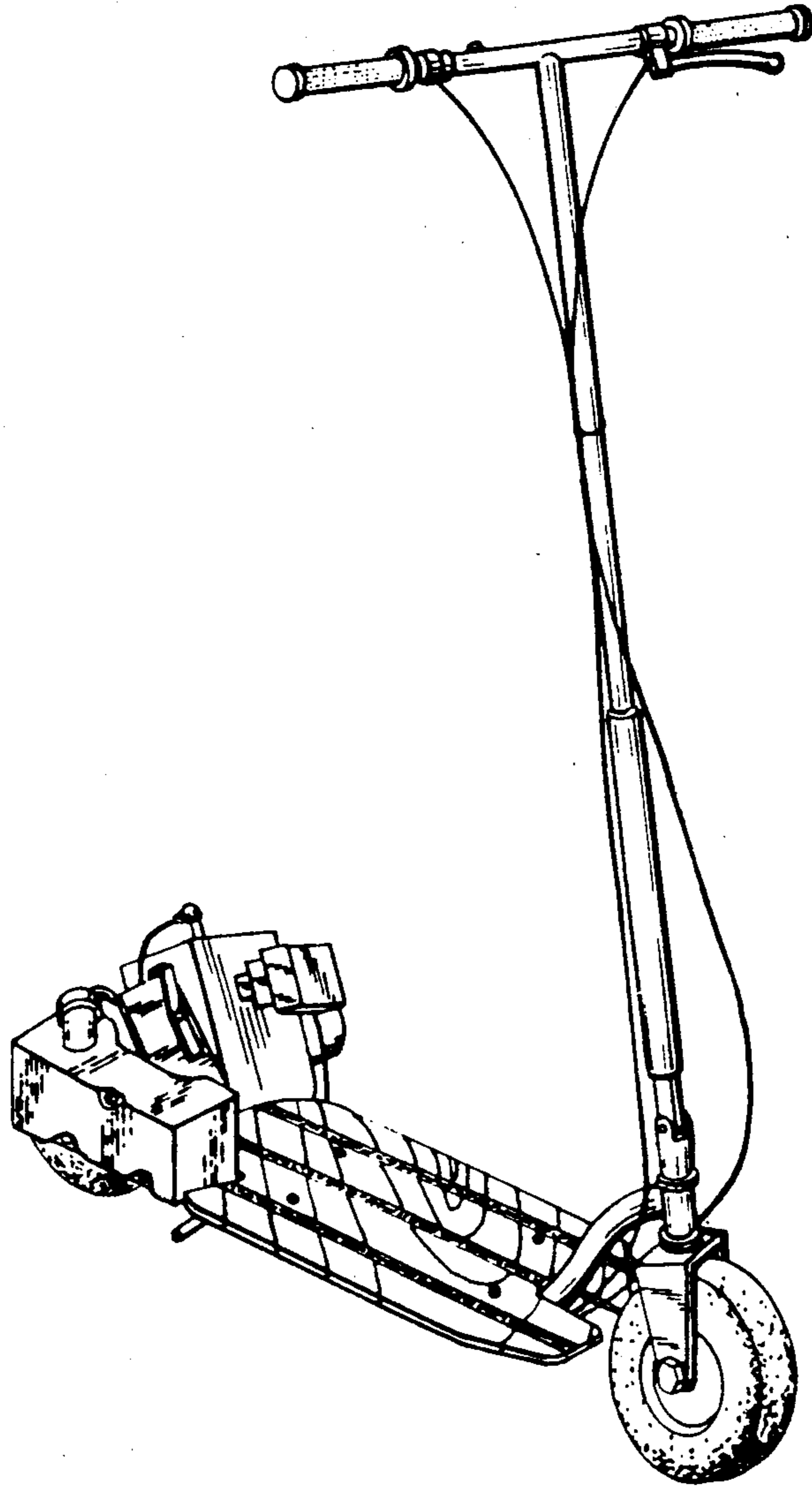


Fig 1

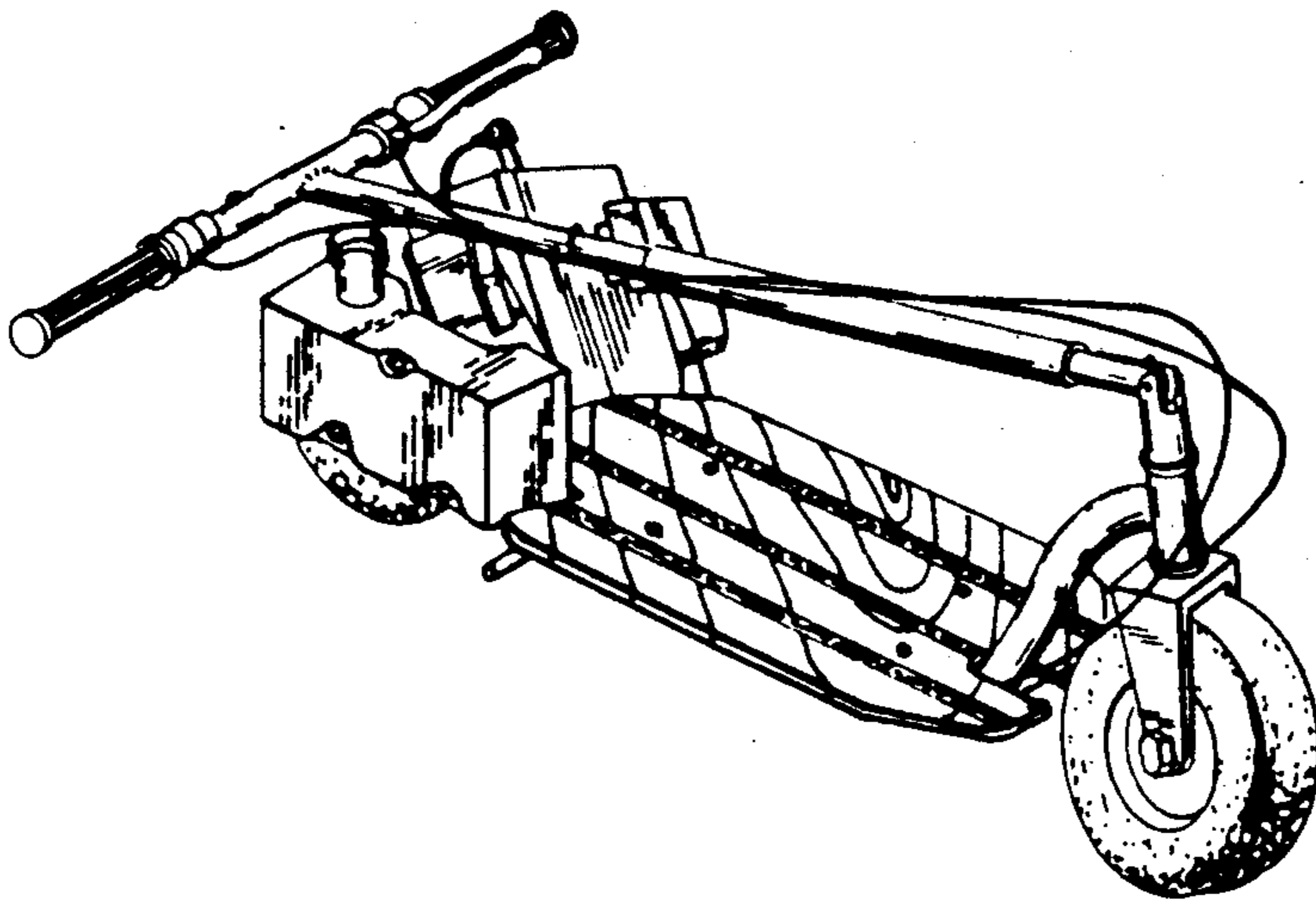
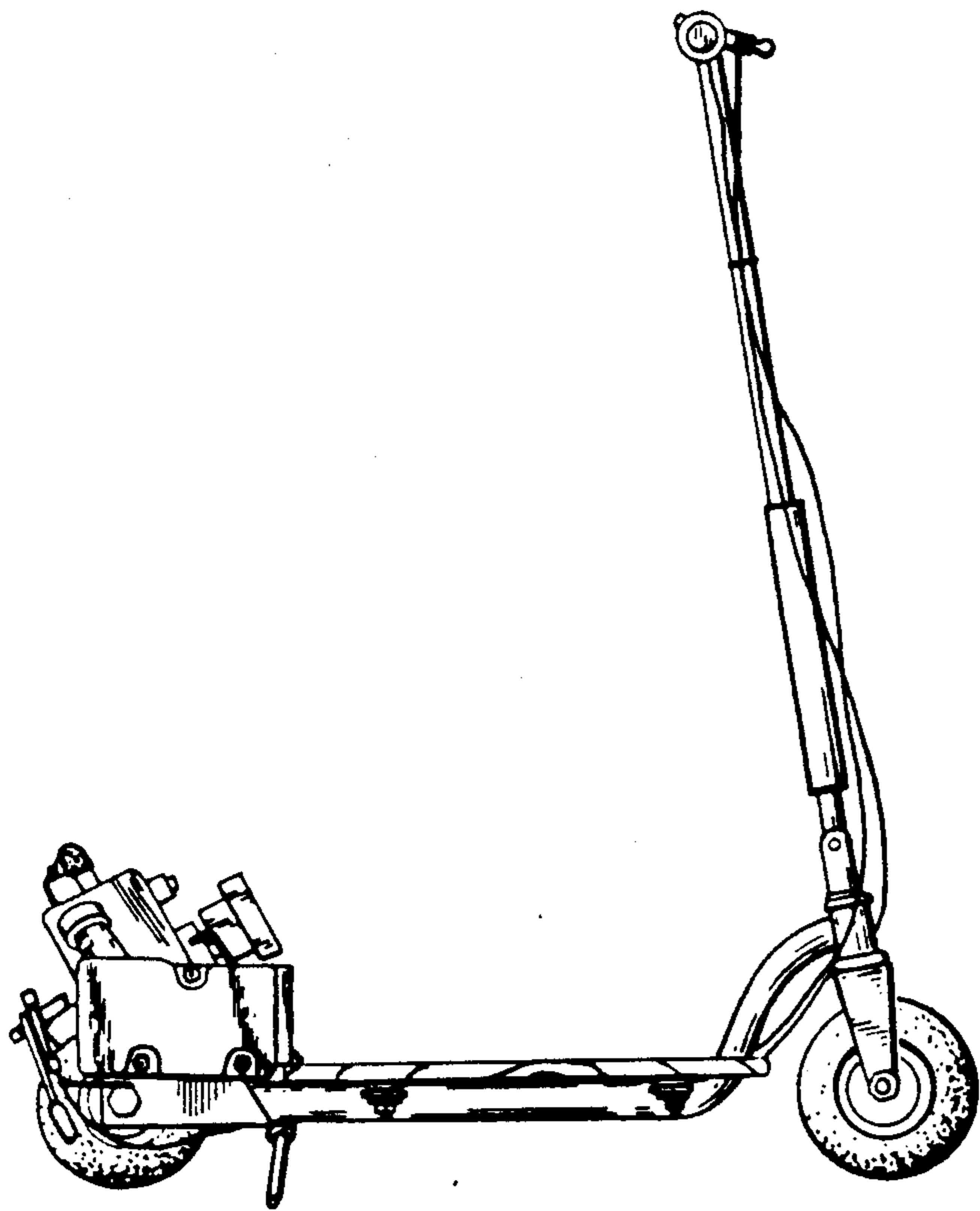
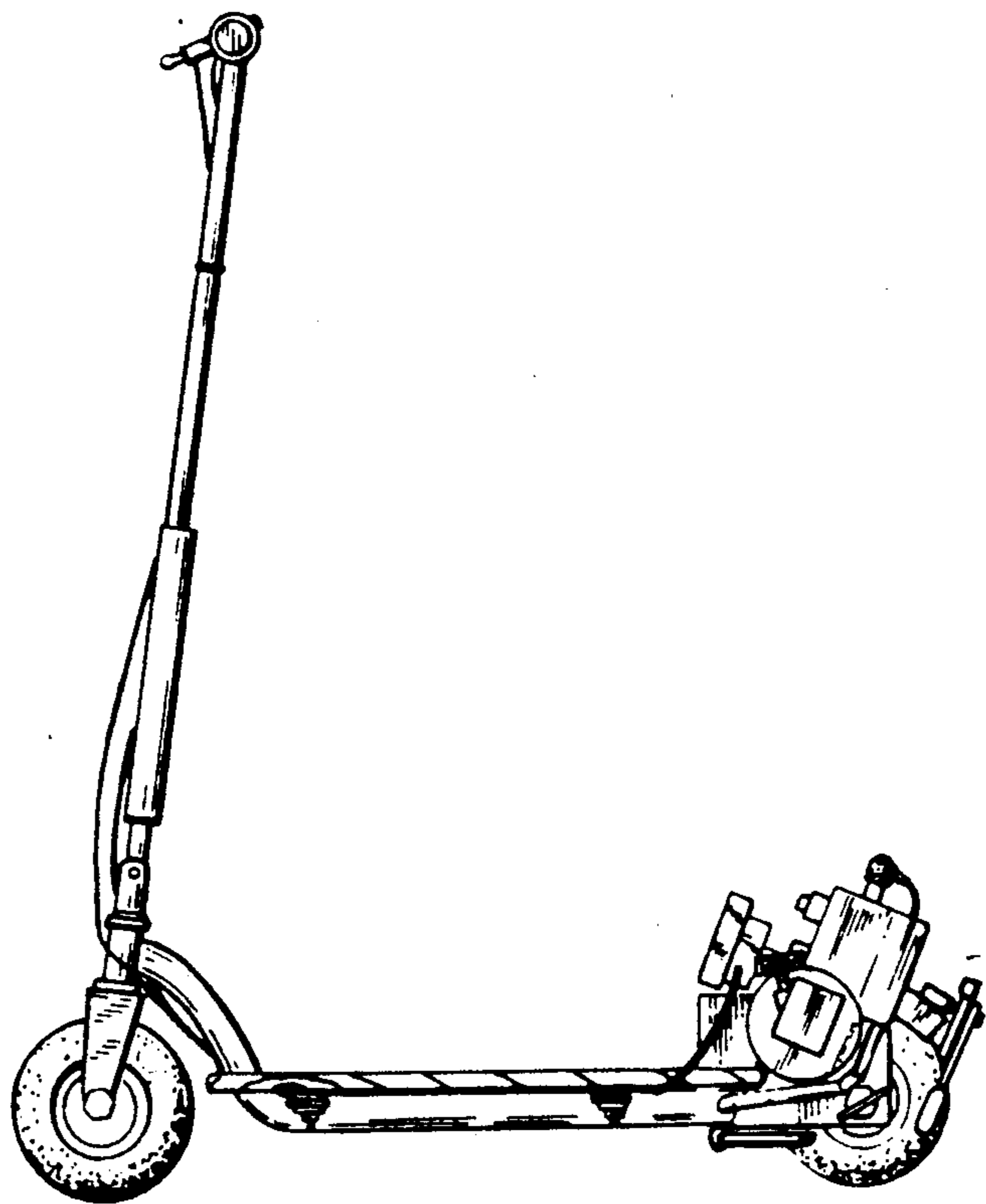


Fig 2



*Fig* 3

*Fig* 4



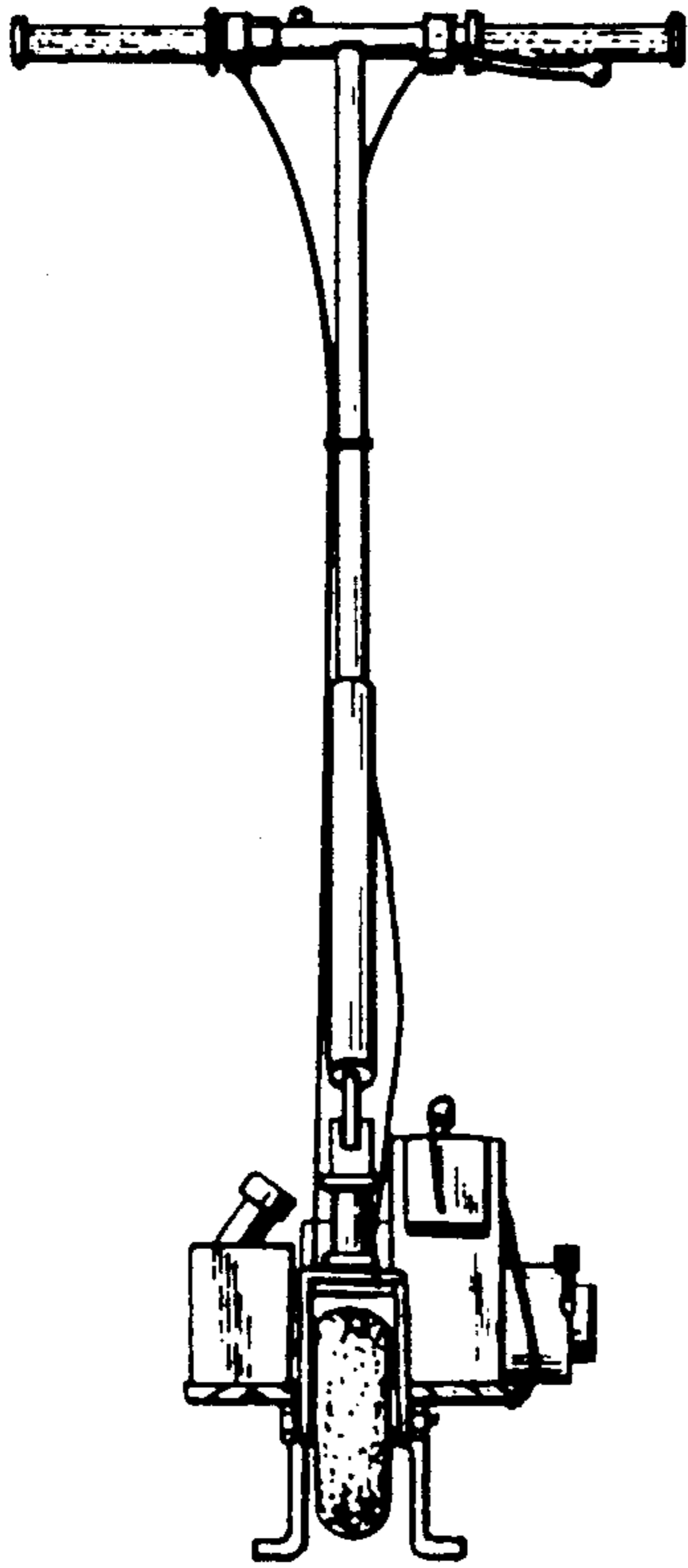


Fig 5

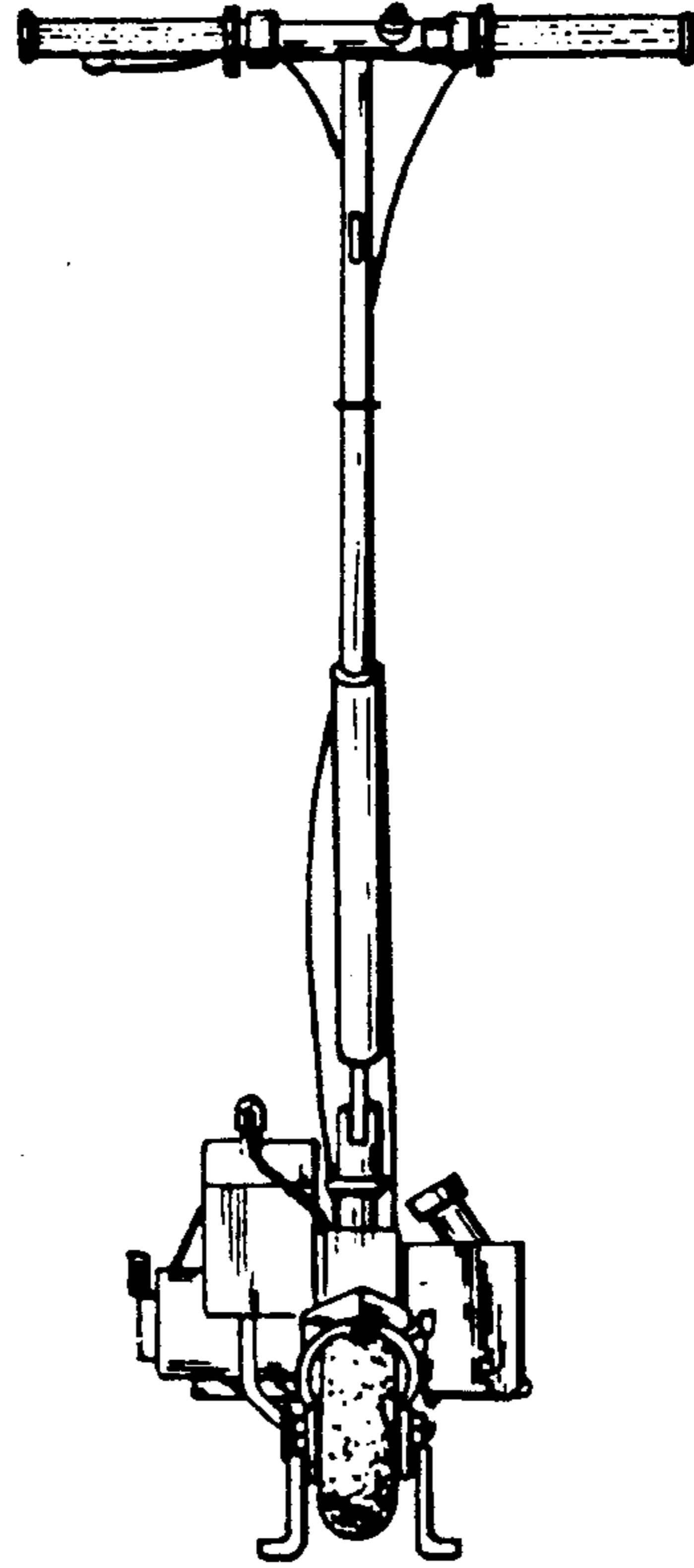


Fig 6

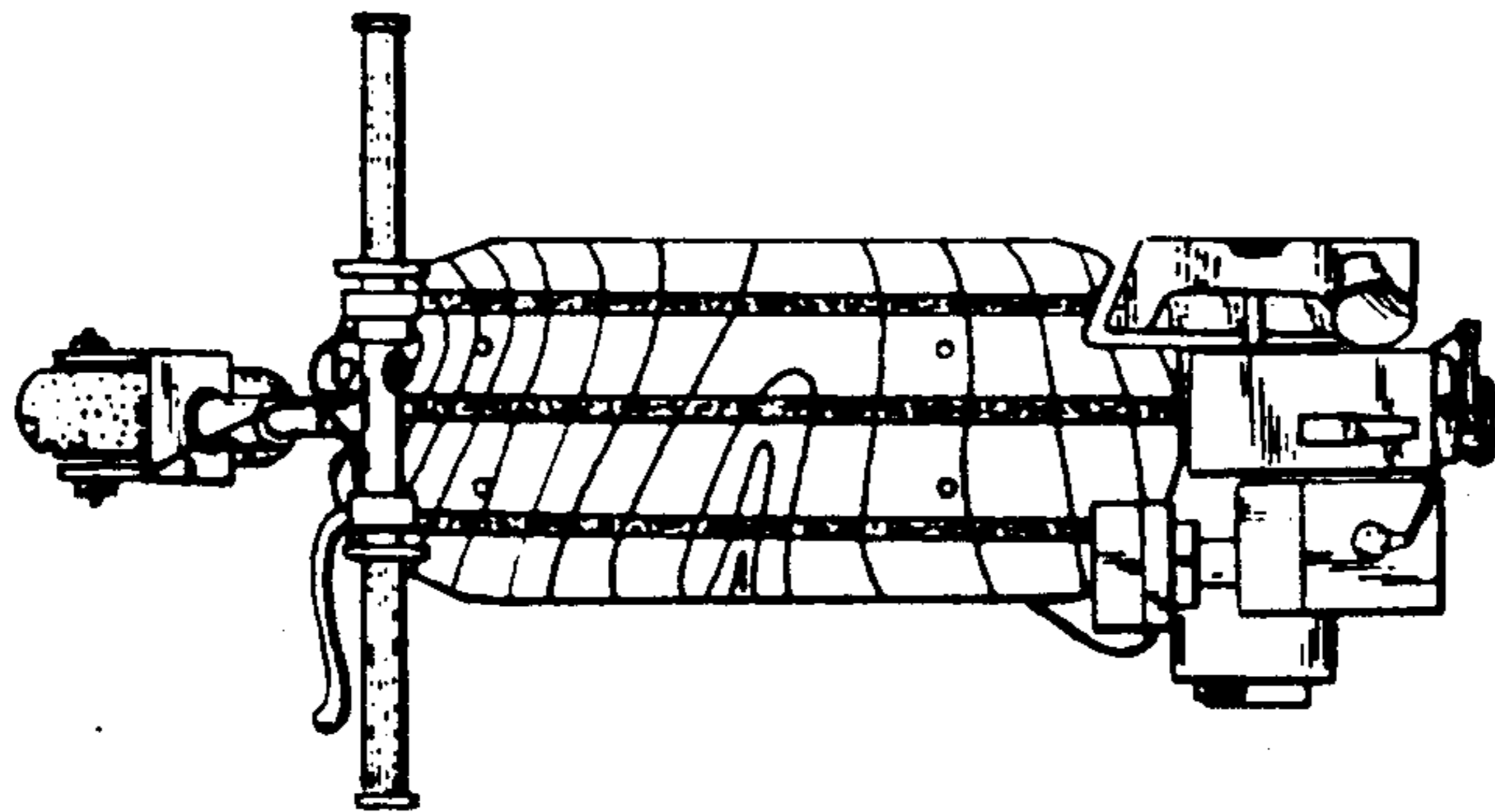


Fig 7

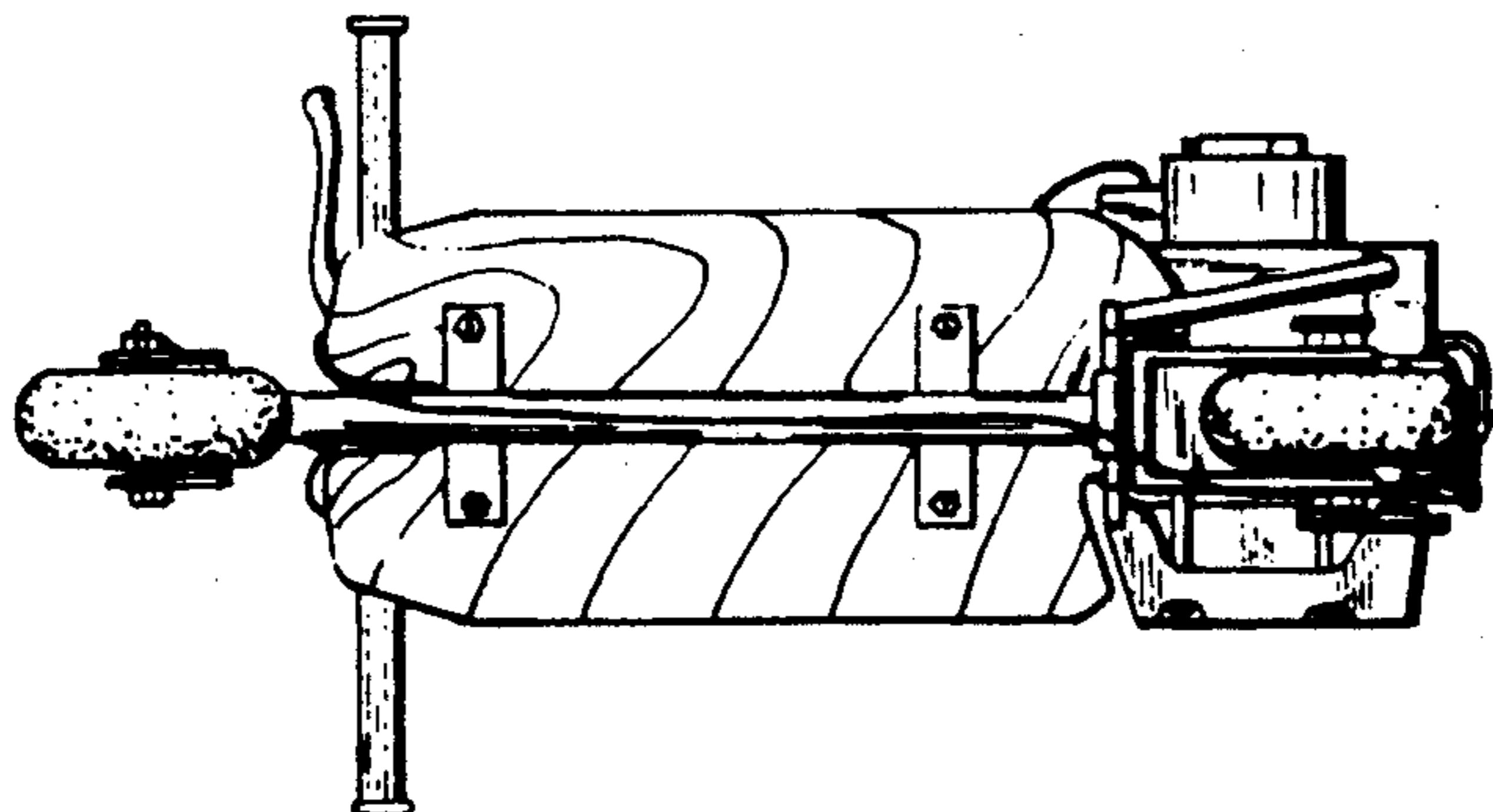


Fig 8