

[54] **NOISE MAKER**

[76] **Inventor: Shirl F. Hall, 3585 Jefferson Rd., Ashtabula, Ohio 44004**

[**] **Term: 14 Years**

[21] **Appl. No.: 179,651**

[22] **Filed: Apr. 8, 1988**

[52] **U.S. Cl. D21/64; D17/22**

[58] **Field of Search D21/64-65; D17/22; 446/418; 84/402**

[56] **References Cited**

U.S. PATENT DOCUMENTS

4,266,459 5/1981 Seregely 84/402 X
4,810,228 3/1989 Huggins 446/418

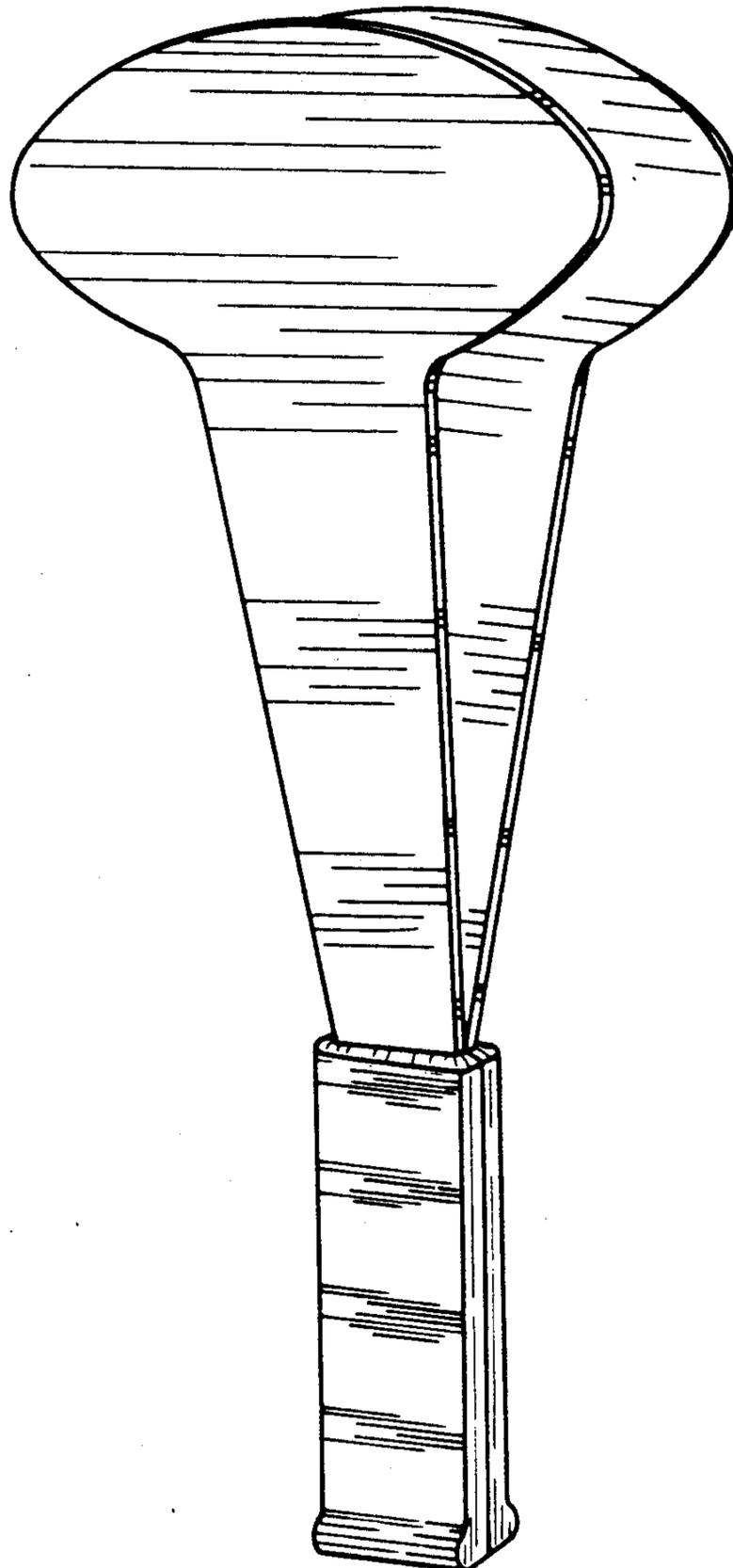
Primary Examiner—Bernard Ansher
Assistant Examiner—Terry A. Pfeffer
Attorney, Agent, or Firm—D. Peter Hochberg; Mark Kusner; Louis J. Weisz

[57] **CLAIM**

The ornamental design for a noise maker, as shown and described.

DESCRIPTION

FIG. 1 is a perspective view of a noise maker showing my new design;
FIG. 2 is a front elevational view thereof, the opposite side being a mirror image;
FIG. 3 is a side elevational view thereof;
FIG. 4 is a top plan view thereof; and
FIG. 5 is a bottom plan view thereof.



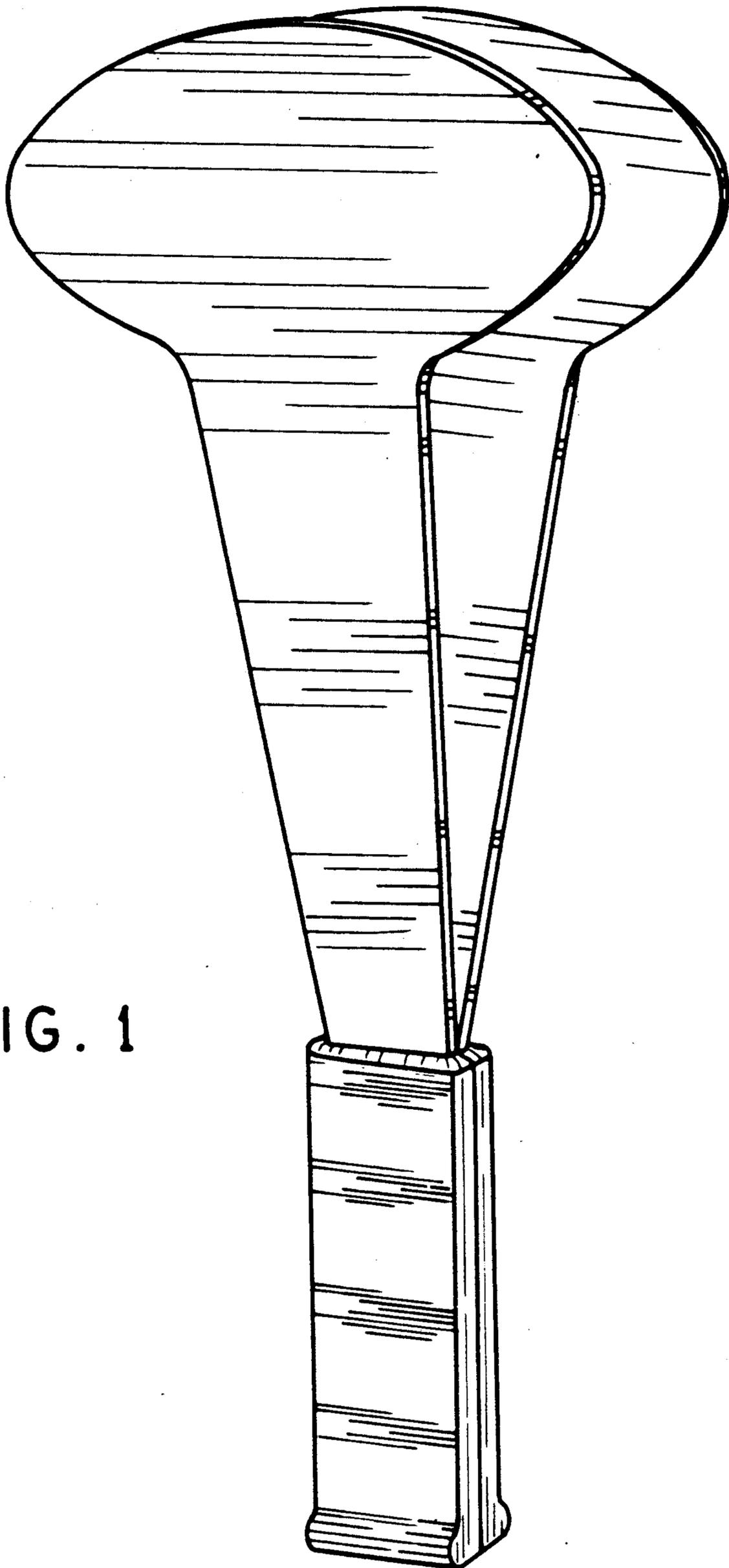


FIG. 1

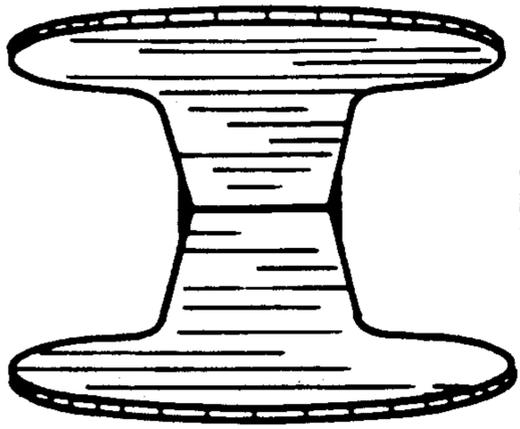


FIG. 4

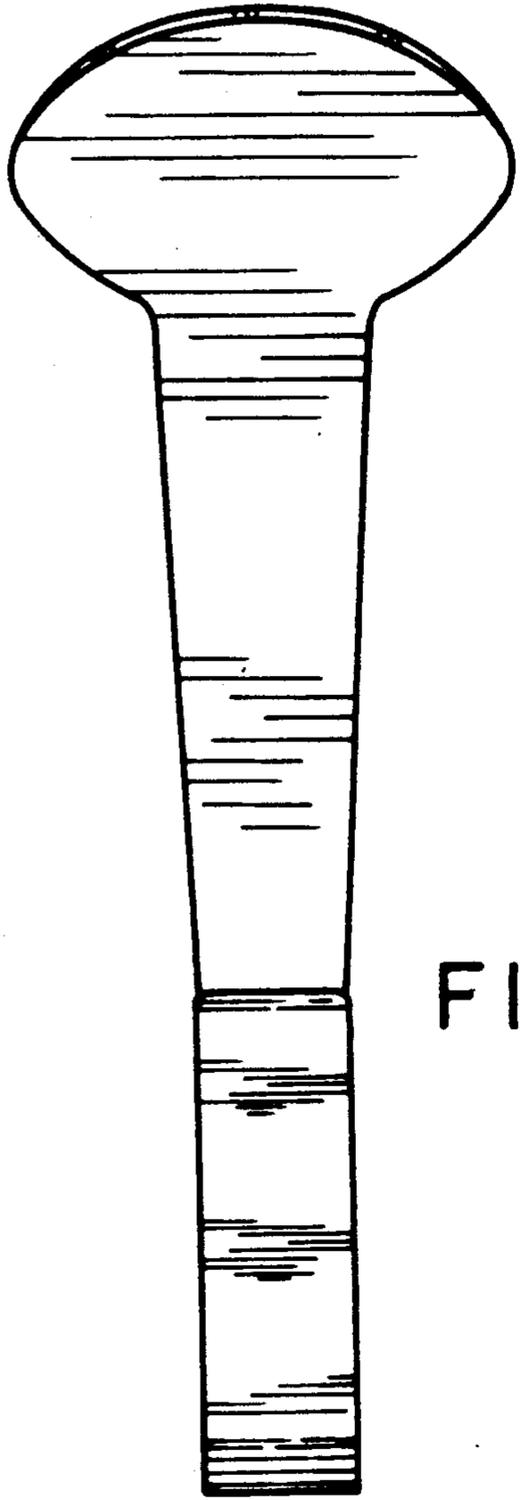


FIG. 2

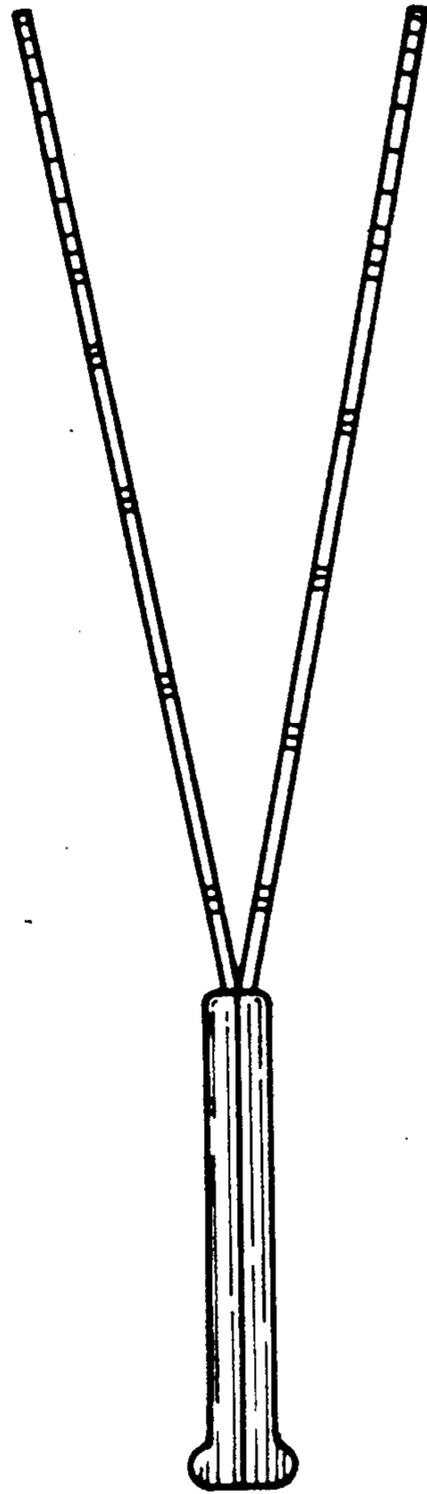


FIG. 3

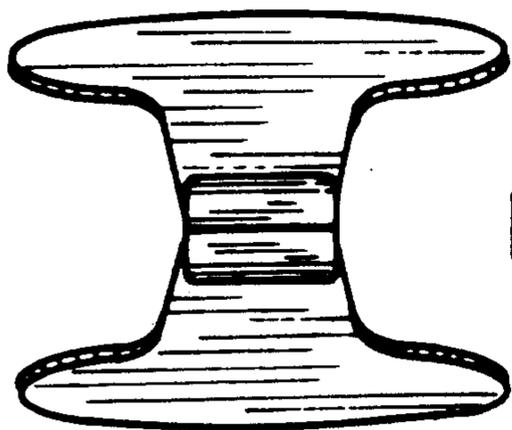


FIG. 5