

[54] JOYSTICK

[75] Inventor: Michael K. M. Tse, Kowloon Bay, Hong Kong

[73] Assignee: STD Electronic International Ltd., Kowloon, Hong Kong

[**] Term: 14 Years

[21] Appl. No.: 334,981

[22] Filed: Apr. 7, 1989

[30] Foreign Application Priority Data

Oct. 18, 1988 [GB] United Kingdom 1054353

[52] U.S. Cl. D21/48

[58] Field of Search D21/48, 13; 273/148 B, 273/DIG. 28; D13/32

[56] References Cited

U.S. PATENT DOCUMENTS

D. 279,202	6/1985	Kim	D21/48
D. 284,593	7/1986	Happ	D21/48
D. 303,815	10/1989	Kim	D21/48
D. 308,701	6/1990	Kojima	D21/13
4,658,666	4/1987	Liu	273/148 B X
4,748,441	5/1988	Brzezinski	273/148 B X

OTHER PUBLICATIONS

HFD-Retailing Home Furnishings, Dec. 20, 1982, p. 44.

Washington Post Magazine, Dec. 30, 1954, p. 23, top and middle of the page.

Playthings, Sep. 1988, p. 50, top right of the page.

Primary Examiner—Bernard Ansher

Assistant Examiner—Prabhakar Deshmukh

Attorney, Agent, or Firm—Burns, Doane, Swecker & Mathis

[57] CLAIM

The ornamental design for a joystick, as shown and described.

DESCRIPTION

FIG. 1 is a front elevation of a joystick showing my new design;

FIG. 2 is a rear elevation thereof;

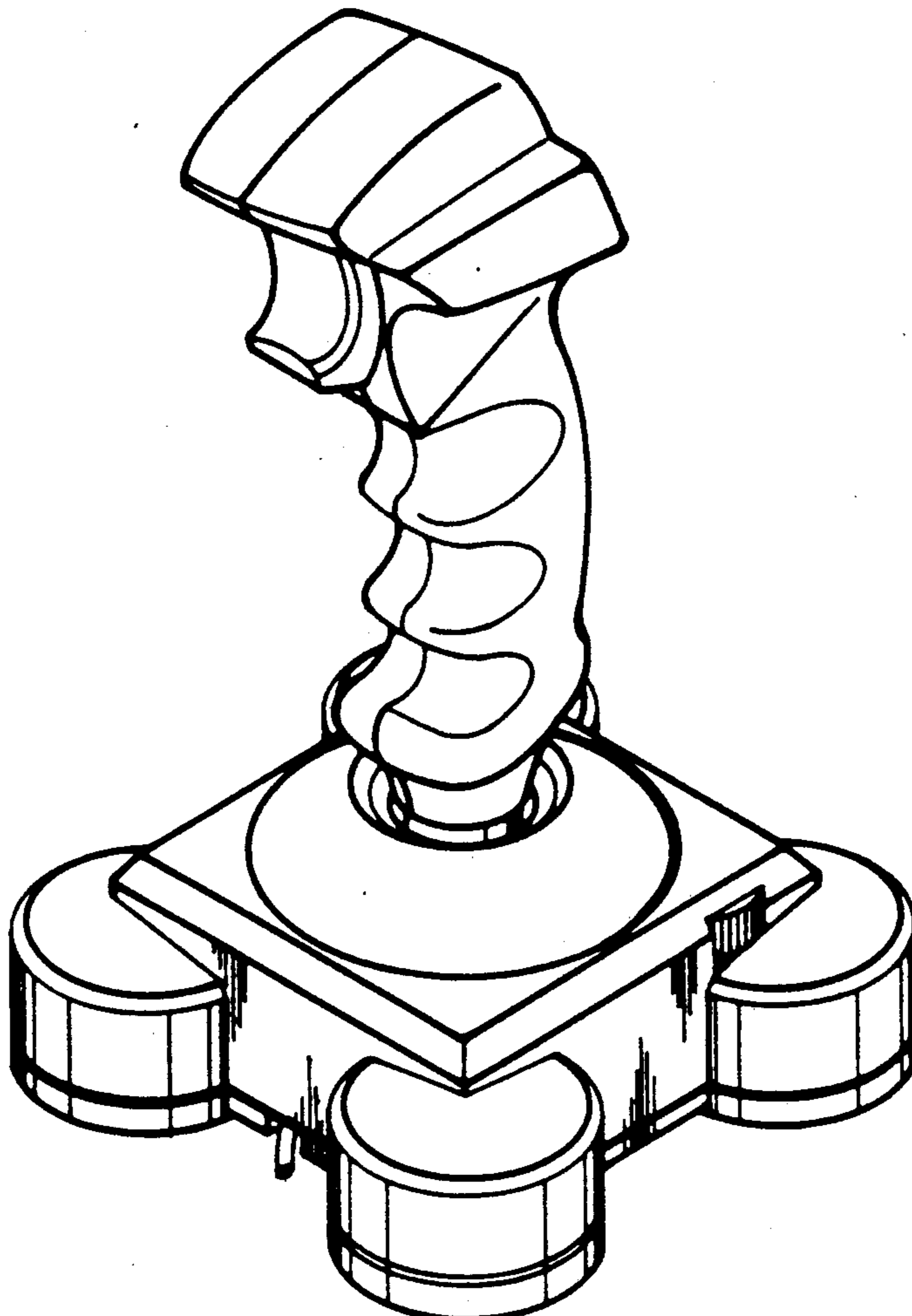
FIG. 3 is a left side elevation thereof;

FIG. 4 is a right side elevation thereof;

FIG. 5 is a top plan view thereof;

FIG. 6 is a bottom plan view thereof; and

FIG. 7 is a perspective view thereof.



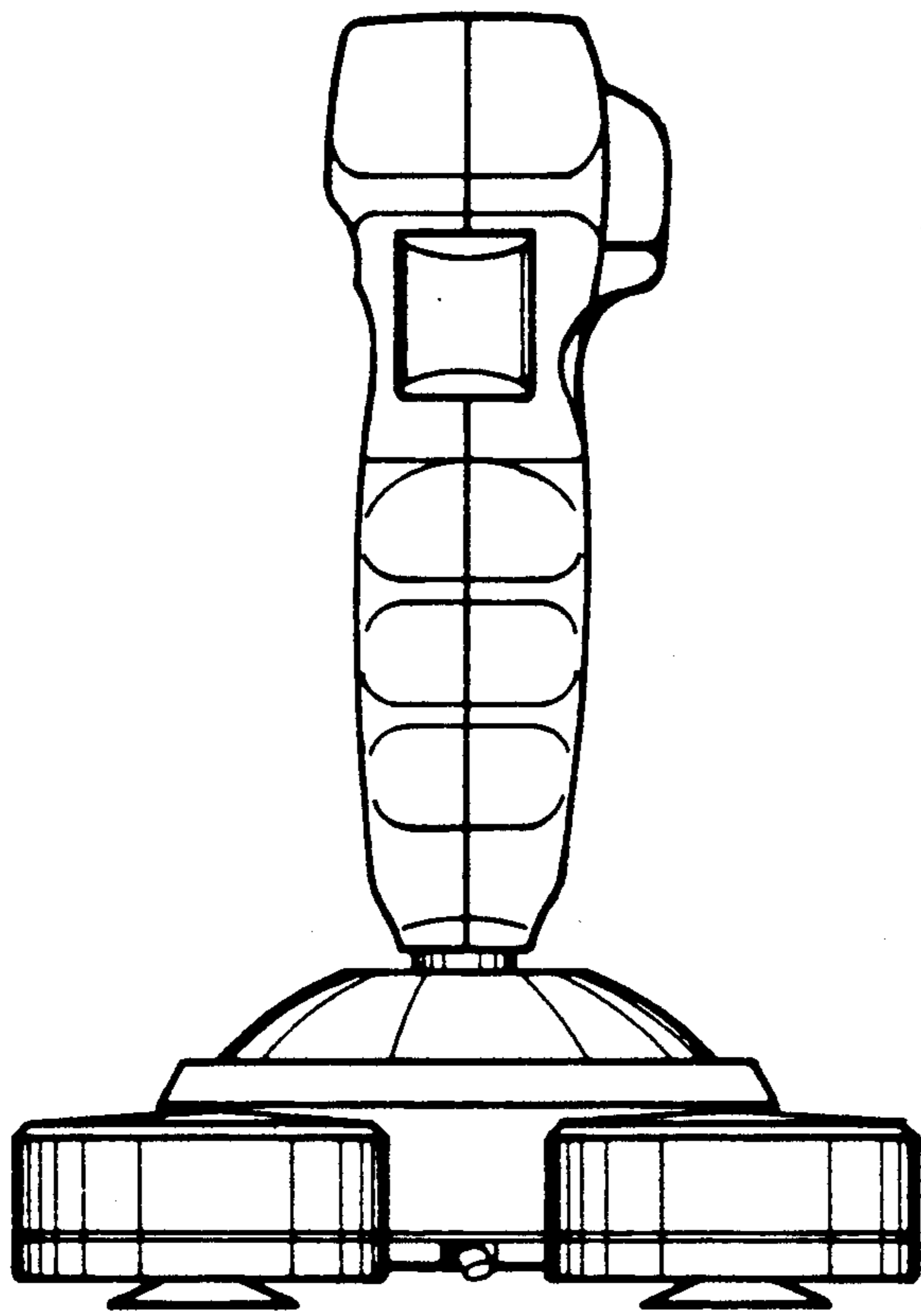


FIG. 1

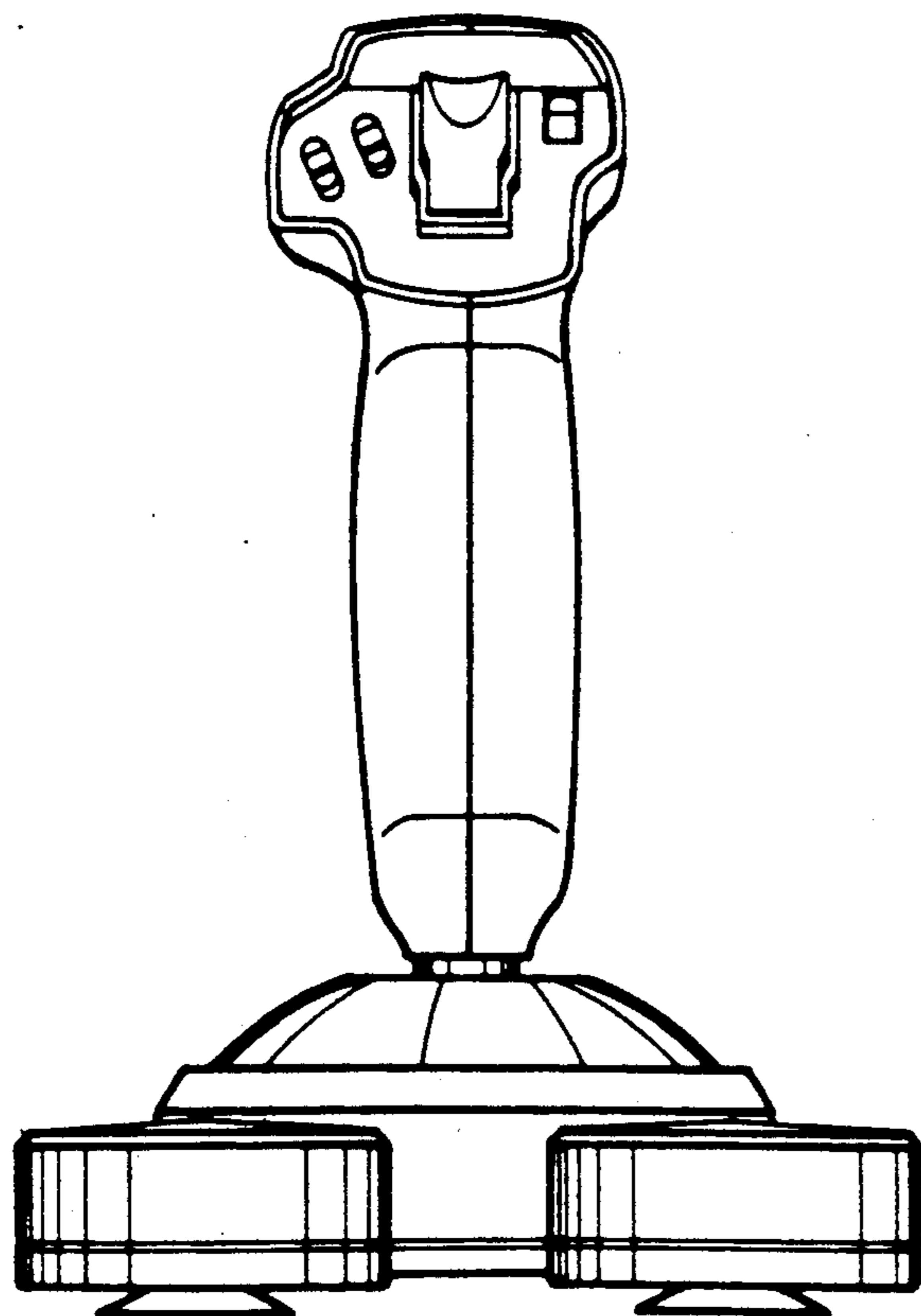


FIG. 2

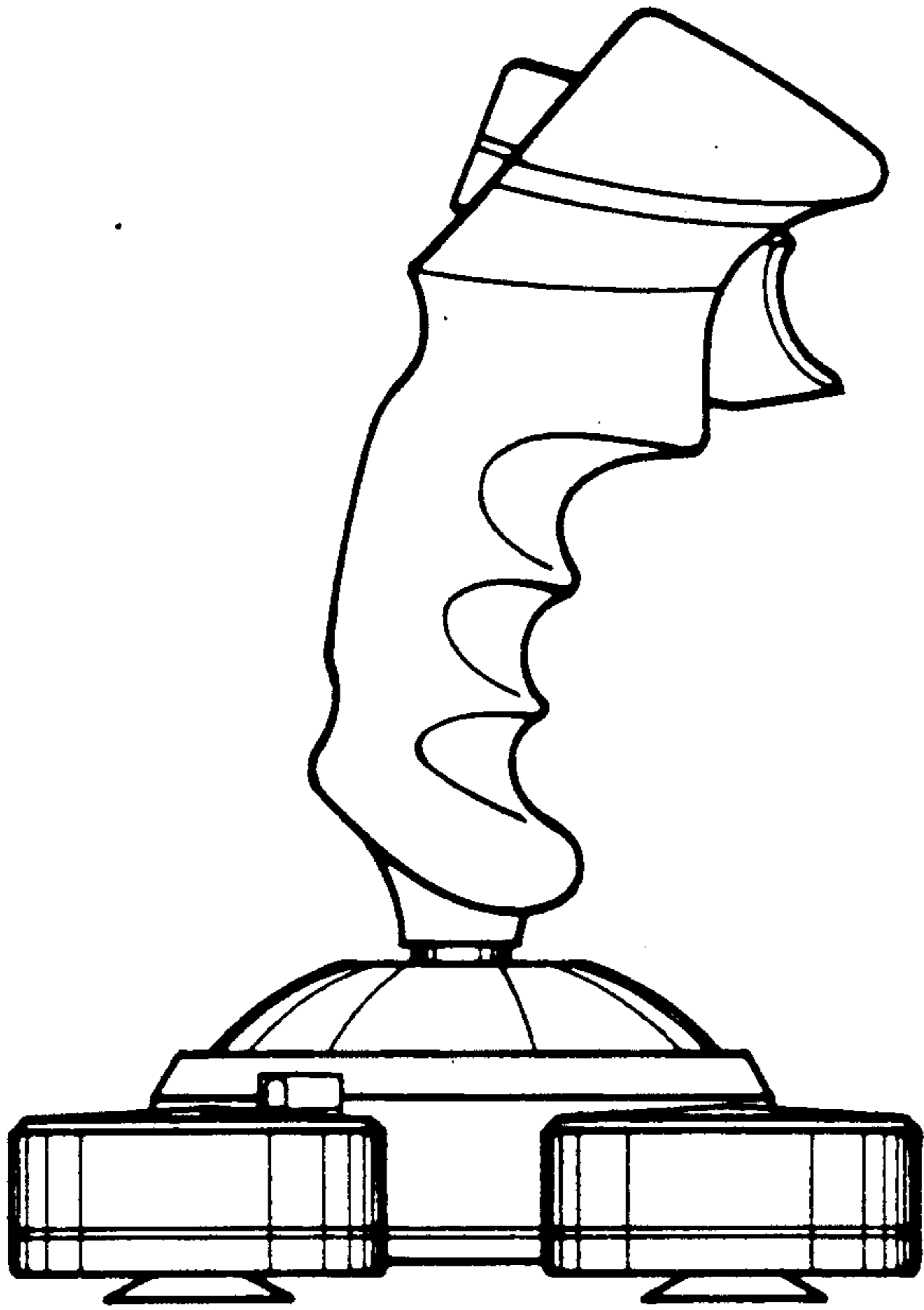


FIG. 3

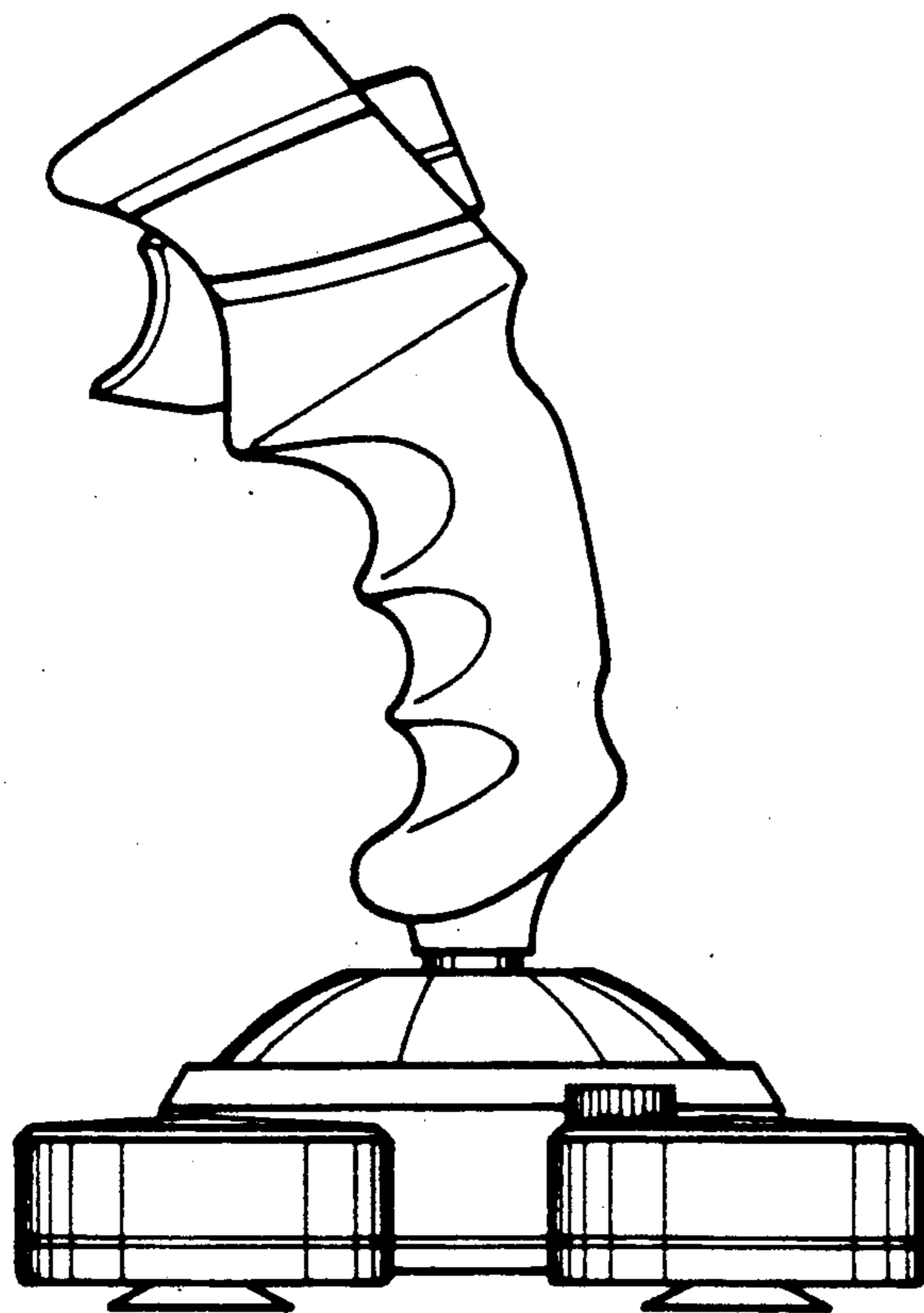


FIG. 4

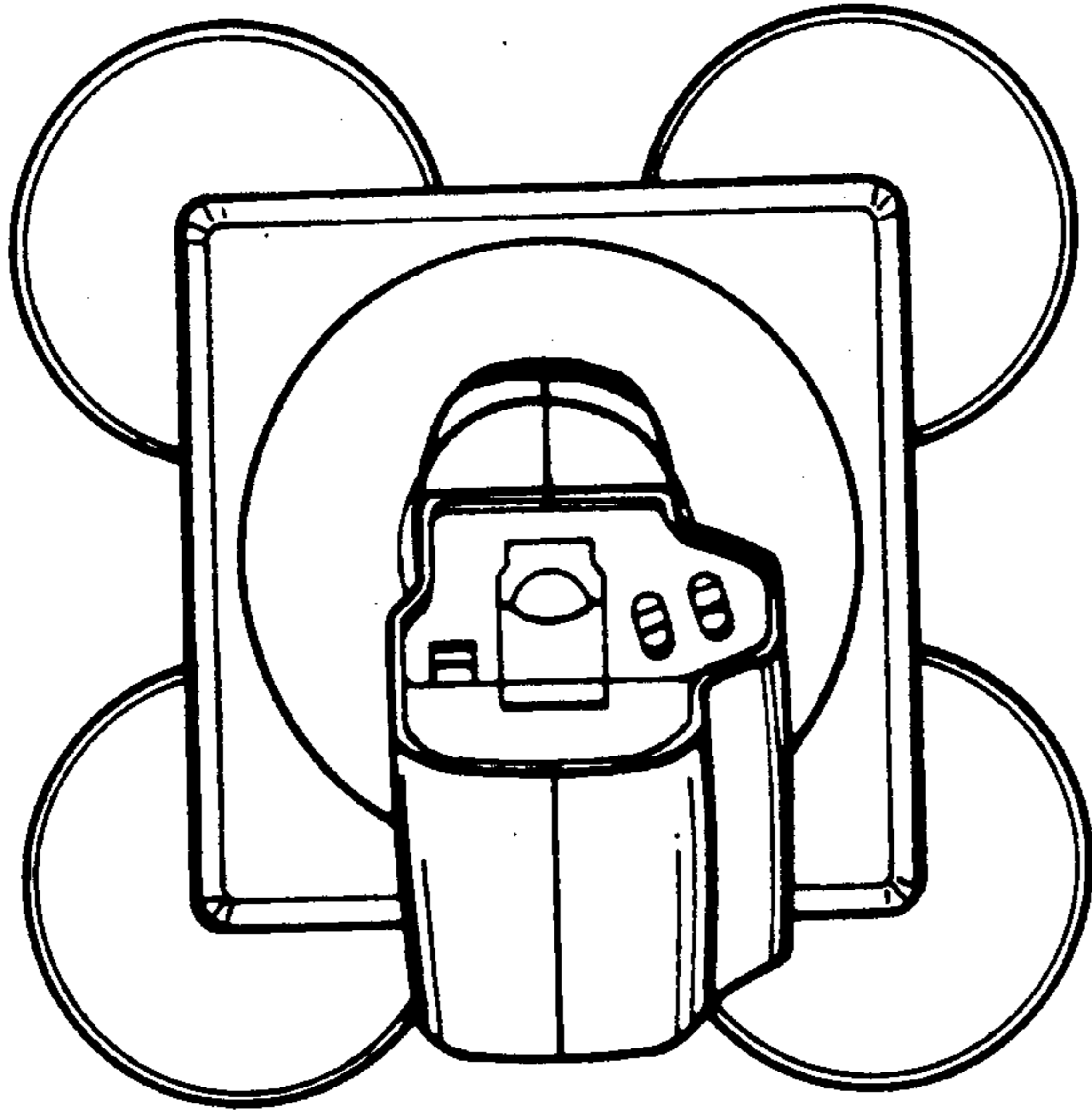


FIG. 5

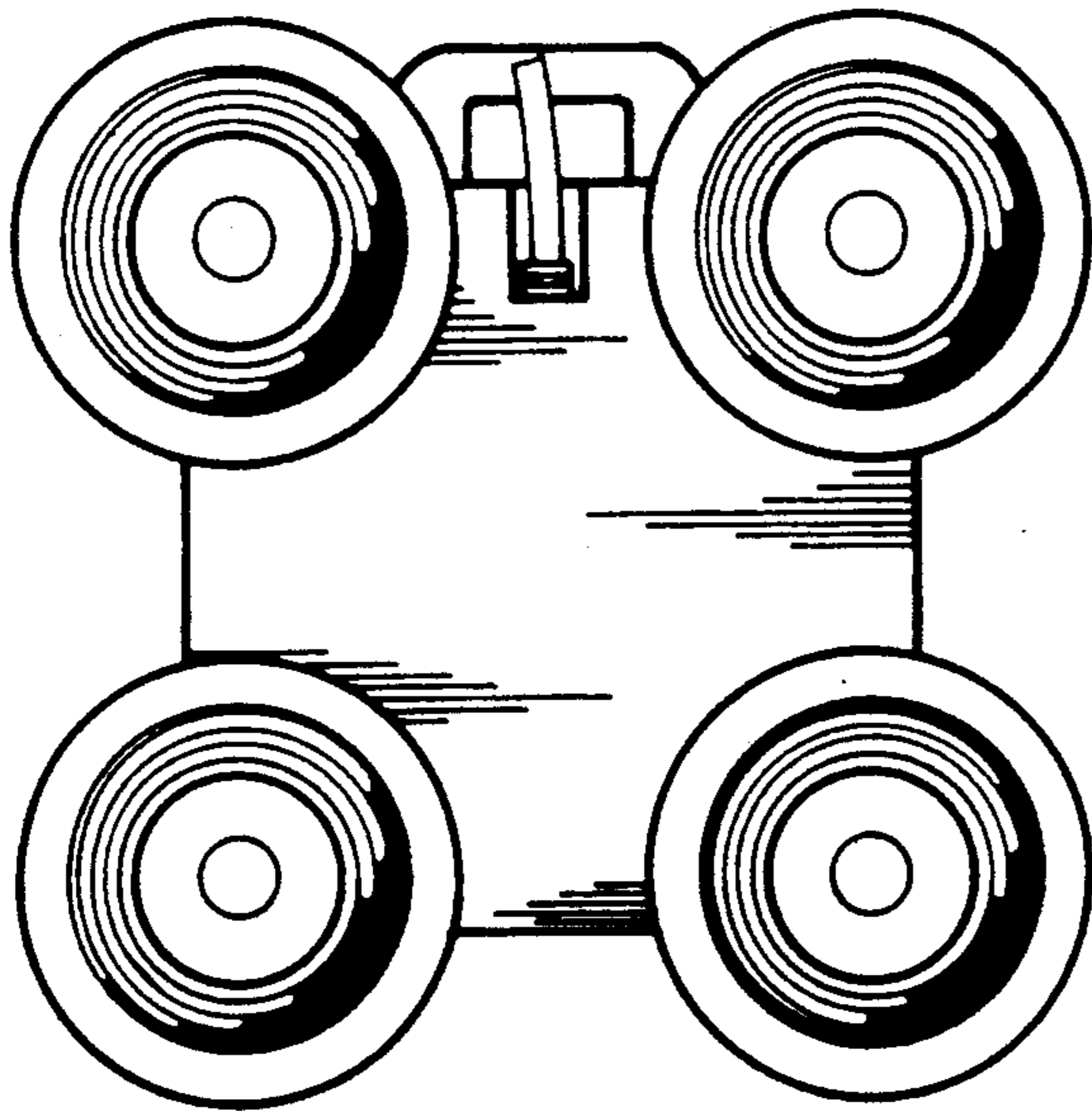


FIG. 6

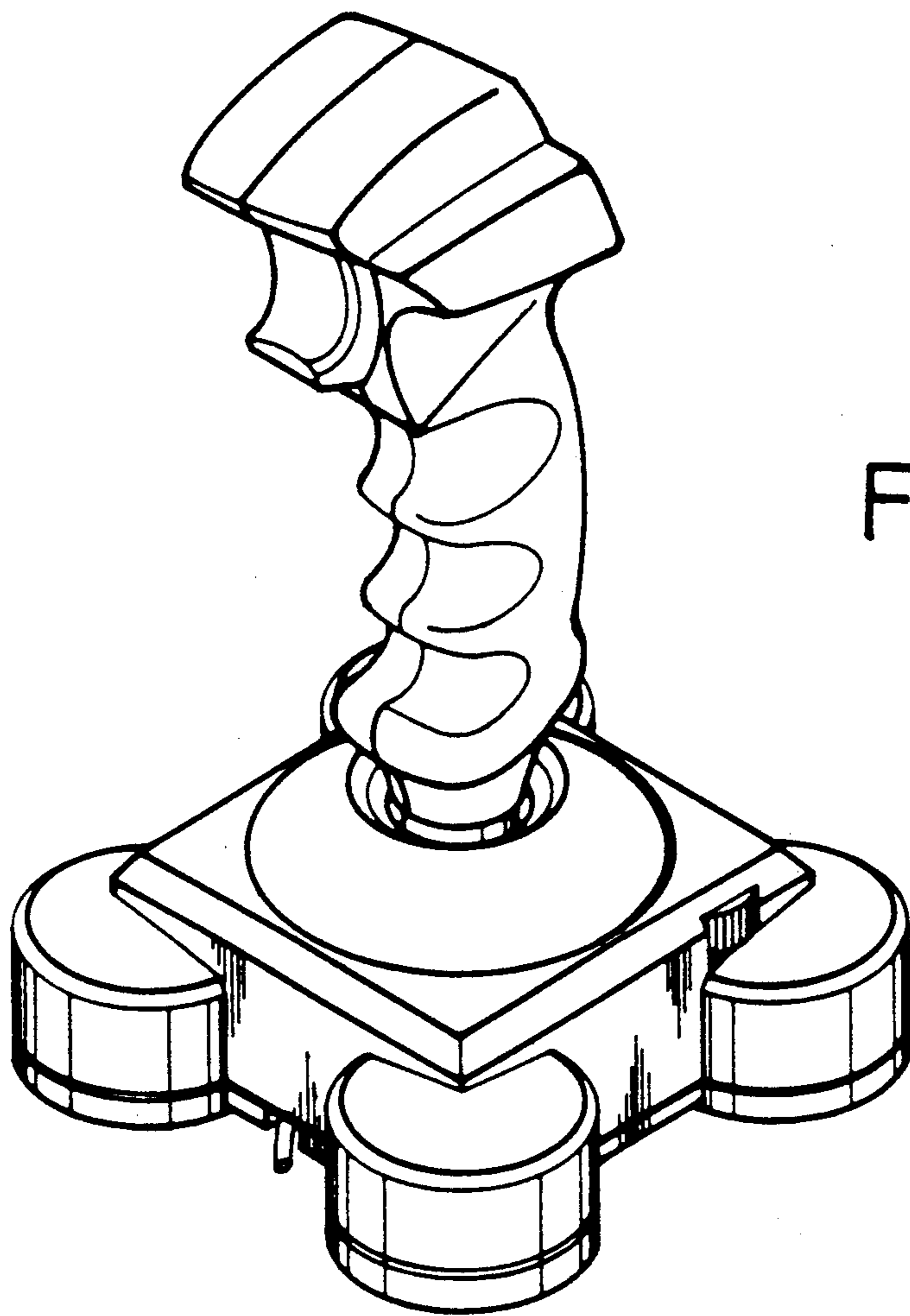


FIG. 7