

[54] INK RIBBON CARTRIDGE

[75] Inventor: Harry C. Quick, Waynesboro, Va.

[73] Assignee: Genicom Corporation, Waynesboro, Va.

[**] Term: 14 Years

[21] Appl. No.: 183,173

[22] Filed: Apr. 19, 1988

[52] U.S. Cl. D18/12

[58] Field of Search D18/12, 22, 99;
400/194, 195, 196, 196.1, 207, 208

[56] References Cited

U.S. PATENT DOCUMENTS

D. 267,567	1/1983	Mori	D18/12
D. 284,389	6/1986	Sherick	D18/12
4,388,006	6/1983	Waibel	400/195

Primary Examiner—Nelson C. Holtje
Assistant Examiner—Caron D. Veynar
Attorney, Agent, or Firm—Nixon & Vanderhye

[57] CLAIM

The ornamental design for an ink ribbon cartridge, as shown and described.

DESCRIPTION

FIG. 1 is a bottom, rear and left side perspective view of an ink ribbon cartridge showing my new design;
FIG. 2 is a top, front and left side perspective view thereof;
FIG. 3 is a rear elevational view thereof;
FIG. 4 is a top plan view thereof;
FIG. 5 is a bottom plan view thereof;
FIG. 6 is a front elevational view thereof;
FIG. 7 is a right side elevational view thereof;
FIG. 8 is a left side elevational view thereof;
FIG. 9 is a bottom, rear and left side perspective view of a second embodiment of FIG. 1;
FIG. 10 is a top, front and left side perspective view thereof;
FIG. 11 is a rear elevational view thereof;
FIG. 12 is a top plan view thereof;
FIG. 13 is a bottom plan view thereof;
FIG. 14 is a front elevational view thereof;
FIG. 15 is a right side elevational view thereof;
FIG. 16 is a left side elevational view thereof.
The broken line showings of a ribbon and various knobs and projections on FIGS. 1-16 are environmental only and form no part of the claimed design.

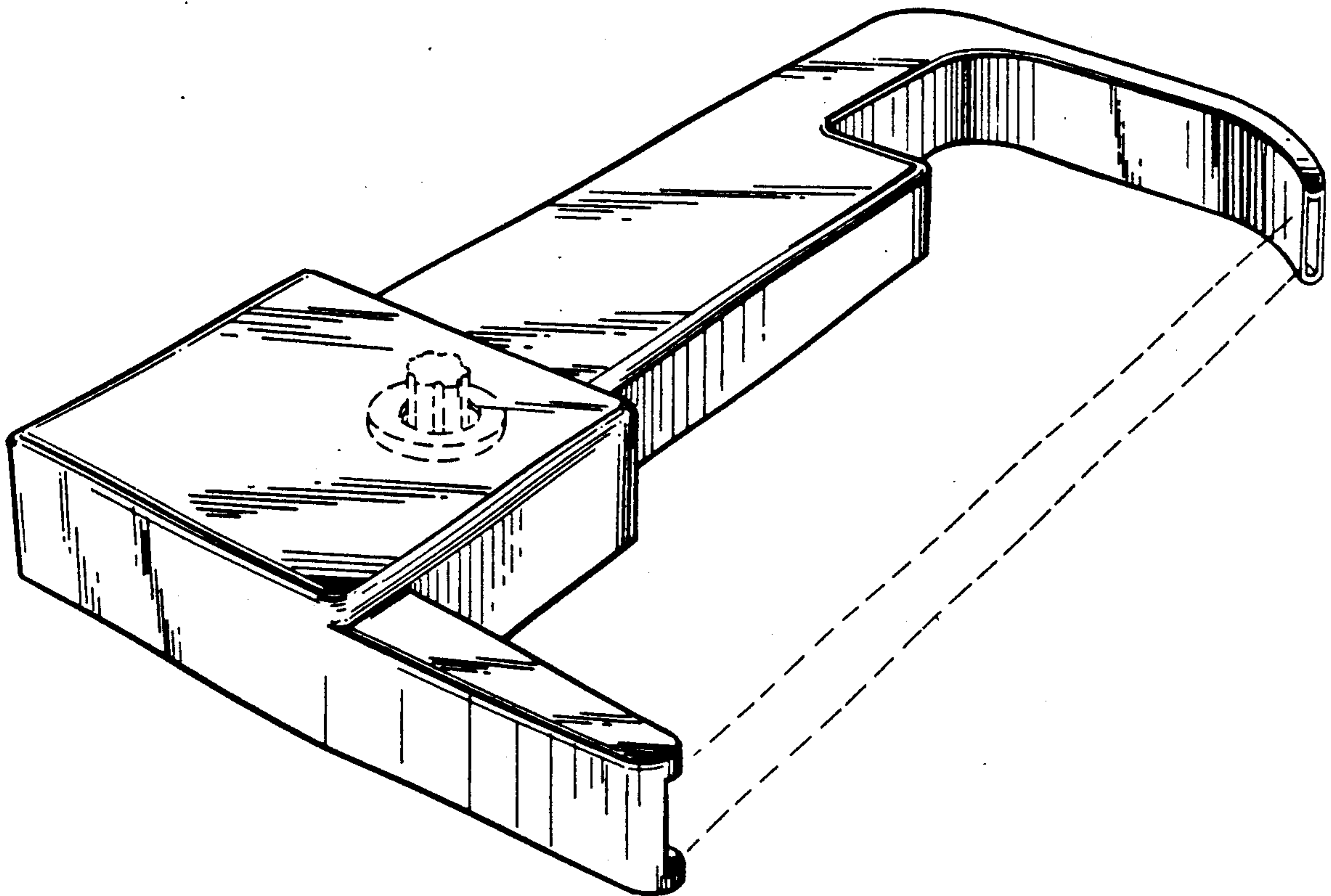


FIG. 1

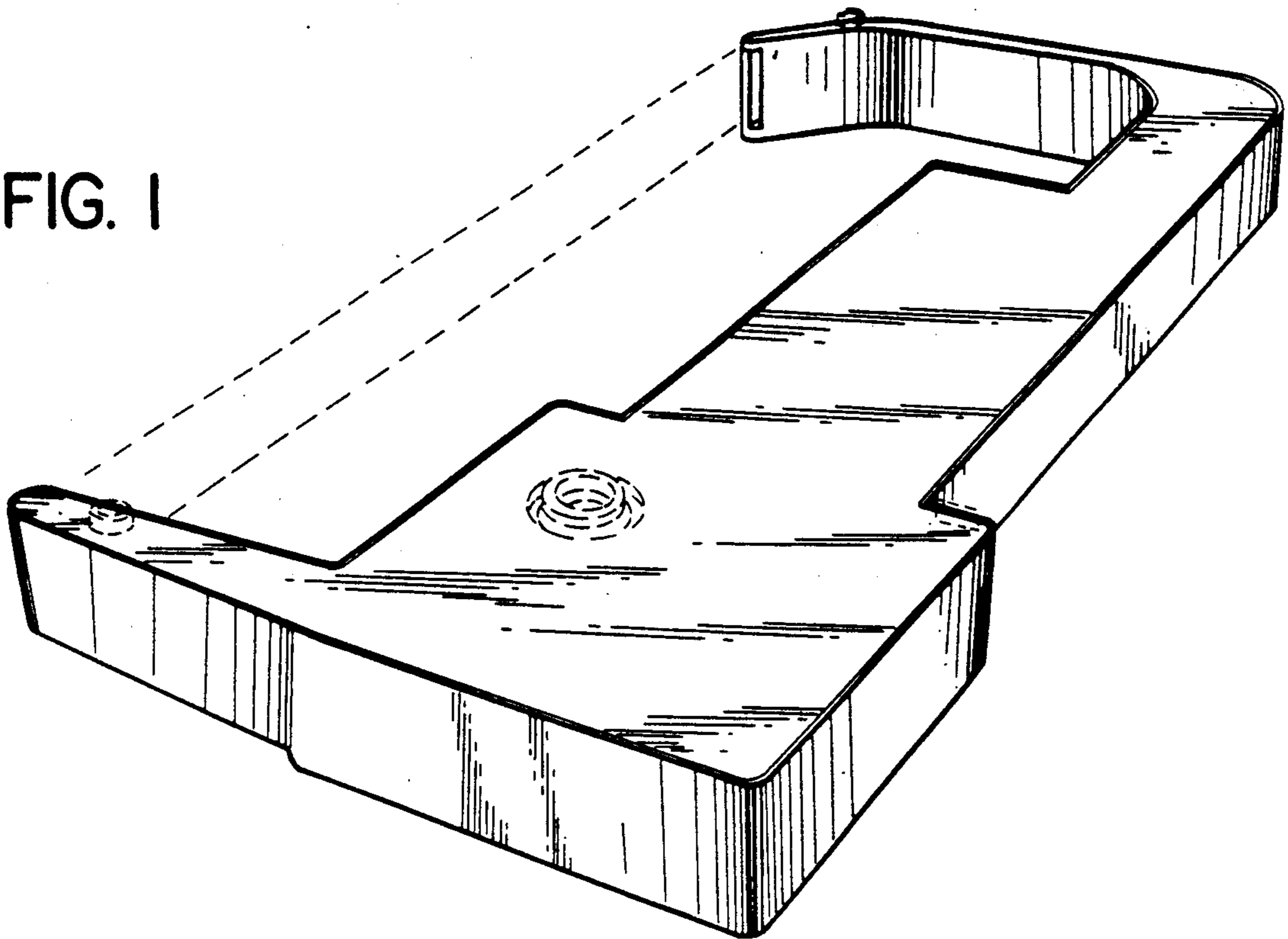
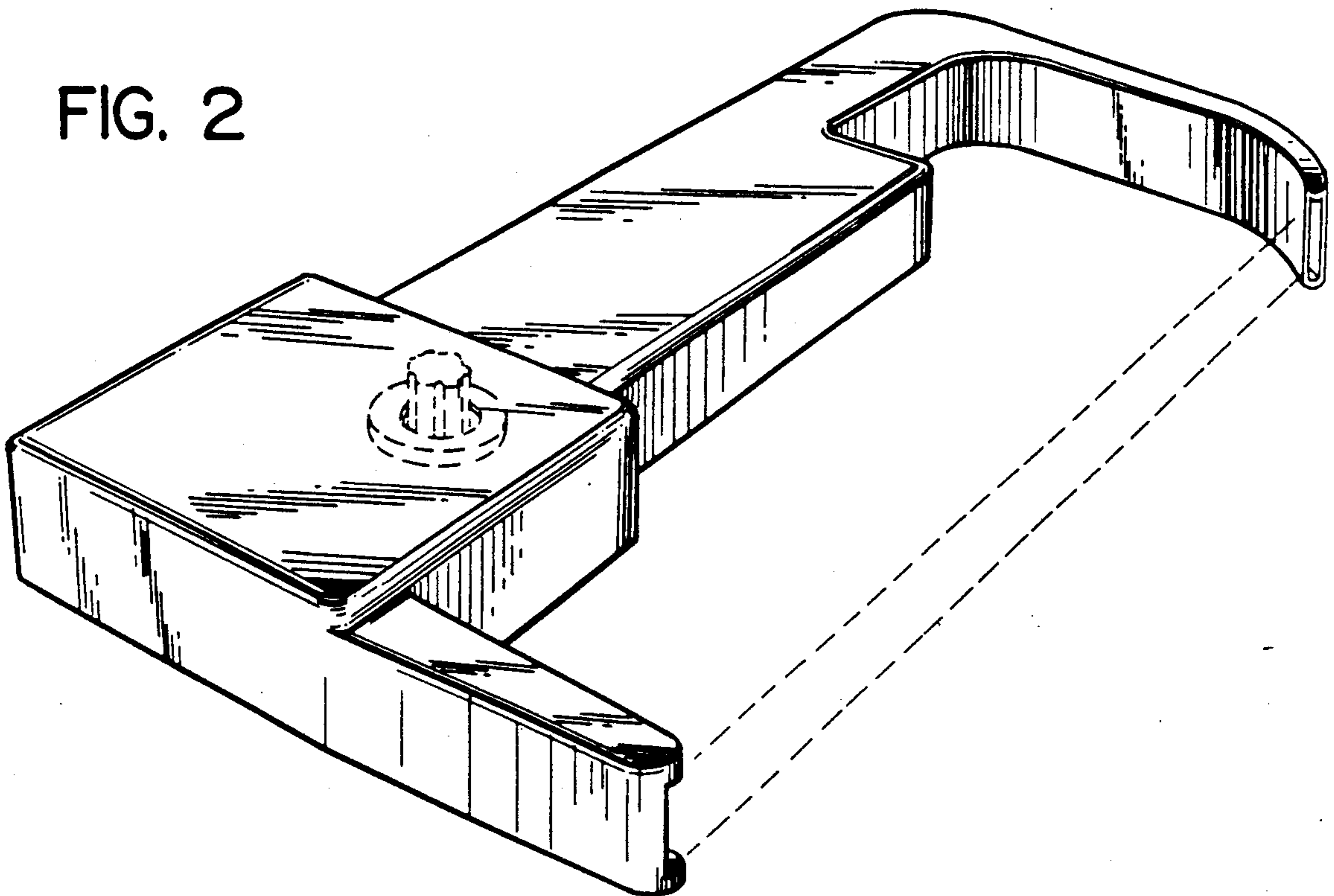


FIG. 2



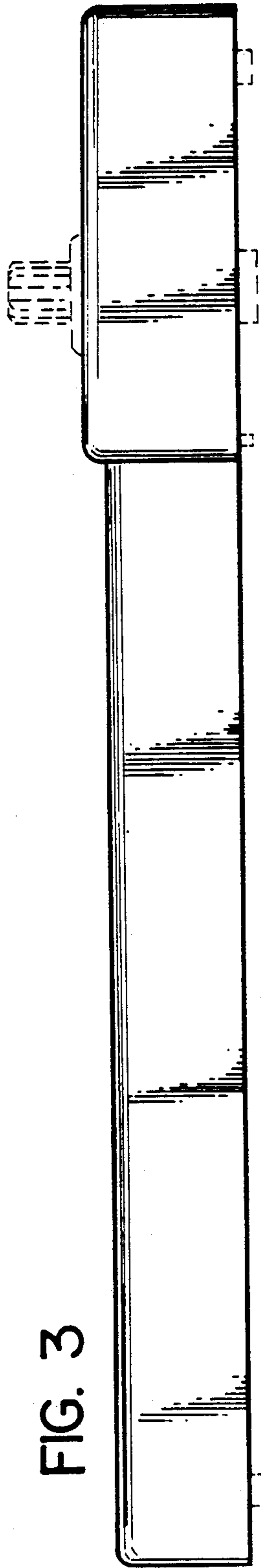


FIG. 3

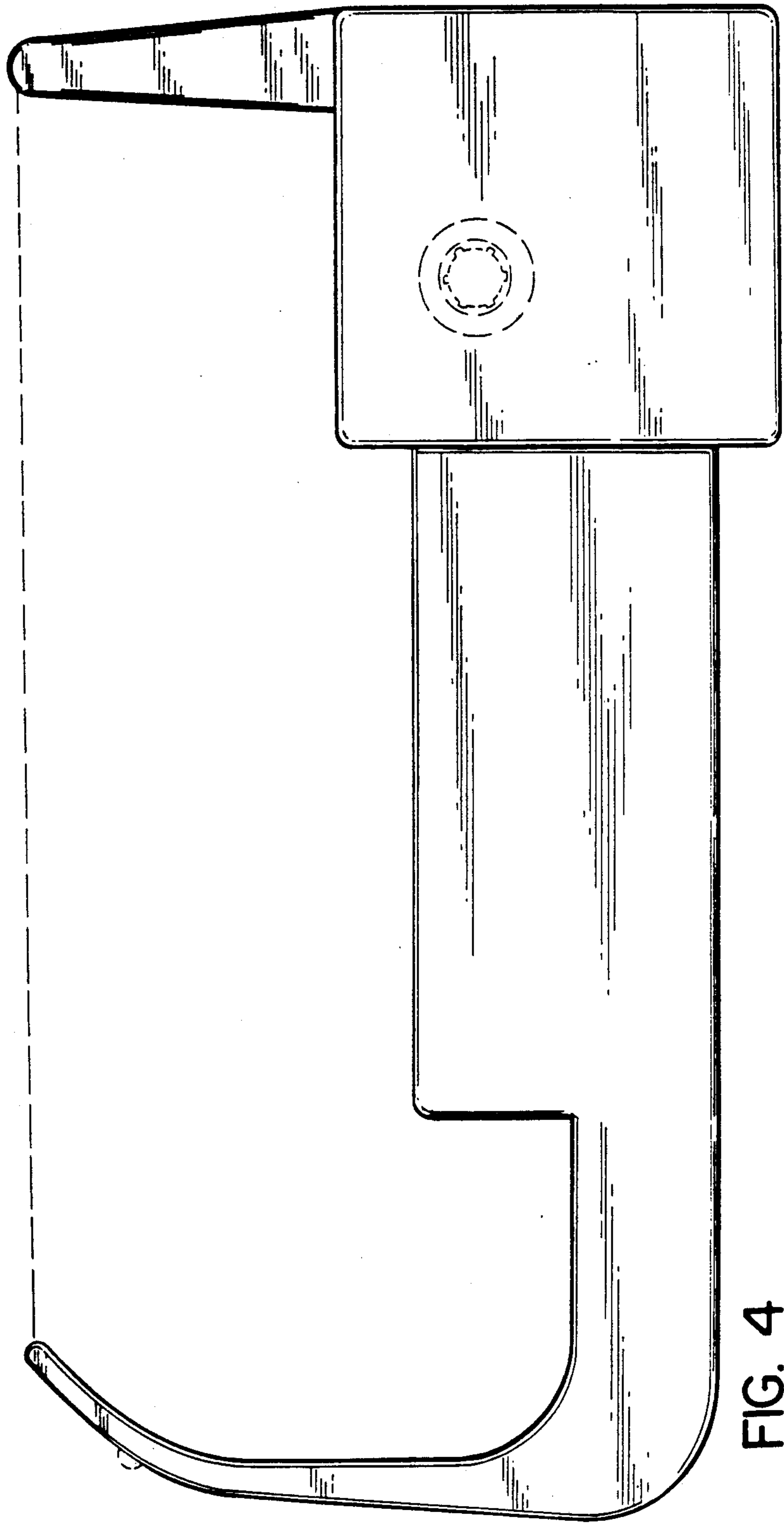


FIG. 4

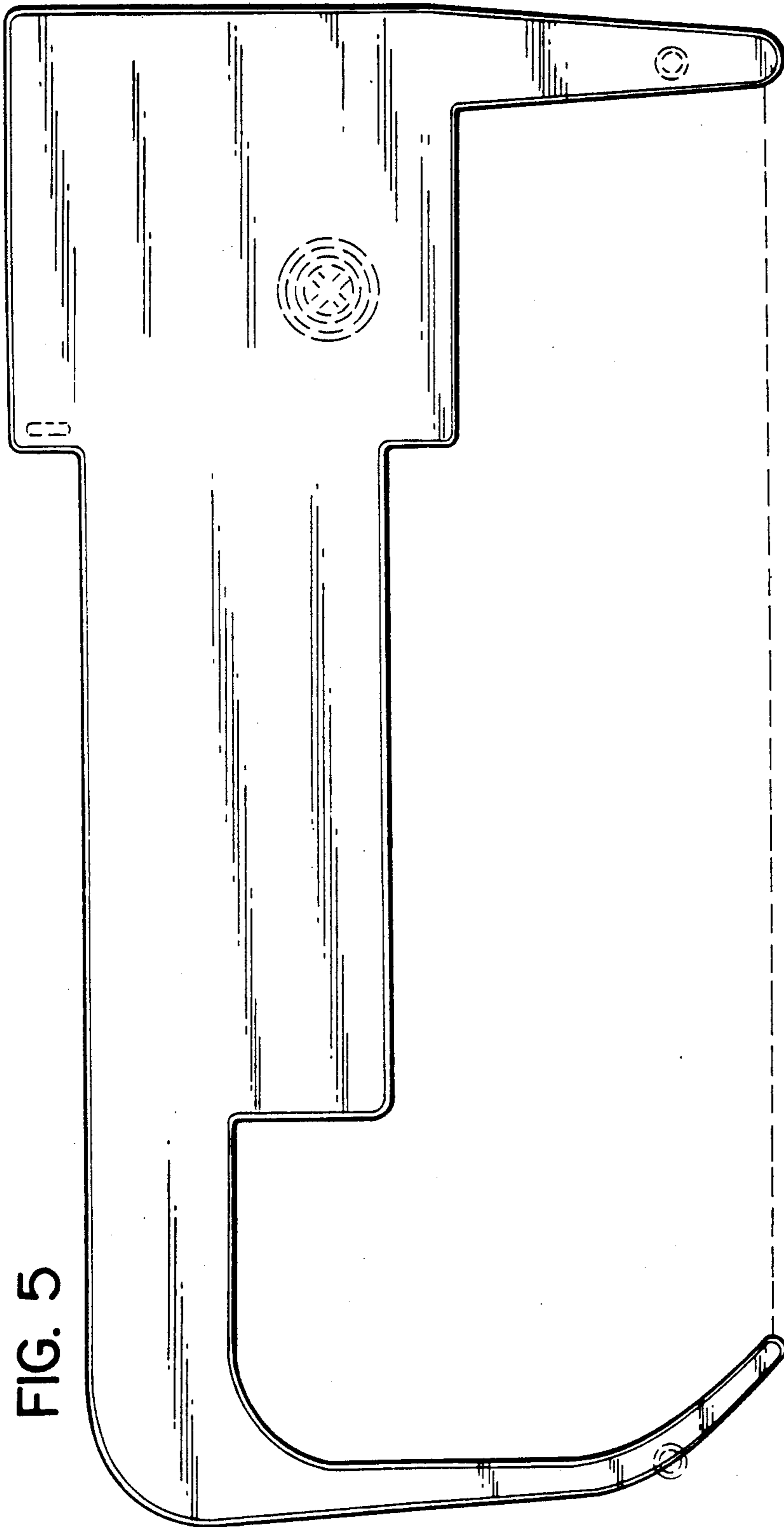


FIG. 5

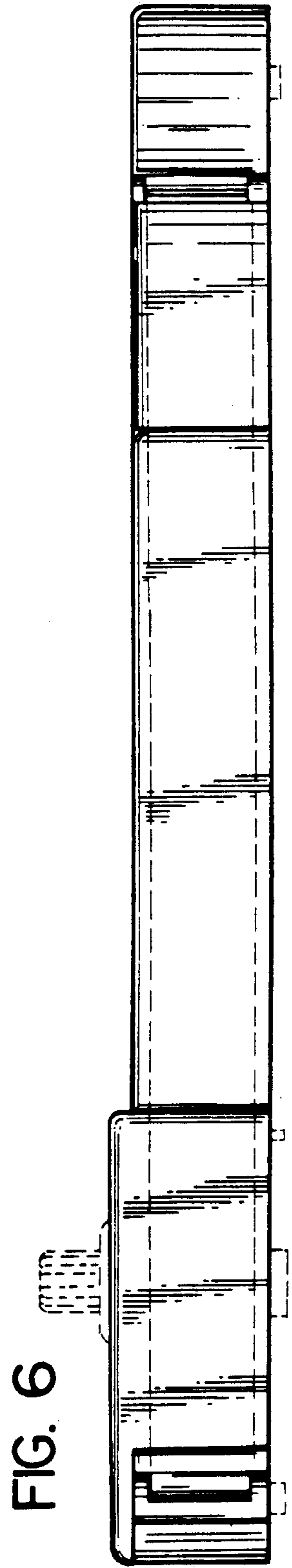


FIG. 6

FIG. 7

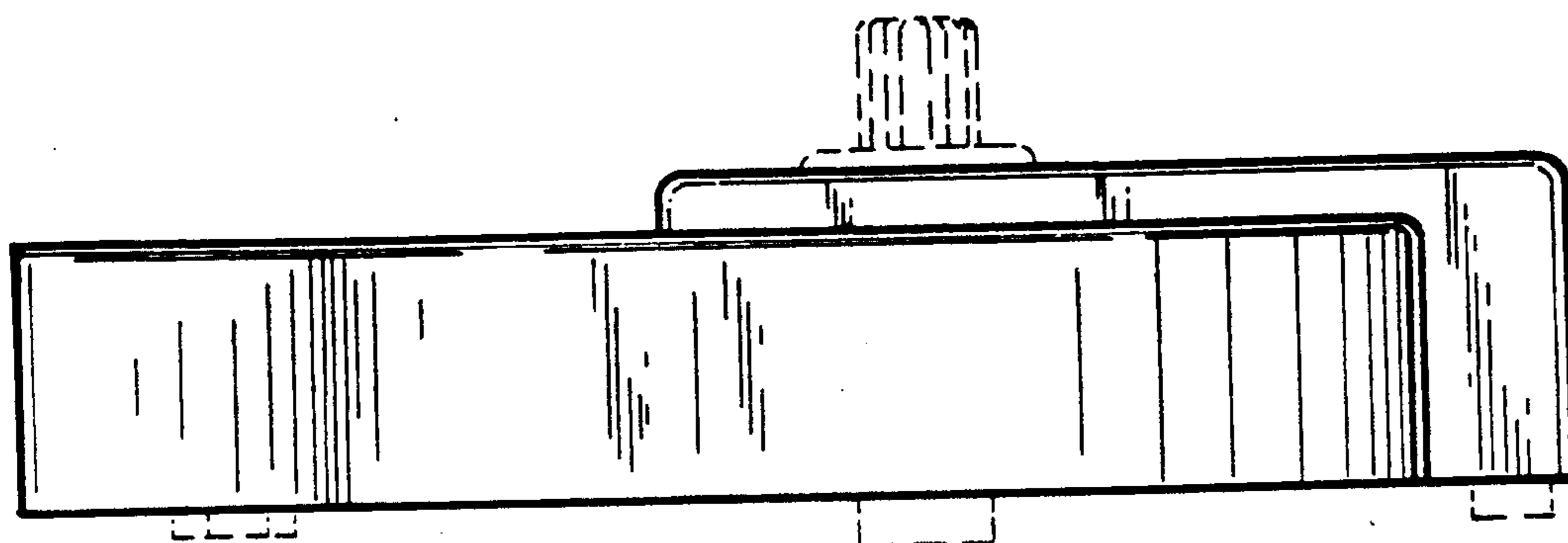


FIG. 8

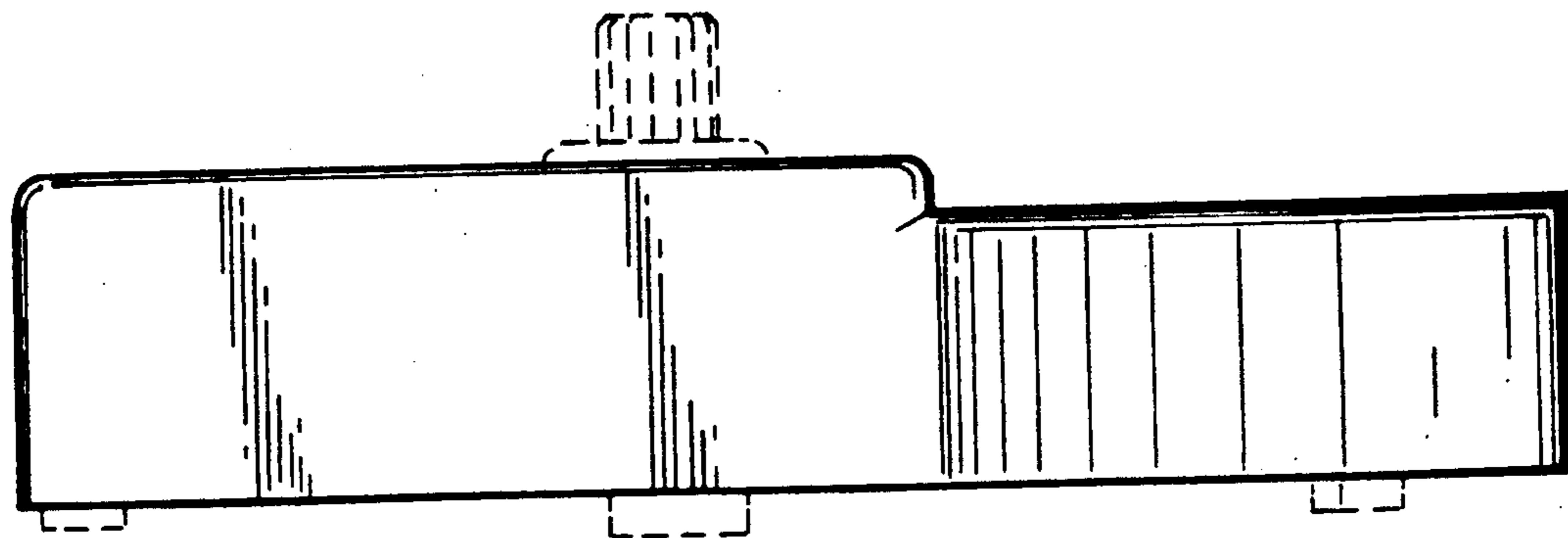


FIG. 9

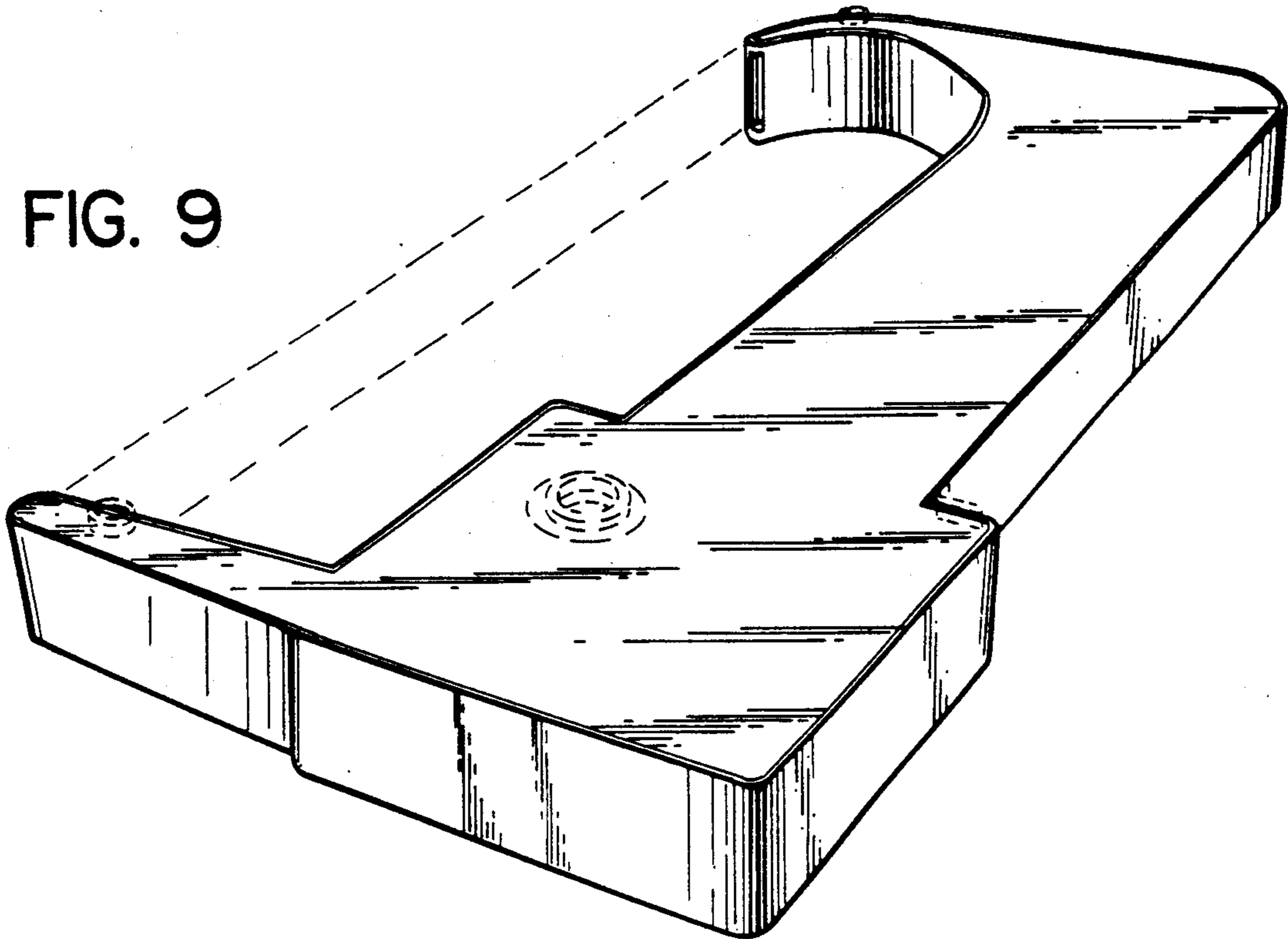
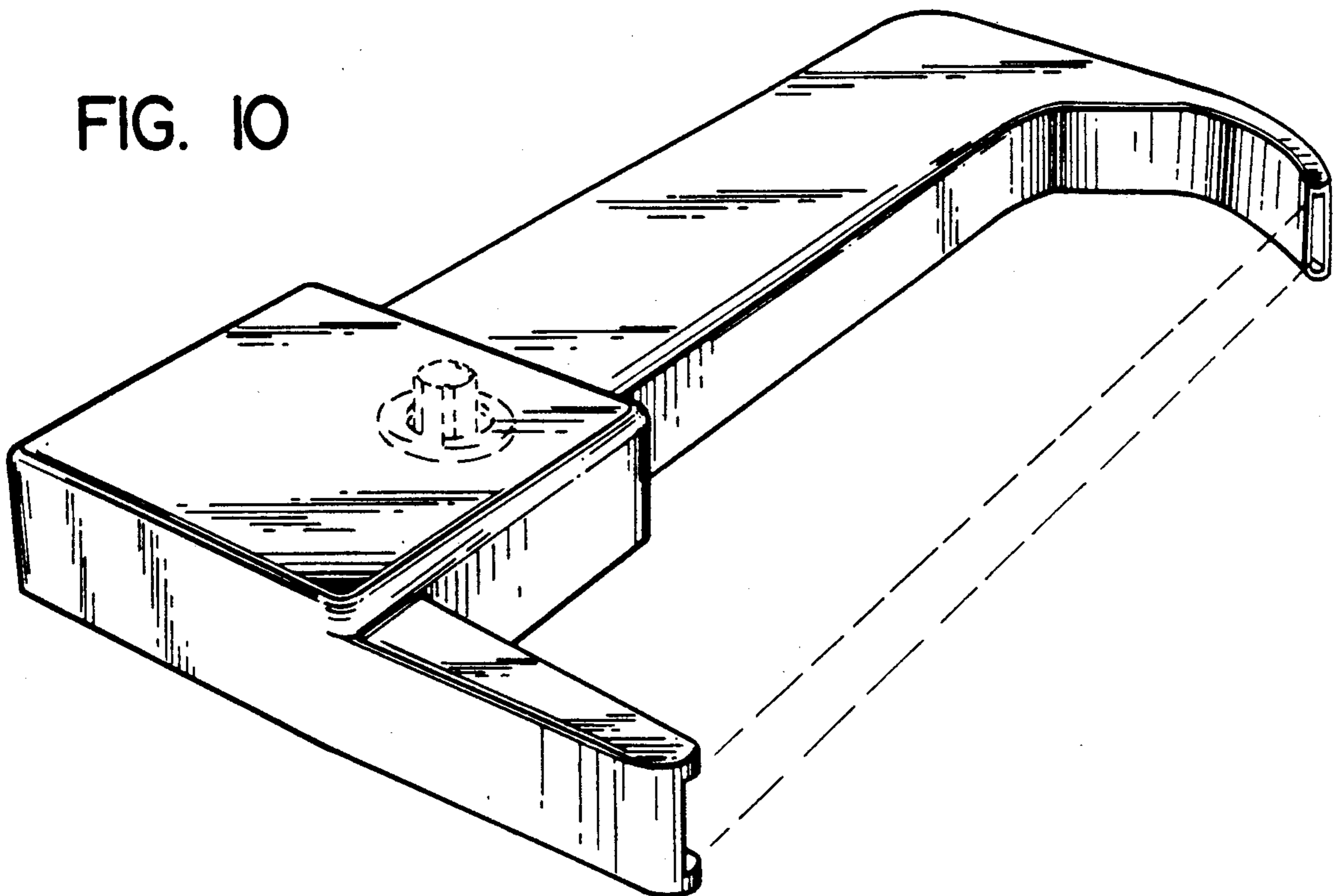


FIG. 10



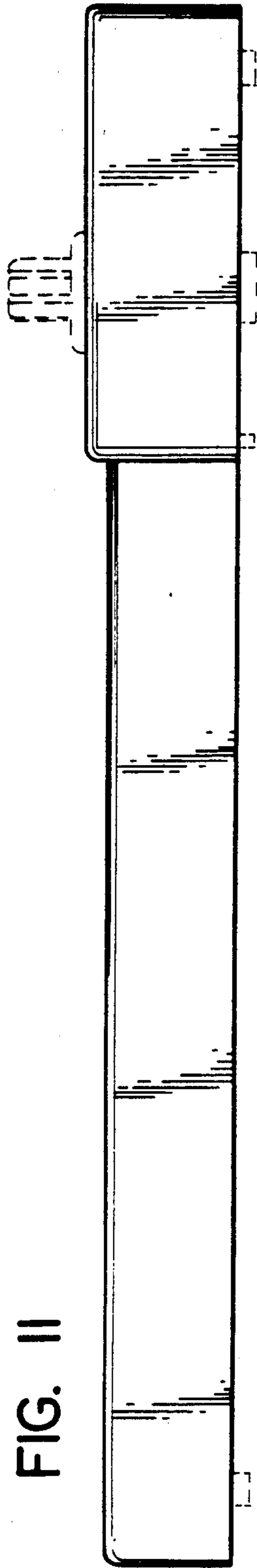


FIG. 11

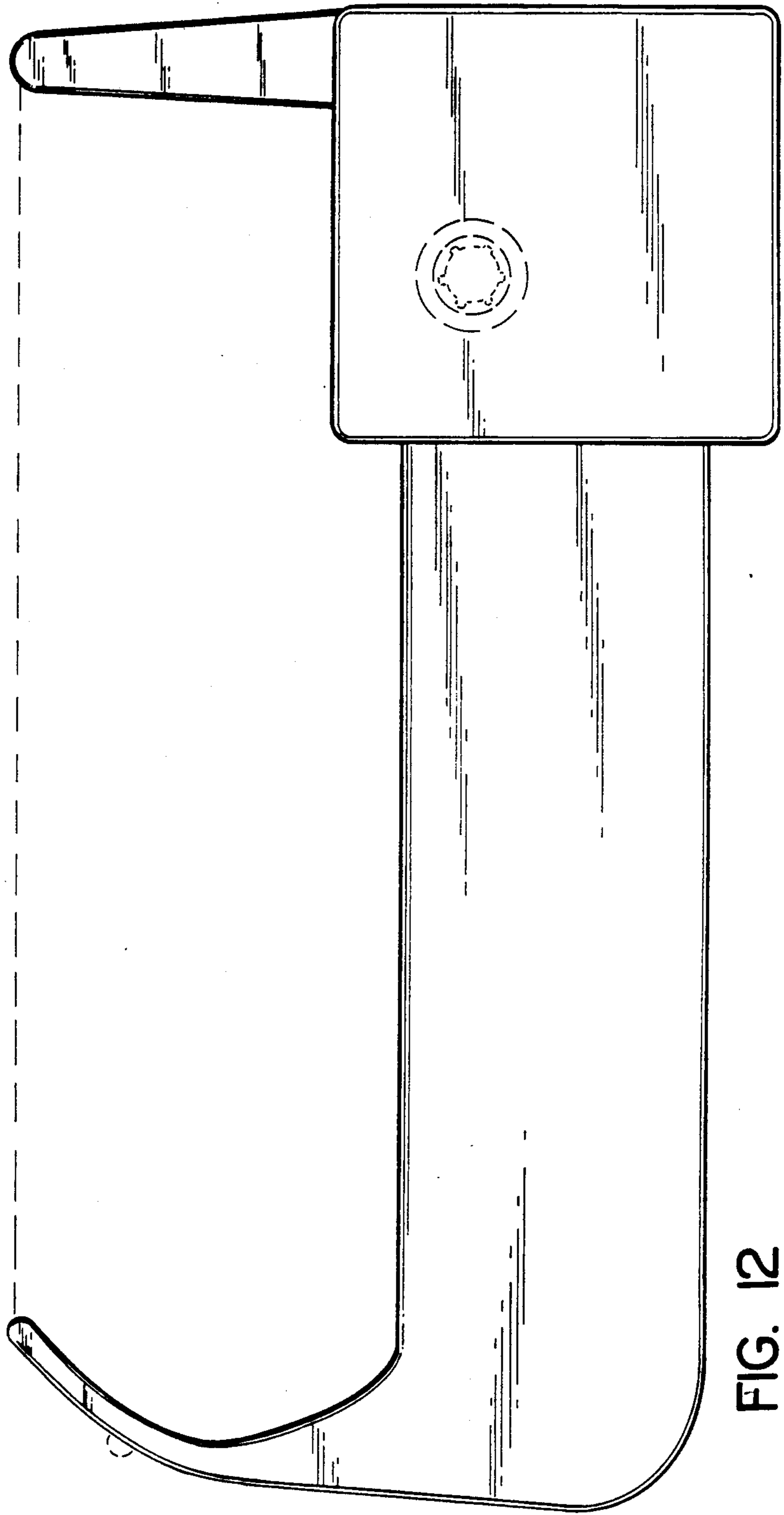


FIG. 12

FIG. 13

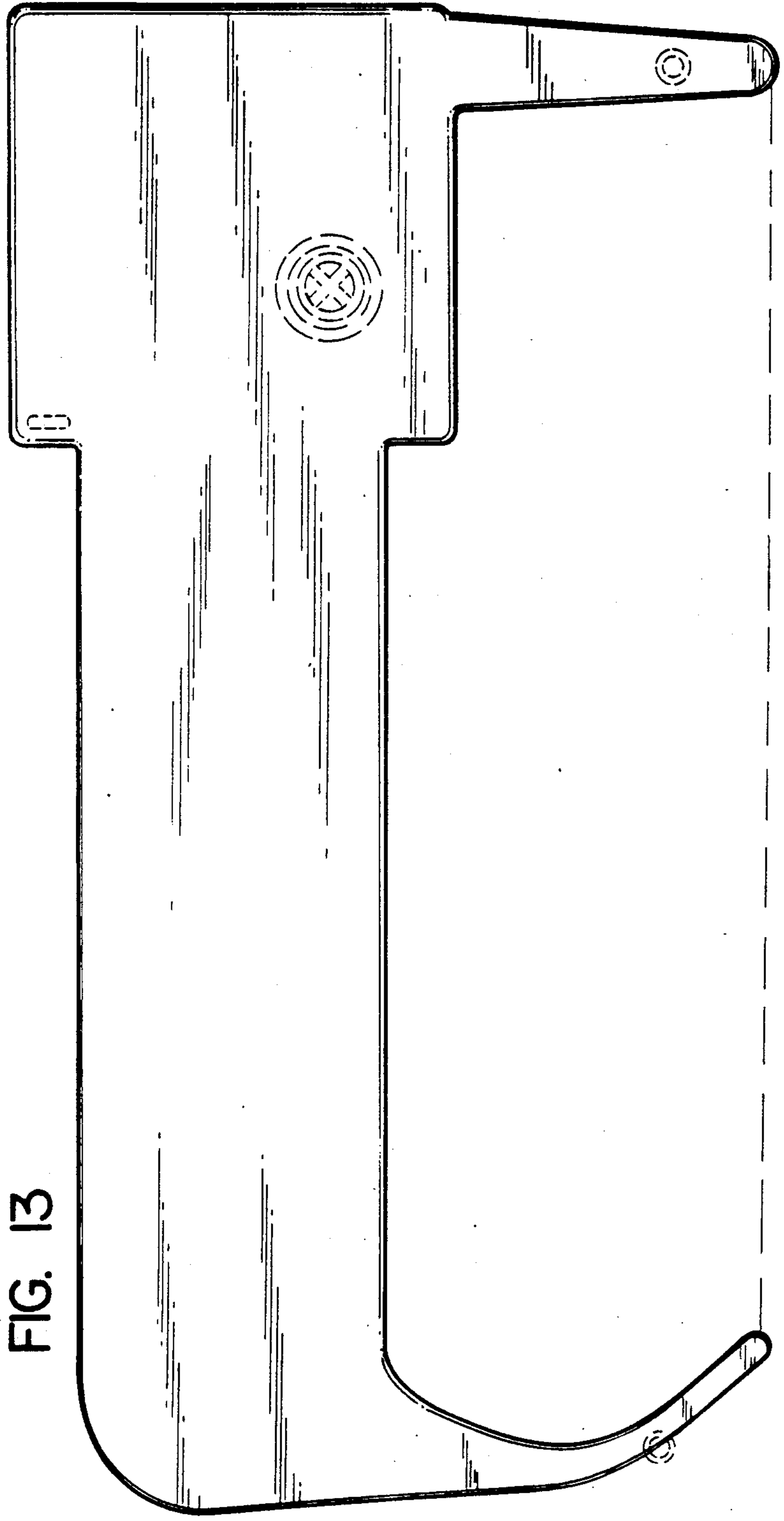


FIG. 14

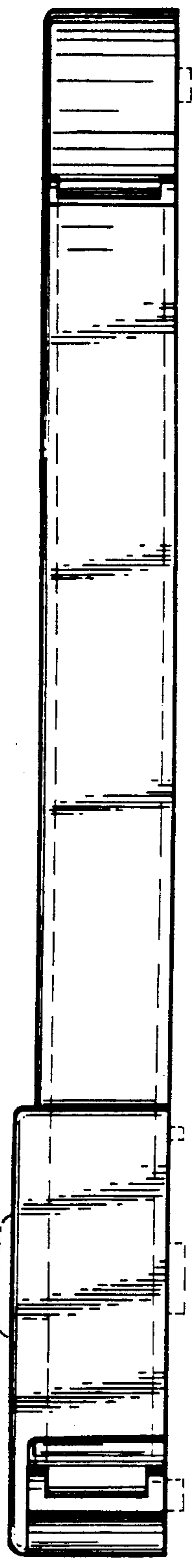


FIG. 15

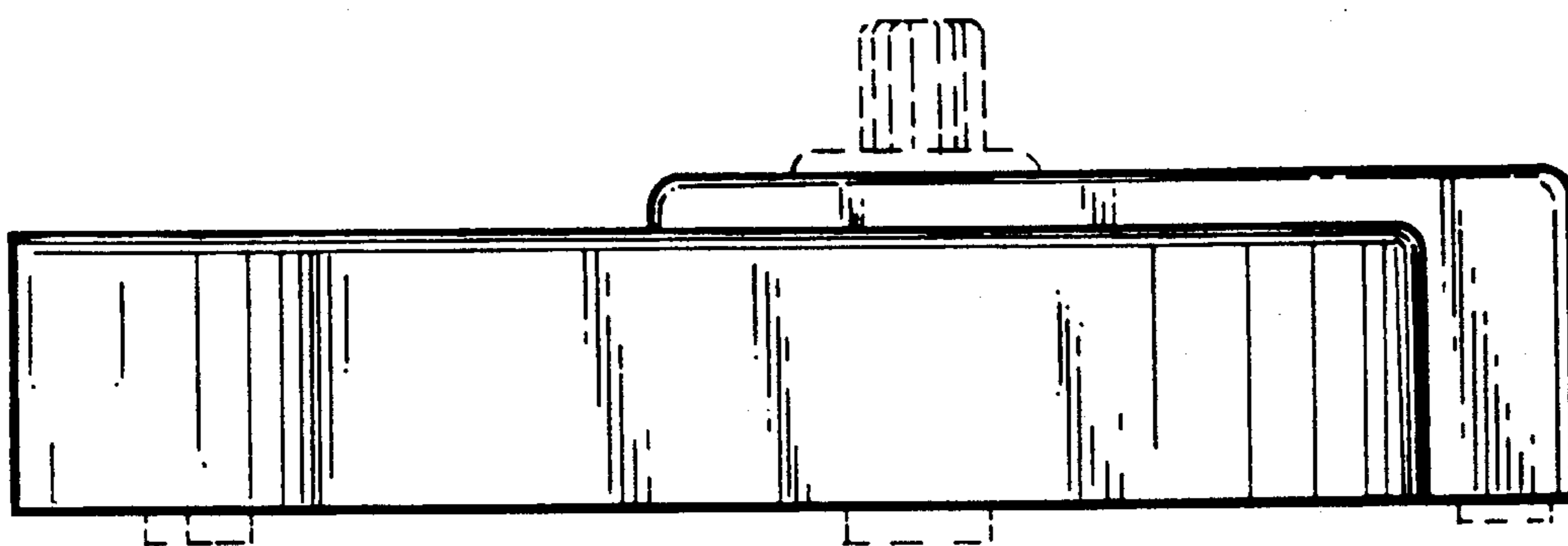


FIG. 16

