

[54] ELECTRONIC STILL CAMERA

4,772,902 9/1988 Inoue et al. 354/82

[75] Inventor: Norito Sugo, Hachioji, Japan

[73] Assignee: Casio Computer Co., Ltd., Tokyo, Japan

[**] Term: 14 Years

[21] Appl. No.: 231,543

[22] Filed: Aug. 11, 1988

[52] U.S. Cl. D16/202; D16/205

[58] Field of Search D16/200-206, D16/212, 213, 216-218; 354/75, 76, 82, 288; 358/229, 906, 909

[56] References Cited

U.S. PATENT DOCUMENTS

| | | | | |
|------------|---------|-----------------|-------|---------|
| D. 215,892 | 11/1969 | Olson | | D16/205 |
| D. 244,931 | 7/1977 | Miller et al. | | D16/205 |
| D. 305,769 | 1/1990 | Swayze | | D16/202 |
| D. 307,209 | 4/1990 | Tominaga et al. | | D16/203 |

OTHER PUBLICATIONS

Modern Photography, Mar. 1987, p. 10 (Casio VS-100).

Primary Examiner—Bernard Ansher
Assistant Examiner—Adir Aronovich
Attorney, Agent, or Firm—Frishauf, Holtz, Goodman & Woodward

[57] CLAIM

The ornamental design for an electronic still camera, as shown.

DESCRIPTION

FIG. 1 is a front elevation view of an electronic still camera showing my new design; FIG. 2 is a top plan view thereof; FIG. 3 is a rear elevation view thereof; FIG. 4 is a bottom plan view thereof; FIG. 5 is a left side elevation view; FIG. 6 is a right side elevation view thereof; and FIG. 7 is a perspective view thereof;

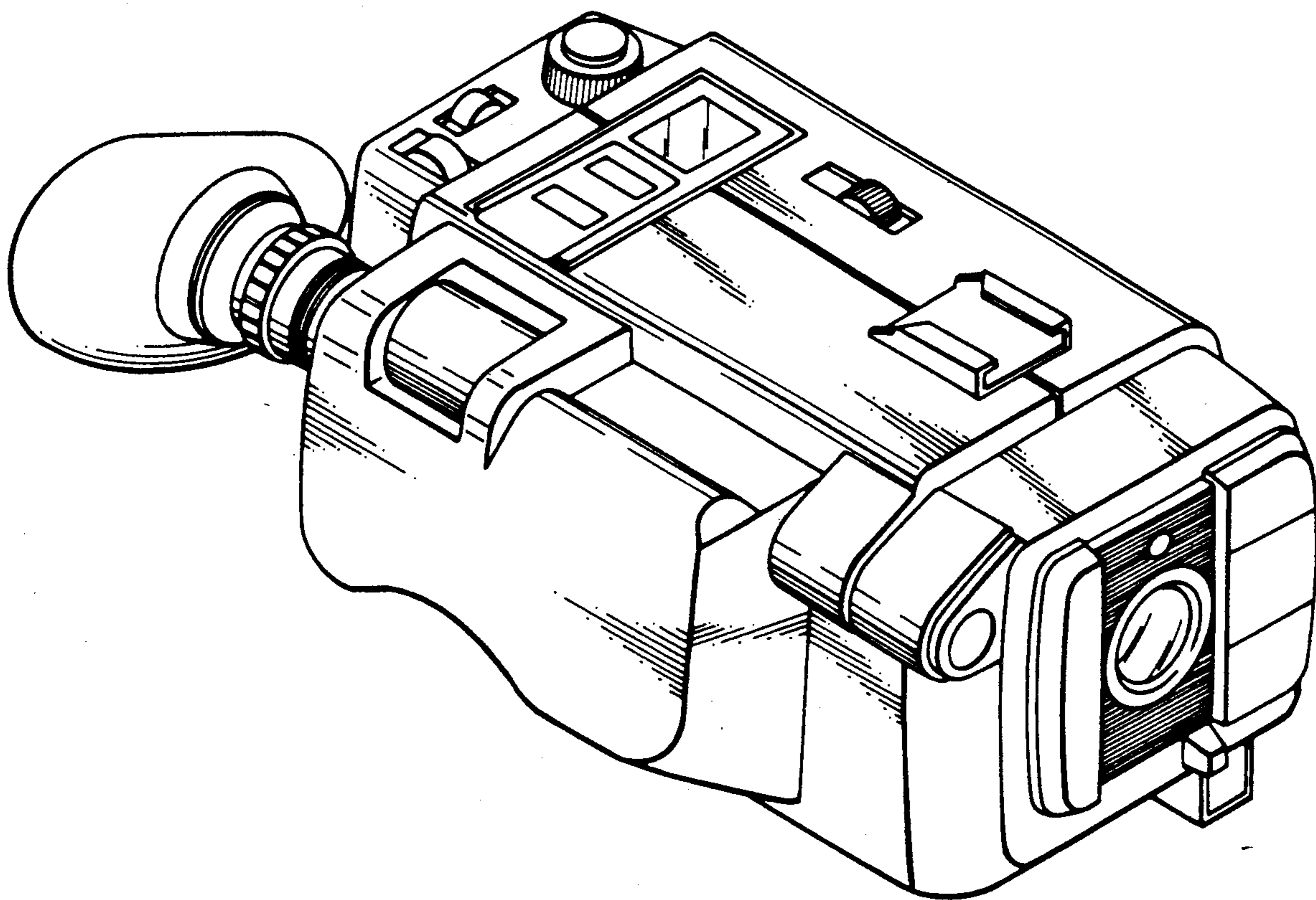


FIG. 1

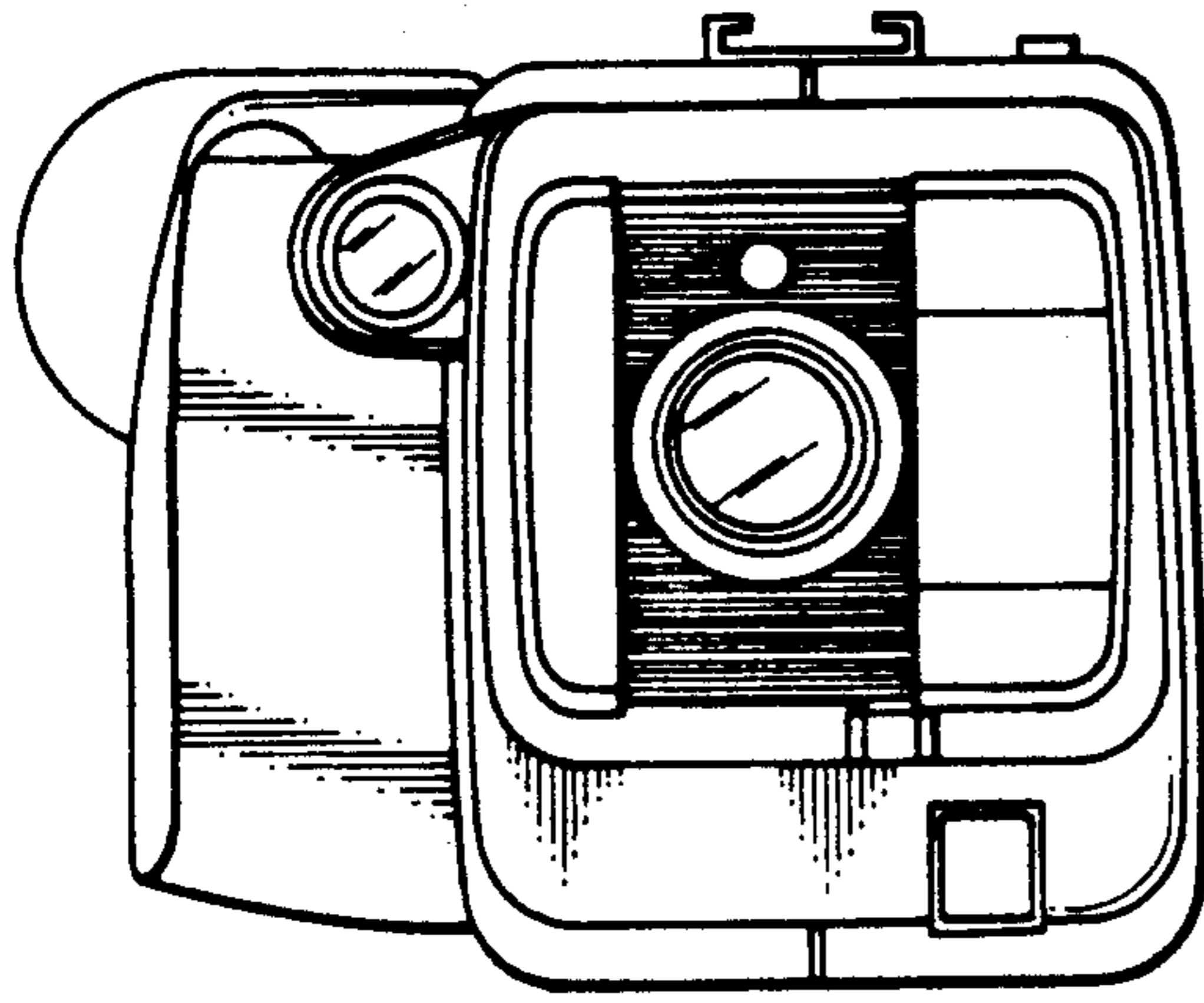


FIG. 3

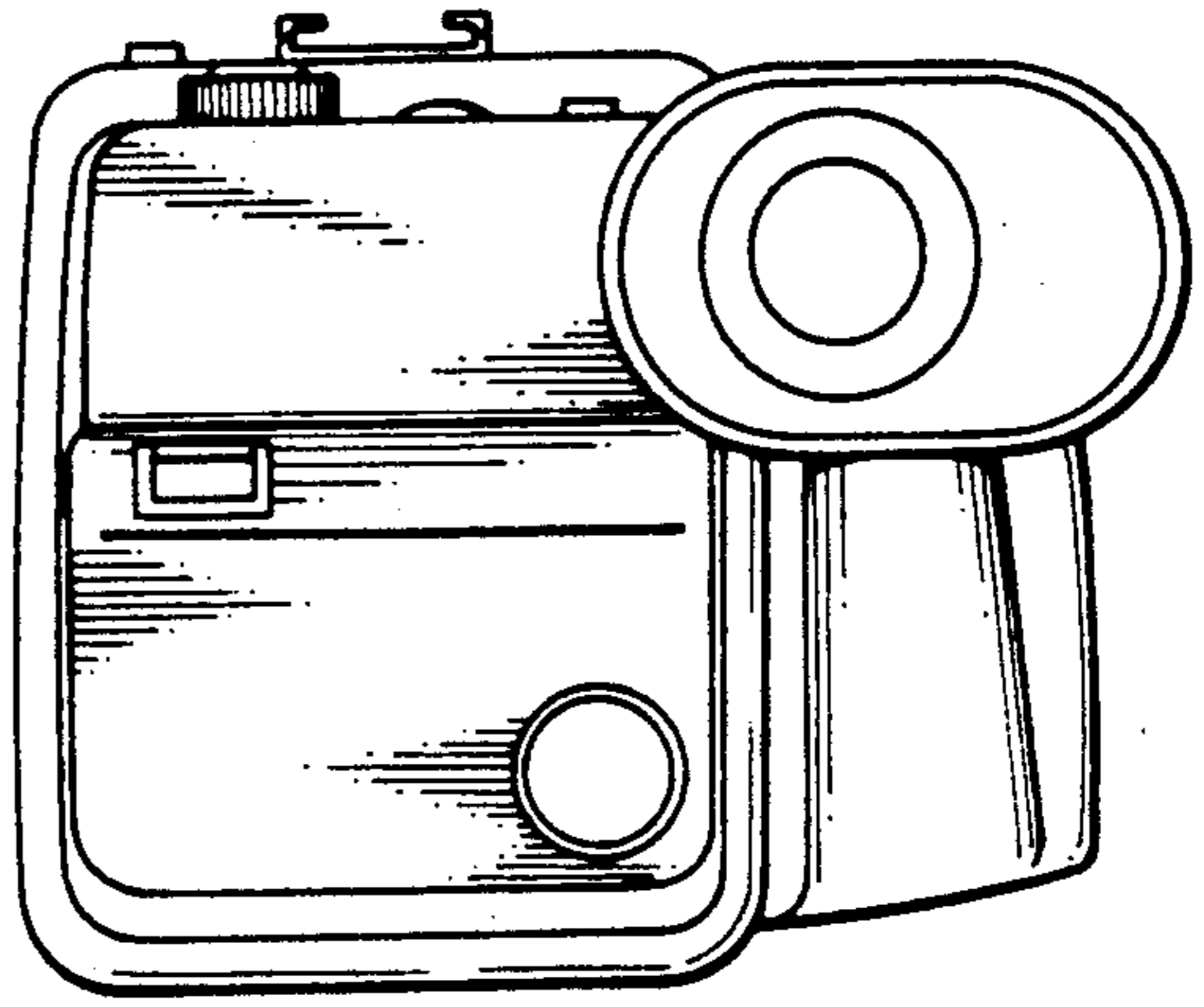


FIG. 2

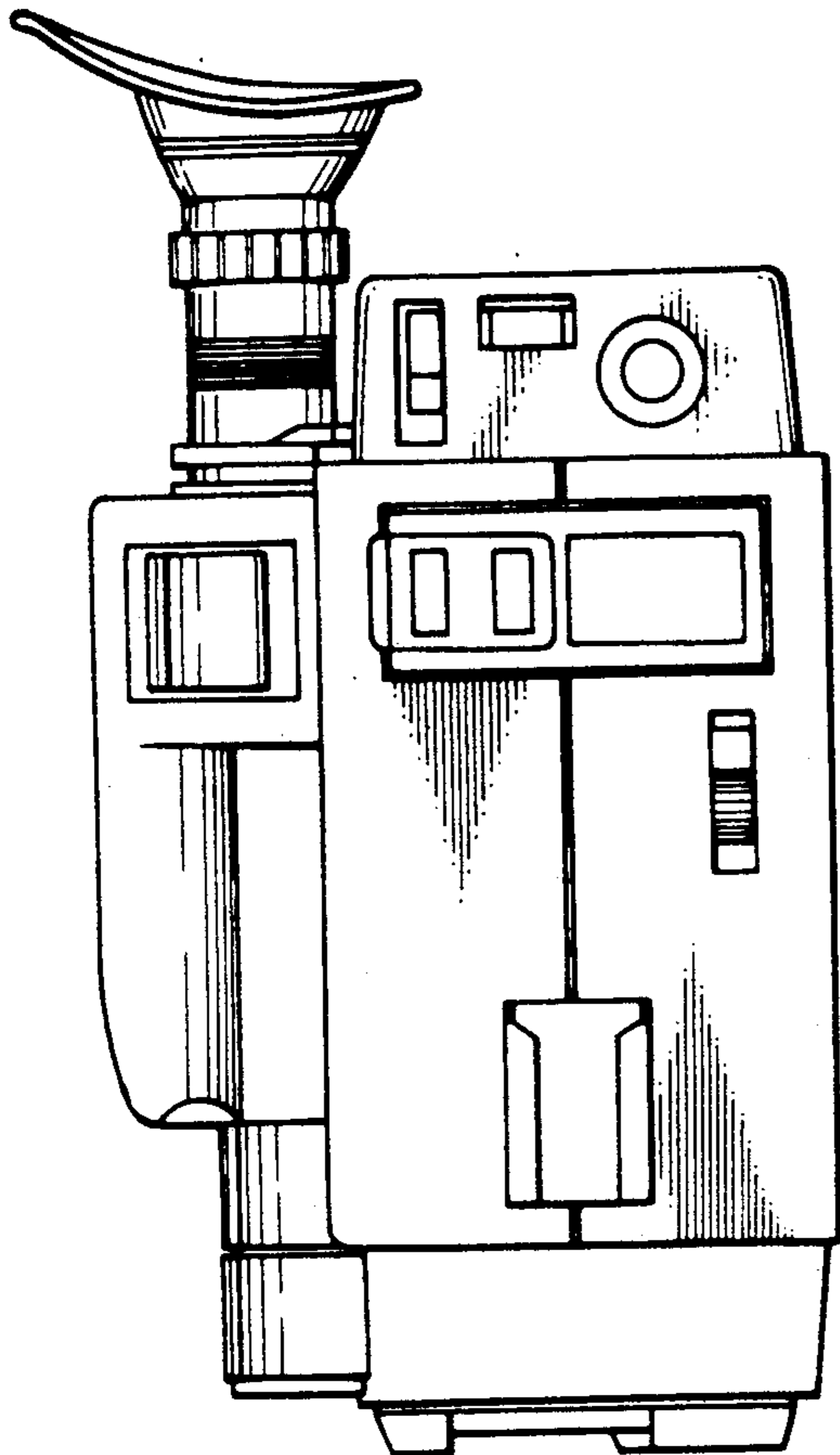


FIG. 4

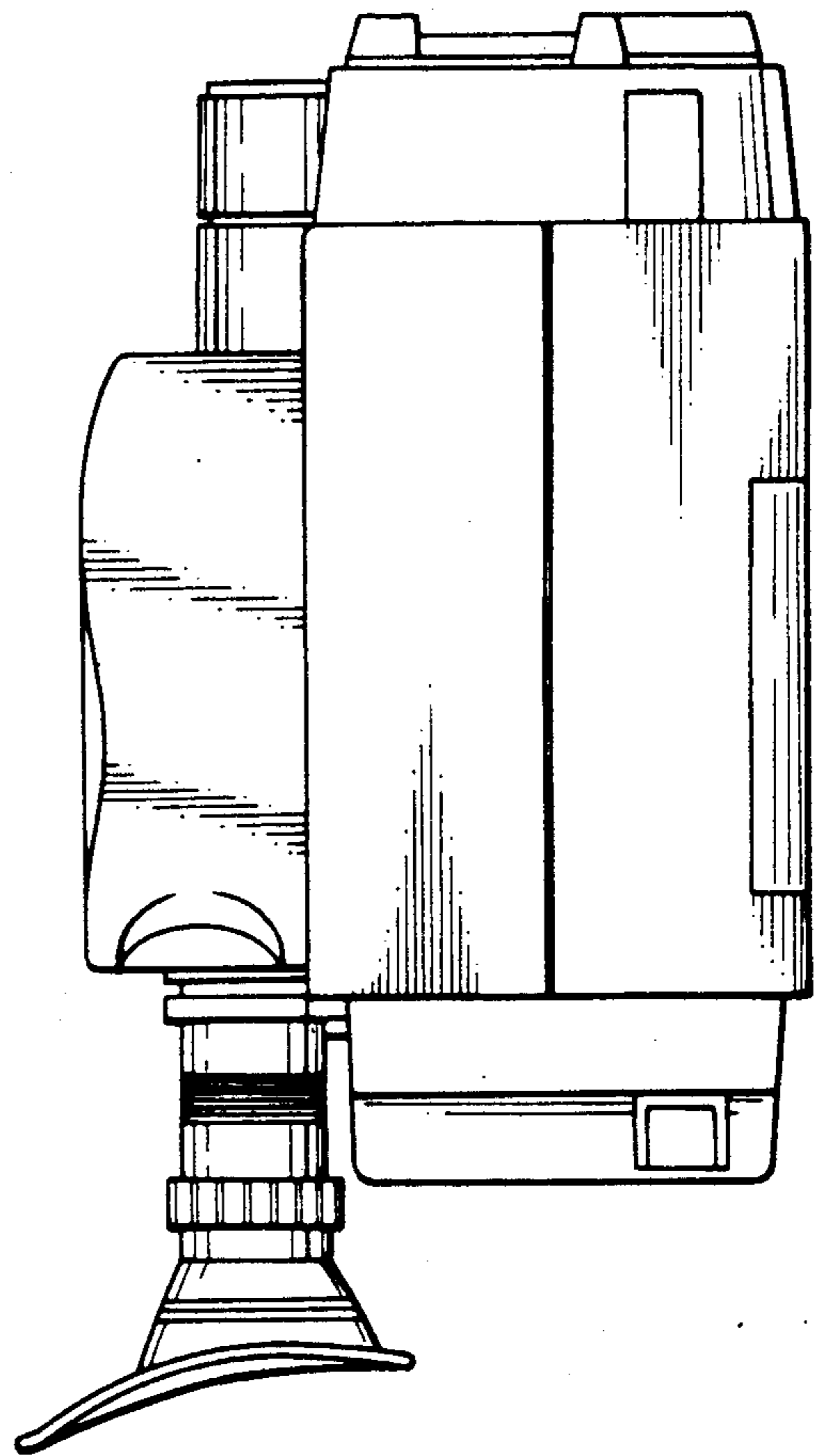


FIG. 5

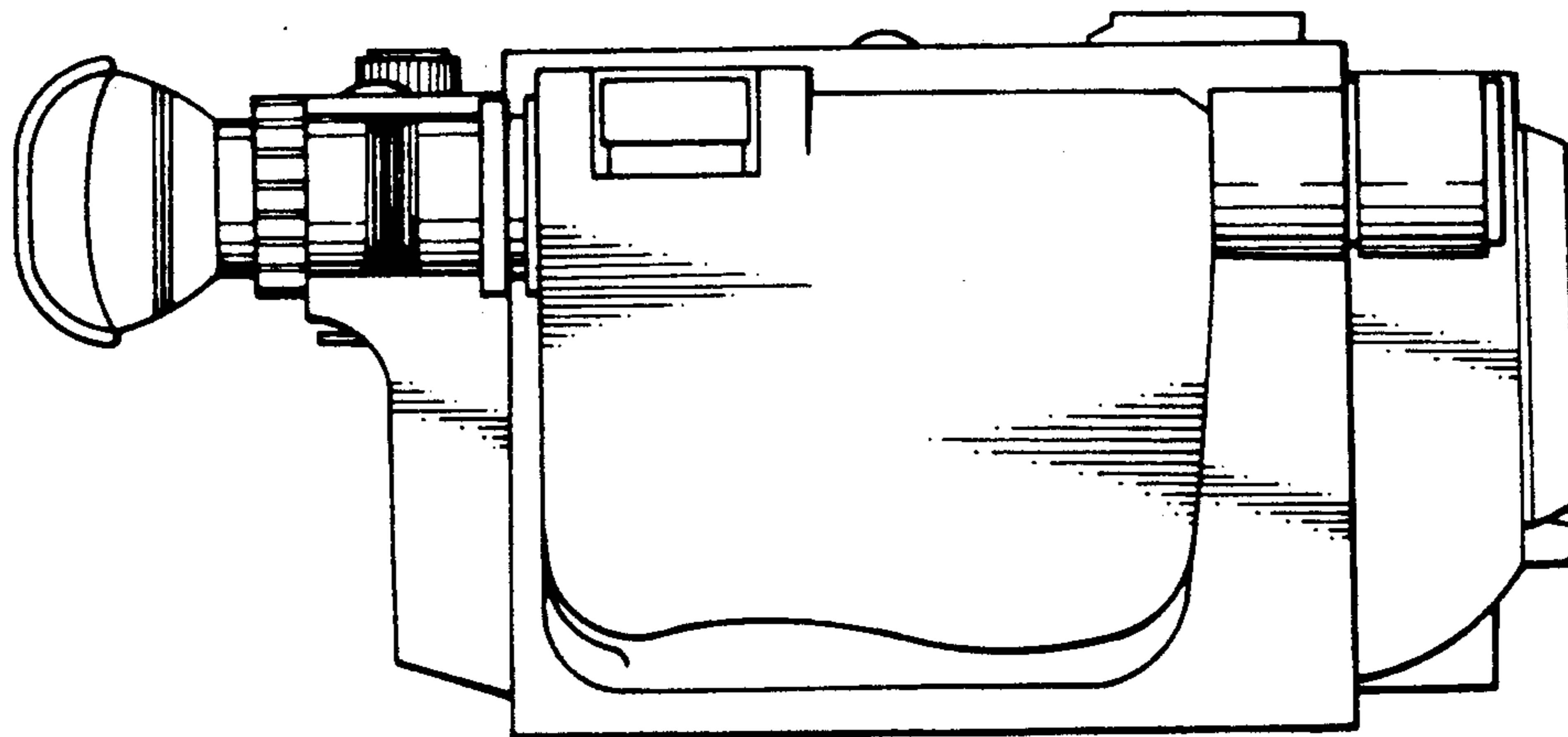


FIG. 6

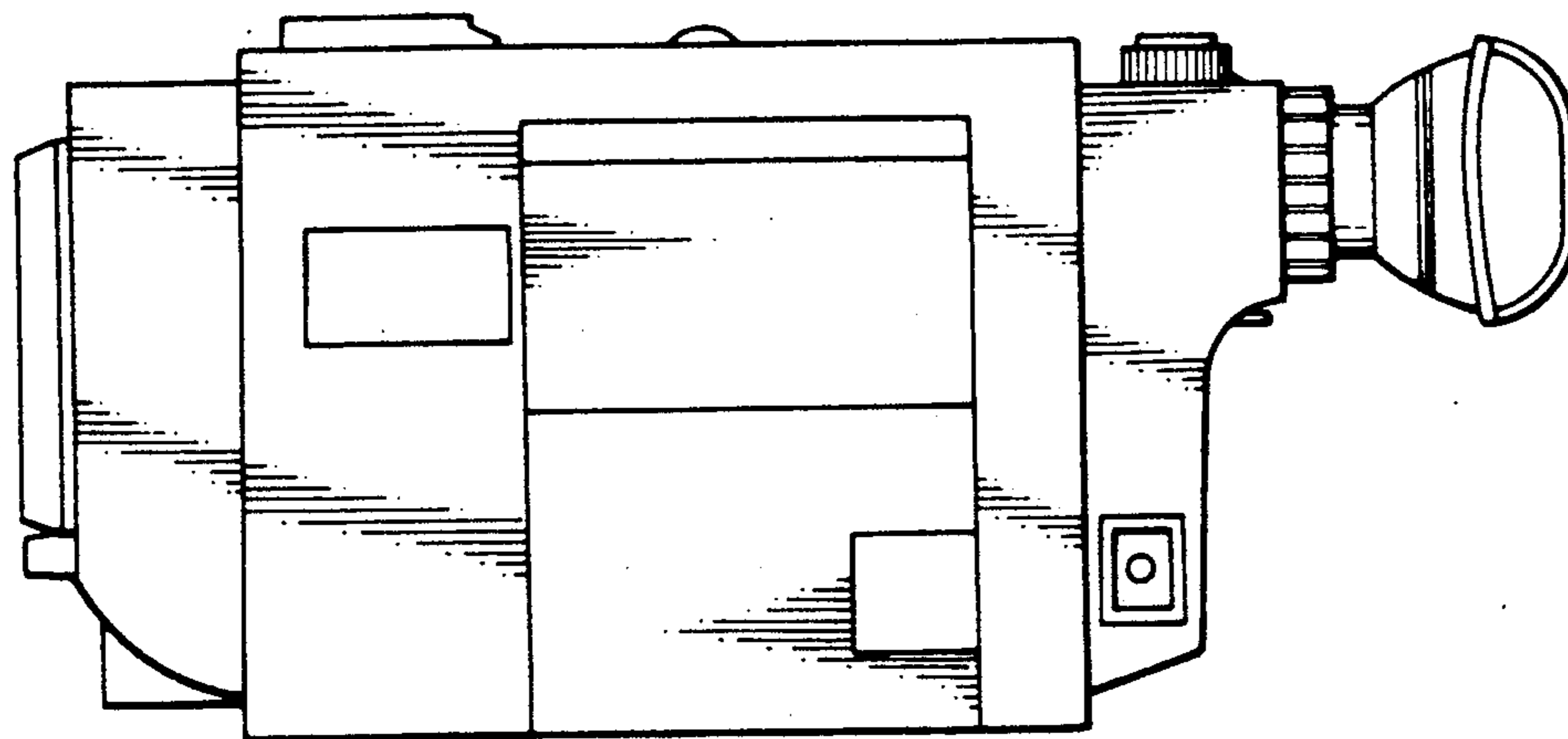


FIG. 7

