

United States Patent [19]

Lynnes et al.

[11] Patent Number: **Des. 317,926**

[45] Date of Patent: **** Jul. 2, 1991**

[54] **SKID STEER LOADER**

[75] Inventors: **Carman P. Lynnes, Leonard; Larry E. Albright, Gwinner; Joseph M. Mather; Orlan J. Loraas, both of Lisbon, all of N. Dak.; William R. Worrell, Hopkins, Minn.**

[73] Assignee: **Clark Equipment Company, South Bend, Ind.**

[**] Term: **14 Years**

[21] Appl. No.: **206,328**

[22] Filed: **Jun. 13, 1988**

[52] U.S. Cl. **D15/25; D15/23**

[58] Field of Search **D15/10, 22, 23, 24, D15/25, 26; 180/89.1, 89.12, 900**

[56] **References Cited**

U.S. PATENT DOCUMENTS

- D. 224,588 8/1972 Bauer .
- D. 247,814 5/1978 Johnson et al. D15/23

- D. 251,088 2/1979 Johnson et al. D15/23
- D. 271,397 11/1983 Kuhn et al. D15/25
- D. 272,826 2/1984 Cochran et al. D15/23
- 4,055,262 10/1977 Bauer et al. 180/89.12
- 4,705,449 11/1987 Christianson et al. D15/25

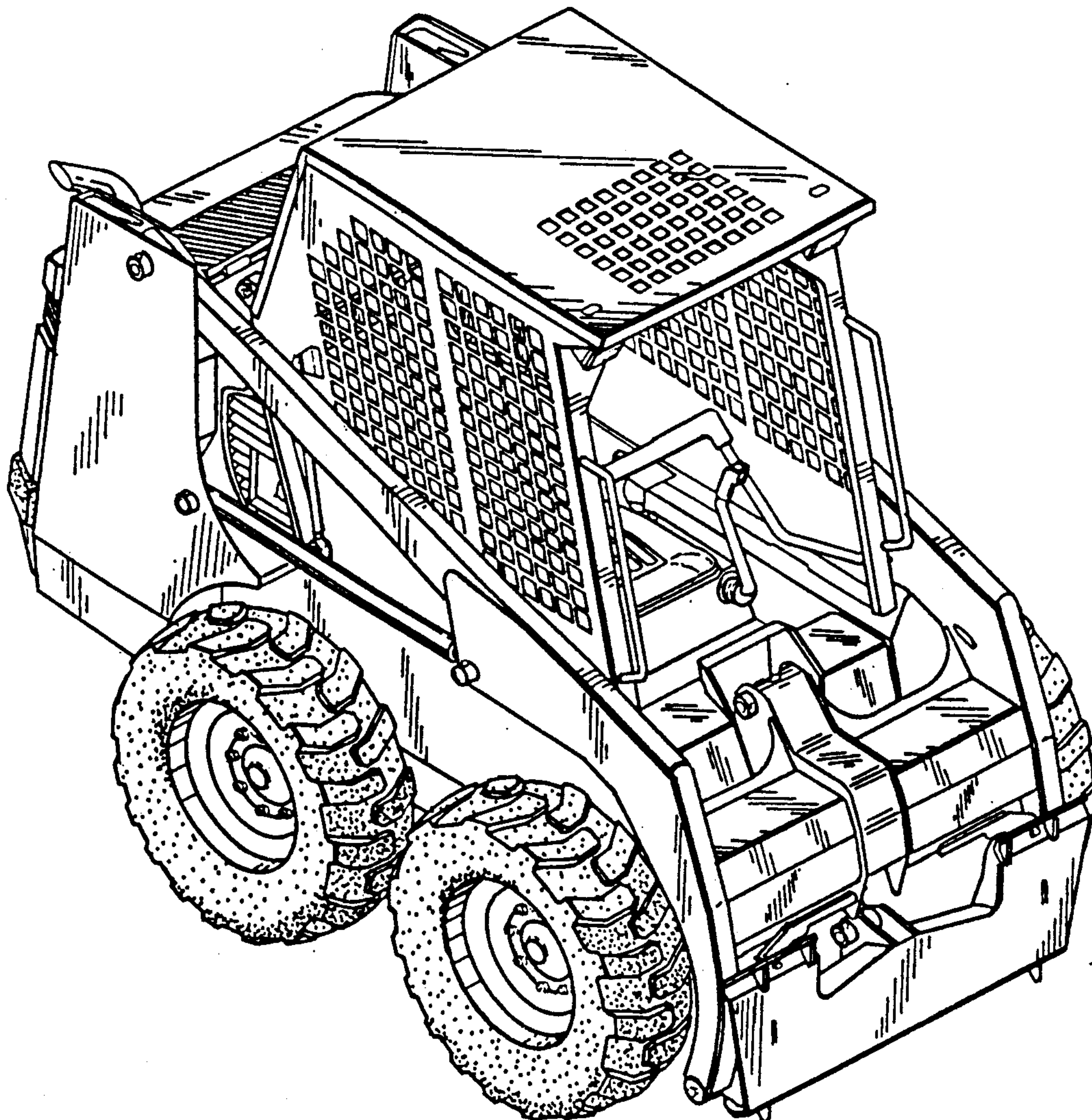
Primary Examiner—Bernard Ansher
Assistant Examiner—Sandra Morris
Attorney, Agent, or Firm—Kinney & Lange

[57] **CLAIM**

The ornamental design for a skid steer loader, as shown and described.

DESCRIPTION

FIG. 1 is a perspective view of a skid steer loader, showing our new design;
FIG. 2 is a front elevational view thereof;
FIG. 3 is a rear elevational view thereof;
FIG. 4 is a right side elevational view thereof;
FIG. 5 is a top plan view thereof;
FIG. 6 is a bottom plan view thereof; and
FIG. 7 is a left side elevational view thereof.



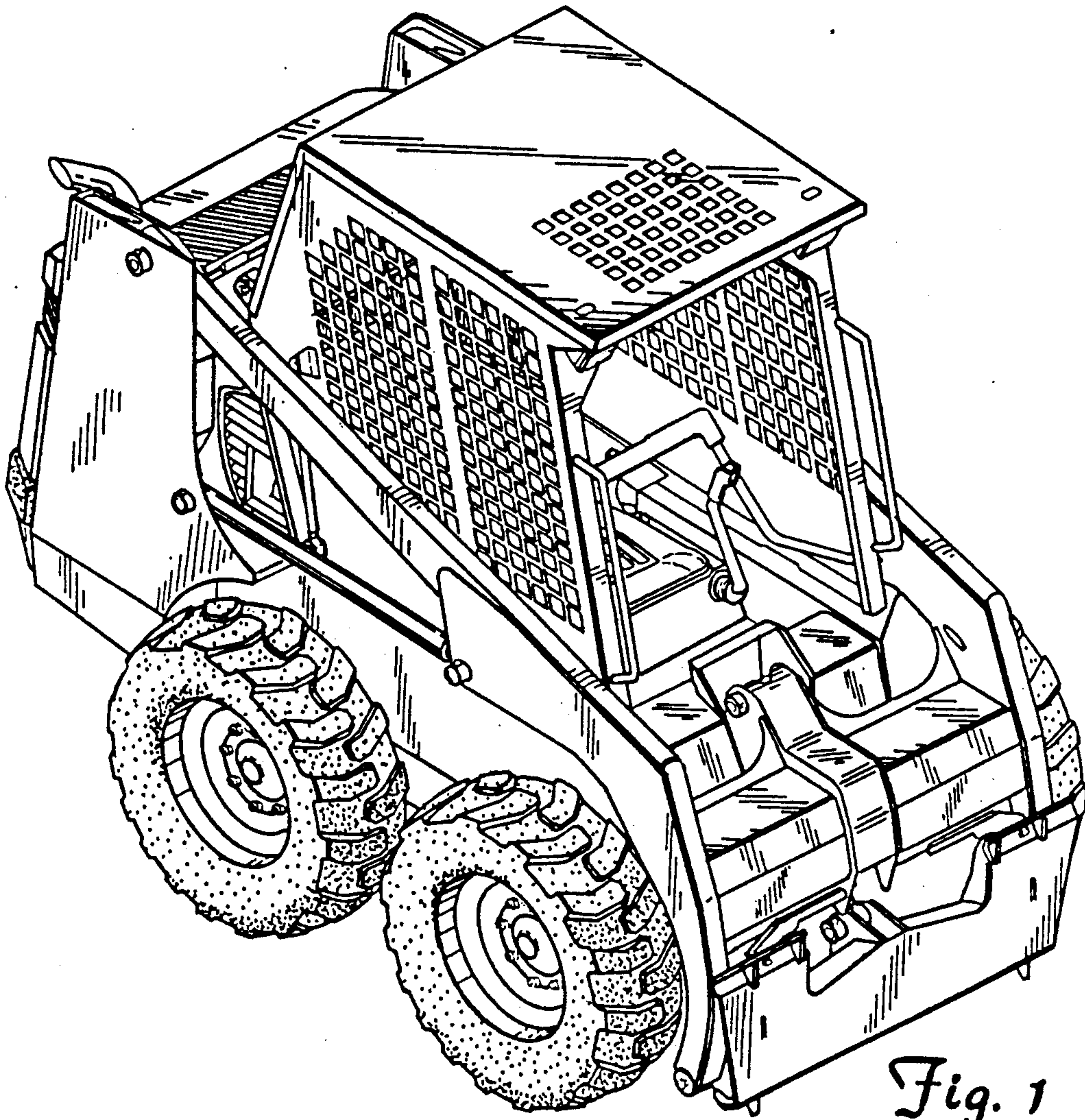


Fig. 1

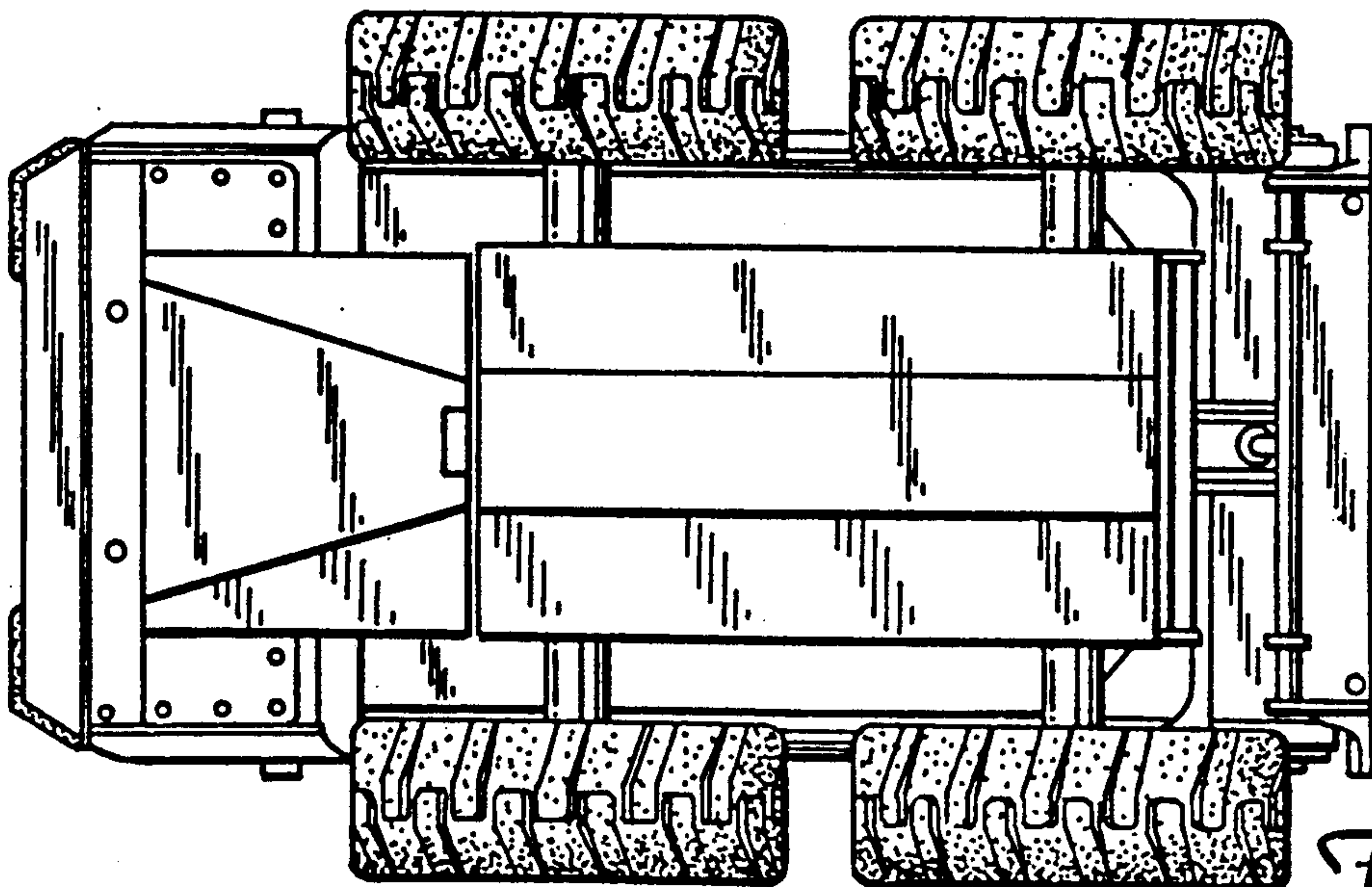


Fig. 6

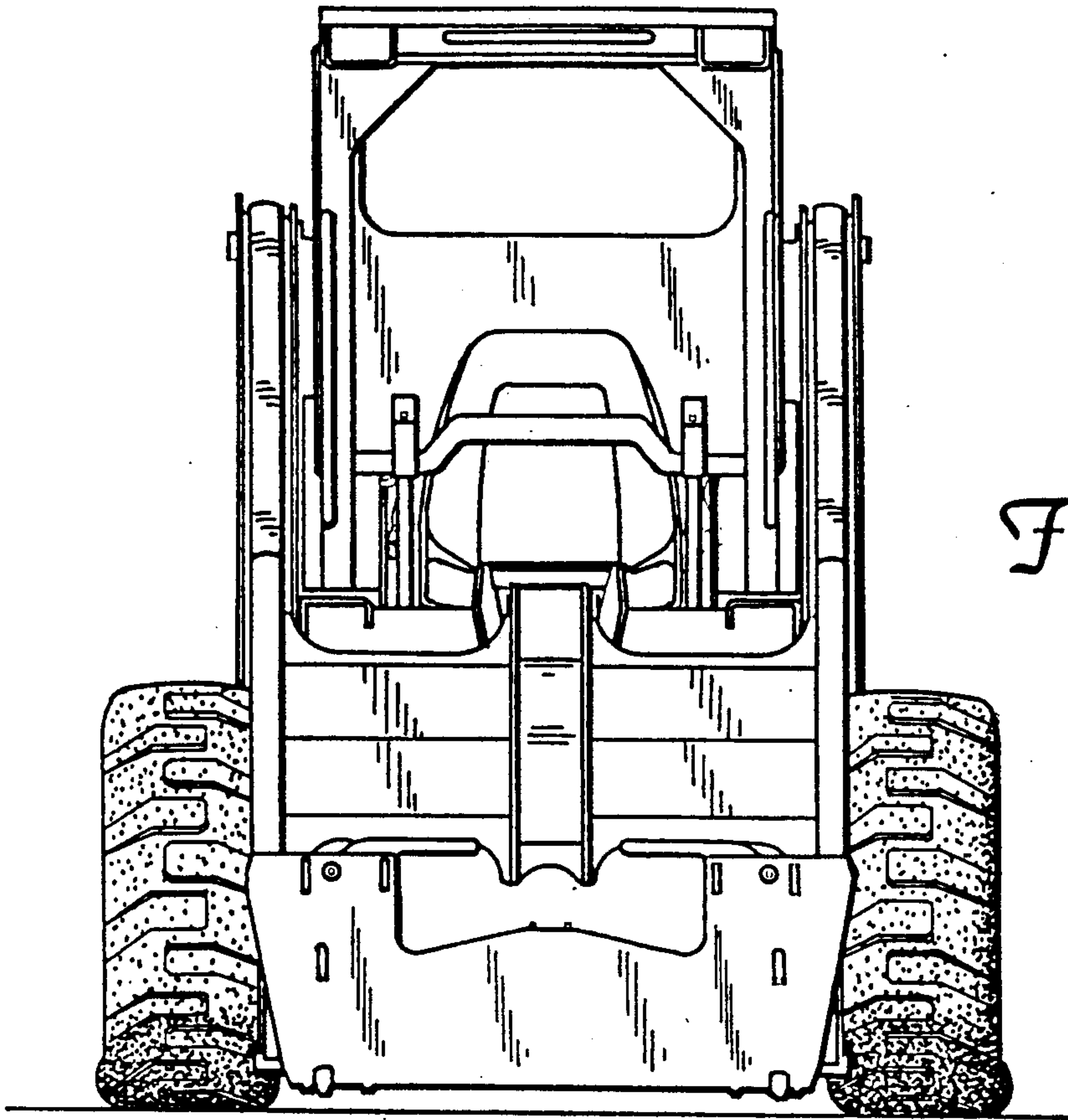


Fig. 2

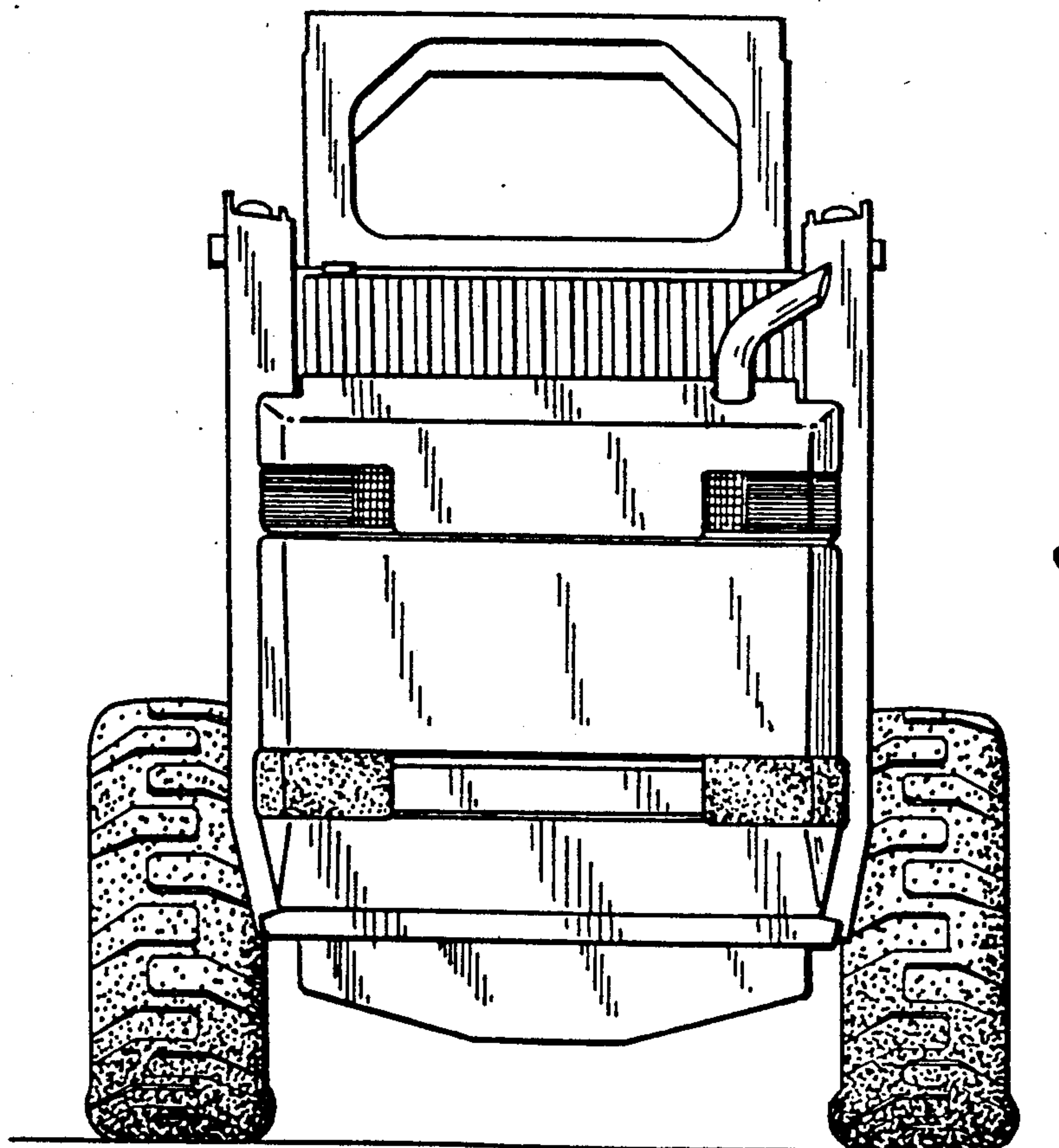


Fig. 3

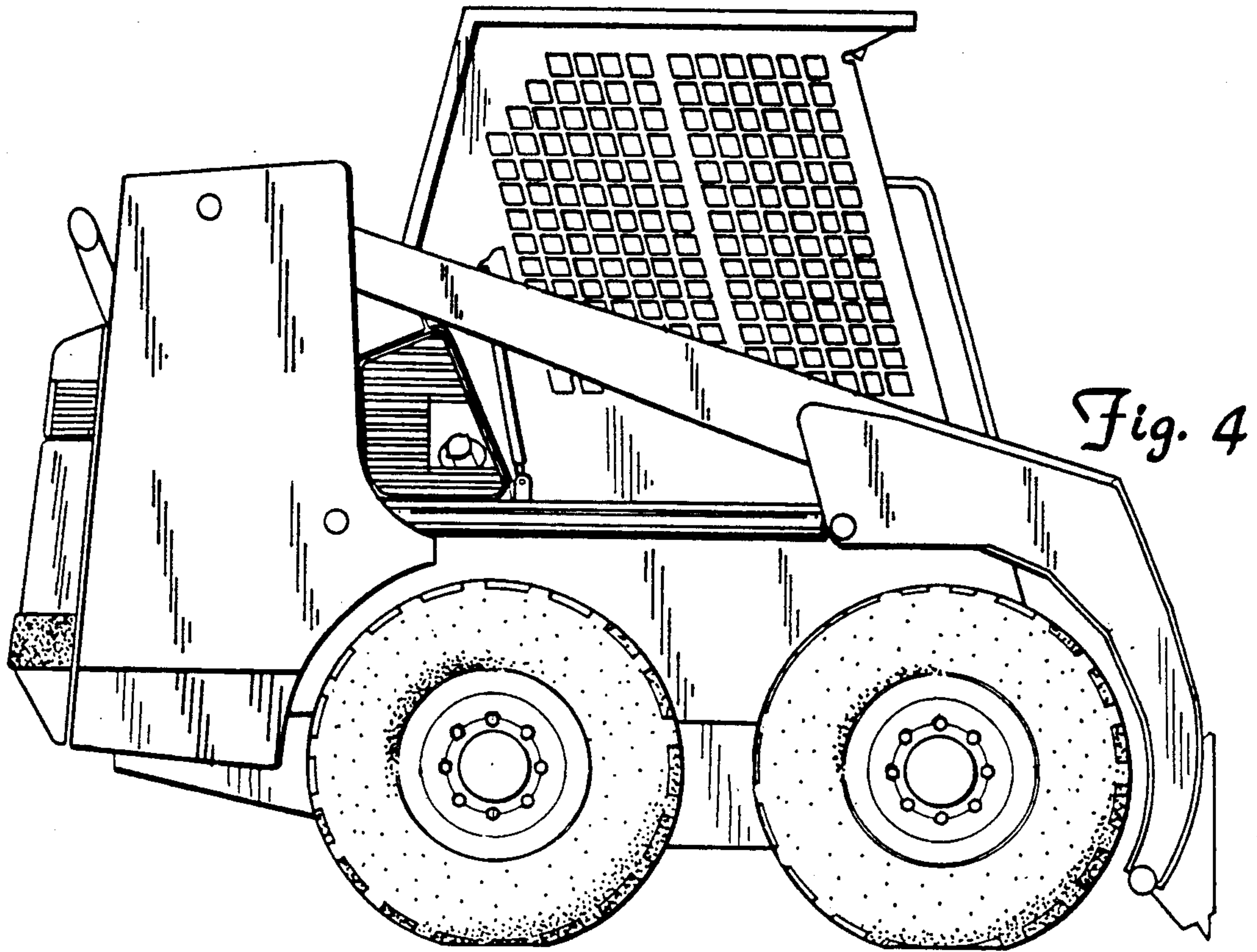


Fig. 4

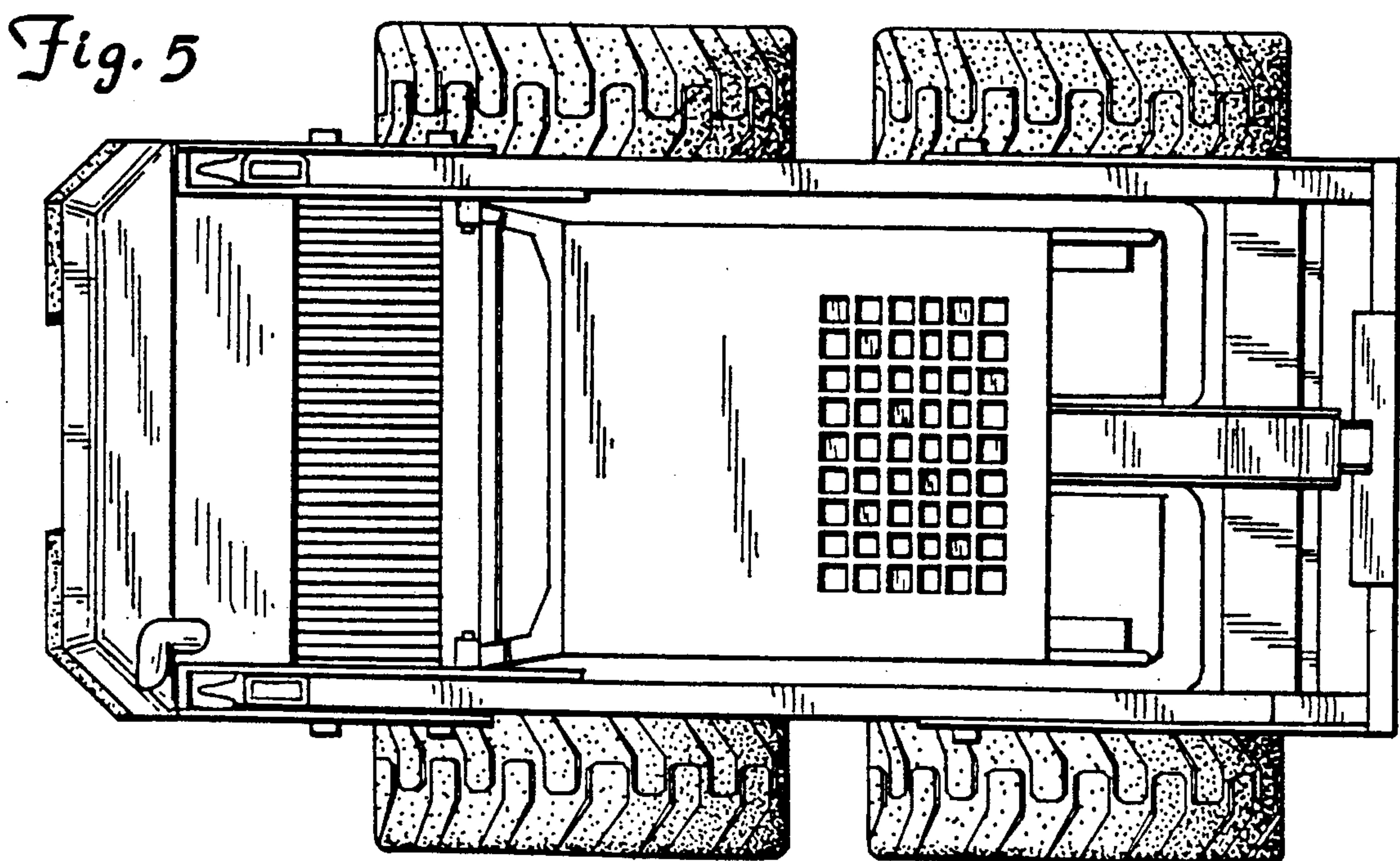


Fig. 5

Fig. 7

