

[54] **FUEL PUMP CANOPY**

[76] **Inventor: Robert B. Aiken, Sr., 11039 N. River Trail, Mequon, Wis. 53029**

[**] **Term: 14 Years**

[21] **Appl. No.: 361,018**

[22] **Filed: May 31, 1989**

[52] **U.S. Cl. D15/9.1**

[58] **Field of Search D15/9.1, 9.2, 9.3;
222/26-27, 30, 25, 37; 235/94 R, 94 A**

[56] **References Cited**

U.S. PATENT DOCUMENTS

D. 309,144 7/1990 Austin et al. D15/9.2
4,576,312 3/1986 Swick, Jr. D15/9.2

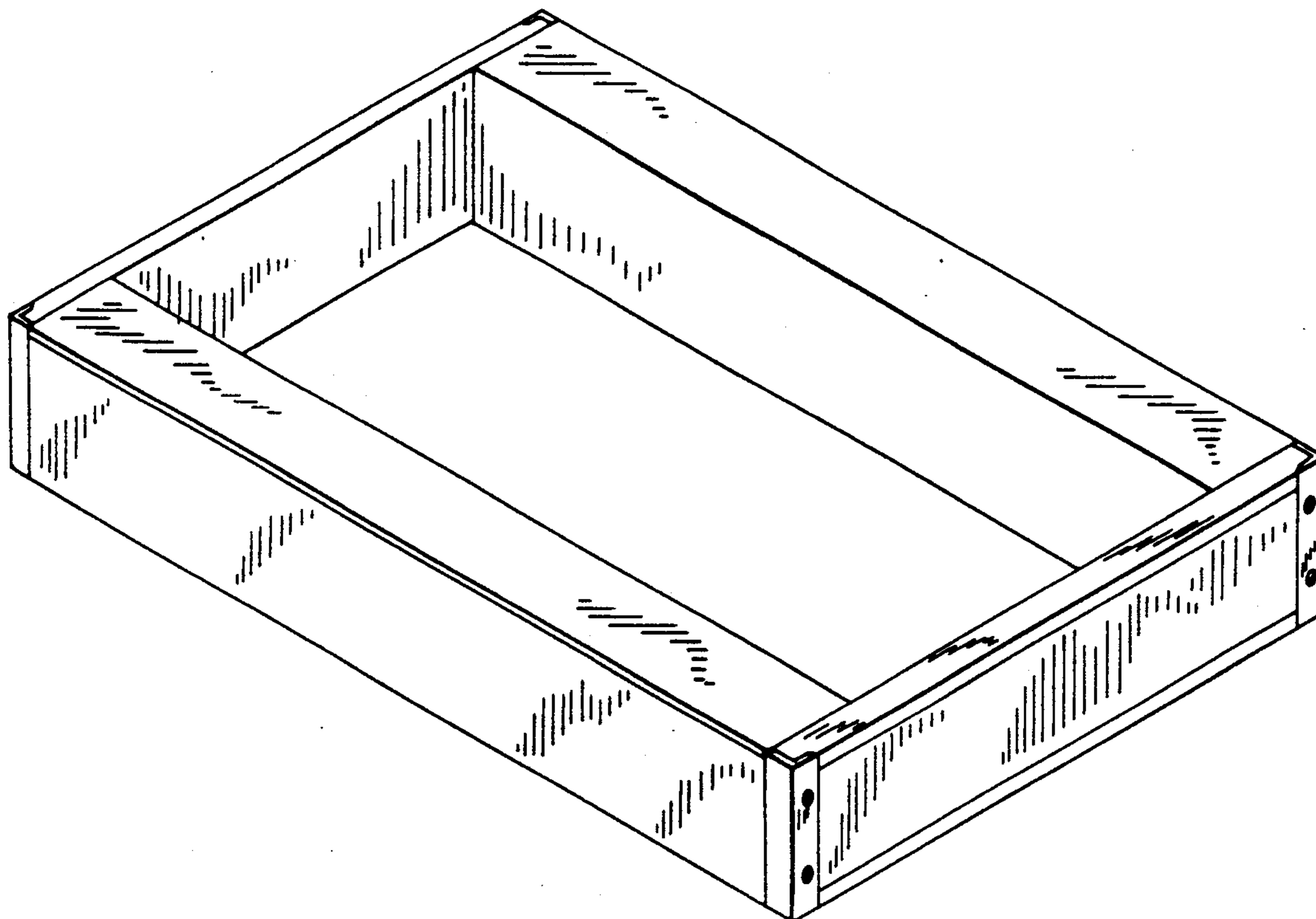
Primary Examiner—Louis S. Zarfes
Assistant Examiner—R. T. Seifert
Attorney, Agent, or Firm—Andrus, Scales, Starke & Sawall

[57] **CLAIM**

The ornamental design for a fuel pump canopy, as shown.

DESCRIPTION

FIG. 1 is a perspective view of a fuel pump canopy showing my new design; the broken line showing of a gasoline pump is for illustrative purposes only and forms no part of the claimed design; FIG. 2 is a top perspective view; FIG. 3 is an end elevational view; FIG. 4 is a side elevational view; and FIG. 5 is a top plan view.



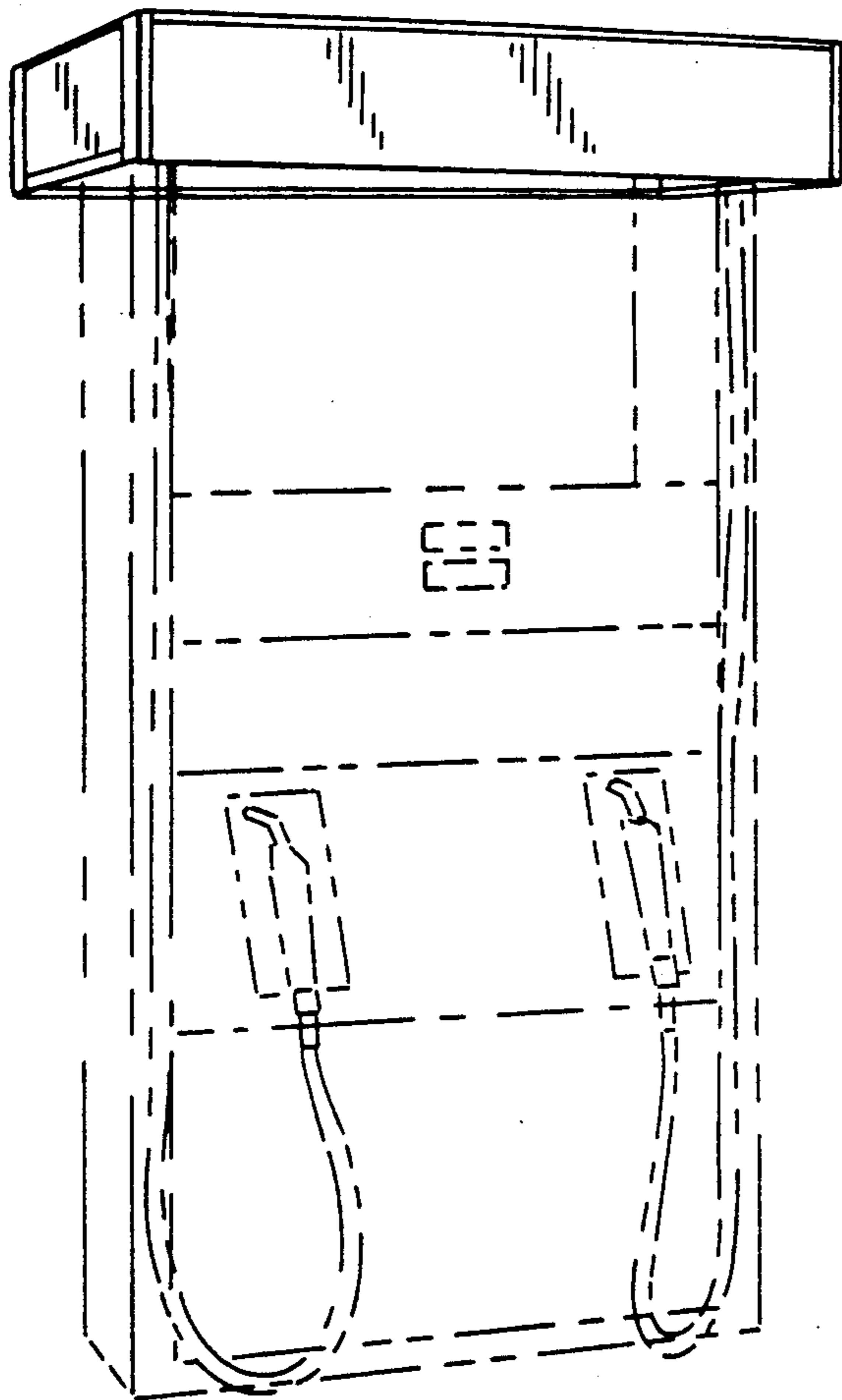


FIG. 1

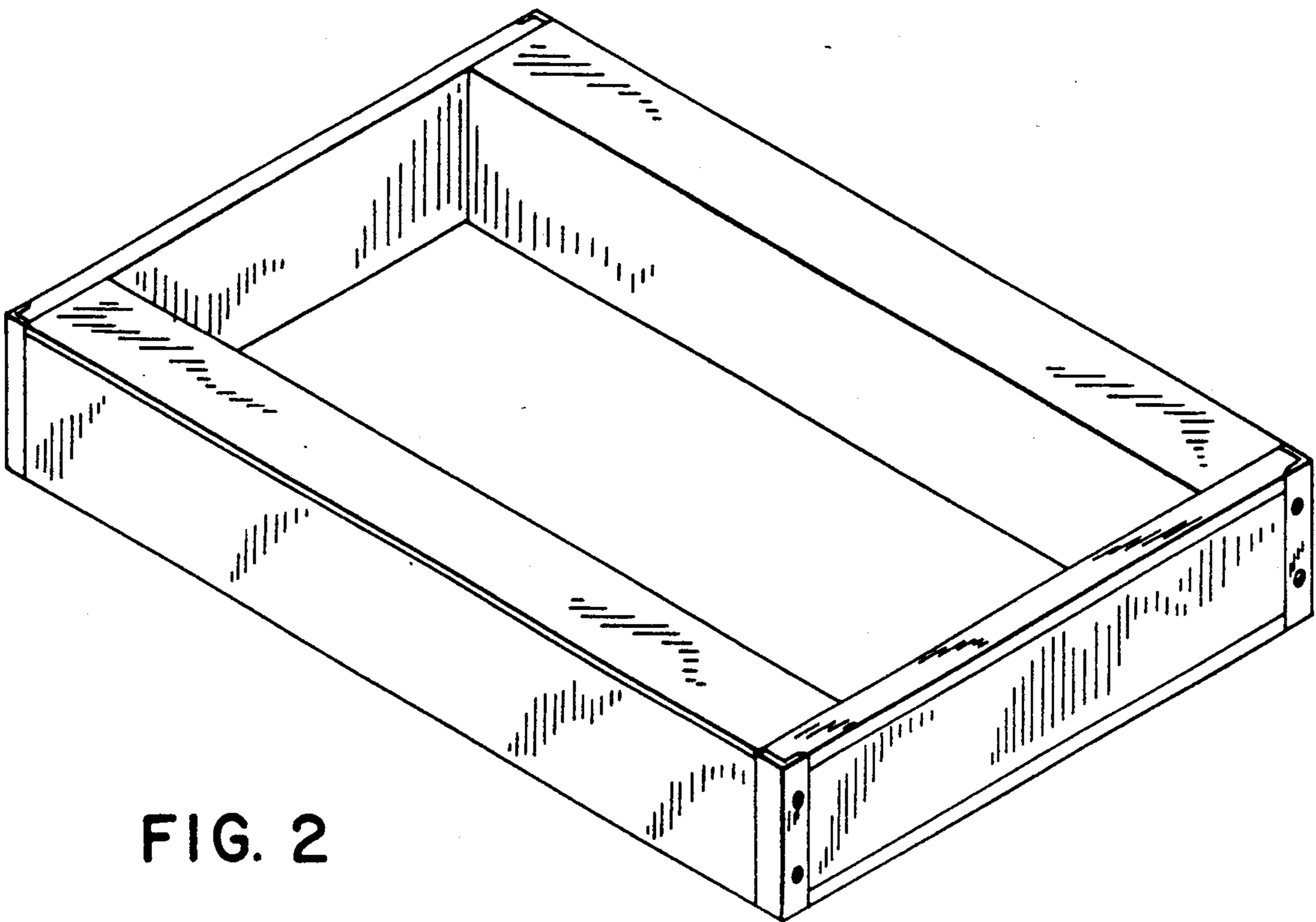


FIG. 2

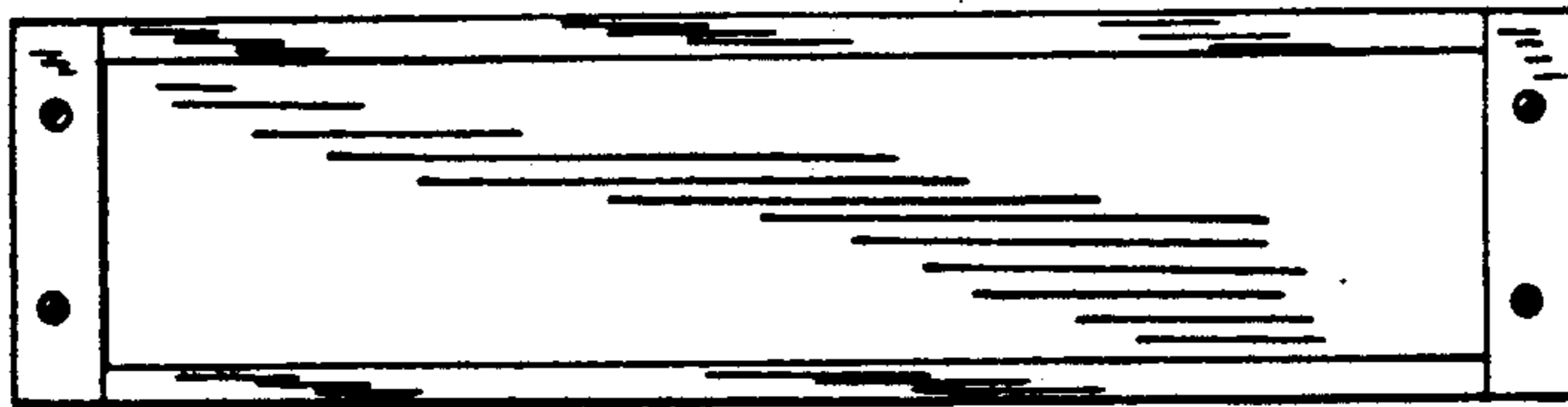


FIG. 3

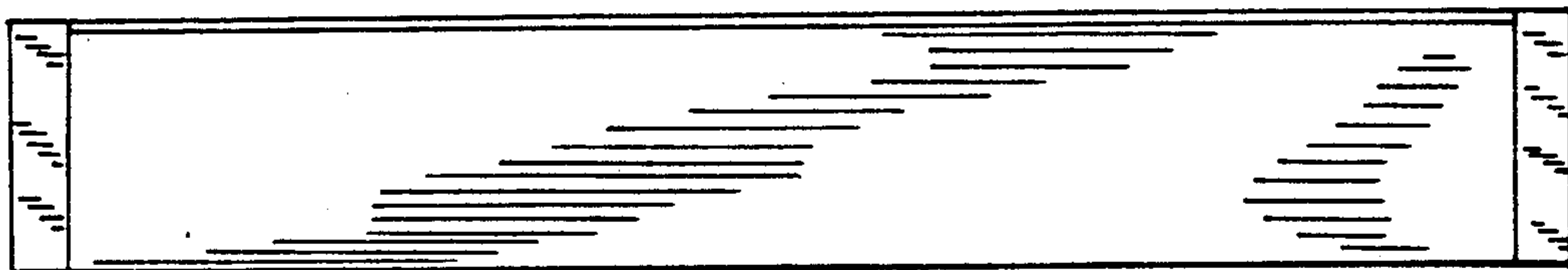


FIG. 4

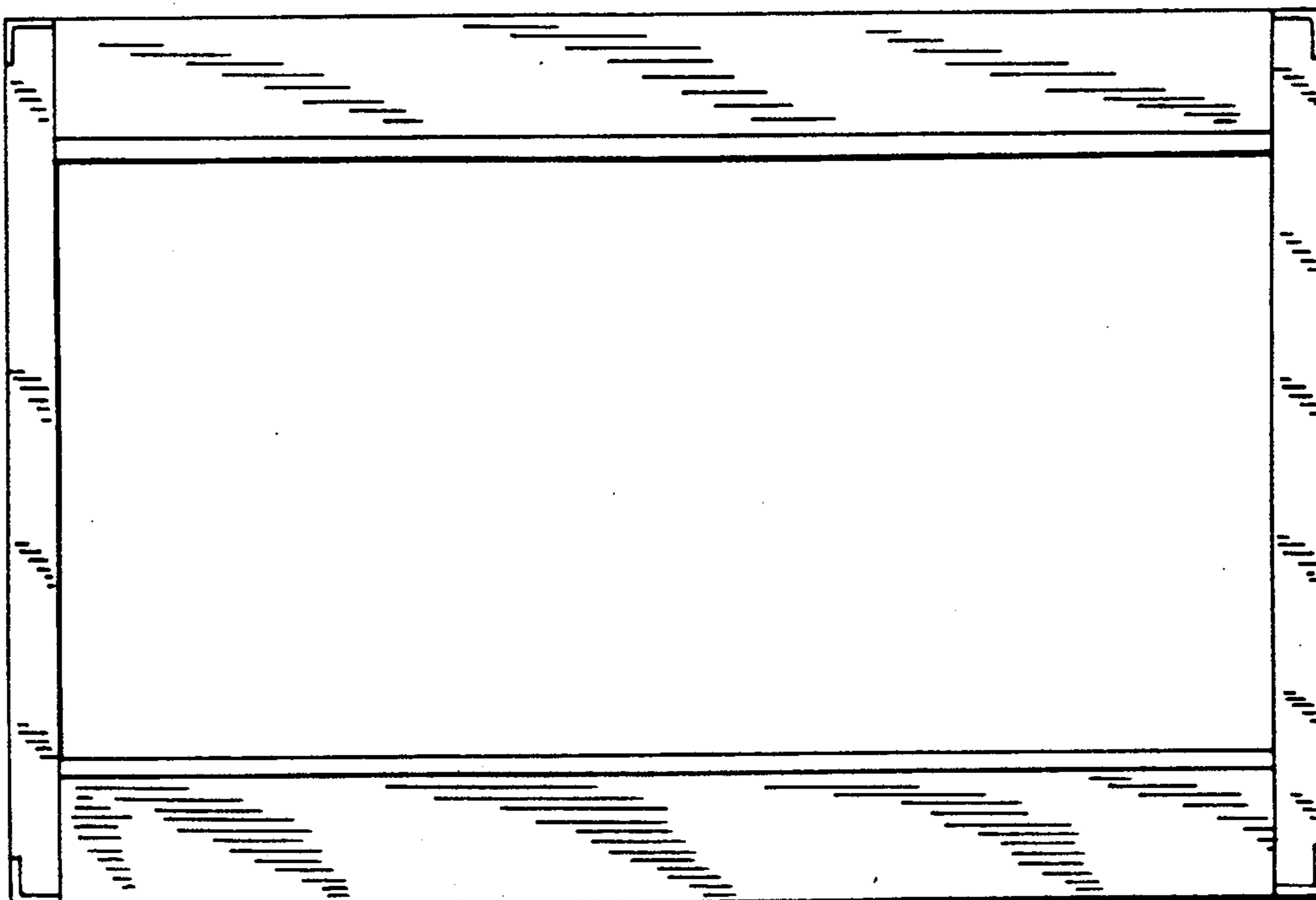


FIG. 5