

[54] CONSOLE FOR A TELEPHONE SYSTEM

[75] Inventors: Jerry W. Fuqua; James M. Sharp, Jr., both of Corinth, Miss.

[73] Assignee: International Telecommunication Corp., Memphis, Tenn.

[\*\*] Term: 14 Years

[21] Appl. No.: 553,945

[22] Filed: Jul. 16, 1990

[52] U.S. Cl. .... D14/241

[58] Field of Search ..... D14/142, 241; 379/440, 379/436, 432, 428, 414, 420

[56] References Cited

U.S. PATENT DOCUMENTS

D. 212,230	9/1968	Kamp	.....	D14/241
D. 251,296	3/1979	Haas	.....	D14/241
D. 266,086	9/1982	Foggia et al.	.....	D14/241
D. 268,934	5/1983	Walton	.....	D14/241
D. 271,394	11/1983	Brown et al.	.....	D14/241
D. 282,745	2/1986	Brown	.....	D14/241
D. 303,801	10/1989	Kido et al.	.....	D14/142
D. 306,027	2/1990	Gagnon	.....	D14/241
D. 306,859	3/1990	Helstab et al.	.....	D14/241
D. 312,461	11/1990	Ando	.....	D14/241
D. 313,602	1/1991	Weber	.....	D14/241

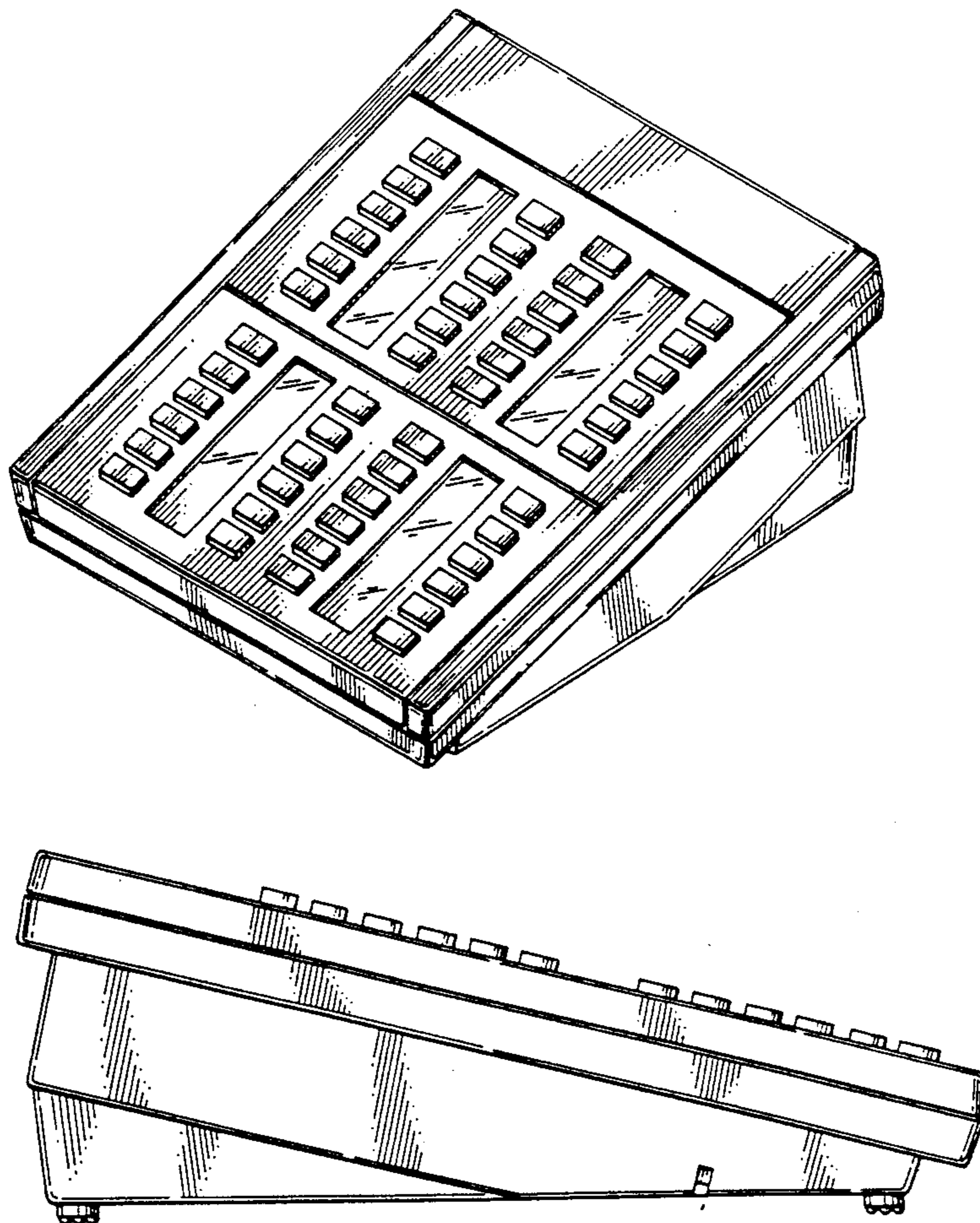
Primary Examiner—Horace B. Fay, Jr.  
Attorney, Agent, or Firm—Peter C. Van Der Sluys

[57] CLAIM

The ornamental design for a console for a telephone system, as shown and described.

DESCRIPTION

FIG. 1 is a front, top and right side perspective view of a console for a telephone system showing our new design;  
 FIG. 2 is a top plan view thereof;  
 FIG. 3 and 4 are respectively front and rear elevational views thereof;  
 FIG. 5 and 6 are respectively right and left side elevational views thereof;  
 FIG. 7 is a bottom plan view thereof;  
 FIG. 8 is a front, top and right side perspective view thereof with the bottom element in an alternate position;  
 FIG. 9 is an elevational view thereof taken from the left of FIG. 8;  
 FIG. 10 is a bottom perspective view of the console as shown in FIG. 8; and  
 FIG. 11 is a top plan view of a second embodiment of the console having an alternative button pattern.  
 The second embodiment of the console shown in FIG. 11 is identical to the first embodiment except for the alternate button pattern.



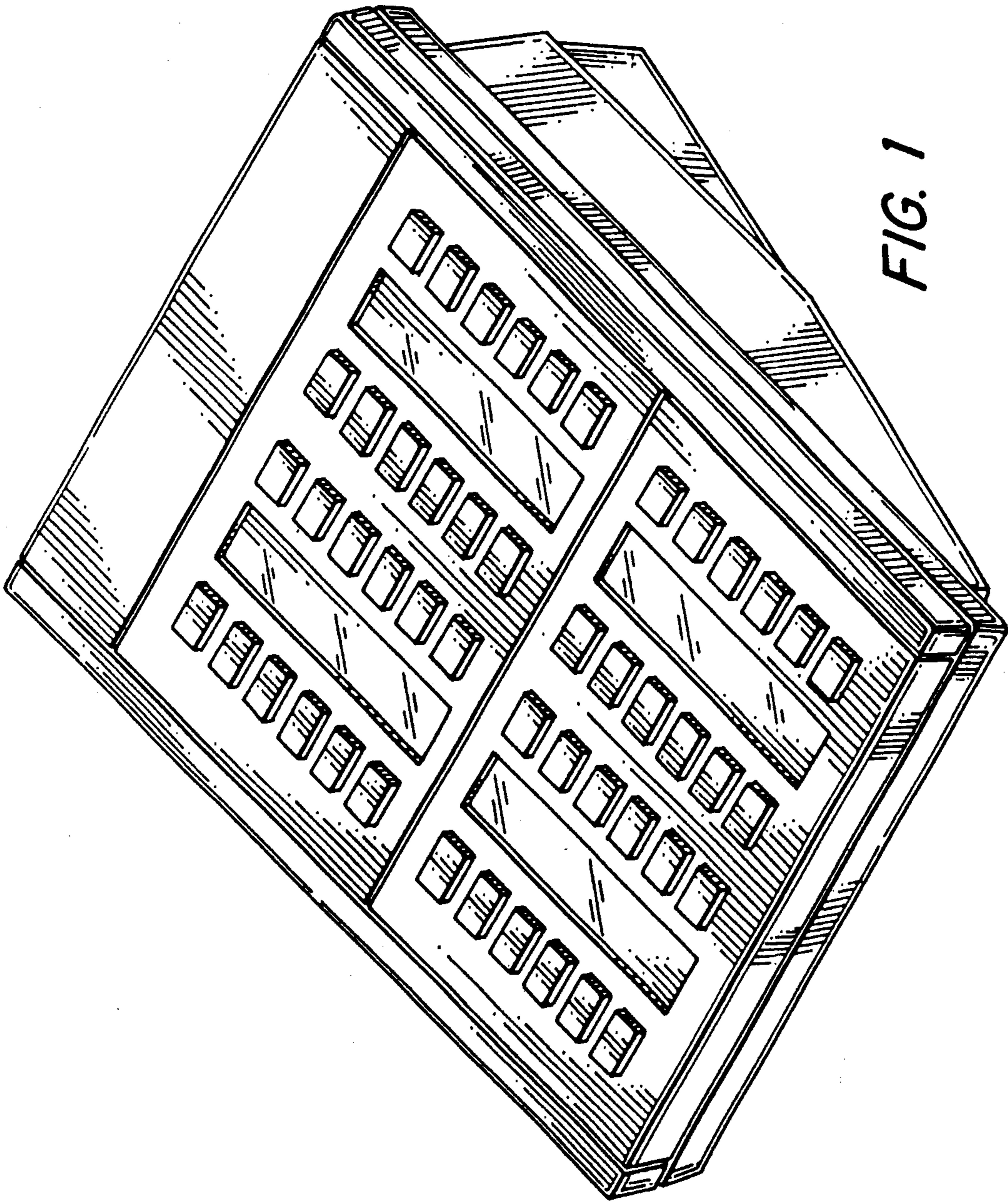
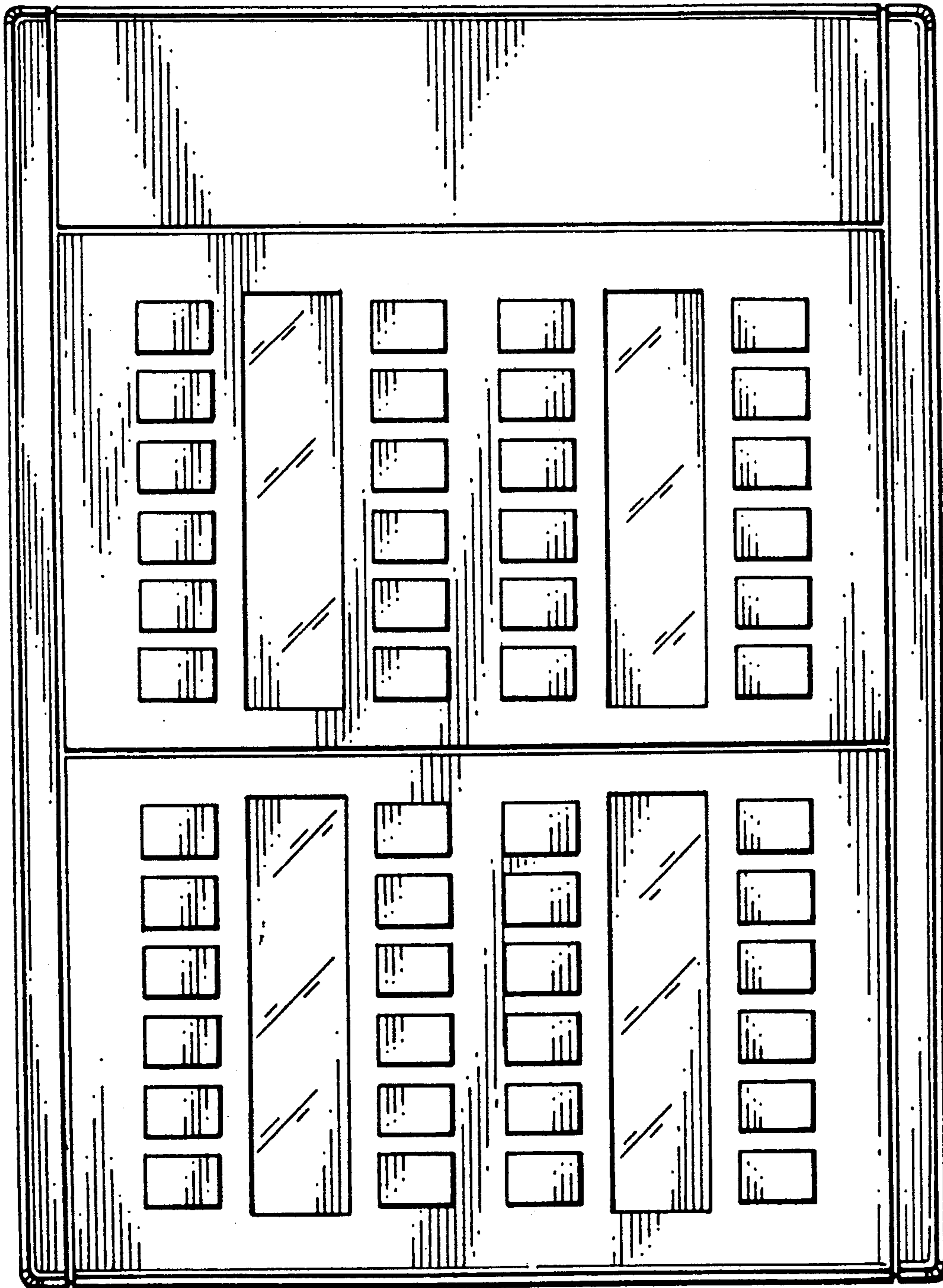


FIG. 1

FIG. 2



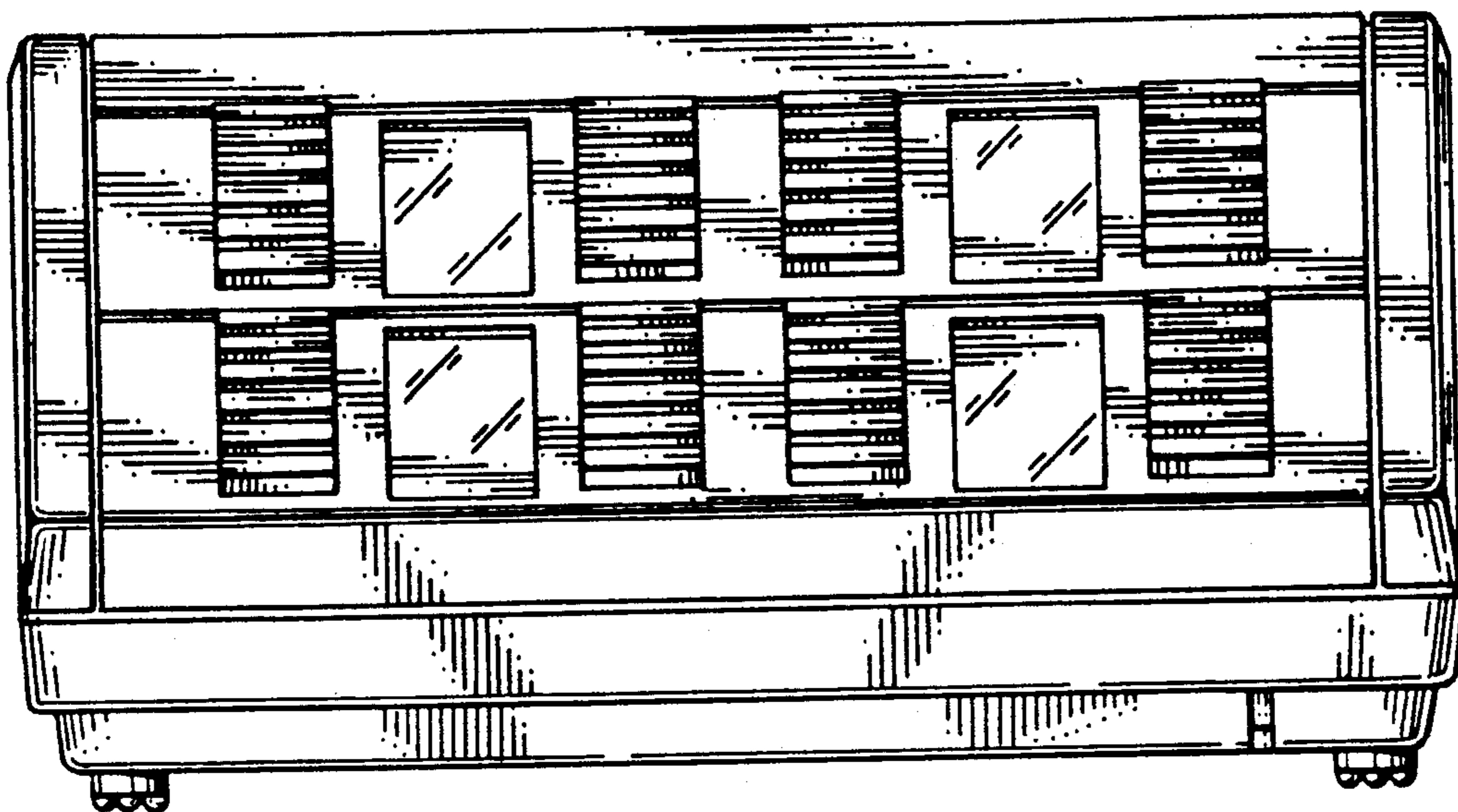


FIG. 3

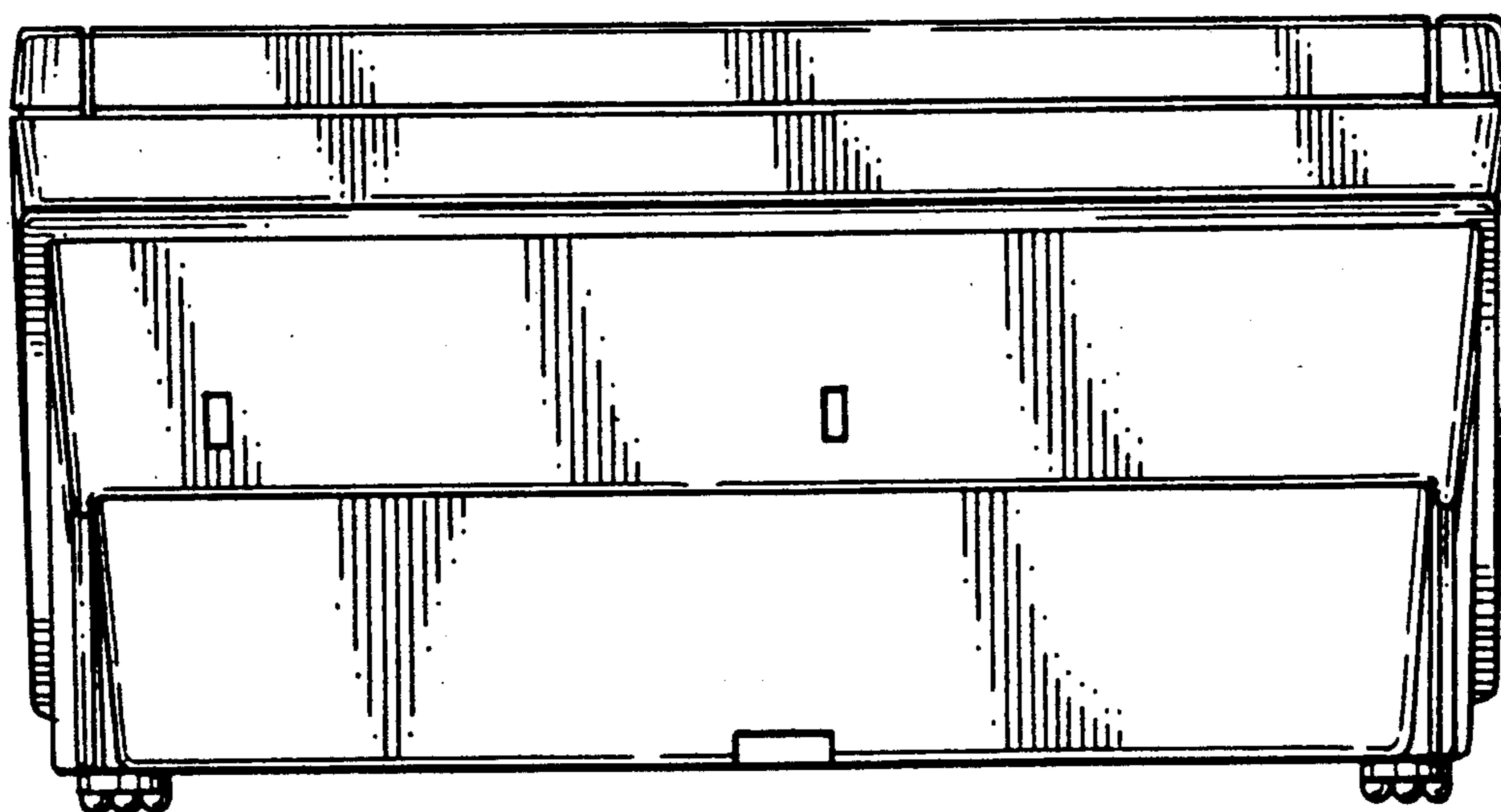


FIG. 4

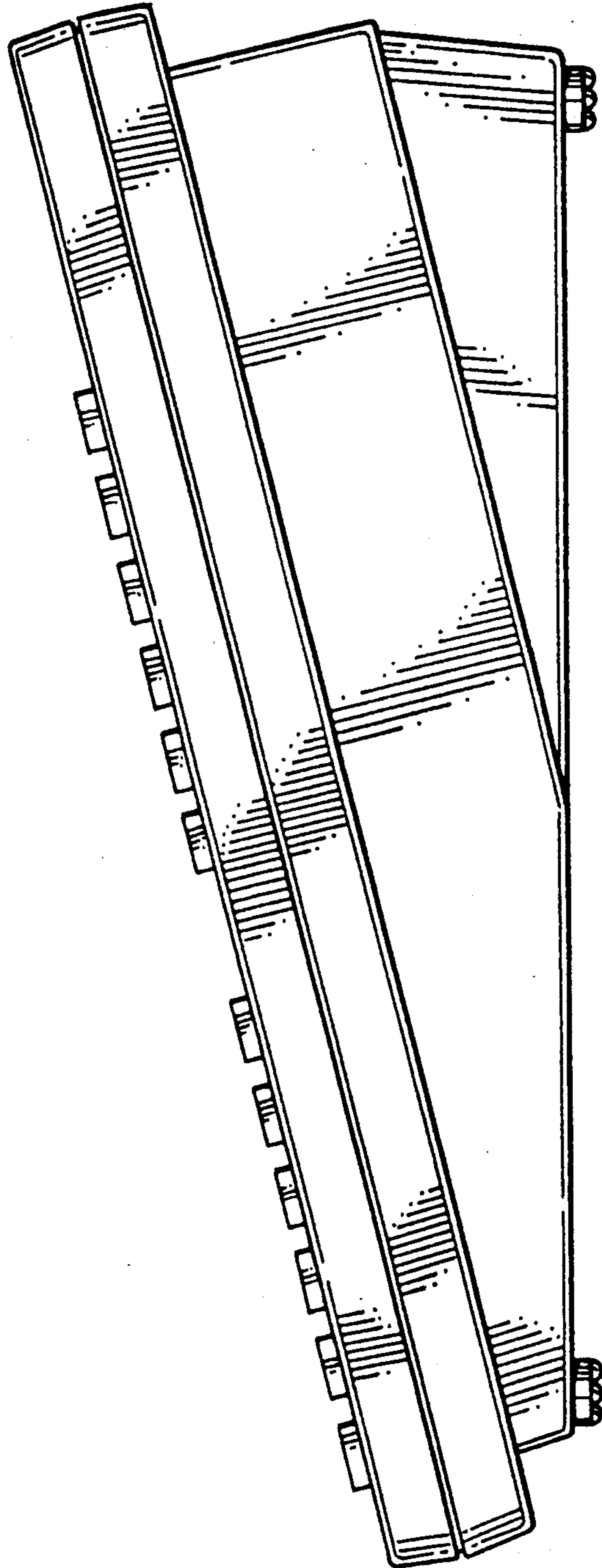


FIG. 5

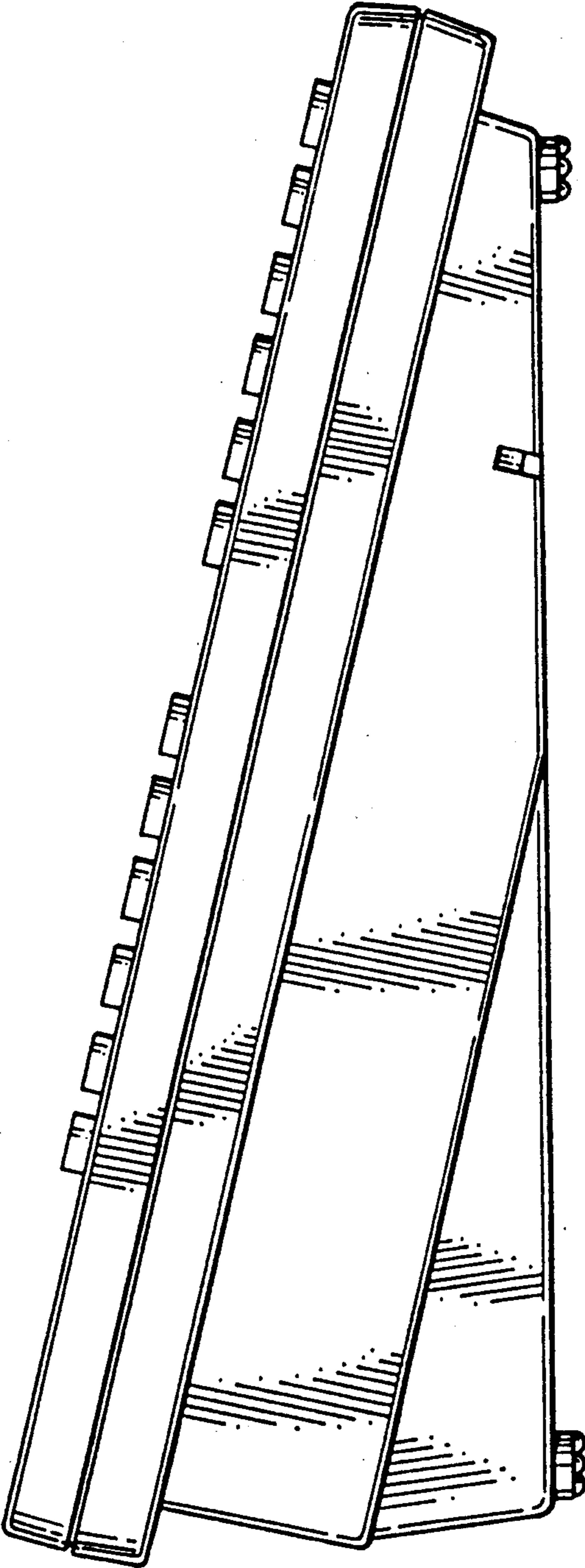
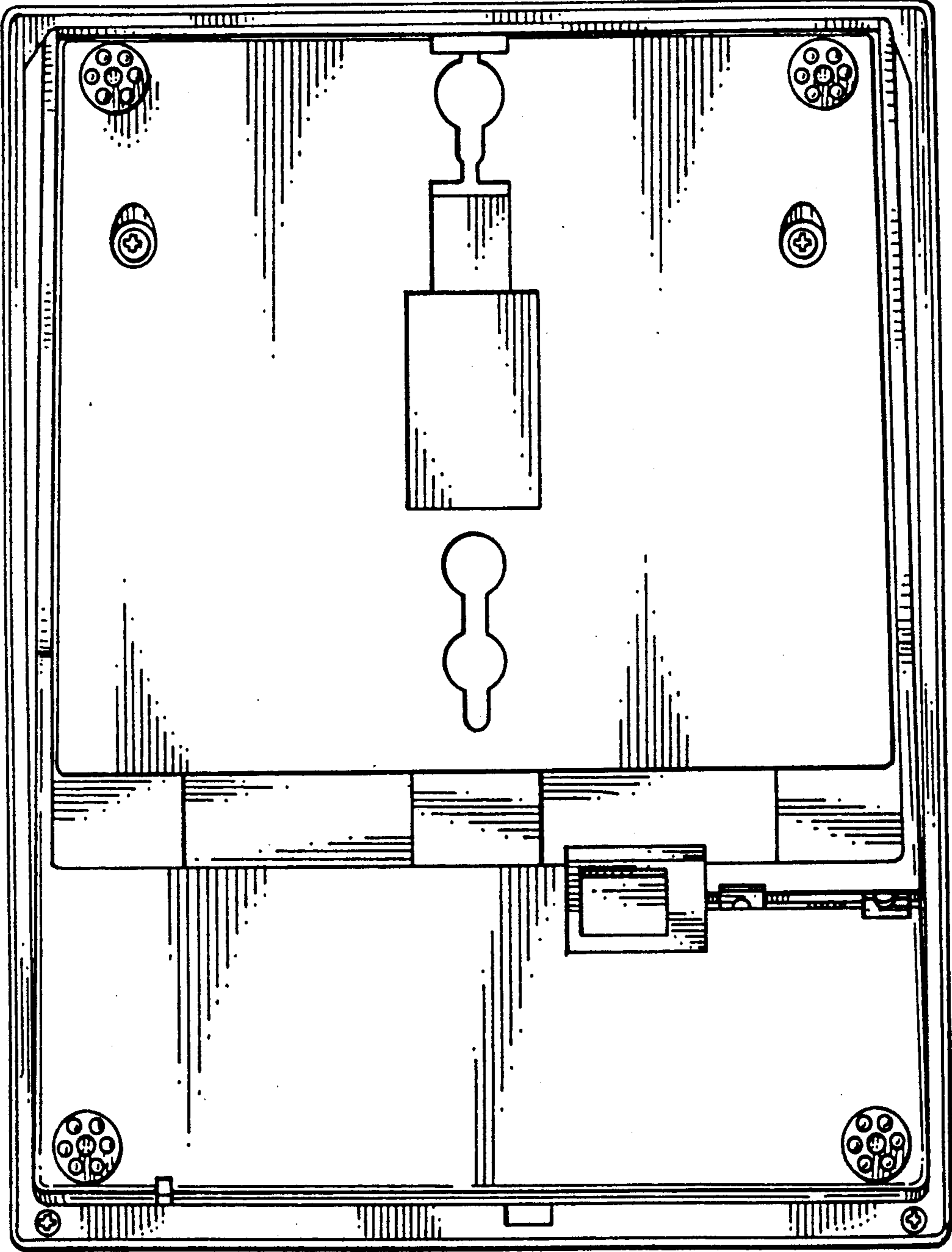


FIG. 6

FIG. 7



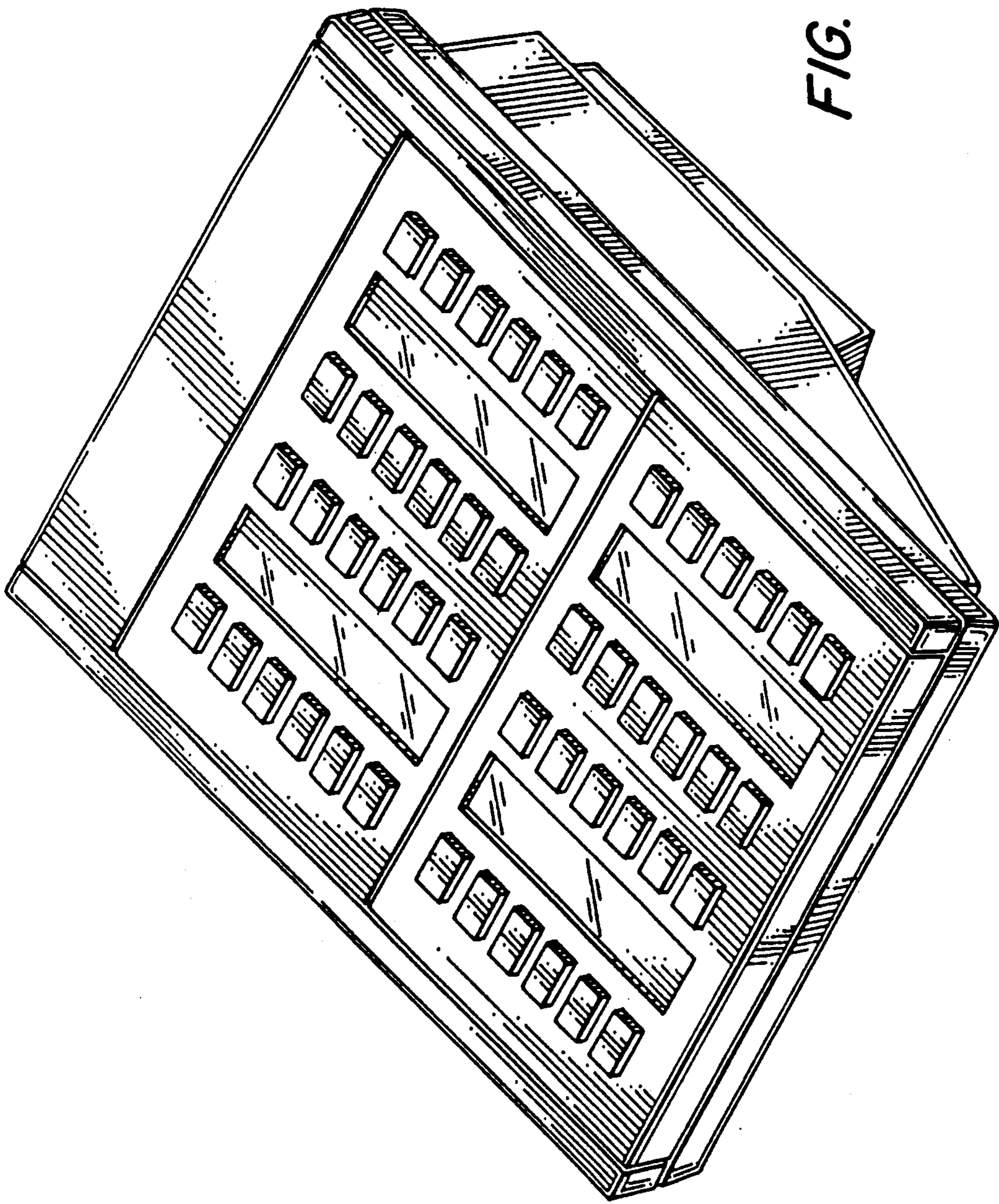
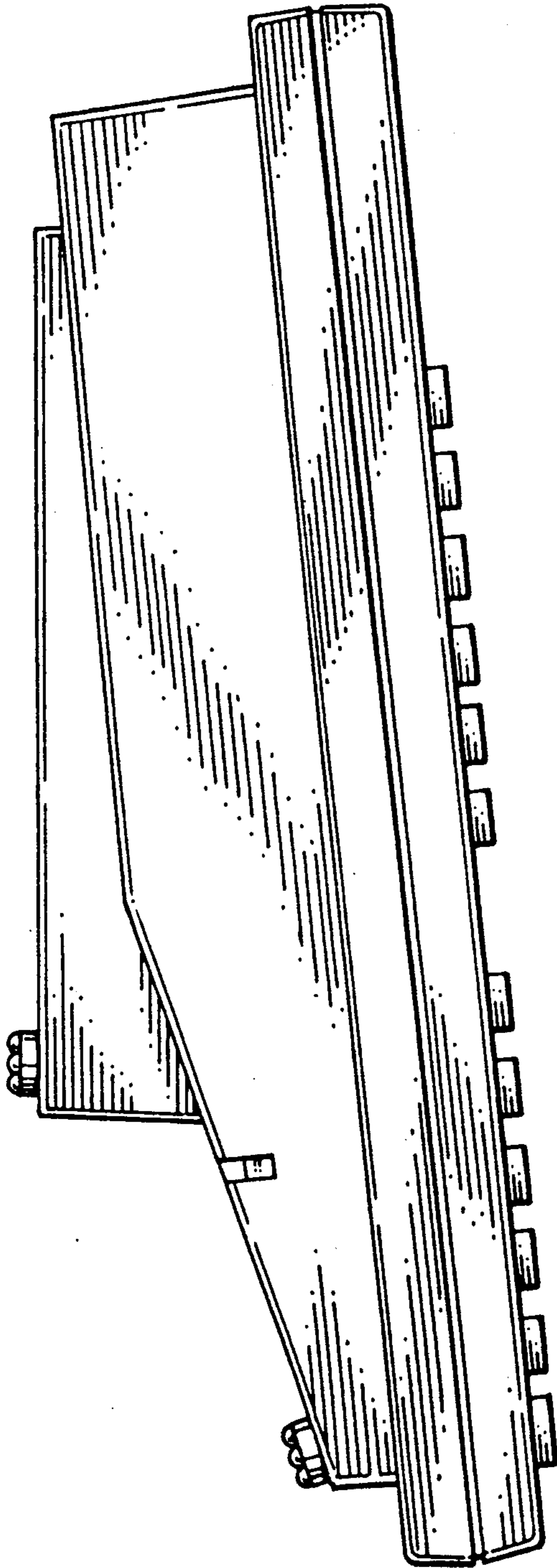
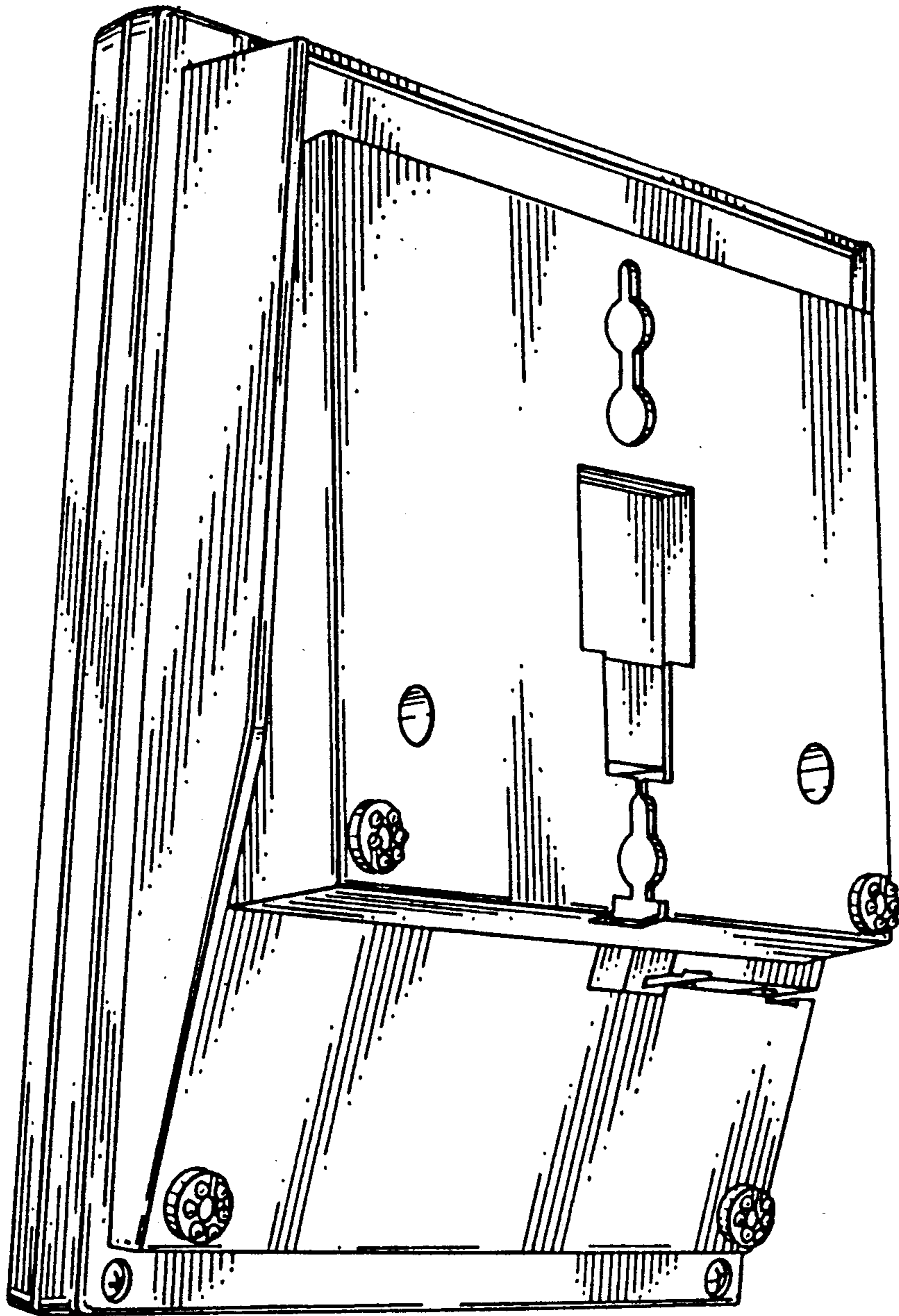


FIG. 8





*FIG. 9*



*FIG. 10*

FIG. 11

